



US00D728466S

(12) **United States Design Patent**
Ehrsam et al.

(10) **Patent No.:** **US D728,466 S**
(45) **Date of Patent:** **** May 5, 2015**

(54) **UMBRELLA SOLAR PANEL CAP AND USB CHARGING STATION**

(71) Applicants: **Summer N. Ehrsam**, La Mesa, CA (US); **Brian R. Presley**, Escondido, CA (US)

(72) Inventors: **Summer N. Ehrsam**, La Mesa, CA (US); **Brian R. Presley**, Escondido, CA (US)

(**) Term: **14 Years**

(21) Appl. No.: **29/491,331**

(22) Filed: **May 20, 2014**

(51) **LOC (10) Cl.** **13-02**

(52) **U.S. Cl.**
USPC **D13/102**

(58) **Field of Classification Search**
USPC D13/102, 101, 118, 184, 199; D3/5; 126/569, 571, 578, 580, 609, 610, 611, 126/612, 634, 640, 643, 652, 658, 680-685, 126/689, 699; 136/206, 243-252, 256, 257, 136/260, 261; 135/15.1, 20.3
See application file for complete search history.

(56) **References Cited**

U.S. PATENT DOCUMENTS

D248,042 S * 5/1978 Ouelette D13/102
D341,831 S * 11/1993 Mozdzanowski D14/168

D558,139 S * 12/2007 Sharma et al. D13/102
D560,606 S * 1/2008 McClintock et al. D13/102
D590,768 S * 4/2009 Feng et al. D13/102
D668,443 S * 10/2012 Sims, II D3/5
D688,621 S * 8/2013 Mozzardi et al. D13/102
D693,561 S * 11/2013 Akin et al. D3/5
2007/0283987 A1 * 12/2007 Reyes et al. 135/16

* cited by examiner

Primary Examiner — Derrick Holland

(74) *Attorney, Agent, or Firm* — Eric A. Hanscom; Todd J. Langford

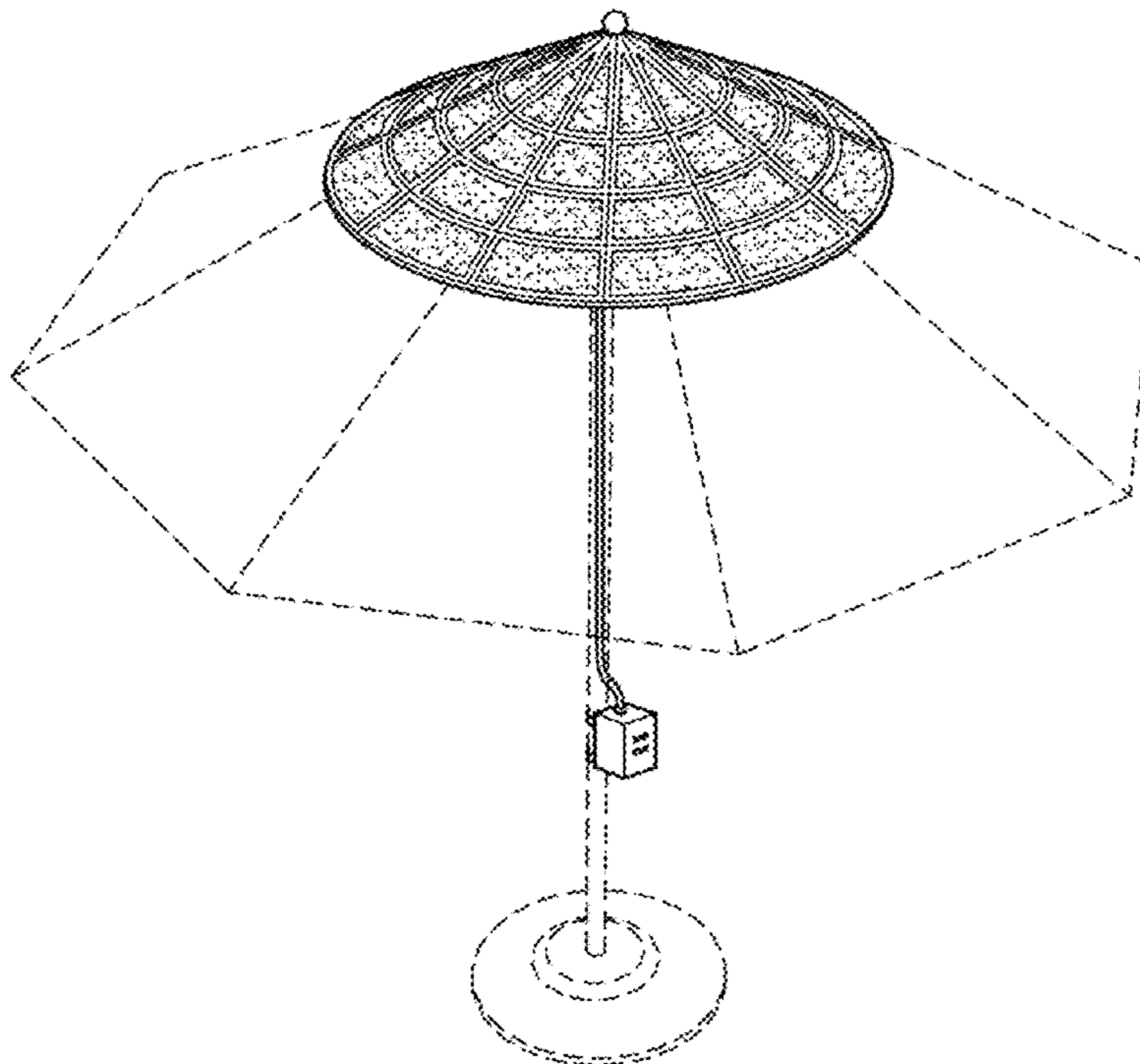
(57) **CLAIM**

The ornamental design for an umbrella solar panel cap and USB charging station, as shown and described.

DESCRIPTION

FIG. 1 is a top, front and left side perspective view of a umbrella solar panel cap and USB charging station showing our new design in environmental use;
FIG. 2 is a front view of the umbrella solar panel cap with USB charging station;
FIG. 3 is a left side elevation view of the umbrella solar panel cap with USB charging station, with right side elevation view being a mirror image of FIG. 3;
FIG. 4 is a rear view of the umbrella solar panel cap with USB charging station;
FIG. 5 is a top plan view of umbrella solar panel cap with USB charging station; and,
FIG. 6 is a bottom plan view of the umbrella solar panel cap with USB charging station.
The broken lines shown represent unclaimed subject matter and form no part of the claimed design.

1 Claim, 6 Drawing Sheets



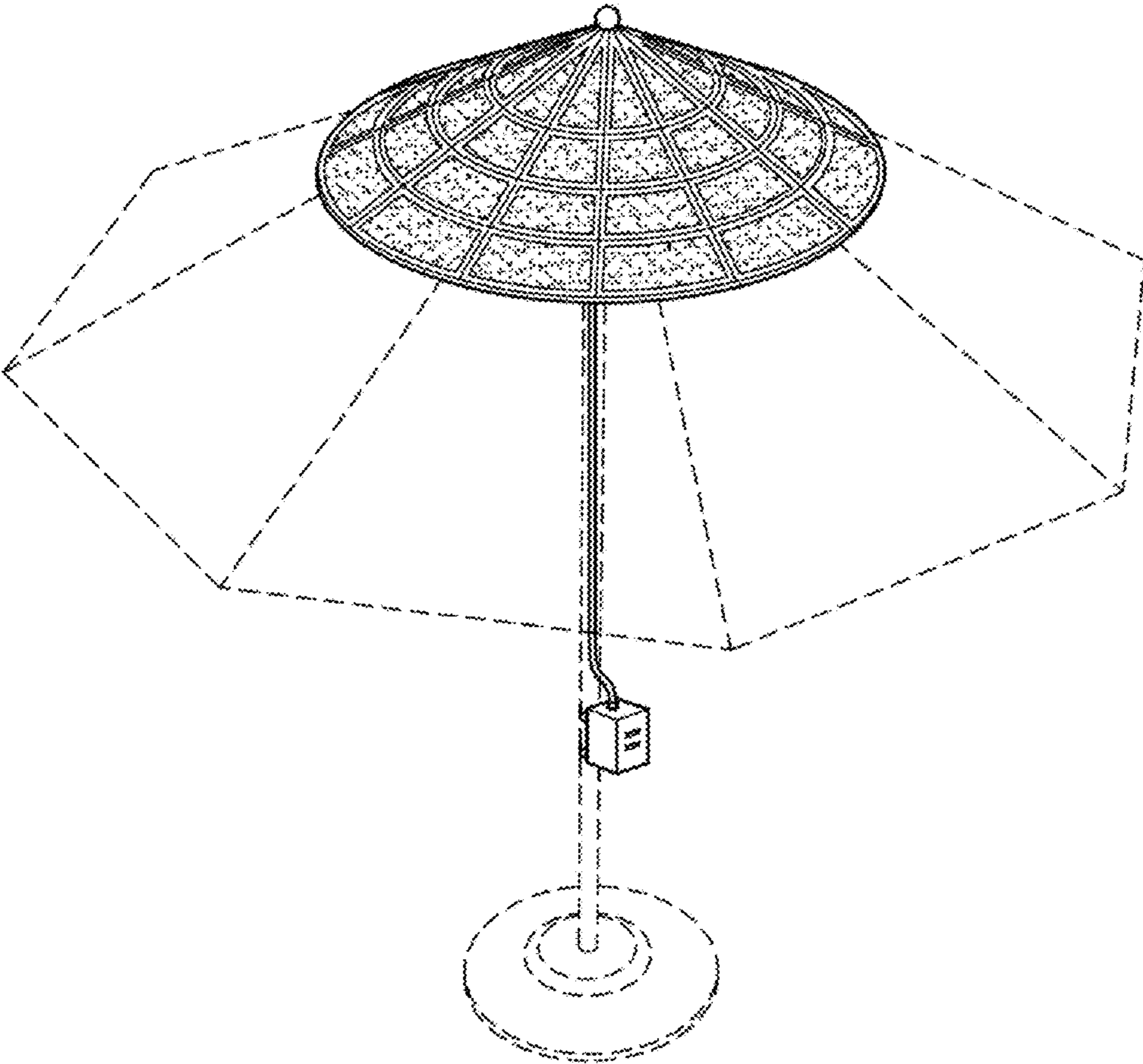


FIG. 1

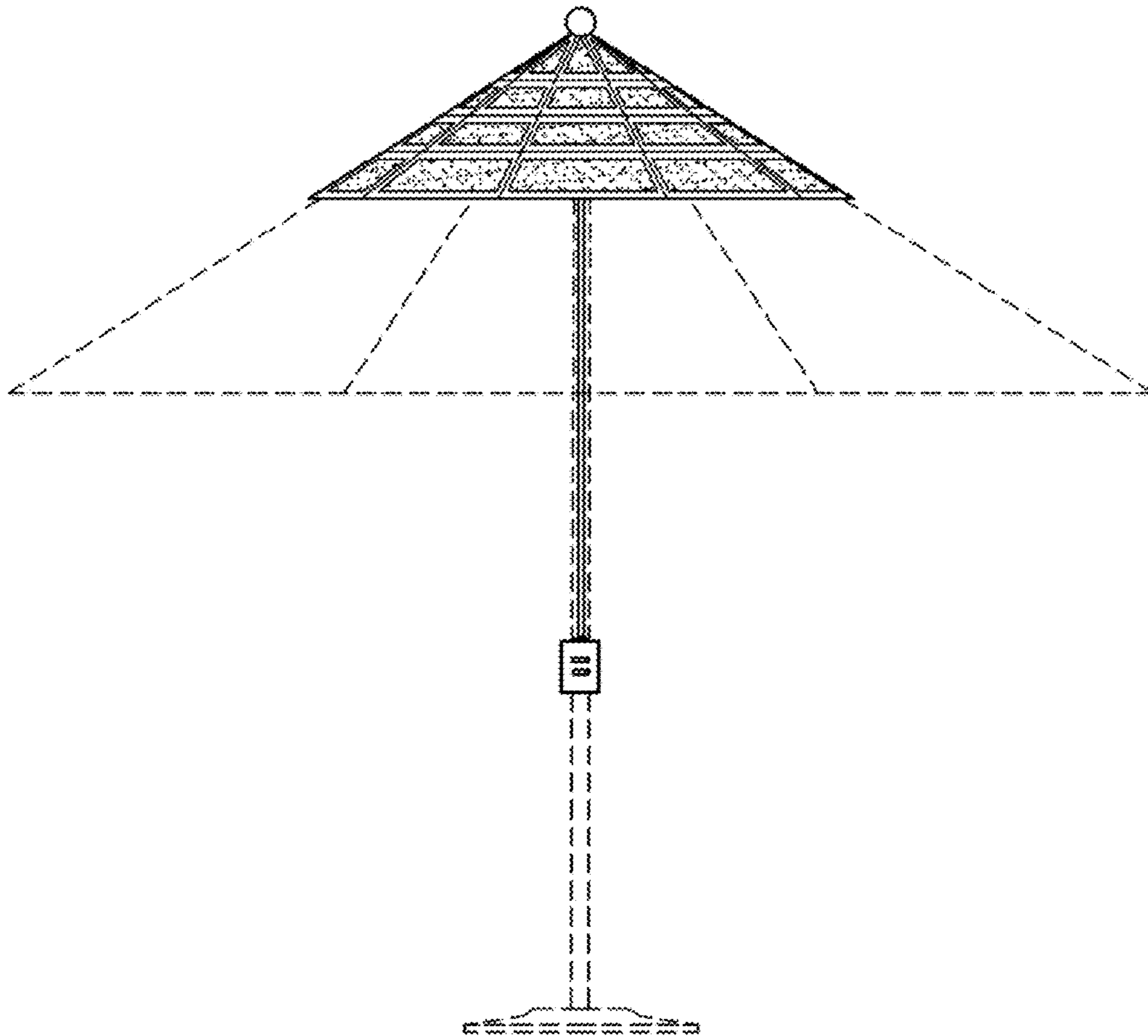


FIG. 2

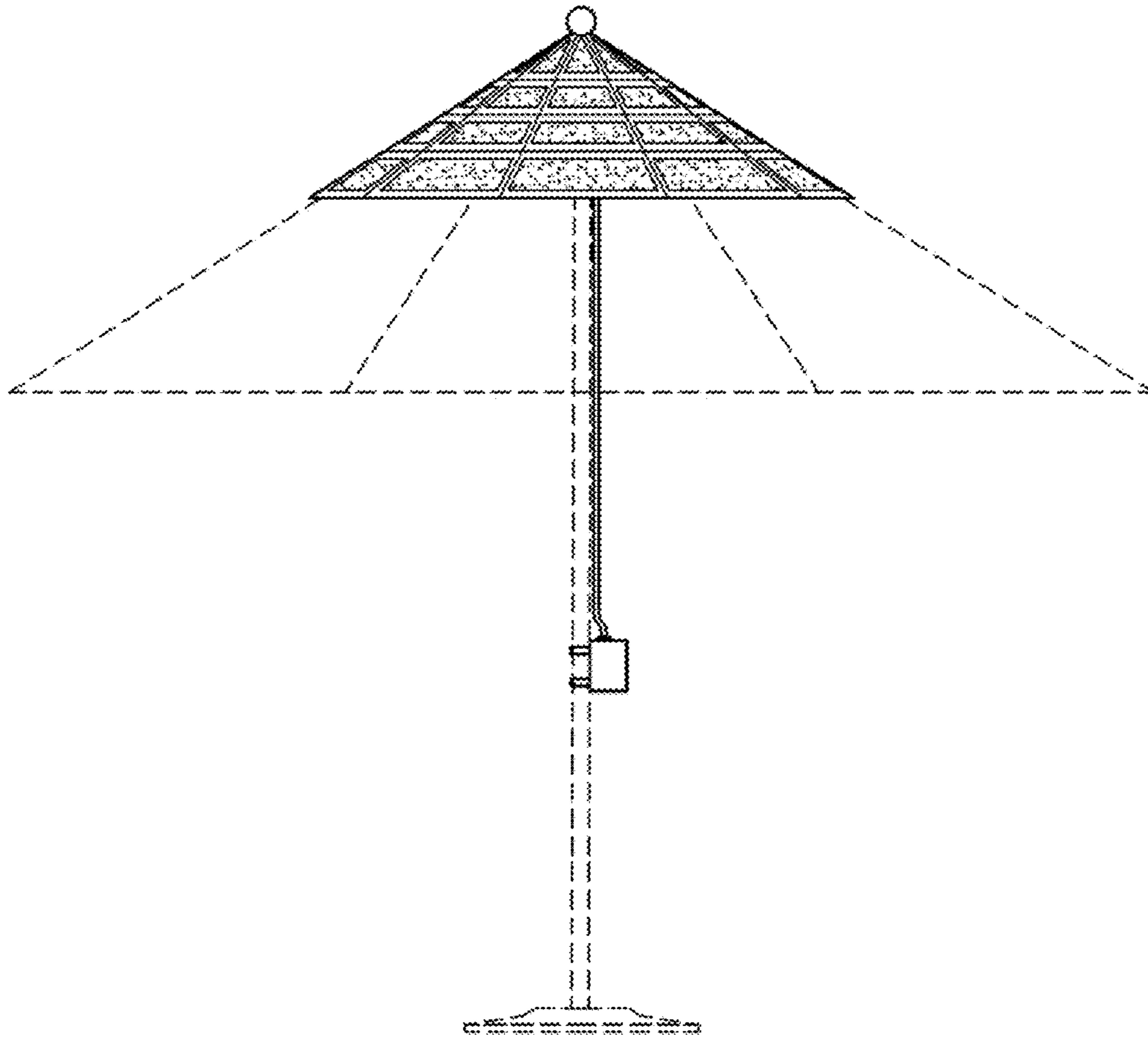


FIG. 3

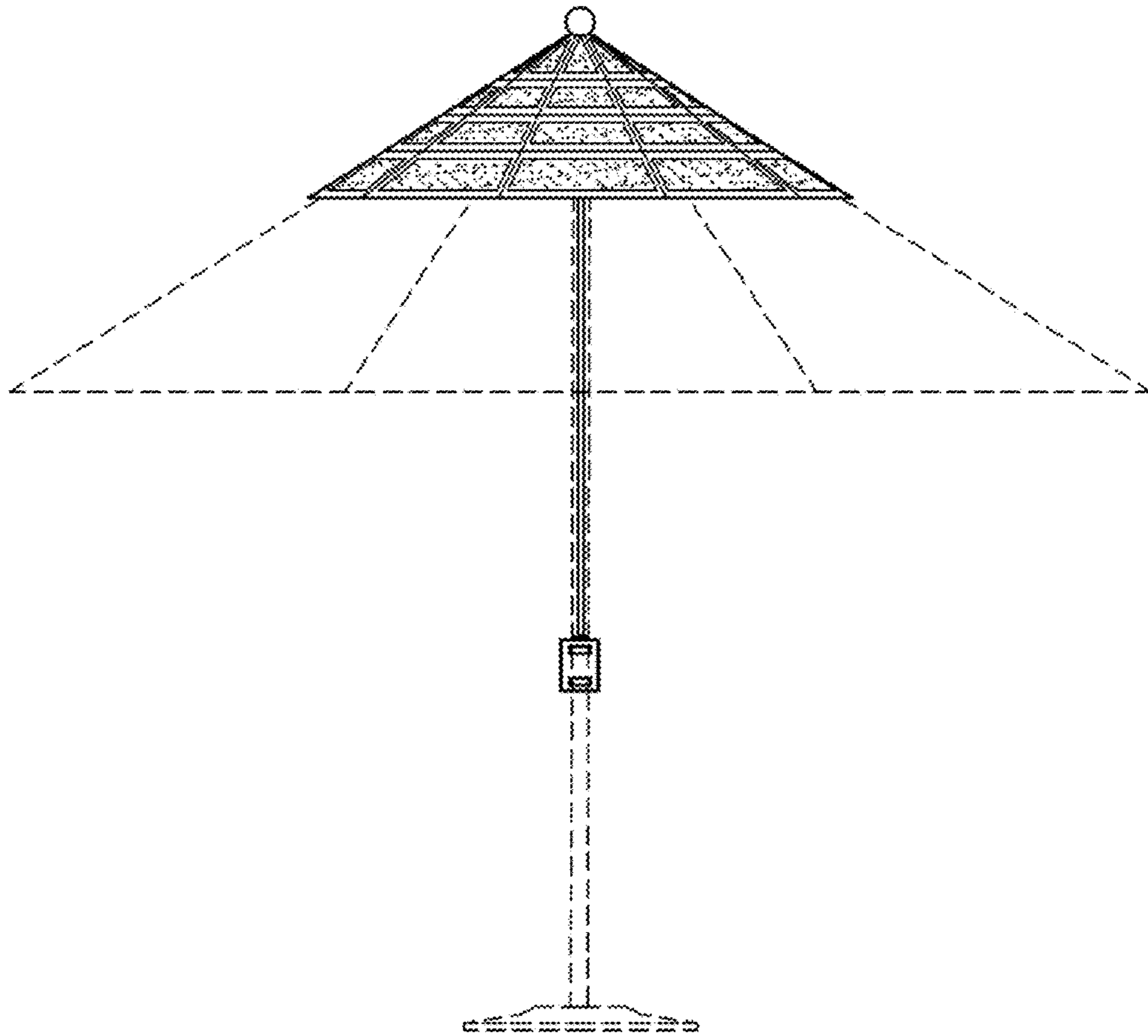


FIG. 4

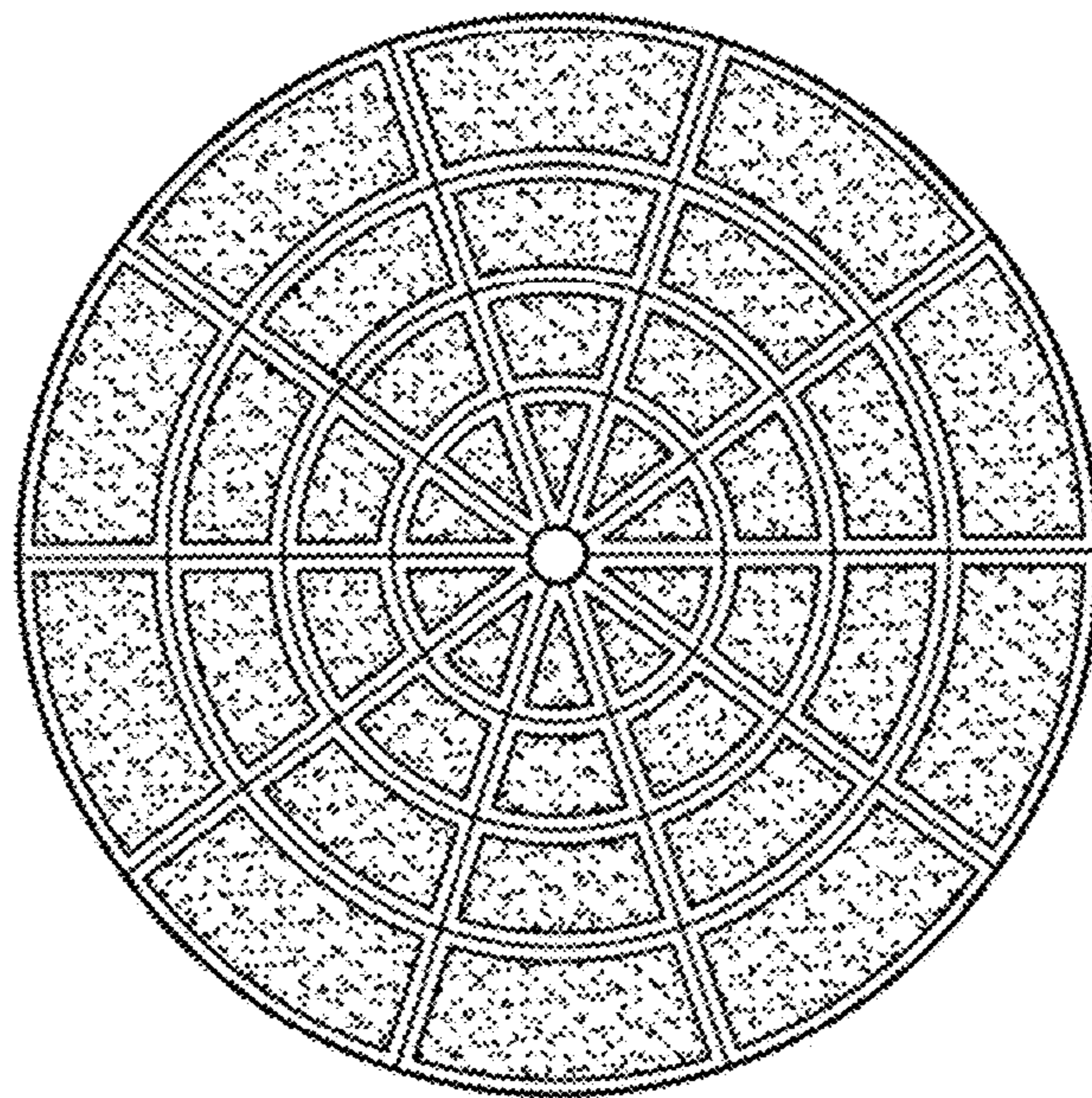


FIG. 5

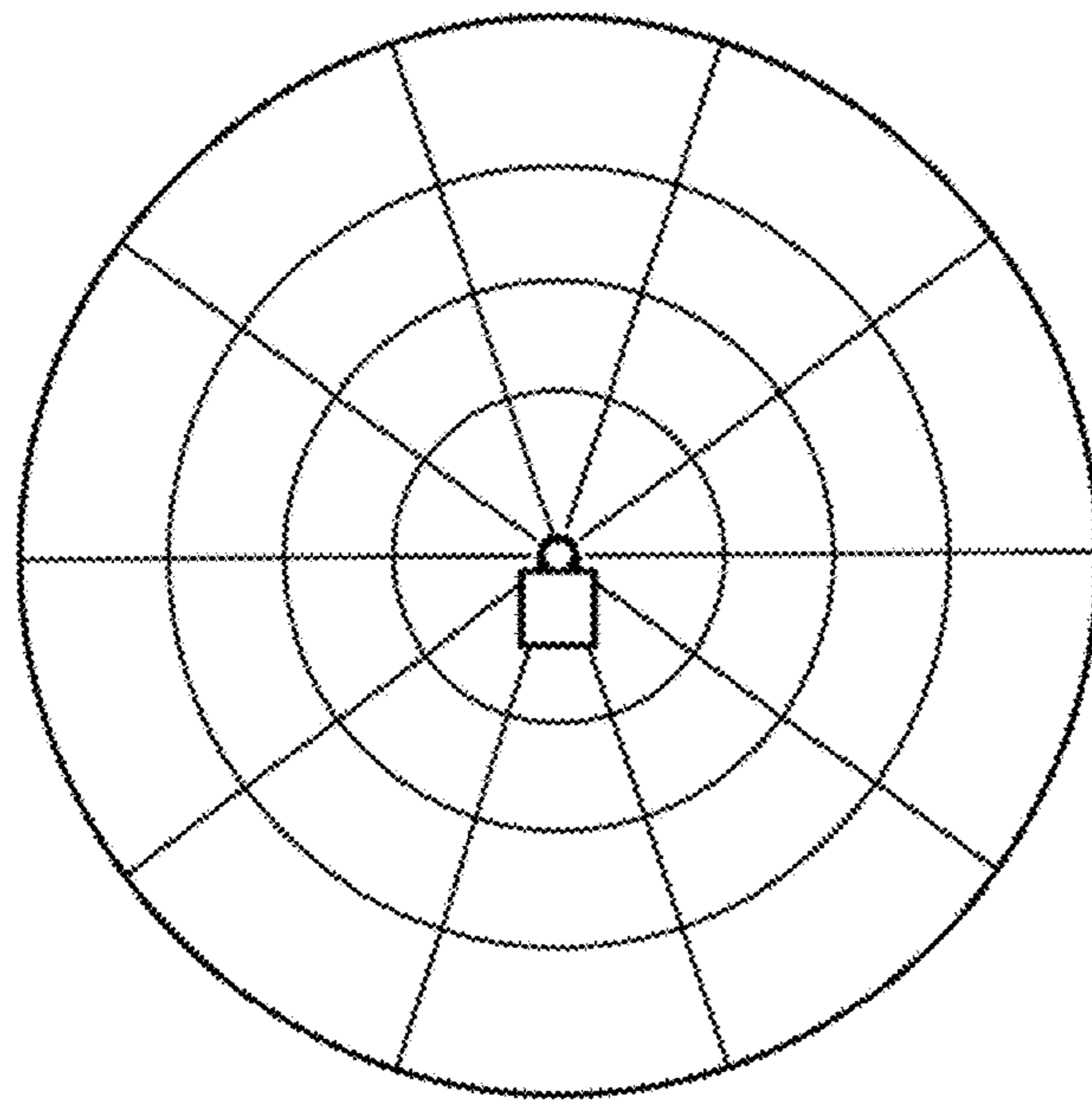


FIG. 6