



US00D728460S

(12) **United States Design Patent**
Sylvino et al.

(10) **Patent No.:** **US D728,460 S**
(45) **Date of Patent:** **** May 5, 2015**

(54) **PNEUMATIC TIRE**

(71) Applicants: **Compagnie Generale des Etablissements Michelin,** Clermont-Ferrand (FR); **Michelin Recherche et Technique S.A.,** Granges-Paccot (CH)

(72) Inventors: **Marcio Sylvino,** Rio de Janeiro (BR); **Michel Lupiac,** Rio de Janeiro (BR); **Mathieu Vandaele,** Clermont-Ferrand-Cedex (FR)

(73) Assignees: **Compagnie Generale des Etablissements Michelin (FR); Michelin Recherche et Technique S.A. (CH)**

(**) Term: **14 Years**

(21) Appl. No.: **29/453,133**

(22) Filed: **Apr. 25, 2013**

(30) **Foreign Application Priority Data**

Oct. 25, 2012 (FR) 12 4861

(51) **LOC (10) Cl.** **12-15**

(52) **U.S. Cl.**
USPC **D12/583**

(58) **Field of Classification Search**
CPC B60C 1/00
USPC D12/568-603; 152/209.1-209.28
See application file for complete search history.

(56) **References Cited**

U.S. PATENT DOCUMENTS

D652,369 S * 1/2012 Lebreton D12/583
D662,034 S * 6/2012 Vandaele et al. D12/583

FOREIGN PATENT DOCUMENTS

FR 09 4772 10/2009
FR 09 4773 10/2009

* cited by examiner

Primary Examiner — George D Kirschbaum

(74) *Attorney, Agent, or Firm* — Dickinson Wright PLLC

(57) **CLAIM**

The ornamental design for a pneumatic tire, as shown and described.

DESCRIPTION

FIG. 1 is a front perspective view of a pneumatic tire showing our new design.

FIG. 2 is a front elevational view thereof.

FIG. 3 is a left side elevational view thereof.

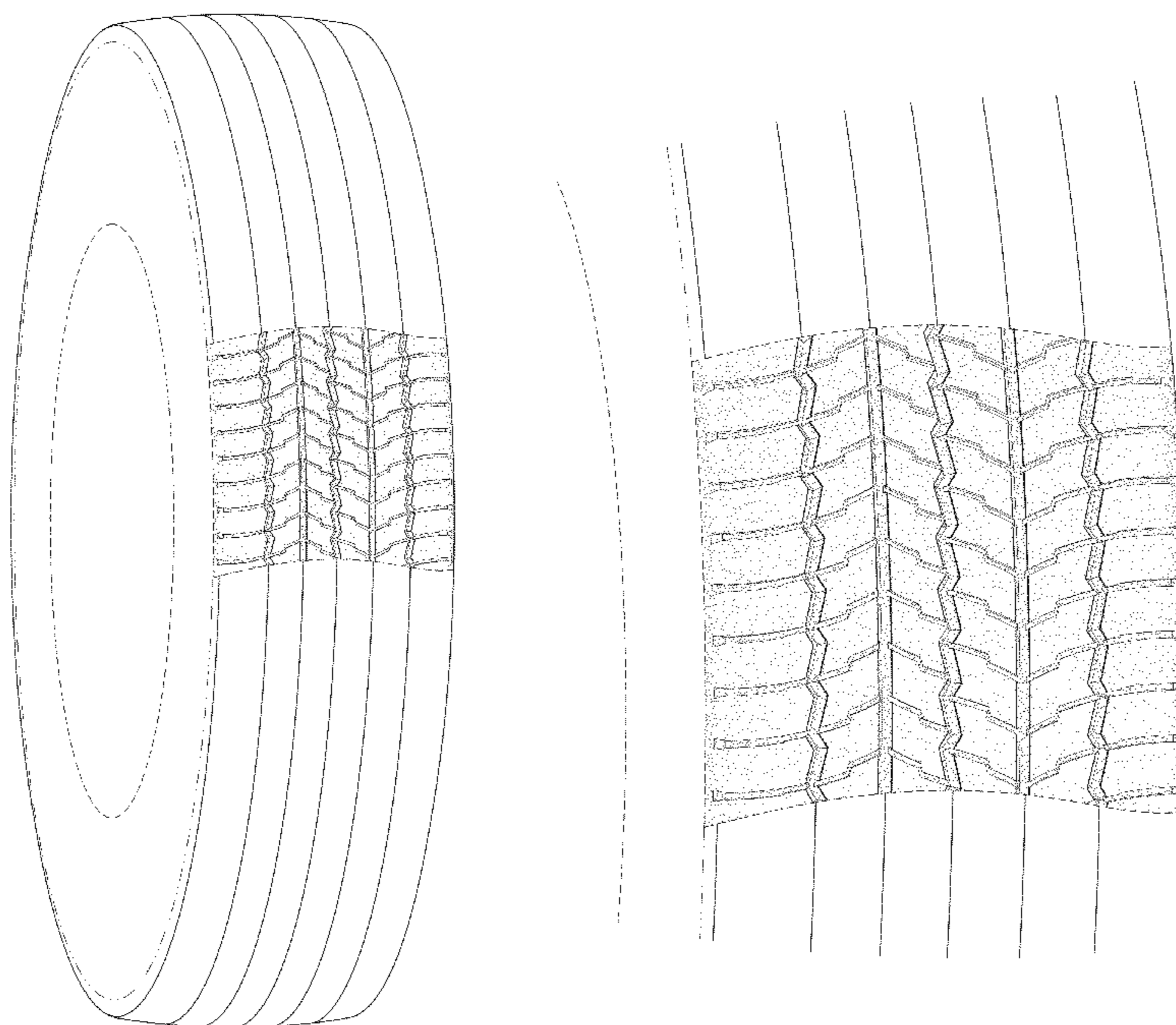
FIG. 4 is a right side elevational view thereof; and,

FIG. 5 is an enlarged, partial front perspective view thereof.

In the drawings, the broken lines defining the inner bead and the unclaimed sidewall depict environmental subject matter that forms no part of the claimed design. The dash-dot lines represent the peripheral boundary between the claimed tire tread and unclaimed sidewall.

The tread pattern is understood to repeat uniformly throughout the circumference of the tire, as shown schematically in solid lines.

1 Claim, 5 Drawing Sheets



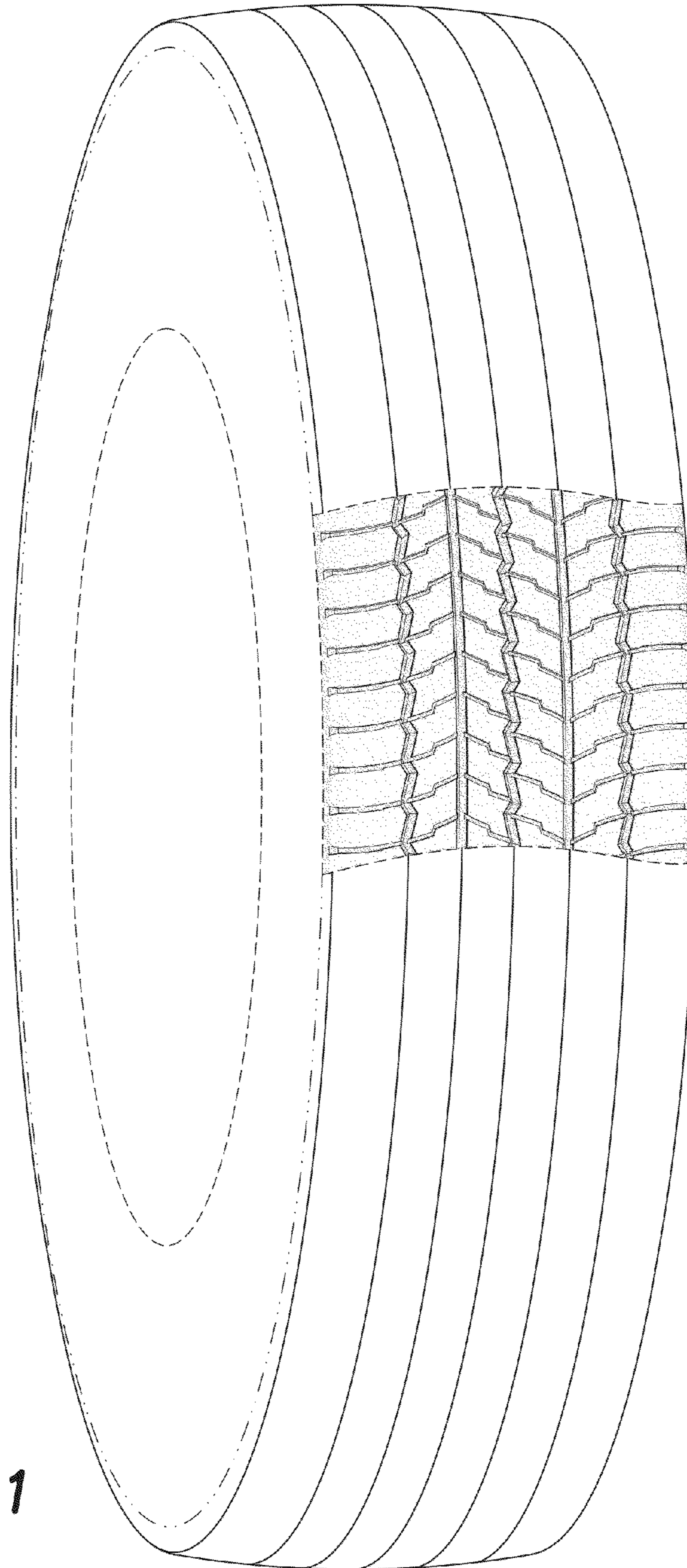


FIG. 1

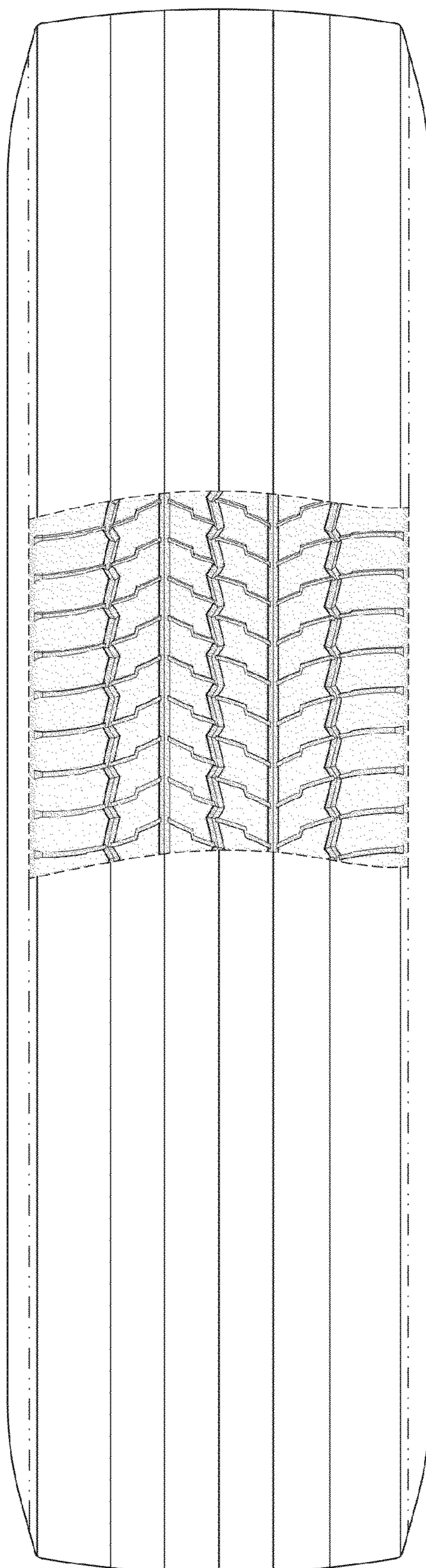


FIG. 2

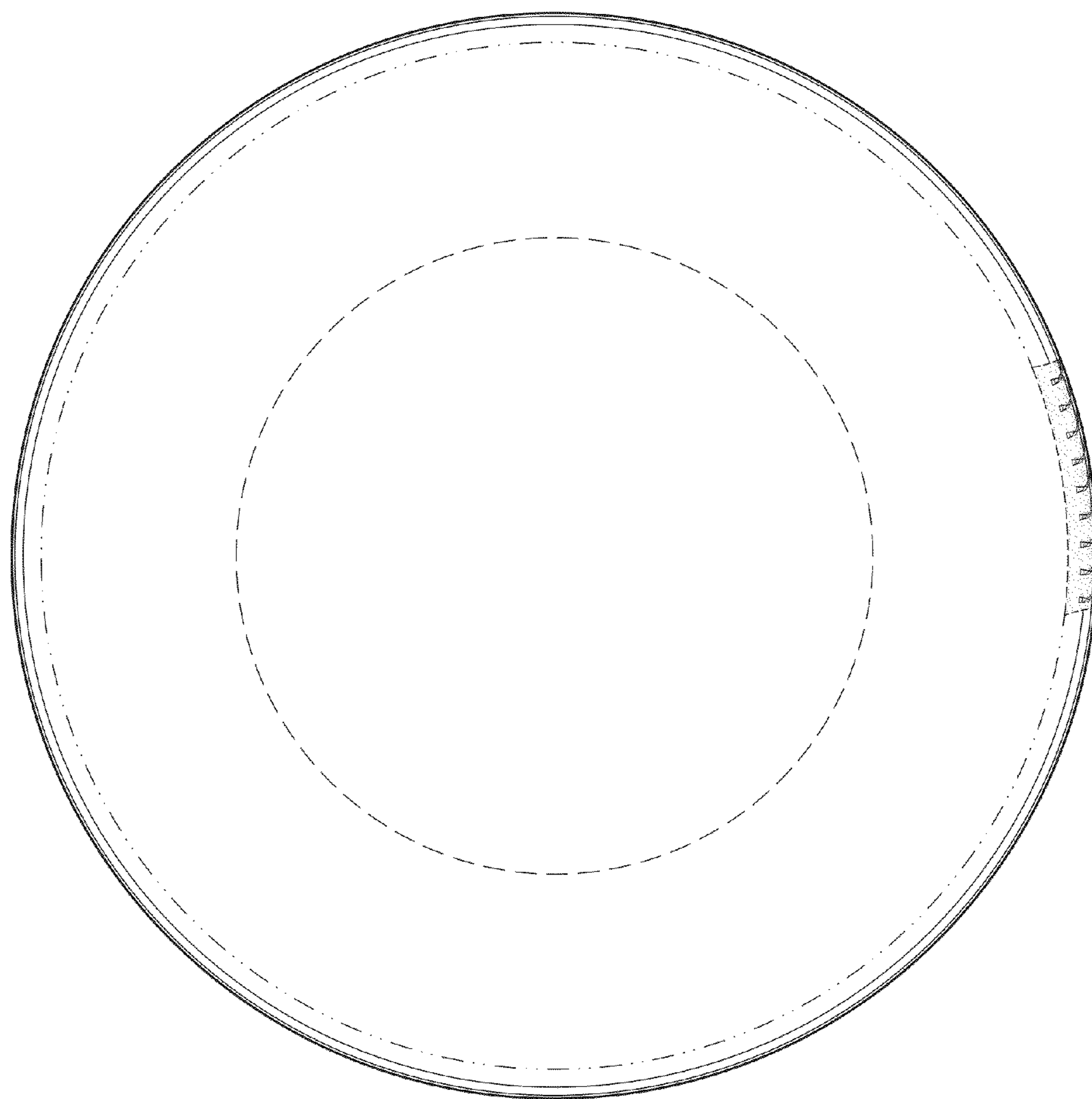


FIG. 3

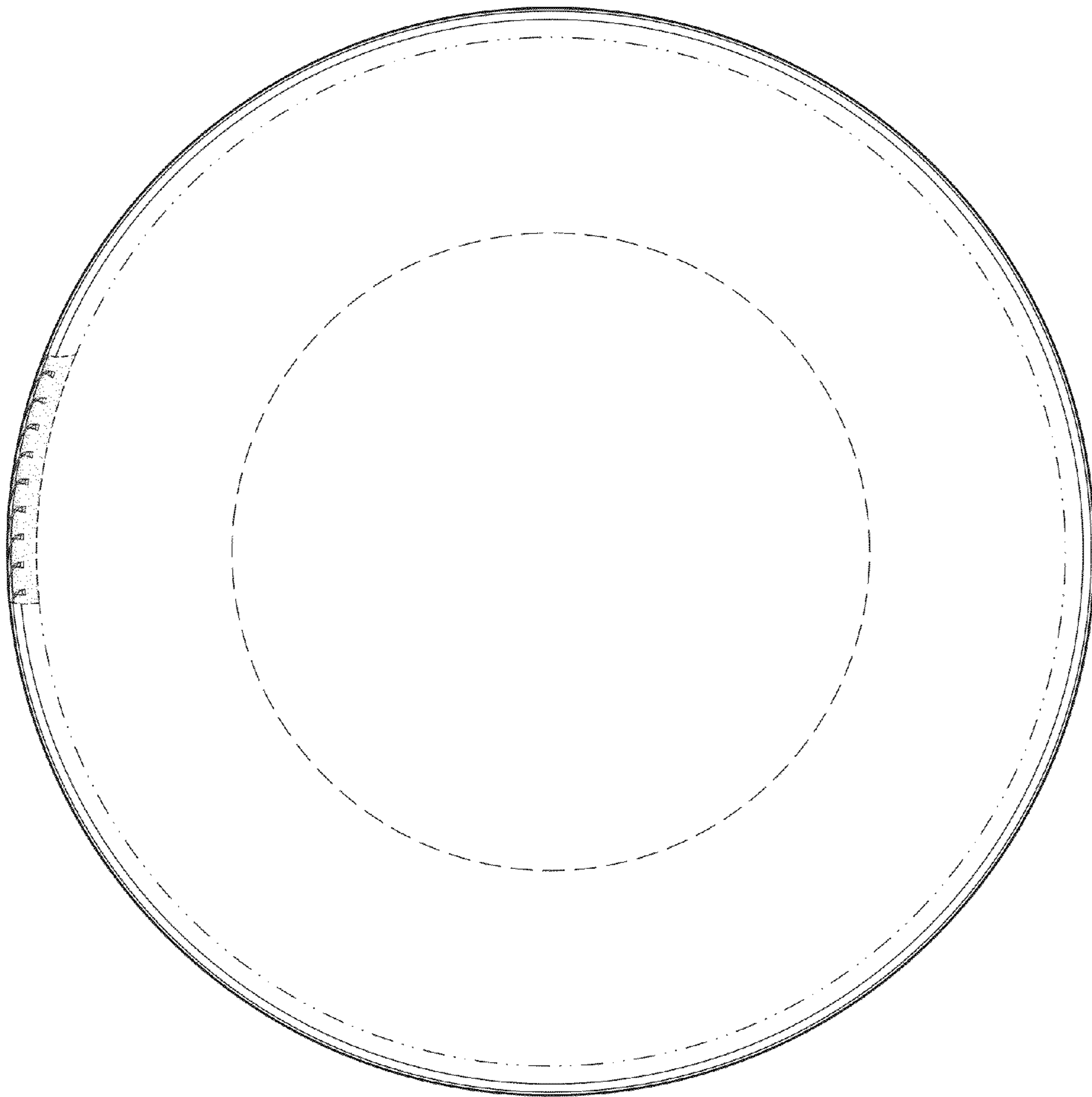


FIG. 4

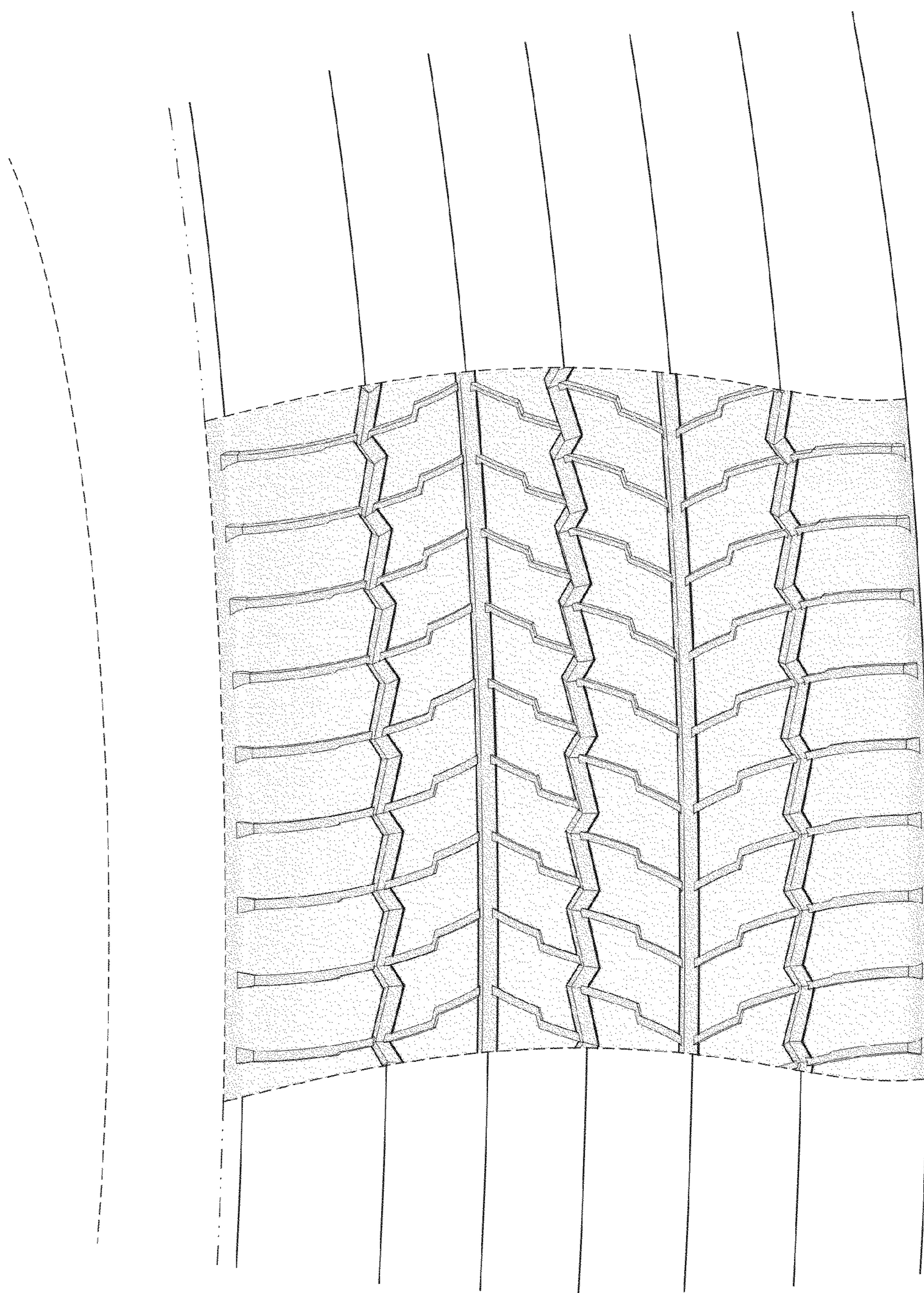


FIG. 5