

US00D728453S

(12) **United States Design Patent**
Maxwell et al.

(10) **Patent No.:** **US D728,453 S**

(45) **Date of Patent:** **** May 5, 2015**

- (54) **TIRE**
- (71) Applicant: **The Goodyear Tire & Rubber Company, Akron, OH (US)**
- (72) Inventors: **Paul Bryan Maxwell, Kent, OH (US); Brian David Digman, Sagamore Hills, OH (US); Charles Kenneth Schmalix, Canal Fulton, OH (US); Hans-Peter Guevara Leocadio, North Ridgeville, OH (US)**
- (73) Assignee: **The Goodyear Tire & Rubber Company, Akron, OH (US)**
- (**) Term: **14 Years**
- (21) Appl. No.: **29/490,542**
- (22) Filed: **May 12, 2014**
- (51) **LOC (10) Cl.** **12-15**
- (52) **U.S. Cl.**
USPC **D12/523**
- (58) **Field of Classification Search**
CPC B60C 11/0304; B60C 11/0302; B60C 11/0306; B60C 11/0309; B60C 11/0318; B60C 11/0311; B60C 11/042; B60C 11/13; B60C 11/00; B60C 11/11; B60C 11/12
USPC D12/505-532
See application file for complete search history.

D626,910 S	11/2010	Bott et al.	D12/519
D634,699 S	3/2011	Fontaine et al.	D12/517
D638,348 S	5/2011	Harvey et al.	D12/521
D639,719 S	6/2011	Harvey et al.	D12/521
D639,720 S	6/2011	Harvey et al.	D12/521
D643,800 S	8/2011	Riswanda	D12/523
D644,593 S	9/2011	Fontaine et al.	D12/523
D647,456 S	10/2011	Behr	D12/519
D648,668 S	11/2011	Kujime	D12/519
D650,322 S	12/2011	Takahashi	D12/519
D659,633 S	5/2012	Bindner et al.	D12/521
D665,335 S	8/2012	Baumard et al.	D12/517
D667,358 S	9/2012	Fontaine et al.	D12/518
D667,360 S *	9/2012	Ishida et al.	D12/523

(Continued)

Primary Examiner — Stacia Cadmus

(74) *Attorney, Agent, or Firm* — Richard B. O’Planick

(57) **CLAIM**

The ornamental design for a tire, as shown and described.

DESCRIPTION

FIG. 1 is a perspective view of a tire showing our design, it being understood that the pattern repeats uniformly throughout the circumference of the tread;

FIG. 2 is a front elevational view thereof;

FIG. 3 is a right side elevational view thereof;

FIG. 4 is a left side elevational view thereof;

FIG. 5 is an enlarged fragmentary front elevational view thereof;

FIG. 6 is a perspective view of a second embodiment of a tire showing our new design, it being understood that the pattern repeats uniformly throughout the circumference of the tread; and,

FIG. 7 is a front elevational view of a second embodiment, it being understood that an enlarged fragmentary view thereof would be substantially identical to that shown in FIG. 5, with the exception of the inclusion of the sidewall in solid lines.

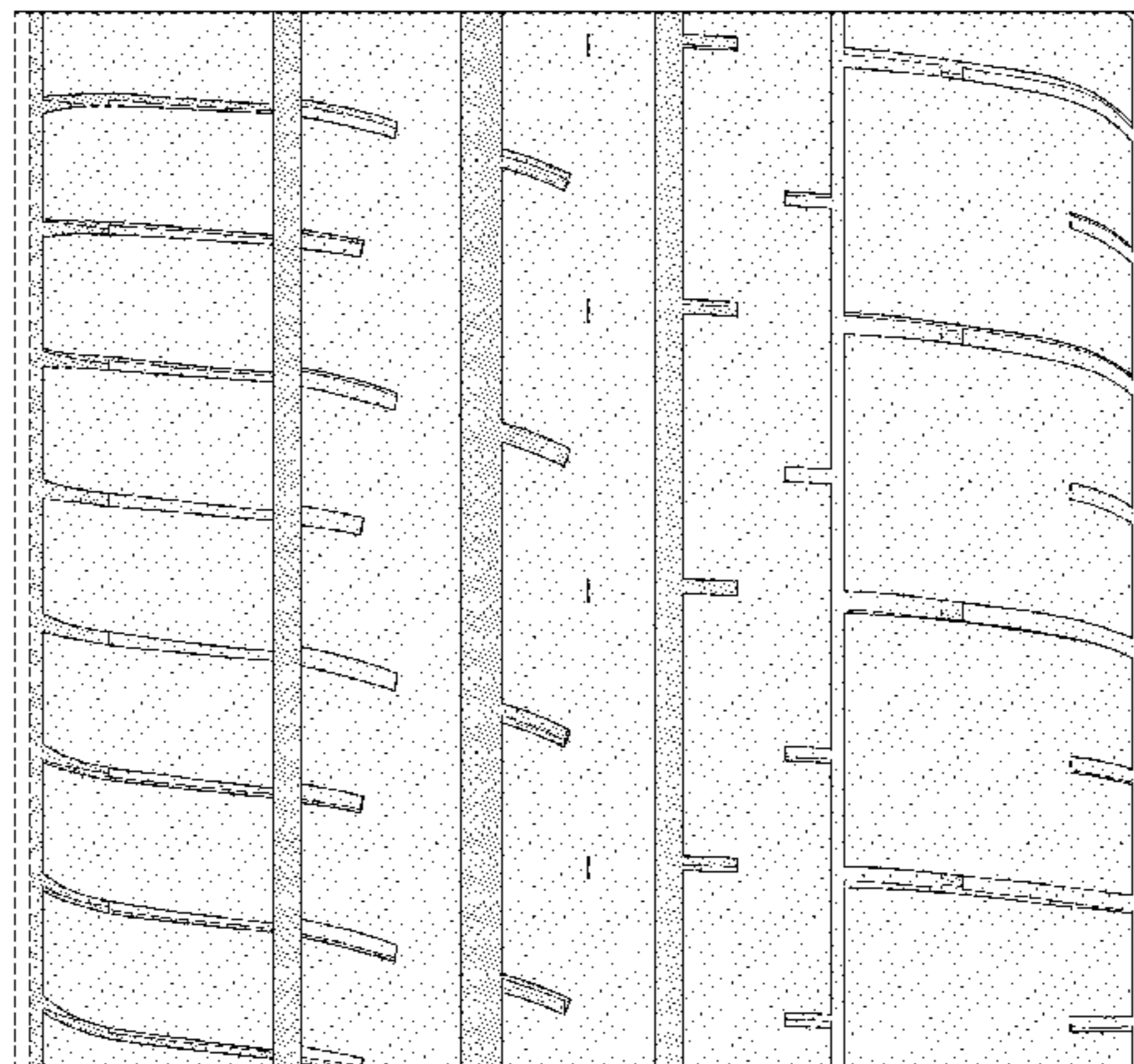
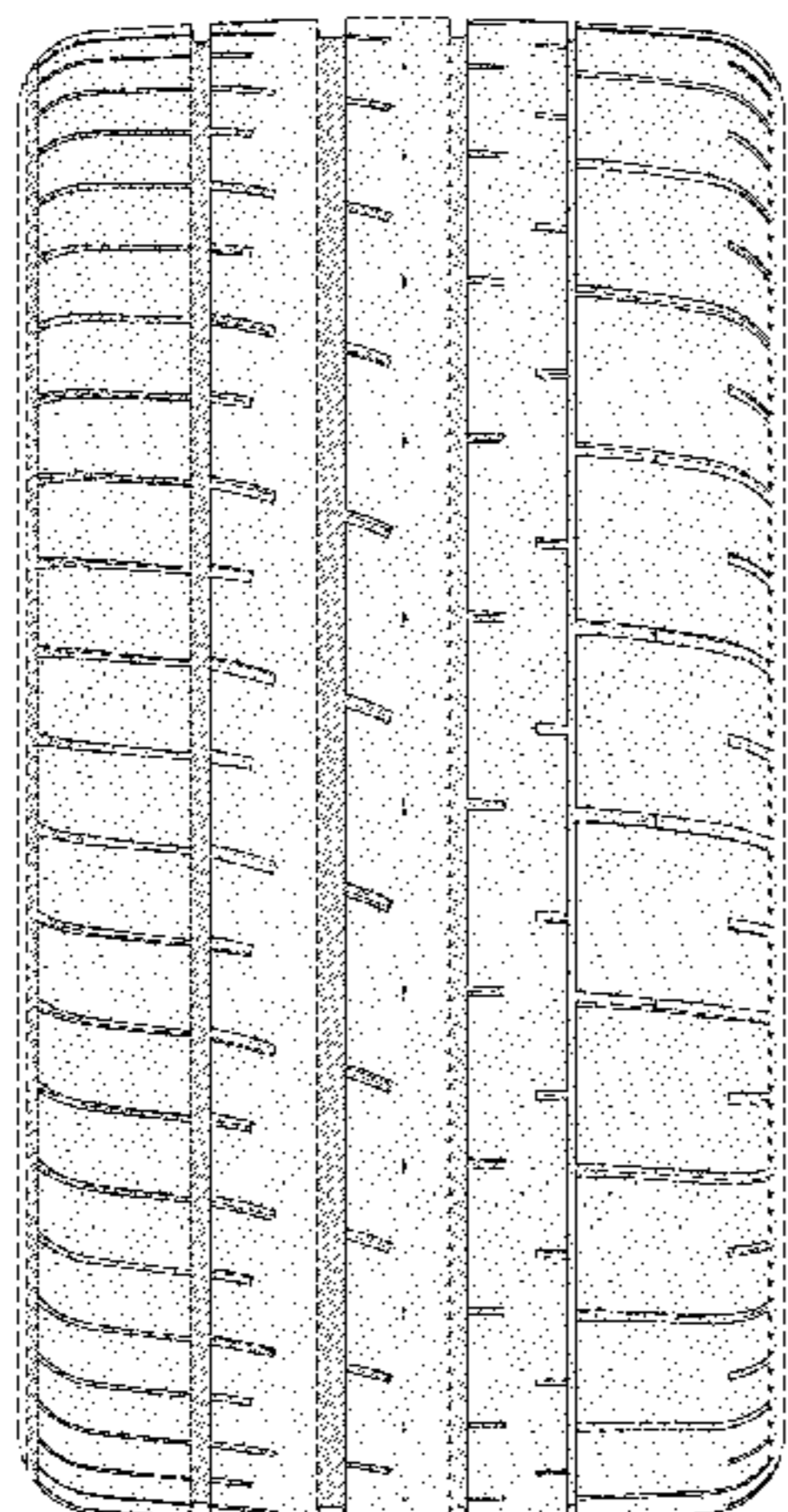
In the drawings, the broken lines showing of the sidewall, inner bead and the peripheral boundary between the tire tread and the sidewall in FIGS. 1 through 5 depict environmental subject matter and form no part of the claimed design.

1 Claim, 7 Drawing Sheets

(56) **References Cited**

U.S. PATENT DOCUMENTS

D423,422 S	4/2000	Schloover et al.	D12/146
D432,956 S	10/2000	Ricquet	D12/141
D447,097 S *	8/2001	Graas et al.	D12/523
D451,441 S	12/2001	Weber	D12/146
D453,729 S	2/2002	Demagall et al.	D12/523
D559,767 S	1/2008	Graas et al.	D12/521
D599,276 S	9/2009	Fontaine et al.	D12/519
D601,939 S	10/2009	Fontaine et al.	D12/519
D609,161 S	2/2010	Fontaine et al.	D12/517
D609,627 S	2/2010	Frappart et al.	D12/523



US D728,453 S

Page 2

(56)

References Cited

U.S. PATENT DOCUMENTS

D668,598 S	10/2012	Hughes et al.	D12/521	
D679,241 S	4/2013	Fehl et al.	D12/524	* cited by examiner
D689,430 S	9/2013	Fontaine et al.	D12/523	
D692,371 S	10/2013	Fontaine et al.	D12/517	
D694,702 S	12/2013	Leconte et al.	D12/521	
D708,116 S	* 7/2014	Caron et al.	D12/523	

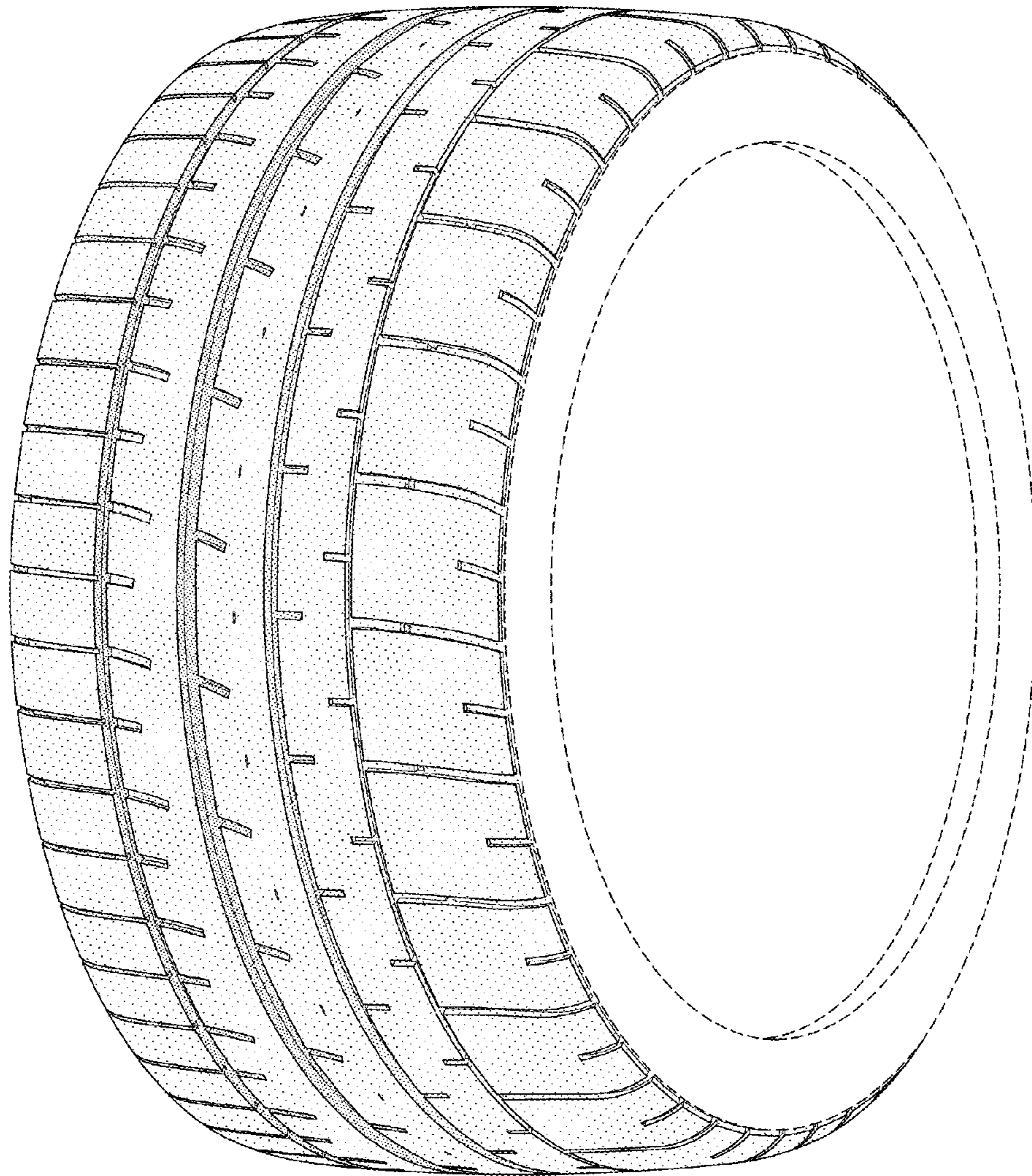


FIG-1

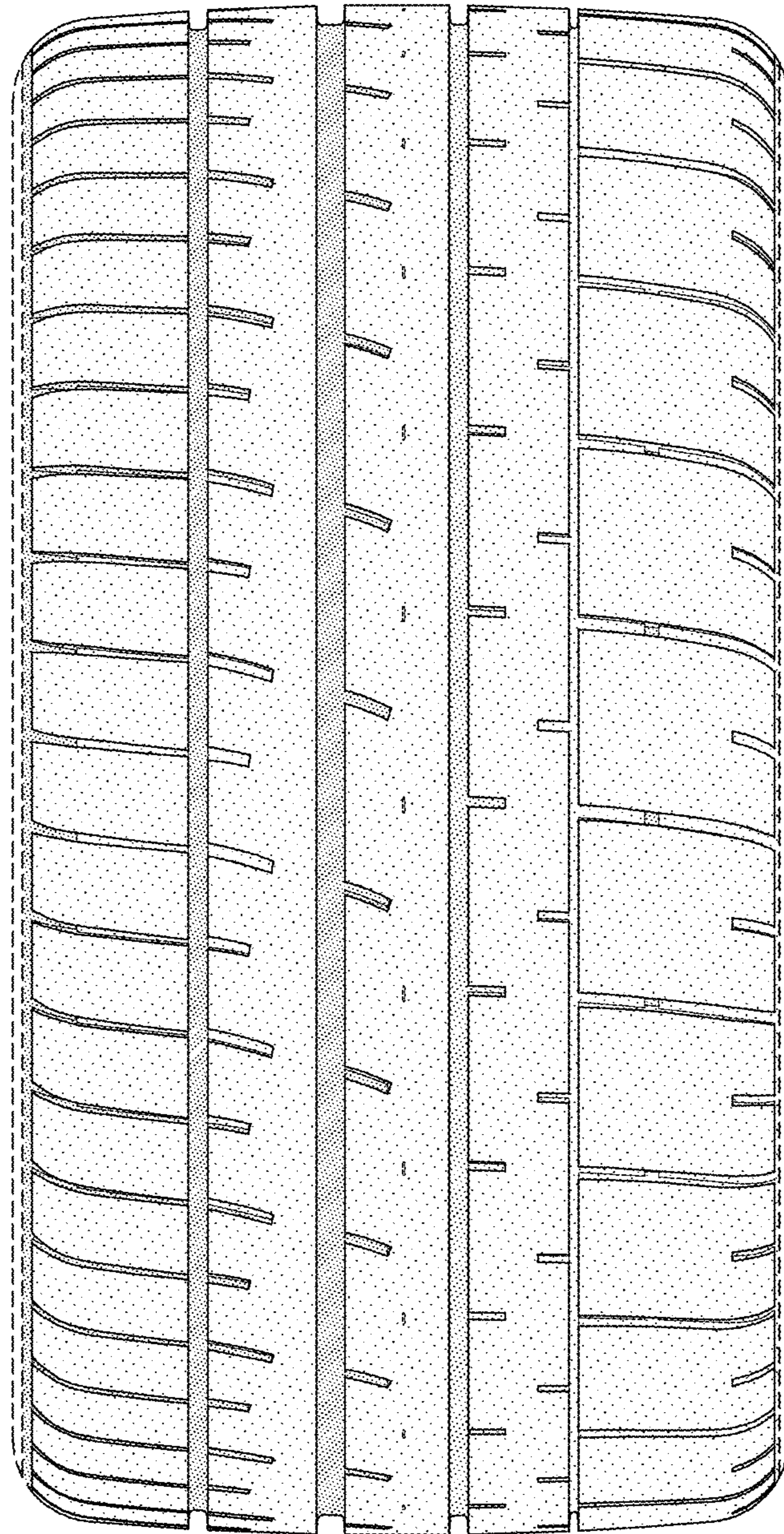


FIG-2

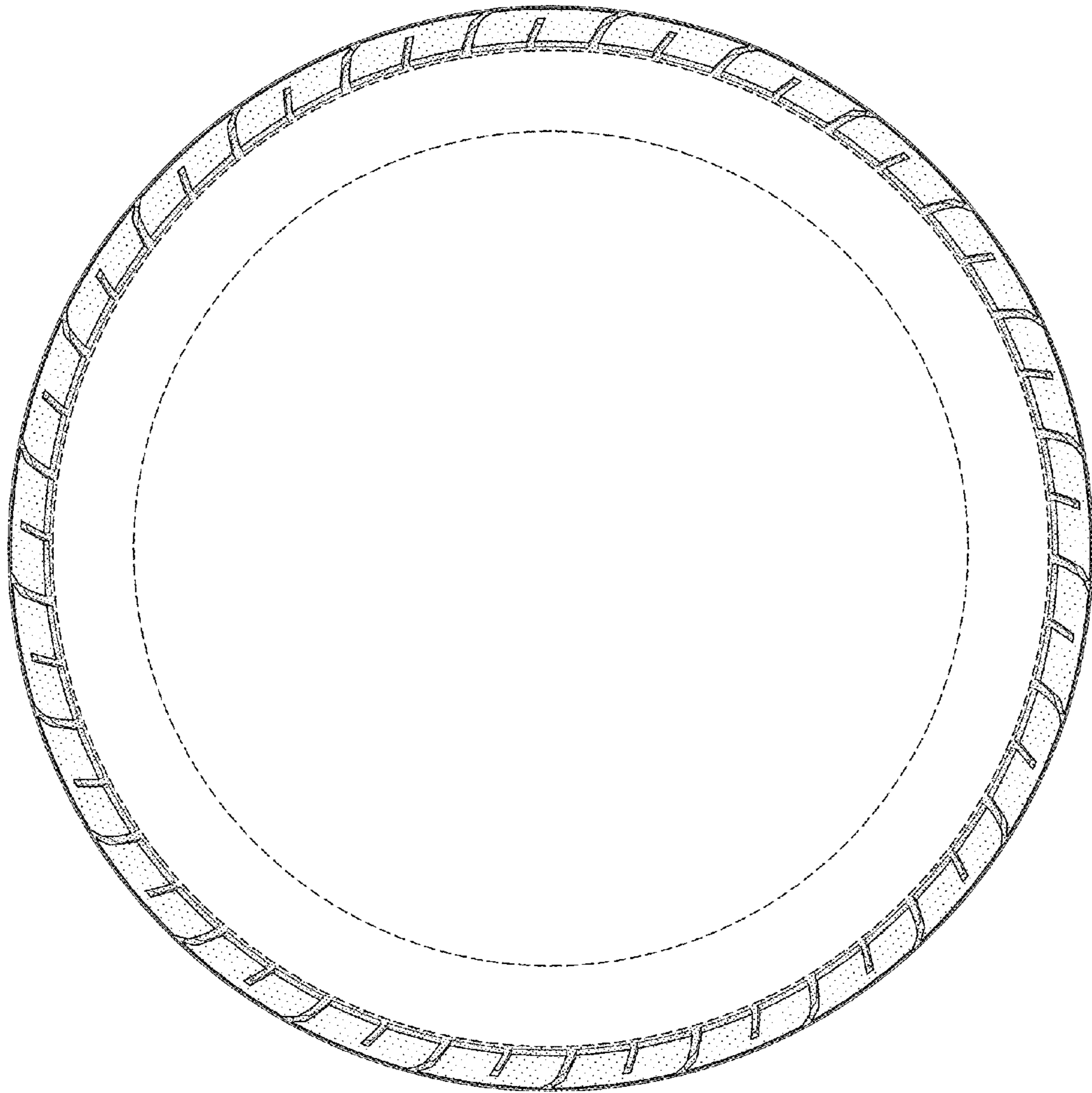


FIG-3

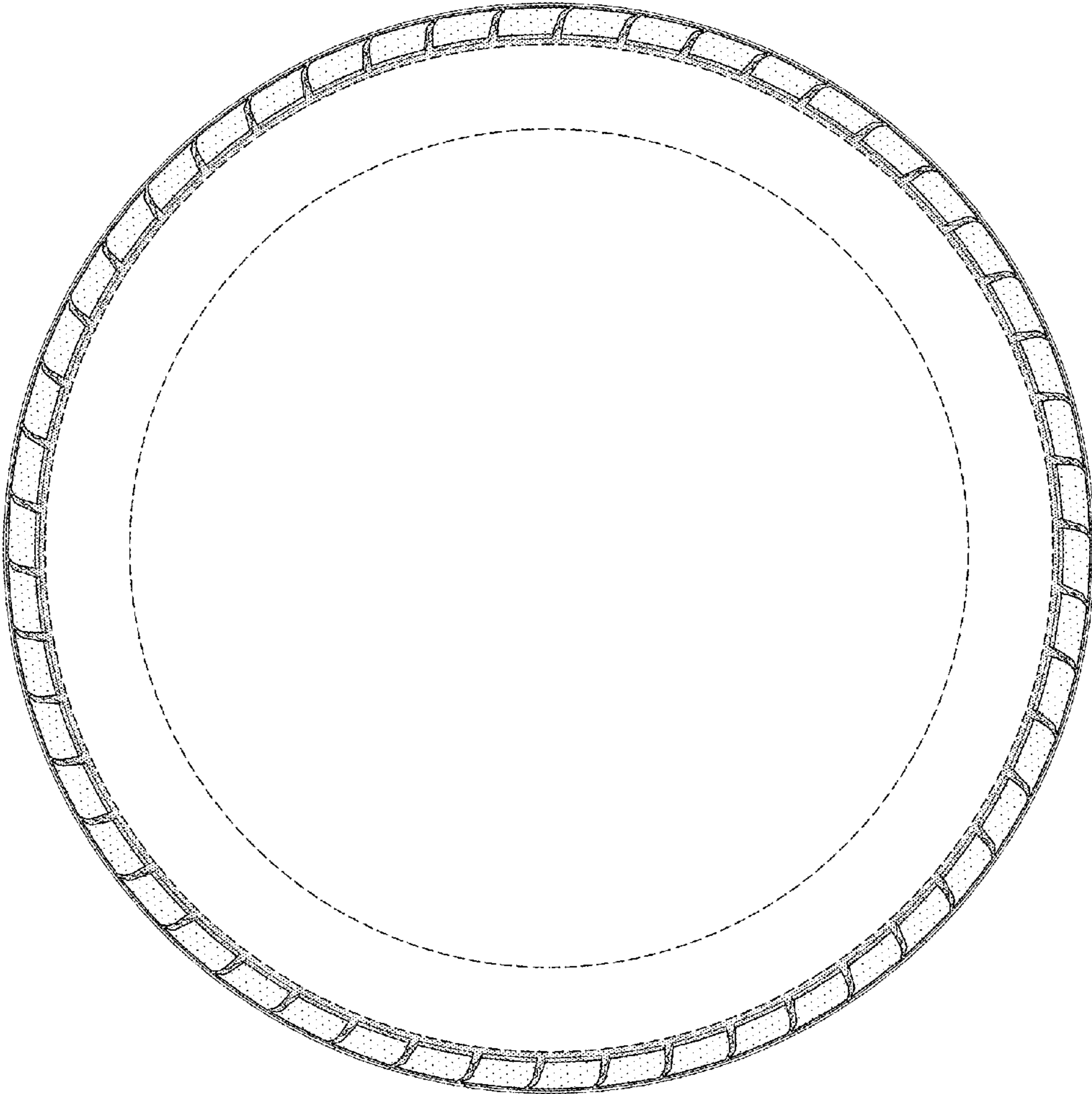


FIG-4

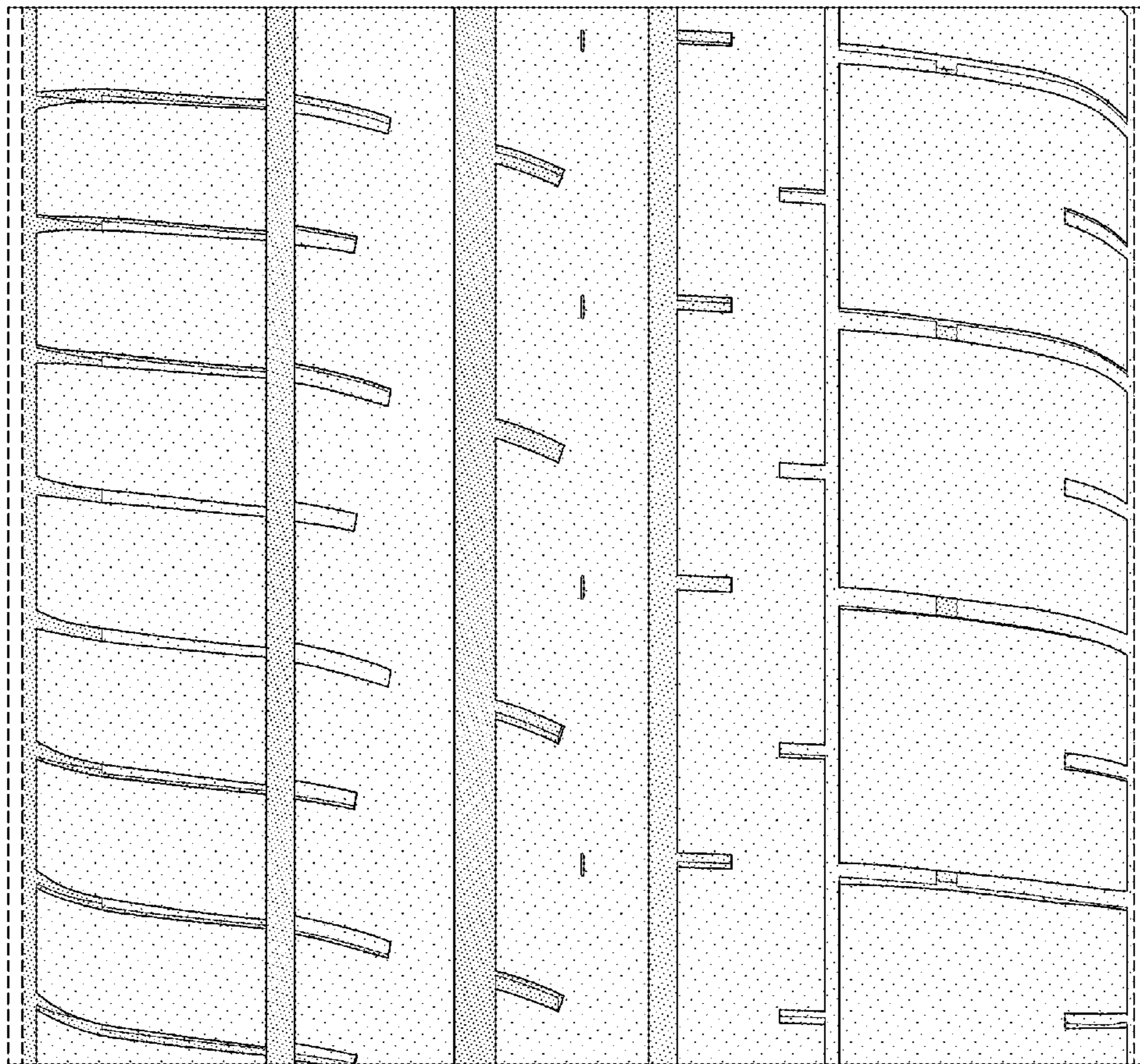


FIG-5

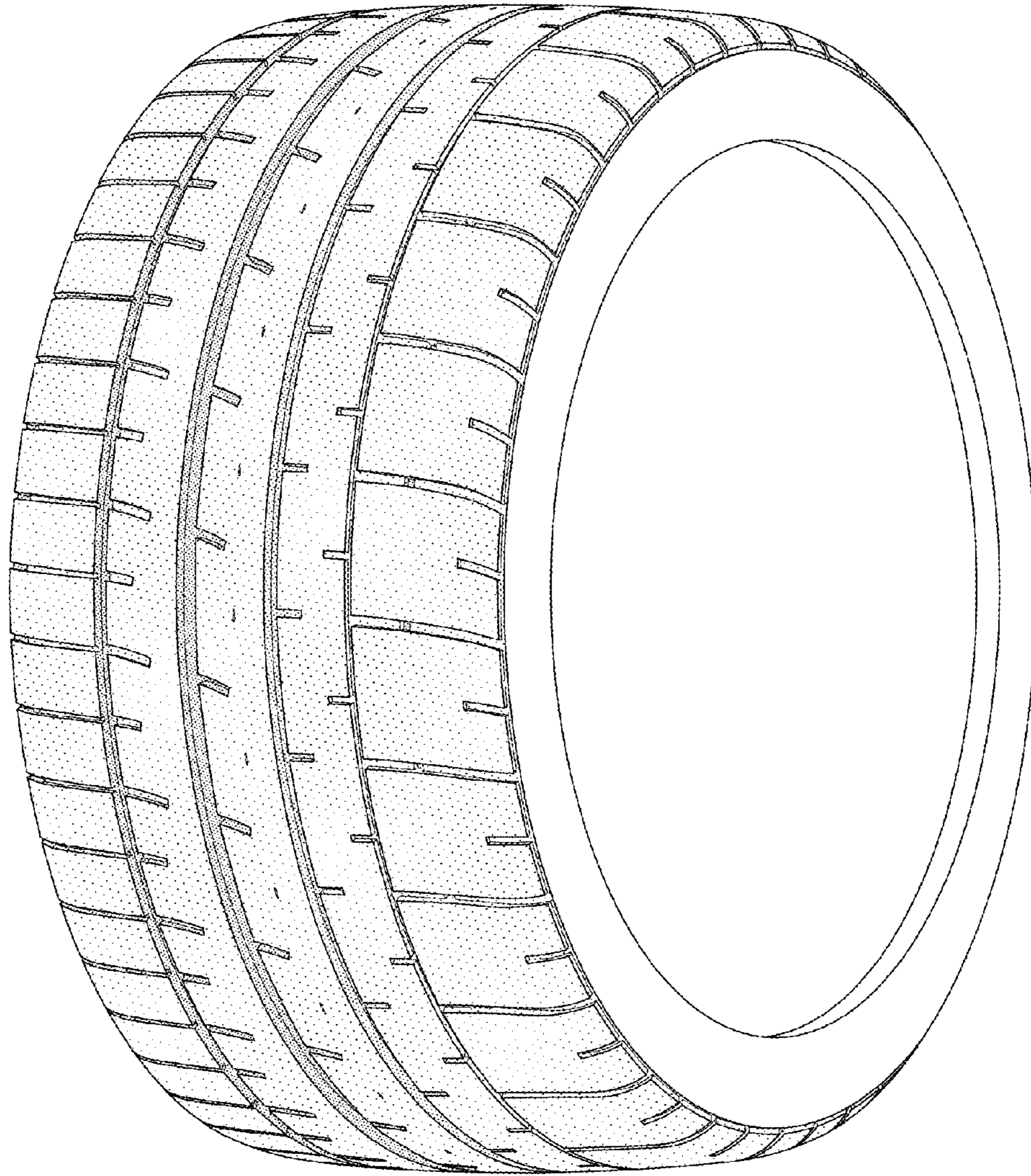


FIG-6

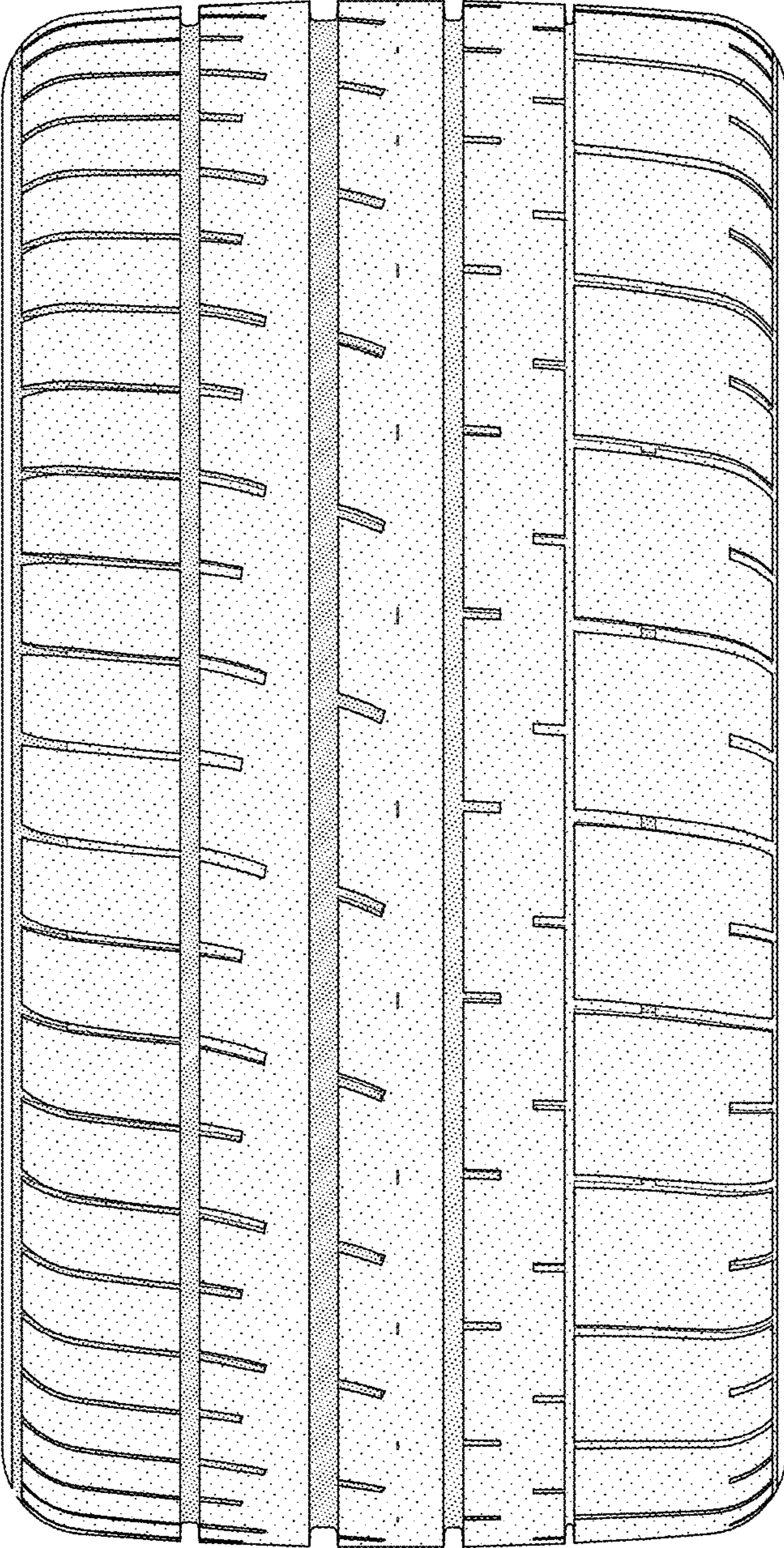


FIG-7