



US00D728448S

(12) **United States Design Patent**  
**Klinck et al.**

(10) **Patent No.:** **US D728,448 S**

(45) **Date of Patent:** **\*\* May 5, 2015**

(54) **STRAP HANGER**

(56) **References Cited**

(71) Applicants: **Amatrimara Inc.**, Oakville (CA);  
**Bentech Inc.**, Philadelphia, PA (US)

U.S. PATENT DOCUMENTS

(72) Inventors: **Michael Klinck**, Oakville (CA); **Scott Strong**, Oakville (CA); **Scott Weber**, Bethlehem, PA (US); **Robert Benninghoff**, Maple Shade, NJ (US)

1,650,429	A	*	11/1927	Clark	.....	105/354
1,729,988	A	*	10/1929	Clark	.....	105/354
1,799,062	A	*	3/1931	Puzo	.....	105/354
1,999,958	A	*	4/1935	Clark	.....	105/354
2,130,283	A	*	9/1938	Lewis	.....	105/354
2,137,622	A	*	11/1938	Munro et al.	.....	105/354
2,449,307	A	*	9/1948	Mersereau	.....	105/354
2,500,415	A	*	3/1950	Johnson	.....	105/354
2,688,288	A	*	9/1954	Harris	.....	105/354
2,974,611	A	*	3/1961	Tangeman	.....	105/354
D201,993	S	*	8/1965	Schlosser	.....	D8/396
D202,294	S	*	9/1965	Heifetz	.....	D8/396
3,521,571	A	*	7/1970	Maggio et al.	.....	105/354
D394,419	S	*	5/1998	Istvan	.....	D12/42
D493,363	S	*	7/2004	Eason	.....	D8/396
D505,617	S	*	5/2005	Eason	.....	D8/396
D541,190	S	*	4/2007	Plzak	.....	D11/200
D638,330	S	*	5/2011	Fahrendorff et al.	.....	D11/200
D712,555	S	*	9/2014	Berg	.....	D24/190

(73) Assignees: **Amatrimara Inc. C.O.B. River Drive Mfg.**, Oakville (CA); **Bentech Inc.**, Philadelphia, PA (US)

(\*\*) Term: **14 Years**

\* cited by examiner

(21) Appl. No.: **29/458,785**

(22) Filed: **Jun. 21, 2013**

*Primary Examiner* — Ralf Seifert

(30) **Foreign Application Priority Data**

(74) *Attorney, Agent, or Firm* — Venjuris, P.C.

Mar. 18, 2013 (CA) ..... 150243

(51) **LOC (10) Cl.** ..... **12-03**

(57) **CLAIM**

The ornamental design for a strap hanger, as shown and described.

(52) **U.S. Cl.**

**DESCRIPTION**

USPC ..... **D12/400**

(58) **Field of Classification Search**

CPC ..... B61D 37/00; B61D 49/00; D61F 5/122

USPC ..... D11/200, 201, 202, 212, 215, 214;

D8/303, 306, 315, 321, 396; 24/190,

24/114.5, 265 R; 105/354; 40/318;

D12/42, 400

FIG. 1 is a front perspective view of a strap hanger. The strap shown in stippled lines does not form part of the design.

FIG. 2 is a front view of the strap hanger;

FIG. 3 is a left side view of the strap hanger;

FIG. 4 is a back view of the strap hanger;

FIG. 5 is a right side view of the strap hanger;

FIG. 6 is a top view of the strap hanger; and,

FIG. 7 is a bottom view of the strap hanger.

See application file for complete search history.

**1 Claim, 3 Drawing Sheets**

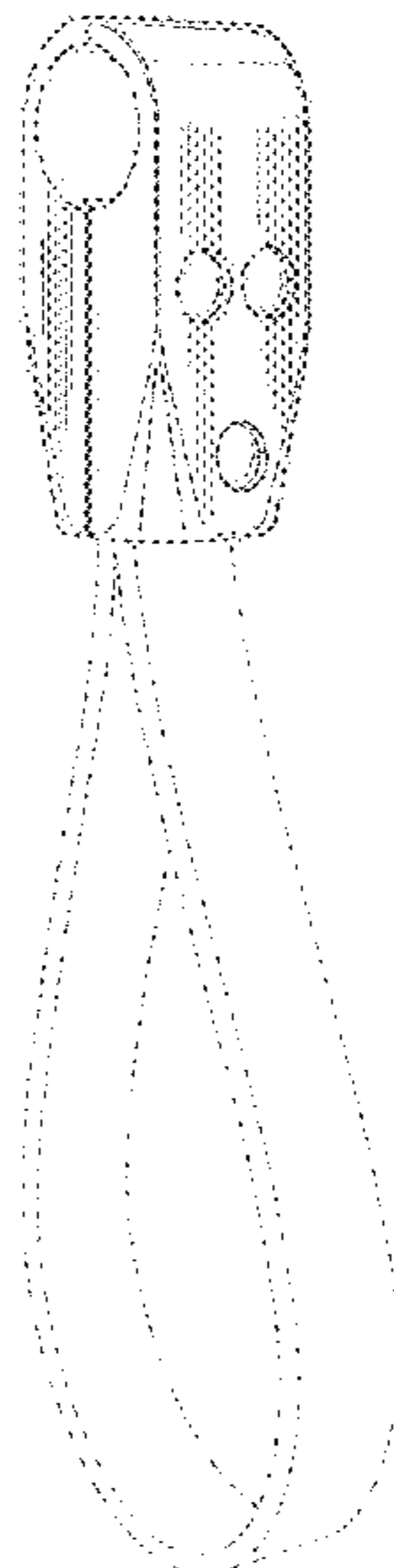


Fig. 1

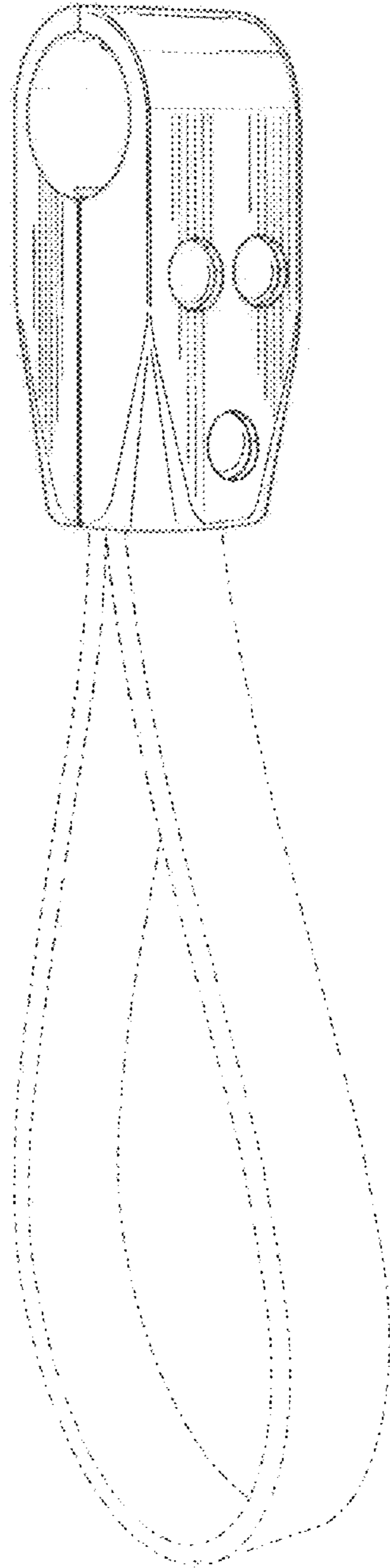


Fig.2

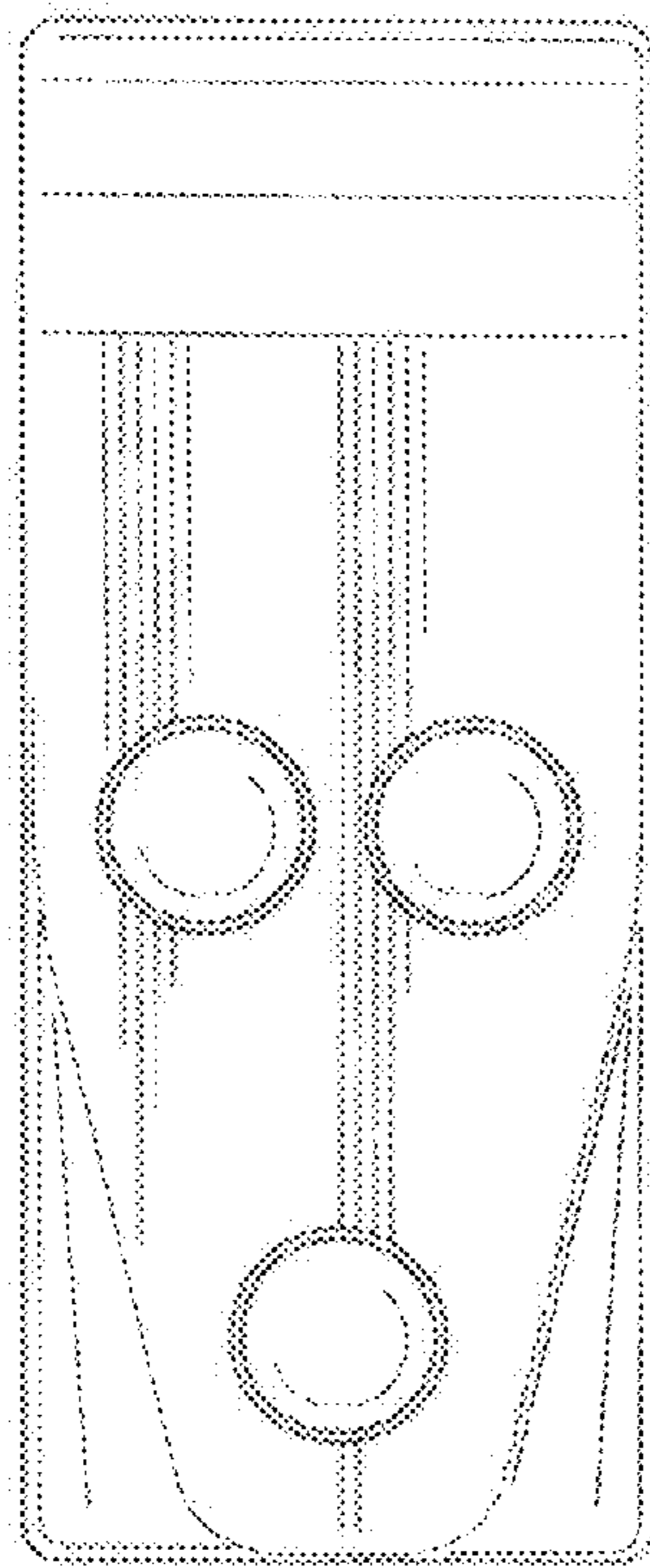


Fig.3

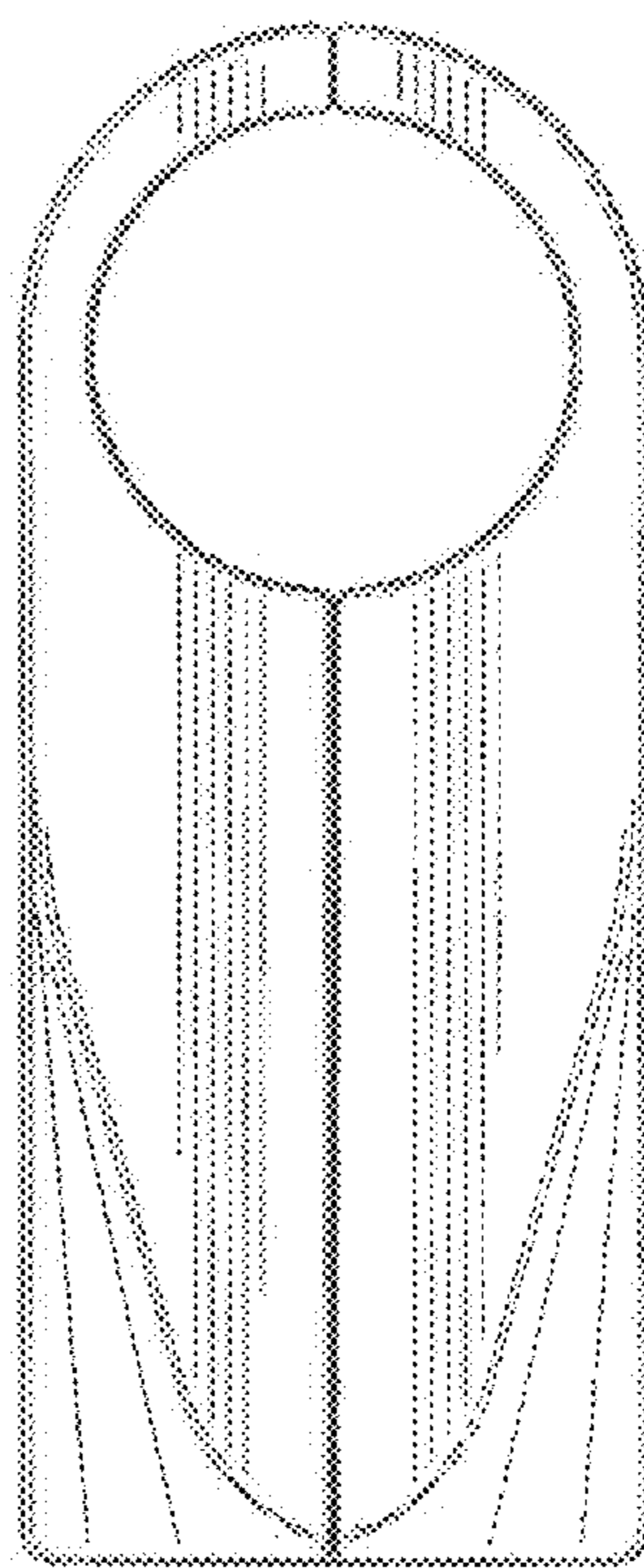


Fig.4

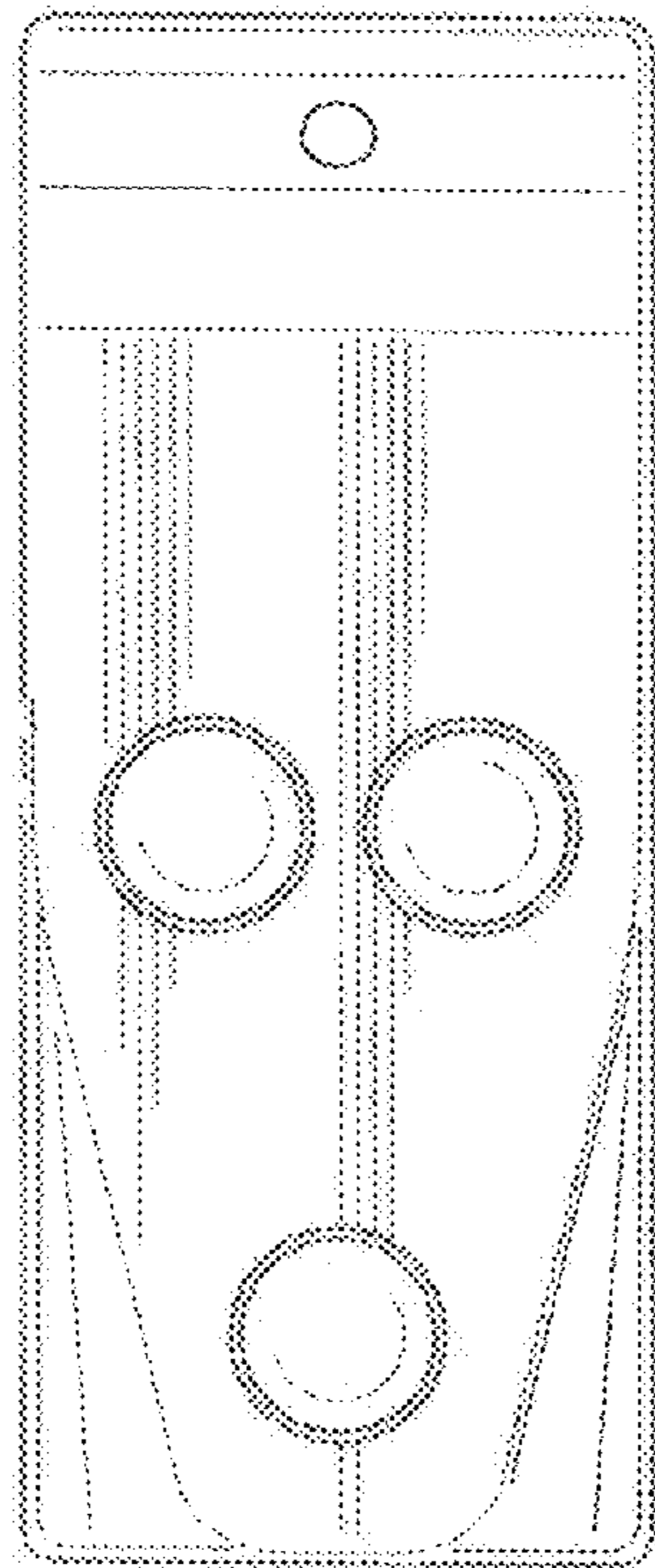


Fig.5

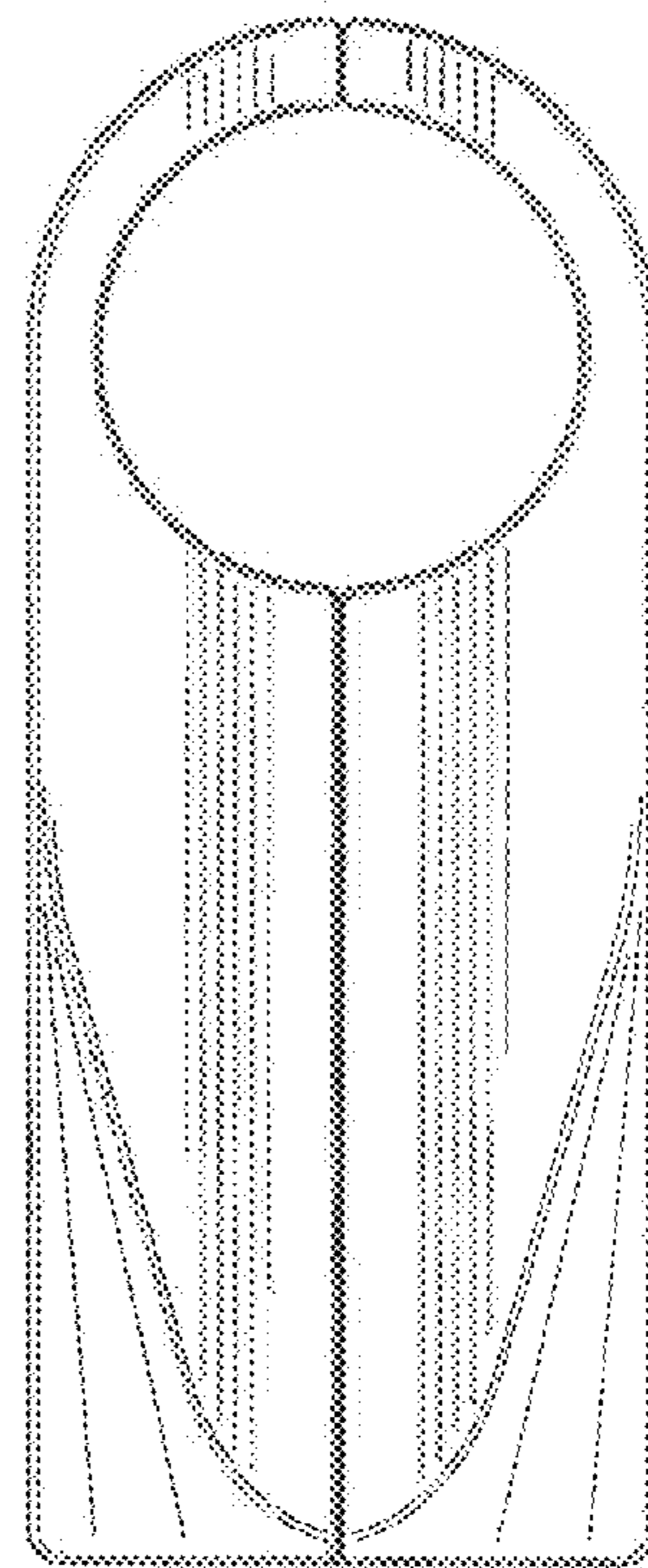


Fig.6

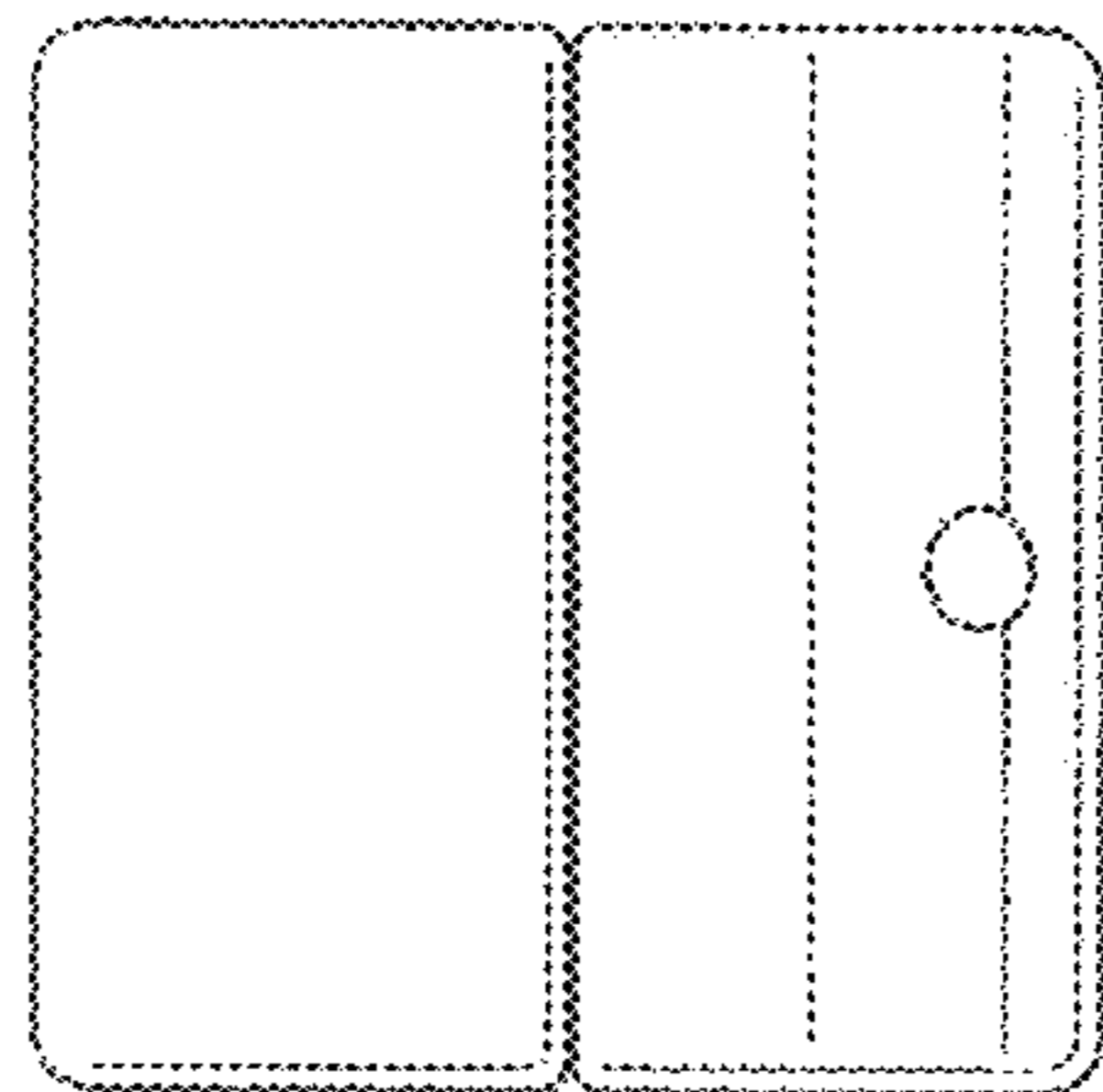


Fig.7

