



US00D728445S

(12) **United States Design Patent**
Colten et al.

(10) **Patent No.:** **US D728,445 S**

(45) **Date of Patent:** **** May 5, 2015**

(54) **FUSELAGE FOR A QUAD-ROTOR
CONVERTIBLE AIRCRAFT**

(71) Applicant: **Rosemount Aerospace Inc.**, Burnsville,
MN (US)

(72) Inventors: **Todd Michael Colten**, St. Paul, MN
(US); **Christopher Scott Gibson**,
Waxhaw, NC (US)

(73) Assignee: **Rosemount Aerospace Inc.**, Burnsville,
MN (US)

(**) Term: **14 Years**

(21) Appl. No.: **29/489,747**

(22) Filed: **May 2, 2014**

Related U.S. Application Data

(62) Division of application No. 29/462,516, filed on Aug.
5, 2013, now Pat. No. Des. 707,614.

(51) **LOC (10) Cl.** **12-07**

(52) **U.S. Cl.**
USPC **D12/319**; D12/16.1; D12/345; D21/447;
D21/450

(58) **Field of Classification Search**

CPC B64C 1/00; B64C 27/00; B64C 27/08;
B64C 27/32; B64C 29/00; B64C 39/024;
B64C 2201/027; B64C 2201/108; B64C
2201/12; B64C 2201/146; B64C 2001/0045;
B64C 2203/00; A63H 27/12
USPC D12/16.1, 319, 326, 327, 328, 329, 344,
D12/345; D21/430, 436, 441, 442, 447,
D21/450; 244/6, 7 R, 7 A, 17.11, 17.13,
244/17.23, 119; 446/34, 35, 36-38, 57, 58,
446/230, 232; 280/1.12, 1.21; 701/14, 15,
701/16

See application file for complete search history.

(56) **References Cited**

U.S. PATENT DOCUMENTS

D159,071	S	*	6/1950	Jones	D10/119.4
D202,454	S	*	9/1965	Smith	D12/344
3,253,806	A	*	5/1966	Eickmann	244/17.23
3,410,506	A	*	11/1968	Hayes	244/7 R
4,261,533	A	*	4/1981	Roberts et al.	244/7 R
D453,317	S	*	2/2002	DeTore et al.	D12/328
D466,858	S	*	12/2002	Carroll et al.	D12/337
D530,659	S	*	10/2006	Guering	D12/319
D628,528	S	*	12/2010	Cabezas Carrasco	D12/319
D648,808	S	*	11/2011	Seydoux et al.	D21/441
D691,514	S	*	10/2013	Wang et al.	D12/16.1
D707,614	S	*	6/2014	Colten et al.	D12/319
2007/0029439	A1	*	2/2007	Merems et al.	244/7 R
2009/0008497	A1	*	1/2009	Corsiglia et al.	244/17.11
2010/0243794	A1	*	9/2010	Jermyn	244/17.23
2011/0180656	A1	*	7/2011	Shue et al.	244/17.13
2012/0078451	A1	*	3/2012	Ohtomo et al.	701/15

* cited by examiner

Primary Examiner — Martie K Holtje

(74) *Attorney, Agent, or Firm* — Locke Lord LLP; Scott D.
Wofsy; Joshua L. Jones

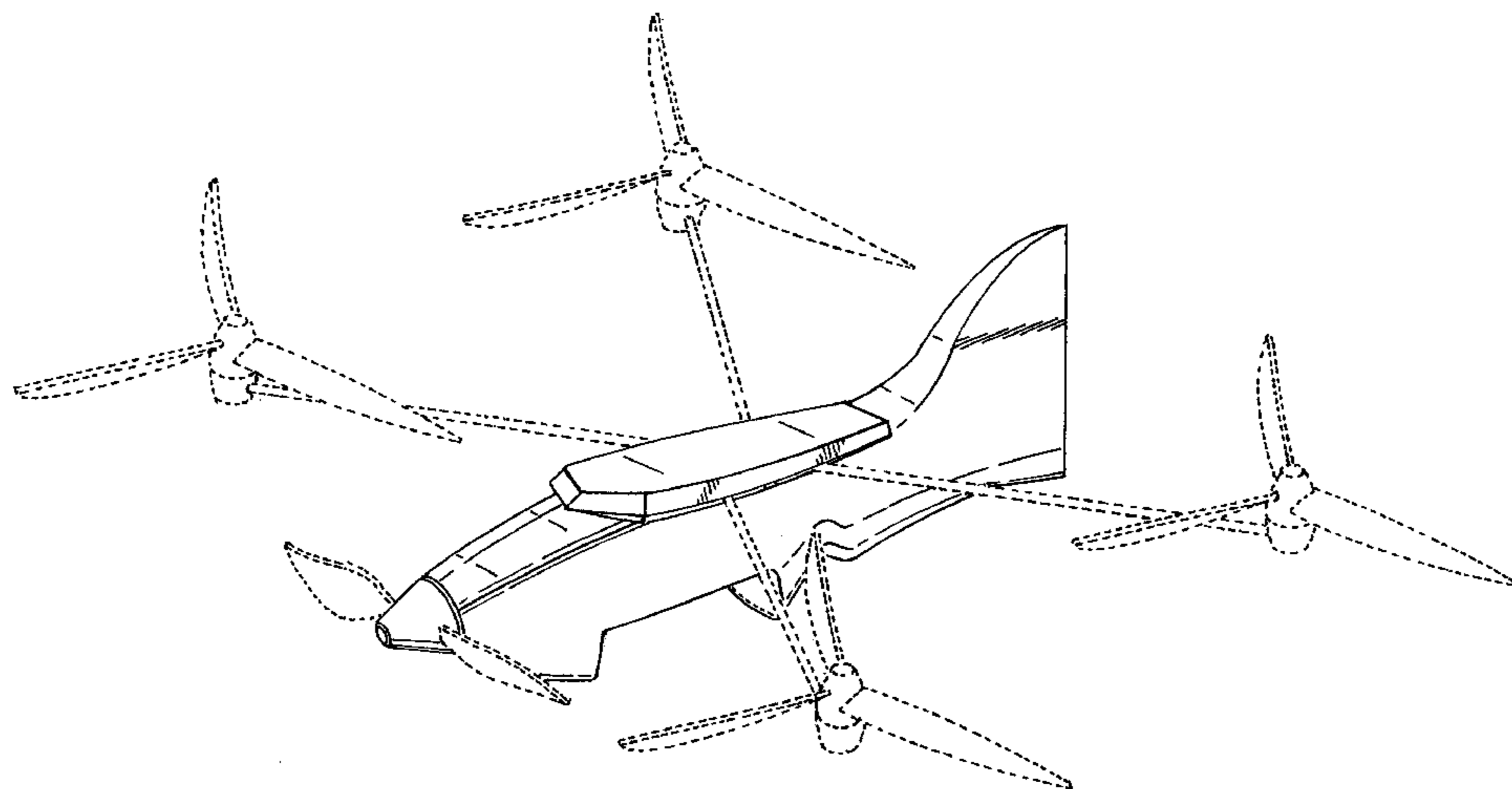
(57) **CLAIM**

The ornamental design for a Fuselage for a quad-rotor con-
vertible aircraft, as shown and described.

DESCRIPTION

FIG. 1 is a perspective view of a fuselage for a quad-rotor
convertible aircraft showing our new design;
FIG. 2 is a top plan view thereof;
FIG. 3 is a bottom plan view thereof;
FIG. 4 is a front elevational view thereof;
FIG. 5 is a rear elevational view thereof;
FIG. 6 is a right side elevational view thereof; and,
FIG. 7 is a left side elevational view thereof.
The structural features depicted by broken lines in the draw-
ings have been shown for the purpose of illustrating portions
of the fuselage for a quad-rotor convertible aircraft that form
no part of the claimed design.

1 Claim, 5 Drawing Sheets



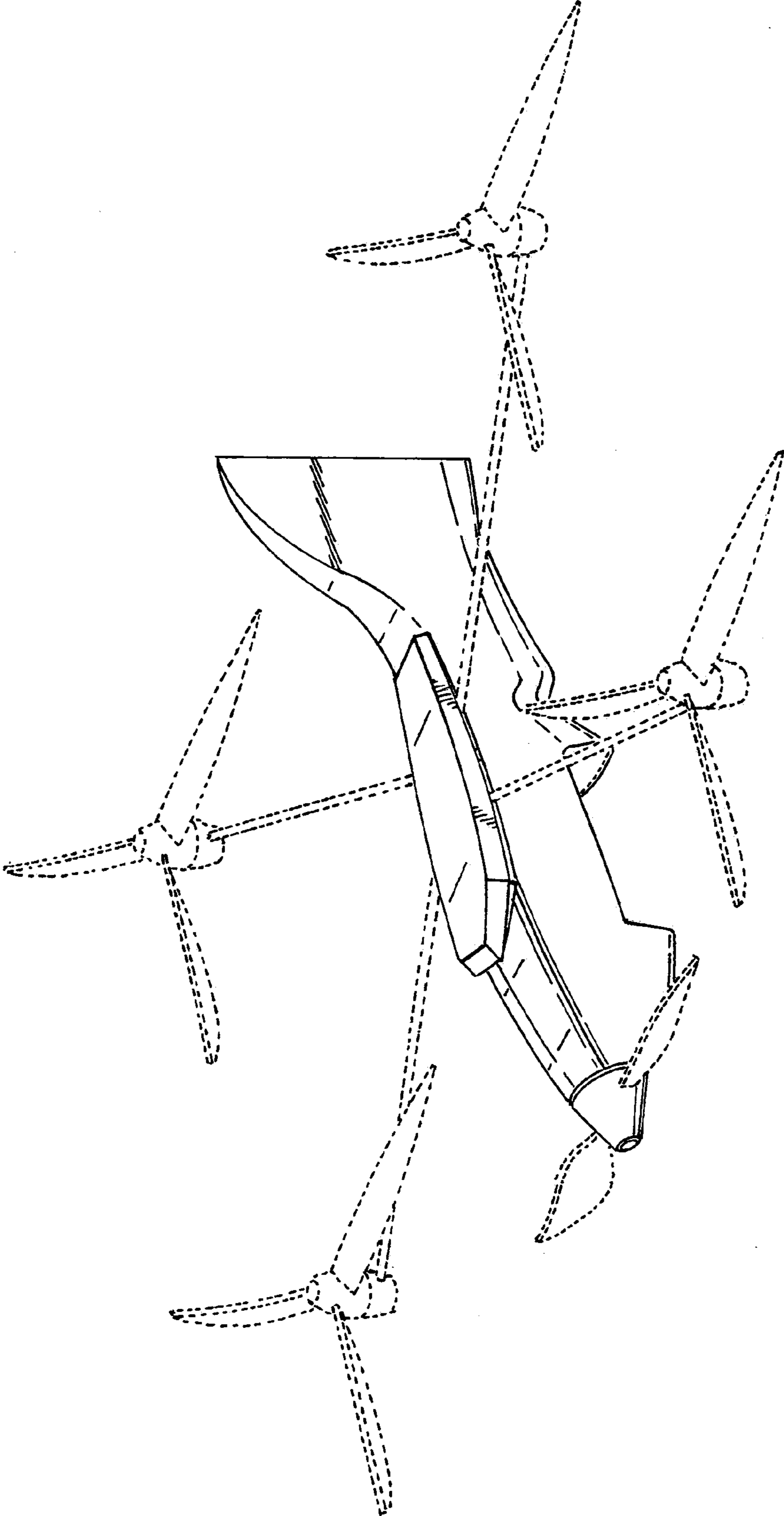


Fig. 1

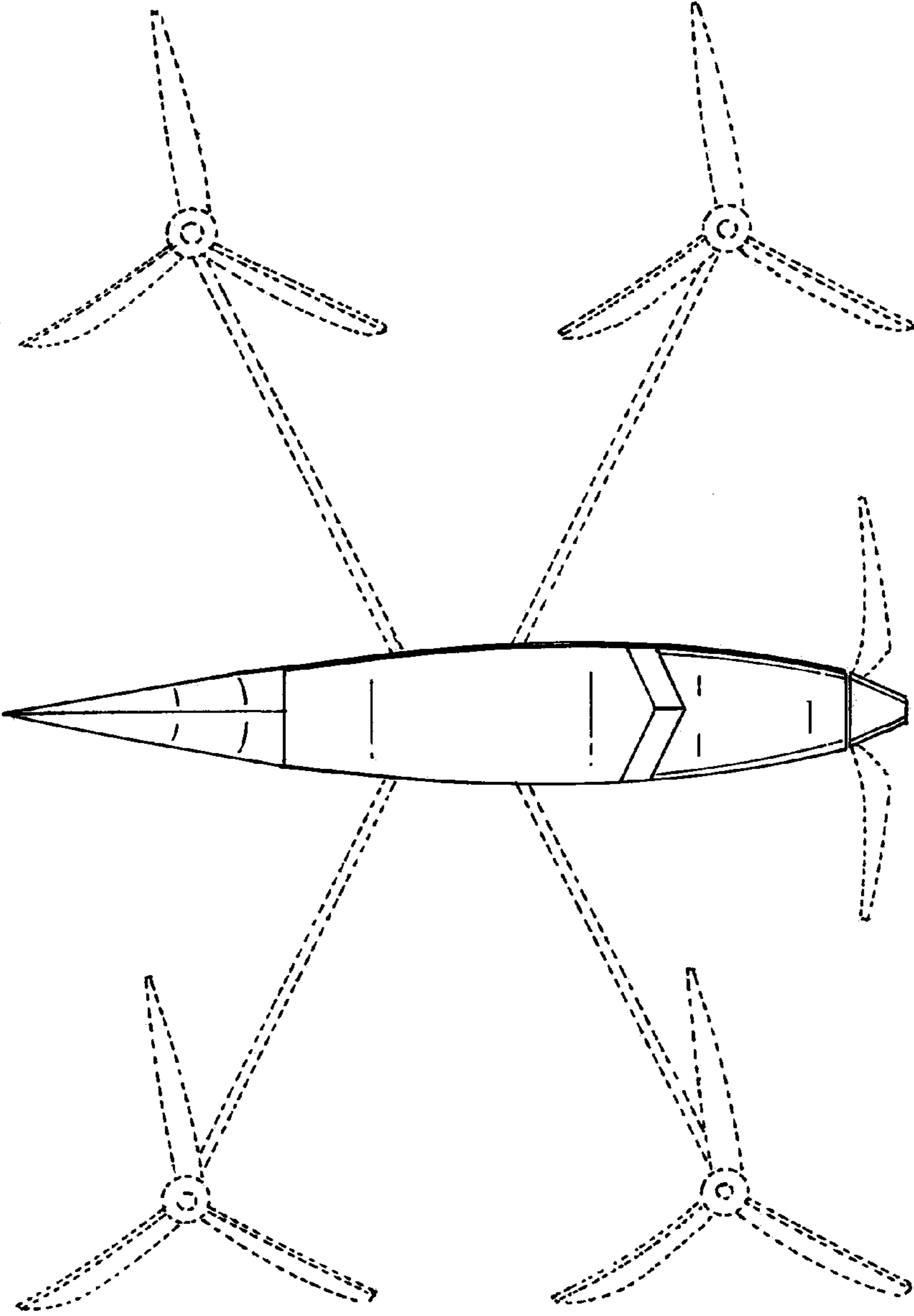


Fig. 2

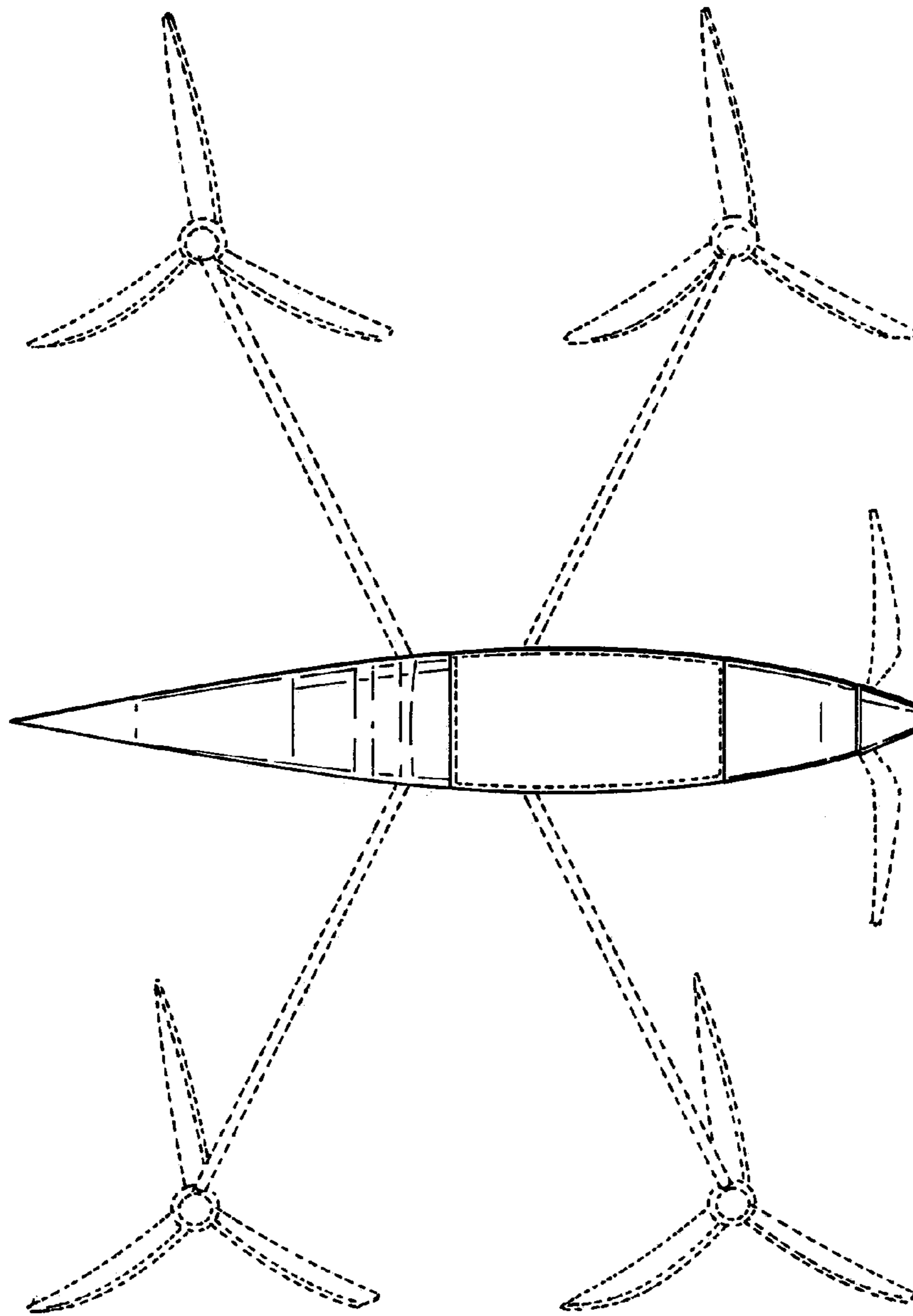


Fig. 3

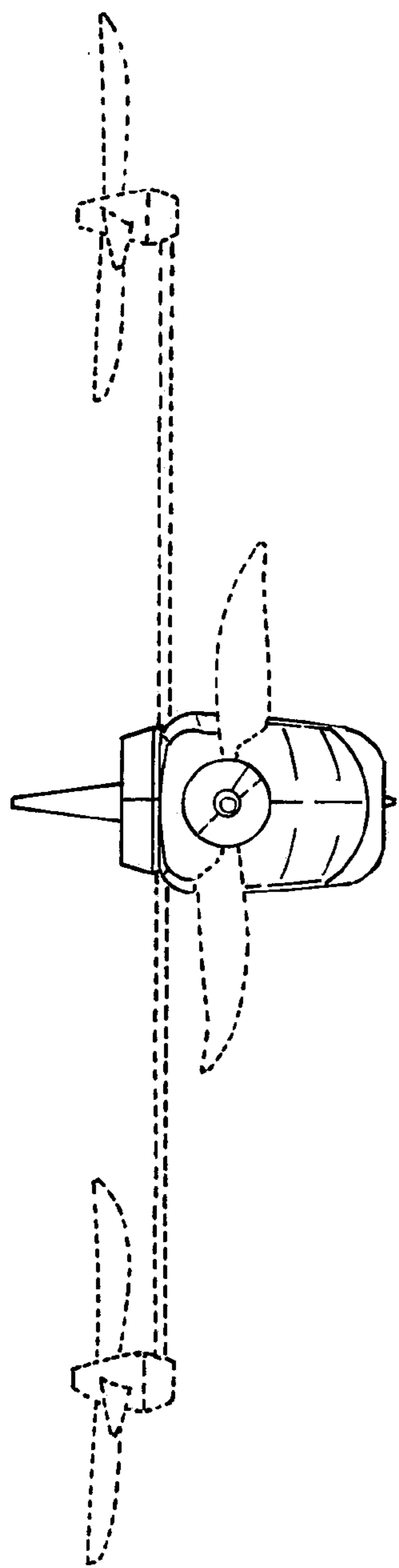


Fig. 4

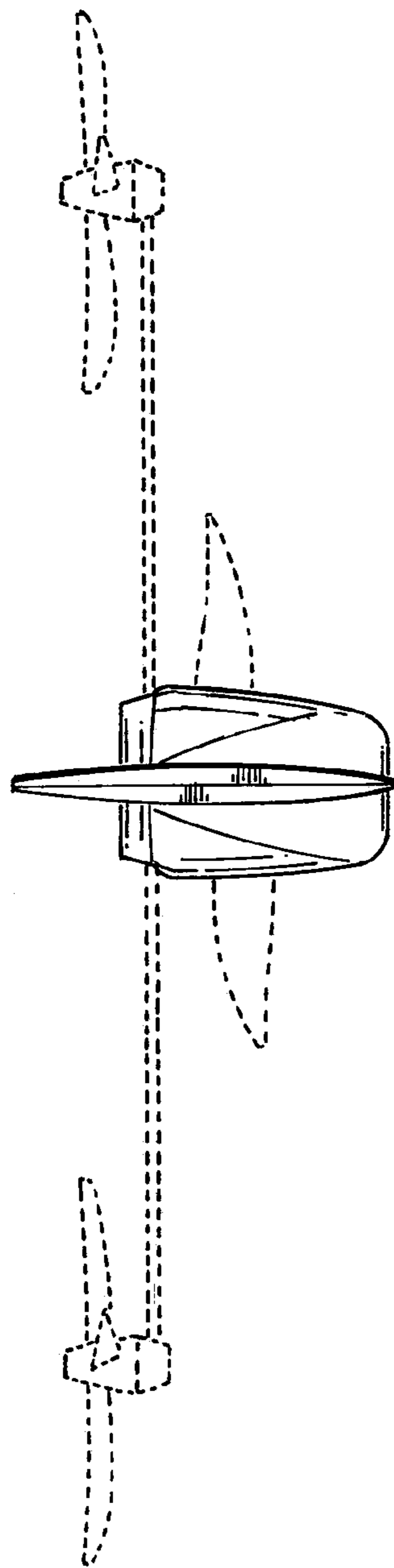


Fig. 5

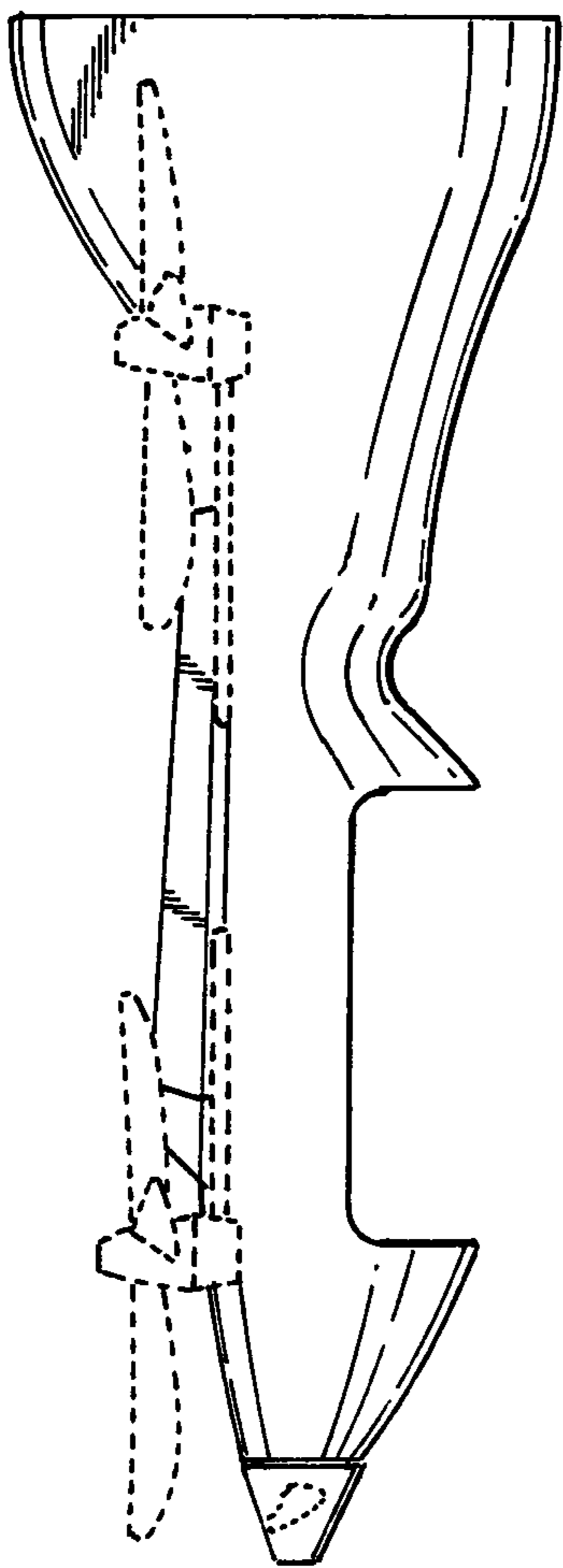


Fig. 6

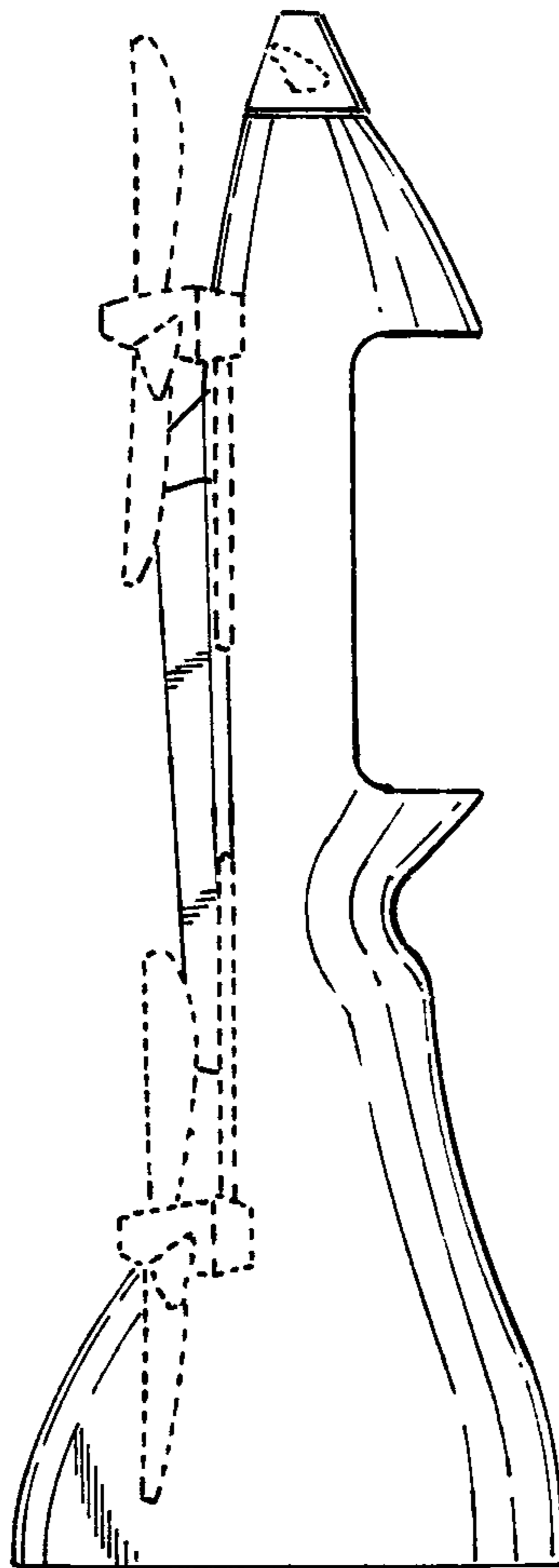


Fig. 7