



US00D728439S

(12) **United States Design Patent**
Hashimoto

(10) **Patent No.:** **US D728,439 S**

(45) **Date of Patent:** **** May 5, 2015**

(54) **VEHICLE WHEEL**

(71) Applicant: **Kawasaki Jukogyo Kabushiki Kaisha,**
Hyogo (JP)

(72) Inventor: **Naoki Hashimoto,** Kakogawa (JP)

(73) Assignee: **Kawasaki Jukogyo Kabushiki Kaisha,**
Hyogo (JP)

(**) Term: **14 Years**

(21) Appl. No.: **29/474,141**

(22) Filed: **Jun. 16, 2014**

(51) **LOC (10) Cl.** **12-16**

(52) **U.S. Cl.**
USPC **D12/204**

(58) **Field of Classification Search**
CPC B60B 7/00; B60B 7/02; B60B 7/04;
B60B 7/01; B60B 7/06; B60B 3/02; B60B
3/04; B60B 3/06; B60B 3/10; B60B 1/00;
B60B 1/08; B60B 1/10; B60B 1/12
USPC D12/204-213
See application file for complete search history.

(56) **References Cited**

U.S. PATENT DOCUMENTS

D256,452 S	*	8/1980	Wolff	D12/204
D478,541 S	*	8/2003	Sulahian	D12/209
D502,136 S	*	2/2005	Pfeiffer	D12/211
D533,126 S	*	12/2006	Looho	D12/209

D535,008 S	*	1/2007	Wu	D12/209
D539,203 S	*	3/2007	Danbom et al.	D12/204
D540,731 S	*	4/2007	Evans et al.	D12/209
D542,723 S	*	5/2007	Bruntz et al.	D12/204
D560,586 S	*	1/2008	Cheng	D12/209
D613,227 S	*	4/2010	Mueller-Stolz	D12/209
D618,154 S	*	6/2010	Zhao	D12/209
D618,606 S	*	6/2010	Zhao	D12/209
D642,106 S	*	7/2011	Antoniadis et al.	D12/209
D673,090 S	*	12/2012	Lemke	D12/204

* cited by examiner

Primary Examiner — Stacia Cadmus

(57) **CLAIM**

The ornamental design for a vehicle wheel, as shown and described.

DESCRIPTION

FIG. 1 is a front elevational view of a vehicle wheel showing my new design;
FIG. 2 is a rear elevational view thereof;
FIG. 3 is a left side elevational view thereof, the right side view being a mirror image of that shown;
FIG. 4 is a top plan view thereof, the bottom plan view being a mirror image of that shown;
FIG. 5 is a front perspective view thereof; and,
FIG. 6 is a rear perspective view thereof.
The subject vehicle wheel is installed in a vehicle such as a utility vehicle.

1 Claim, 6 Drawing Sheets

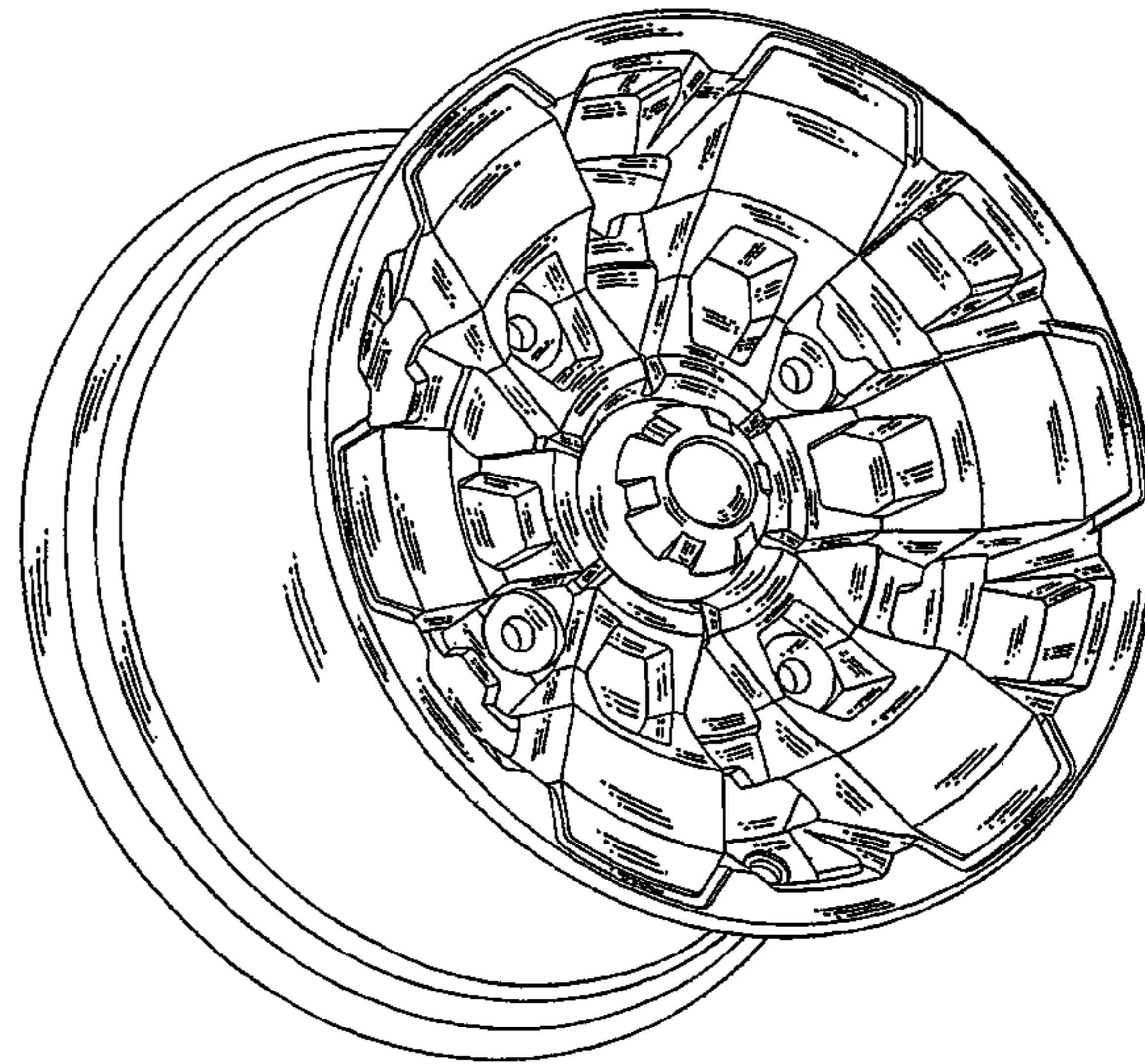
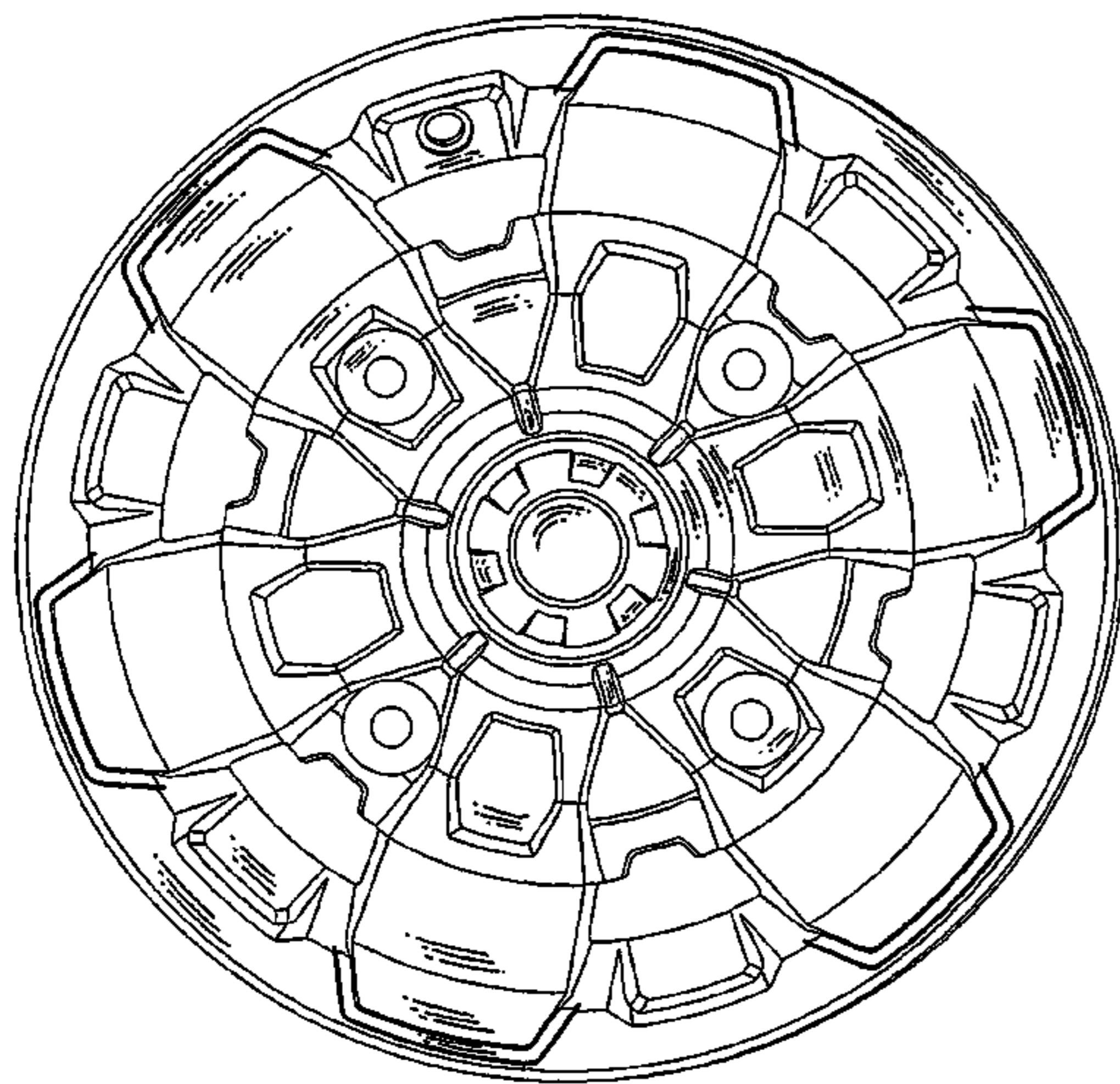


Fig. 1

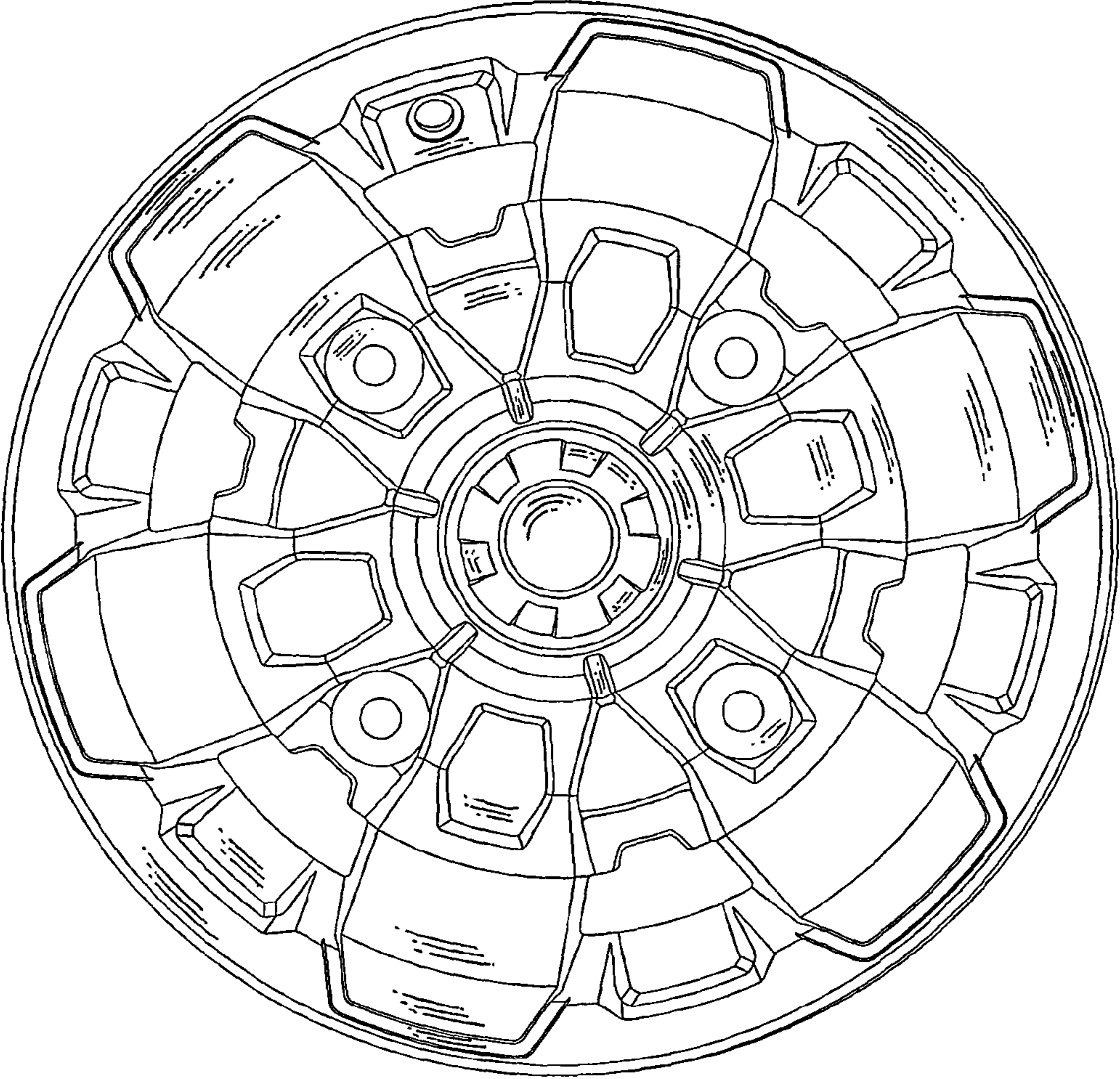


Fig. 2

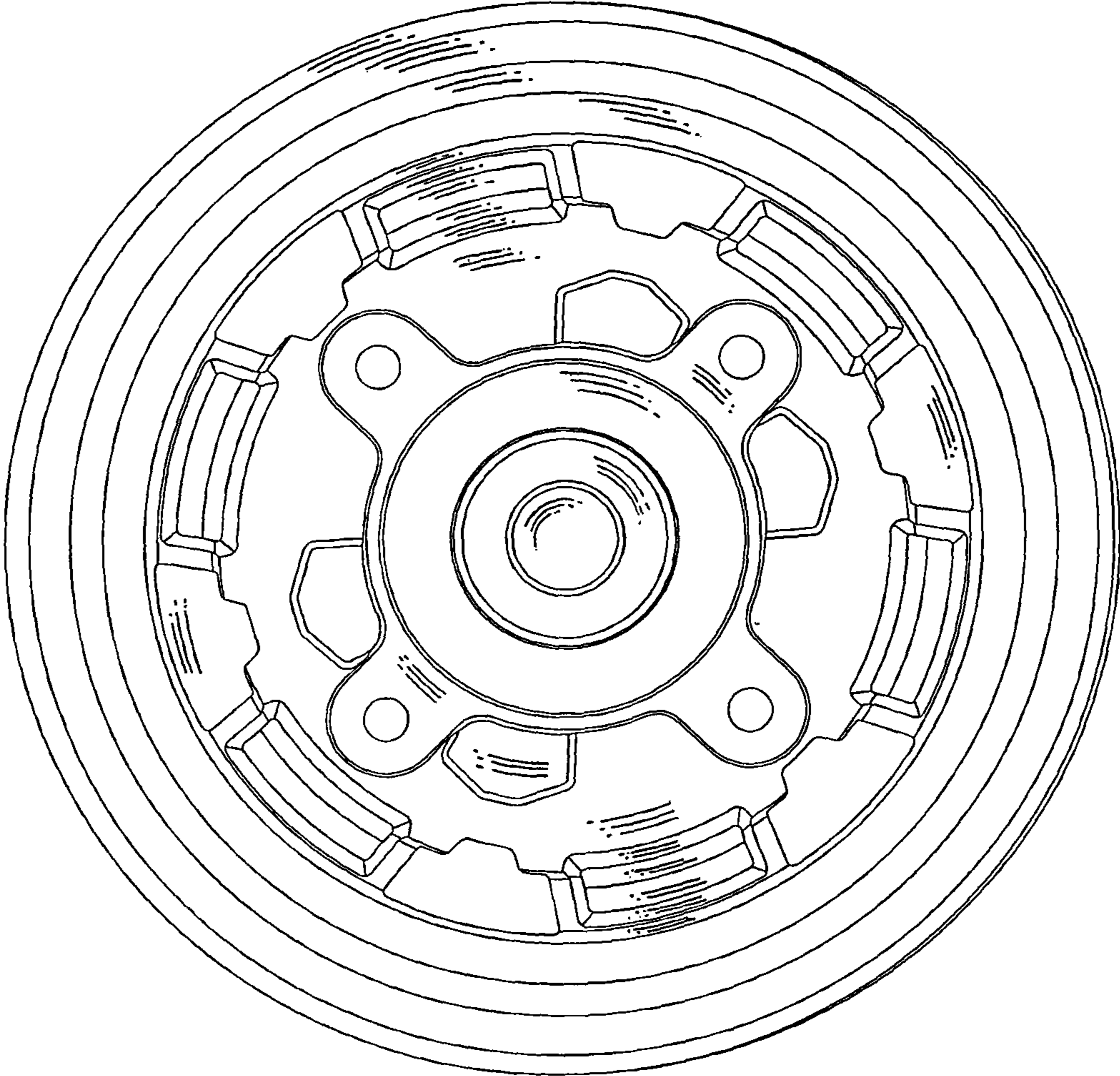


Fig. 3

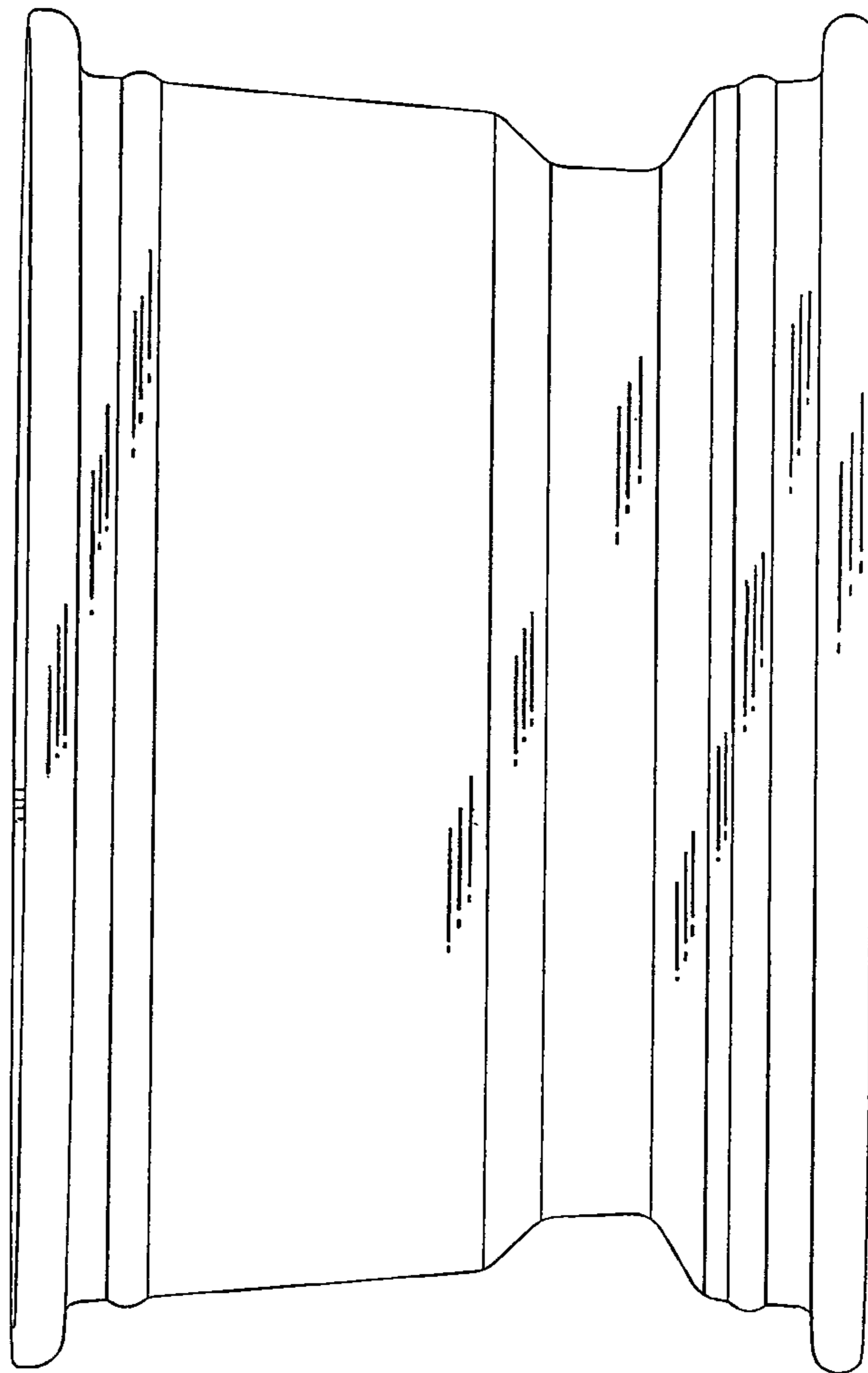


Fig. 4

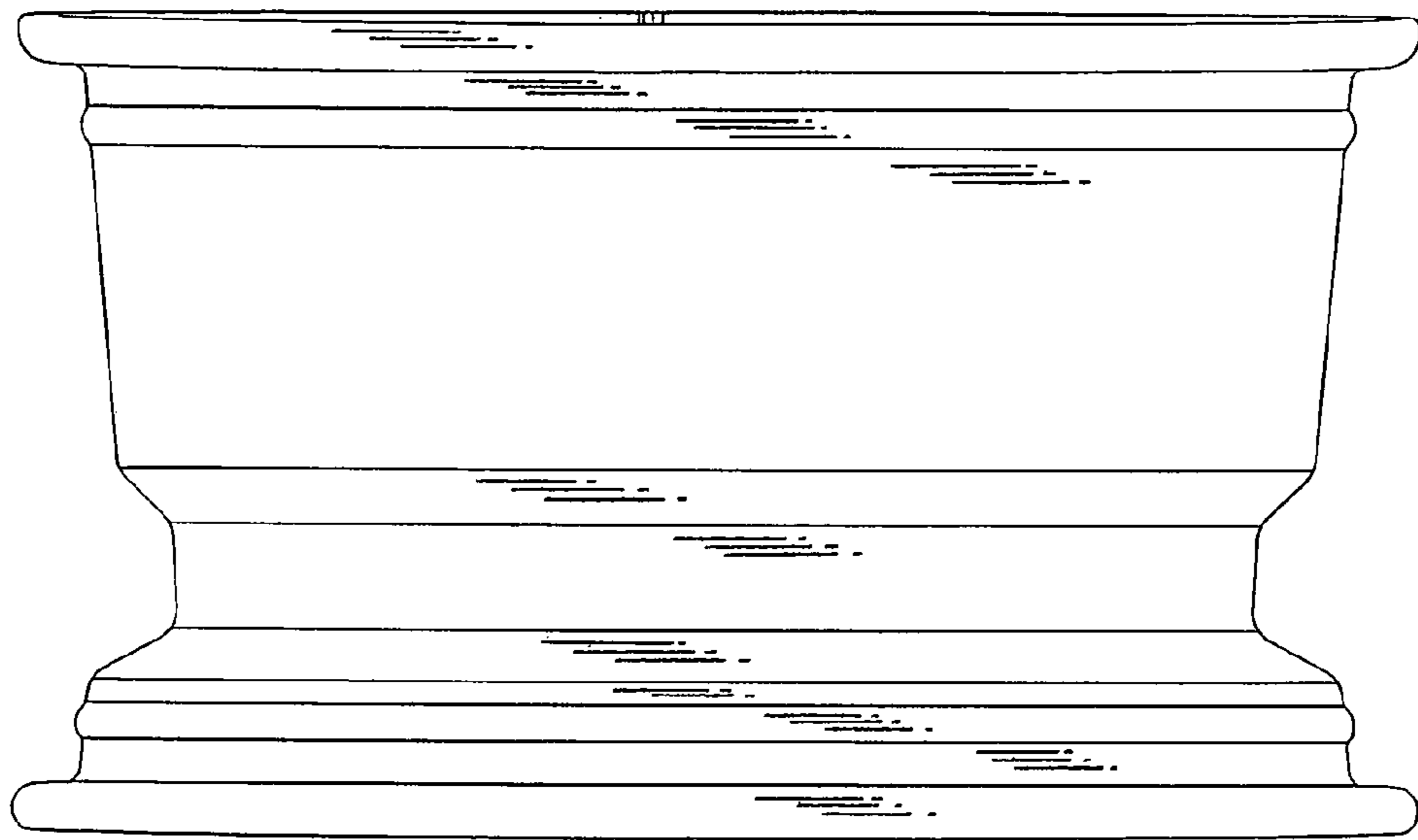


Fig. 5

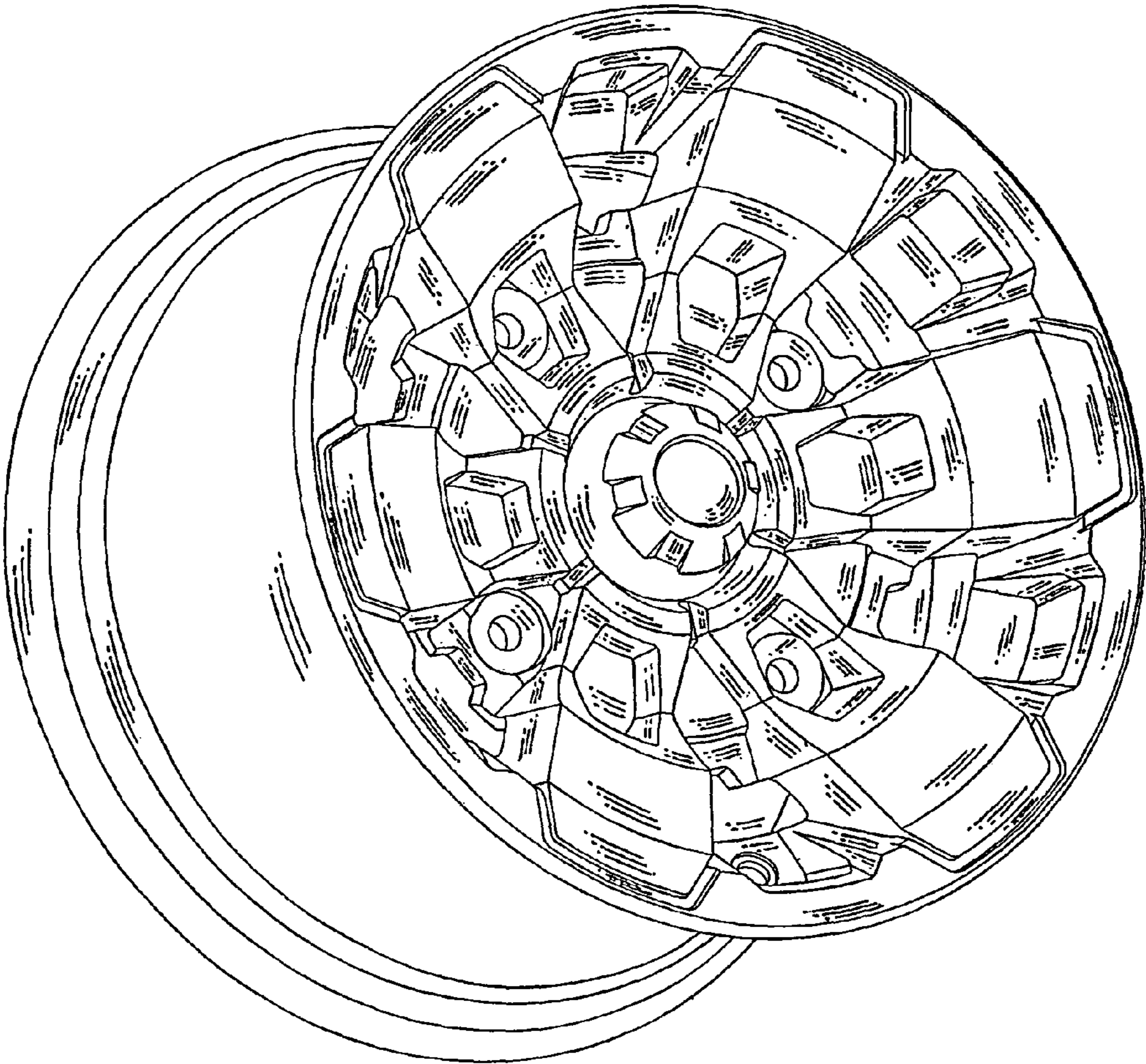


Fig. 6

