



US00D728434S

(12) **United States Design Patent**  
**Borkholder**

(10) **Patent No.:** **US D728,434 S**

(45) **Date of Patent:** **\*\* May 5, 2015**

(54) **ANTI-RATTLE HITCH TIGHTENER**

(56) **References Cited**

(71) Applicant: **Carl Borkholder**, Bremen, IN (US)

U.S. PATENT DOCUMENTS

(72) Inventor: **Carl Borkholder**, Bremen, IN (US)

D576,085	S	*	9/2008	Devlin	.....	D12/162
D591,208	S	*	4/2009	Wubker, Jr.	.....	D12/162
D612,775	S	*	3/2010	Davis	.....	D12/162
D620,403	S	*	7/2010	Blankenship et al.	.....	D12/162
D628,128	S	*	11/2010	Sanders et al.	.....	D12/162
D688,168	S	*	8/2013	Buschman	.....	D12/162
D698,286	S	*	1/2014	Mason	.....	D12/162
D698,287	S	*	1/2014	Terpsma	.....	D12/162

(\*\*) Term: **14 Years**

(21) Appl. No.: **29/501,581**

\* cited by examiner

(22) Filed: **Sep. 5, 2014**

(51) **LOC (10) Cl.** ..... **12-16**

*Primary Examiner* — Katrina A Betton

(52) **U.S. Cl.**

(74) *Attorney, Agent, or Firm* — Botkin & Hall, LLP

USPC ..... **D12/162**

(57) **CLAIM**

(58) **Field of Classification Search**

The ornamental design for an anti-rattle hitch tightener, as shown and described.

USPC ..... D12/162, 159–161; 56/DIG. 14; 37/399;  
 280/406.2, 407, 407.1, 408, 411.1,  
 280/416.1–416.3, 418, 418.1, 433, 434,  
 280/435, 441.1, 441.2, 455.1, 456.1, 480,  
 280/493, 504, 507, 508; 224/42.11, 42.12,  
 224/42.14, 42.26, 400, 401, 412, 413, 488,  
 224/494, 500–501, 519, 537; 135/88.05;  
 150/166

**DESCRIPTION**

FIG. 1 is an isometric view of the anti-rattle hitch tightener;  
 FIG. 2 is a top view of the anti-rattle hitch tightener of FIG. 1;  
 FIG. 3 is a side view of the anti-rattle hitch tightener of FIG. 1;  
 FIG. 4 is a front view of the anti-rattle hitch tightener of FIG. 1; and,  
 FIG. 5 is a bottom view of the anti-rattle hitch tightener of FIG. 1.

See application file for complete search history.

**1 Claim, 3 Drawing Sheets**

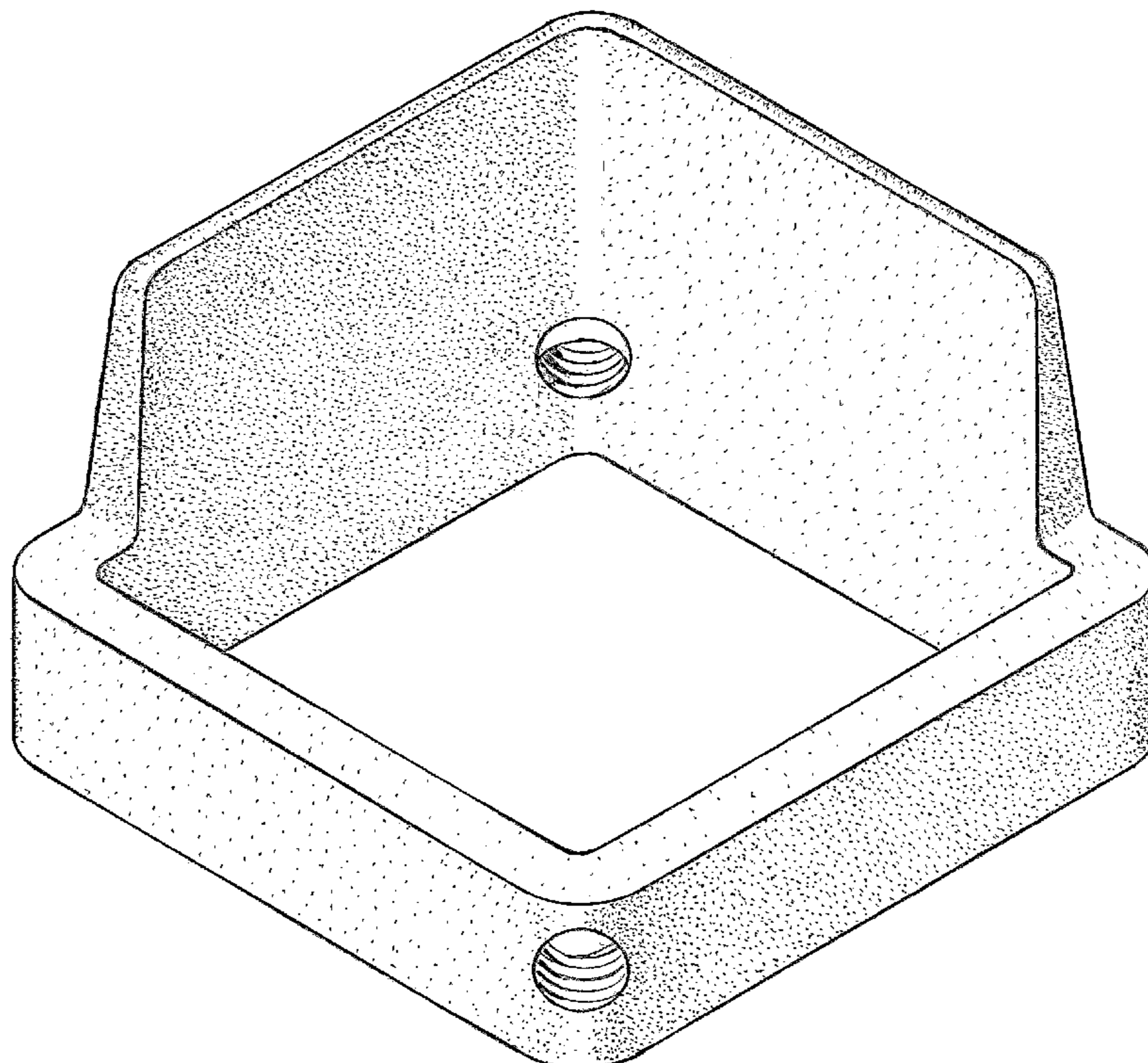


FIG. 1

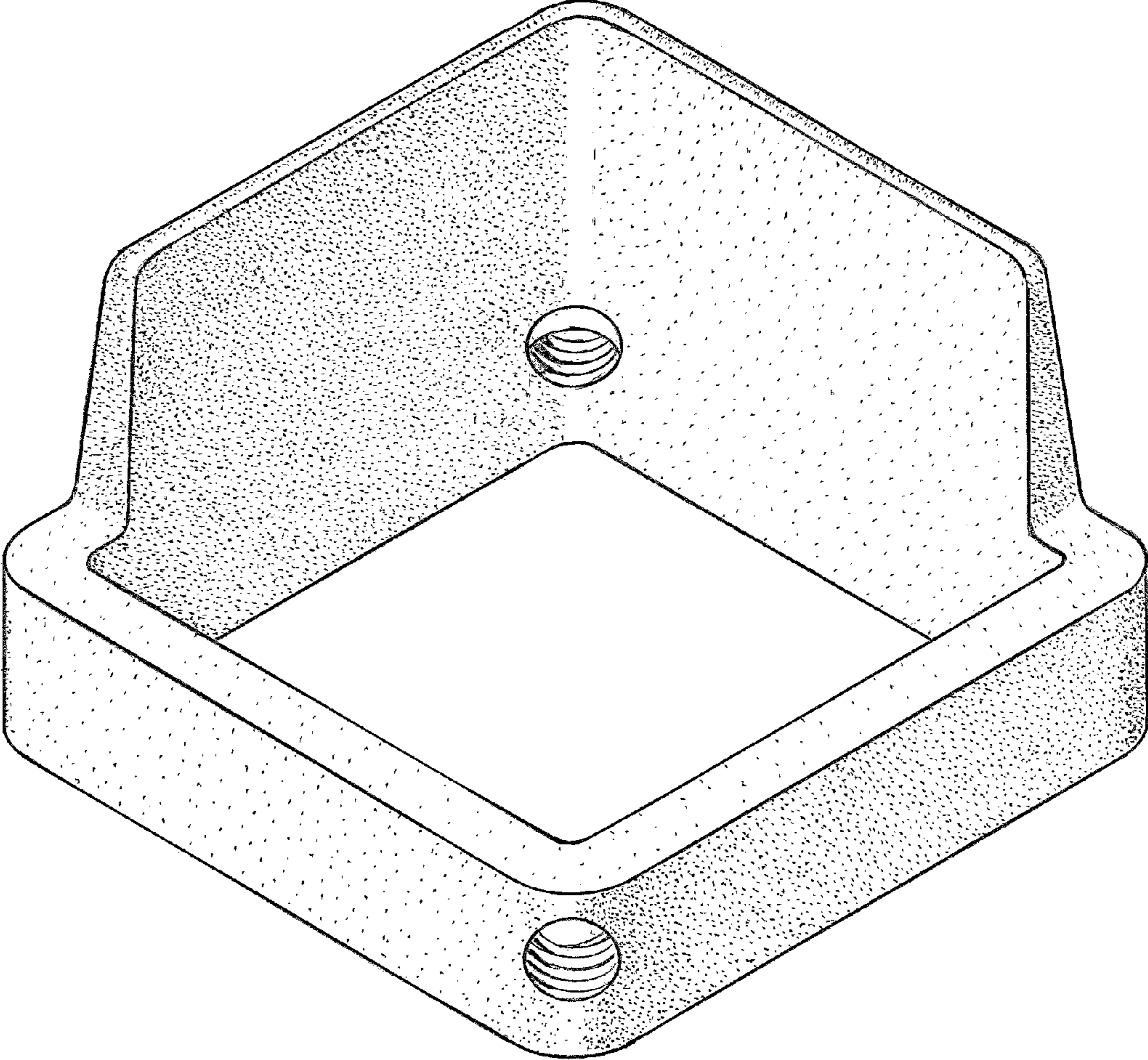


FIG.2

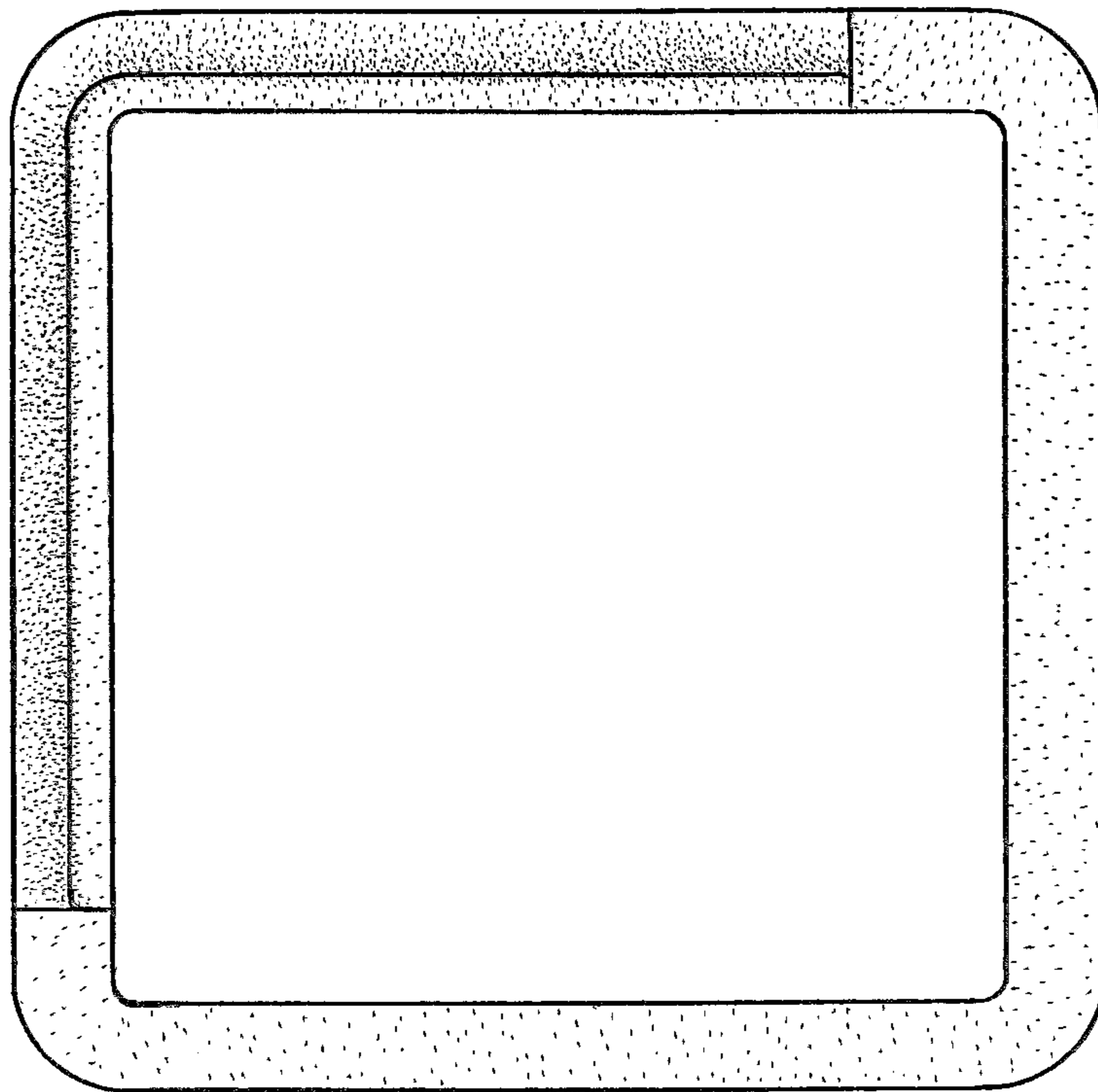


FIG.3

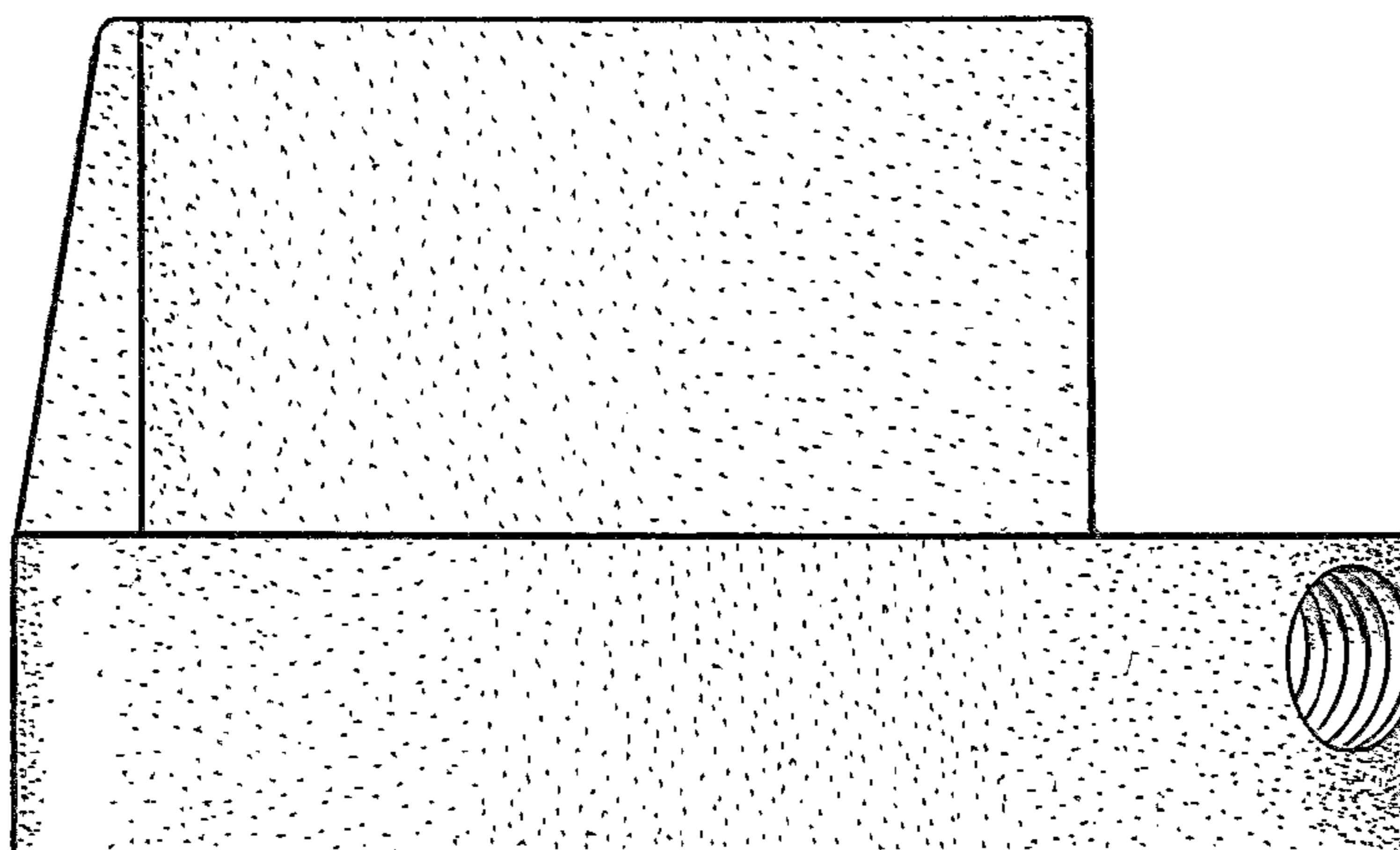


FIG.4

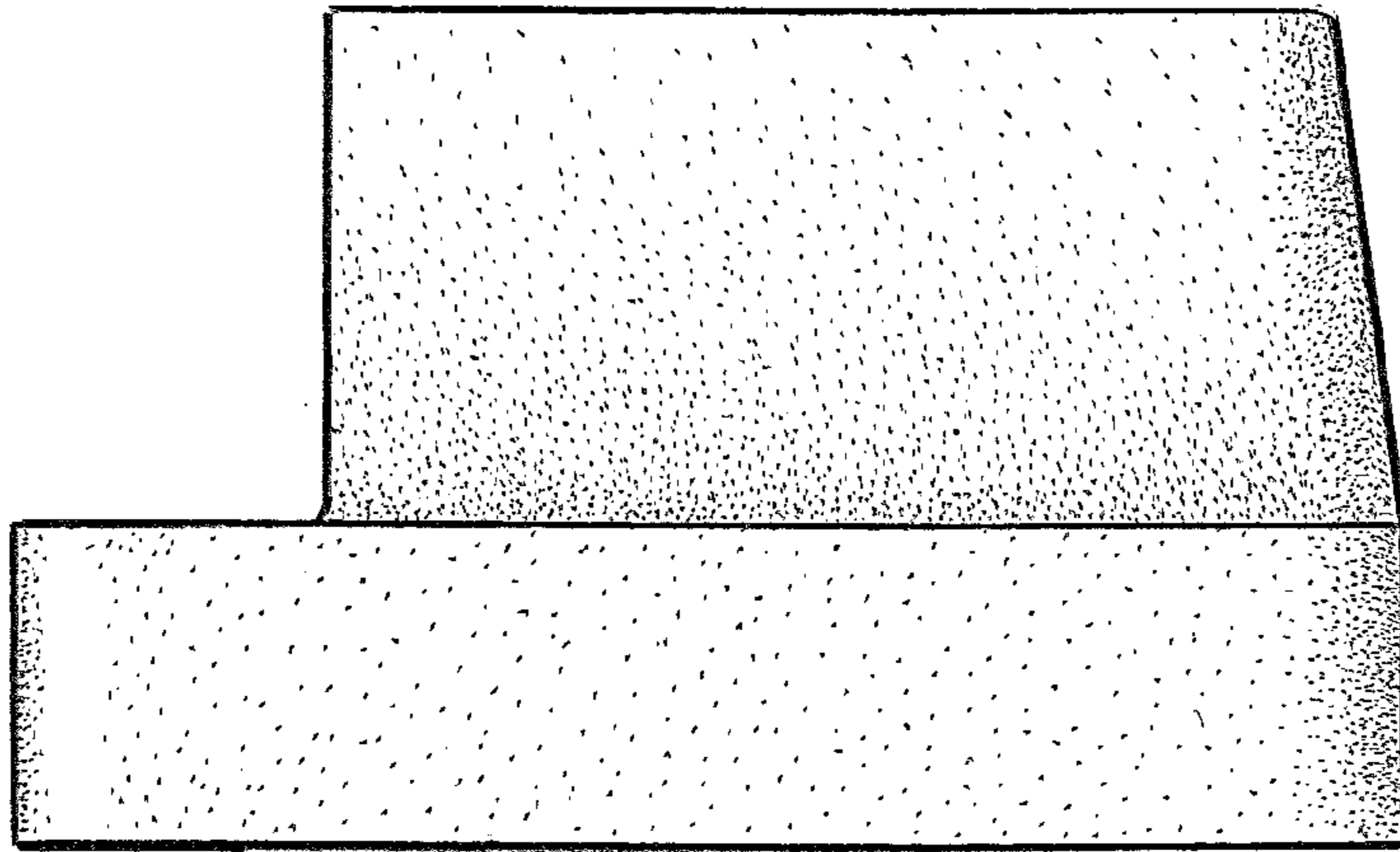


FIG.5

