



US00D728433S

(12) **United States Design Patent**
Nishida

(10) **Patent No.:** **US D728,433 S**

(45) **Date of Patent:** **** May 5, 2015**

(54) **SITTING SQUARE AID WITH TABLE**

(71) Applicant: **Fukumitsu Tekkou Co., Ltd.,**
Yamaguchi (JP)

(72) Inventor: **Takahiro Nishida,** Yamaguchi (JP)

(73) Assignee: **Fukumitsu Tekkou Co., Ltd.,**
Yamaguchi (JP)

(**) Term: **14 Years**

(21) Appl. No.: **29/480,107**

(22) Filed: **Jan. 23, 2014**

(30) **Foreign Application Priority Data**

Aug. 2, 2013 (JP) 2013-19018

(51) **LOC (10) Cl.** **12-12**

(52) **U.S. Cl.**
USPC **D12/128; D6/406.1**

(58) **Field of Classification Search**

USPC D12/128-133; 280/62, 647-650, 29,
280/200, 47.38, 250.1, 259, 642, 658,
280/304.1, 87.021, 47.34; 128/99.1, 100.1;
D6/406.1, 406.2, 708.17; 180/19.2;
482/68

See application file for complete search history.

(56) **References Cited**

U.S. PATENT DOCUMENTS

D261,837 S * 11/1981 Sonder et al. D6/406.2
4,545,085 A * 10/1985 Feldt 5/87.1

D407,999 S * 4/1999 Greaves et al. D12/128
6,743,156 B1 * 6/2004 Jacques et al. 482/68
D493,977 S * 8/2004 Rossini et al. D6/426
7,111,856 B1 * 9/2006 Graham 280/87.021
7,494,138 B2 * 2/2009 Graham 280/87.021
7,866,677 B1 * 1/2011 Rothstein et al. 280/47.34
8,020,815 B2 * 9/2011 Cox 248/121
D654,832 S * 2/2012 Pettersson et al. D12/133
D654,833 S * 2/2012 Pettersson et al. D12/133
8,627,909 B2 * 1/2014 Chang et al. 180/19.2

* cited by examiner

Primary Examiner — Ian Simmons

Assistant Examiner — Charles Hanson

(74) *Attorney, Agent, or Firm* — Osha Liang LLP

(57) **CLAIM**

The ornamental design for a sitting square aid with table, as shown and described.

DESCRIPTION

FIG. 1 is a perspective view of the design according to the invention.

FIG. 2 is a front view of the design according to the invention.

FIG. 3 is a rear view of the design according to the invention.

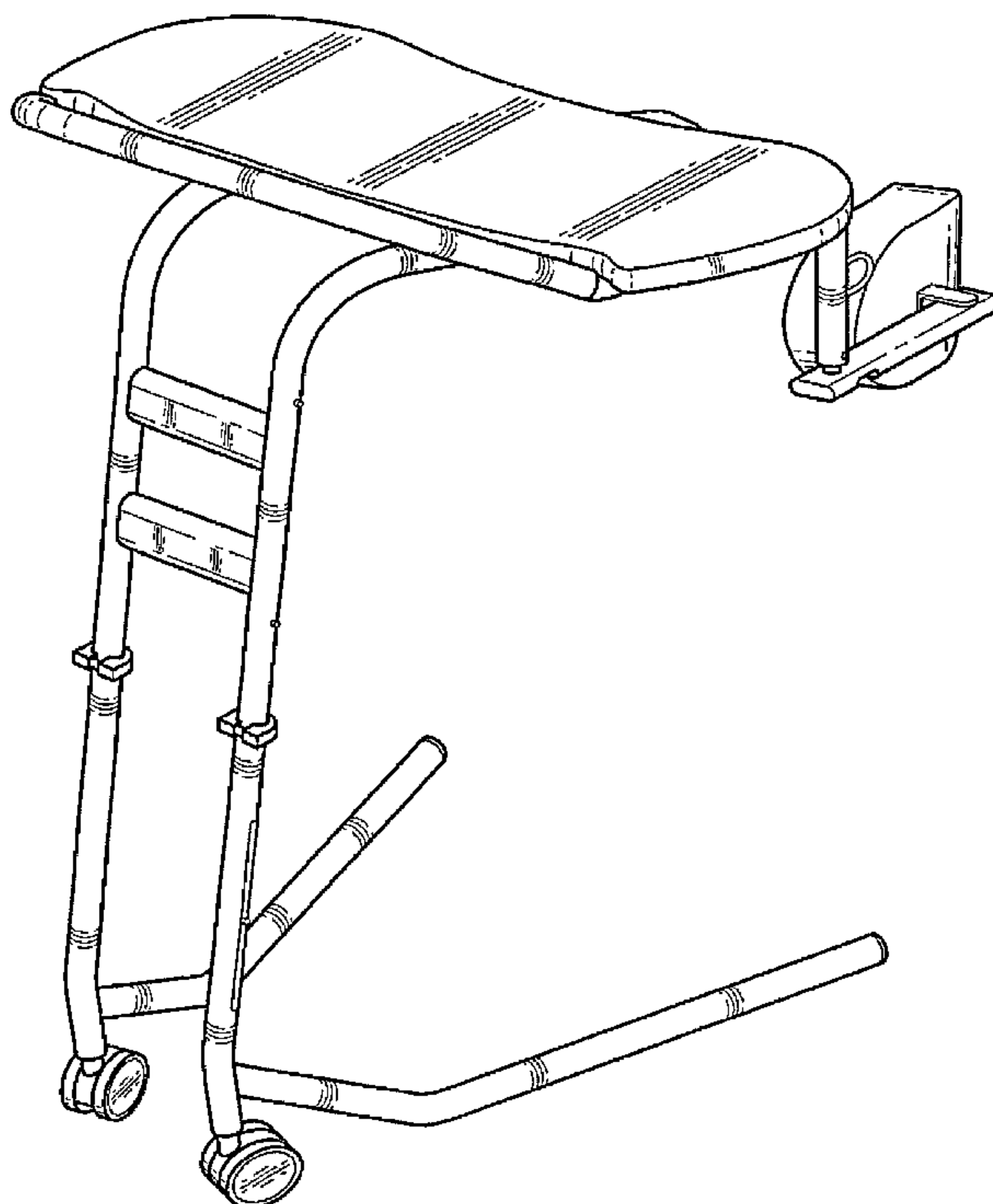
FIG. 4 is a right side view of the design according to the invention.

FIG. 5 is a left side view of the design according to the invention.

FIG. 6 is a top view of the design according to the invention; and,

FIG. 7 is a bottom view of the design according to the invention.

1 Claim, 7 Drawing Sheets



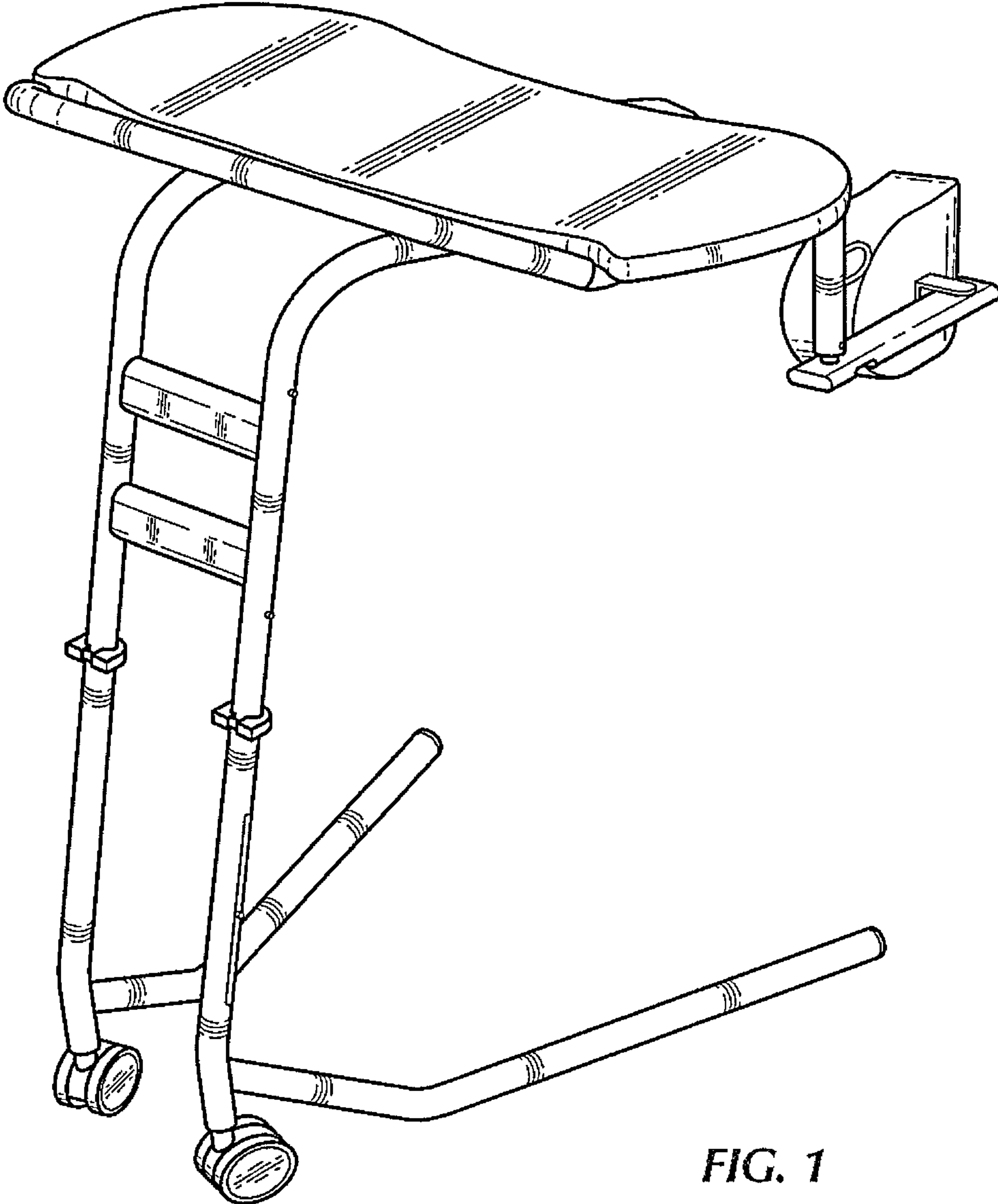


FIG. 1

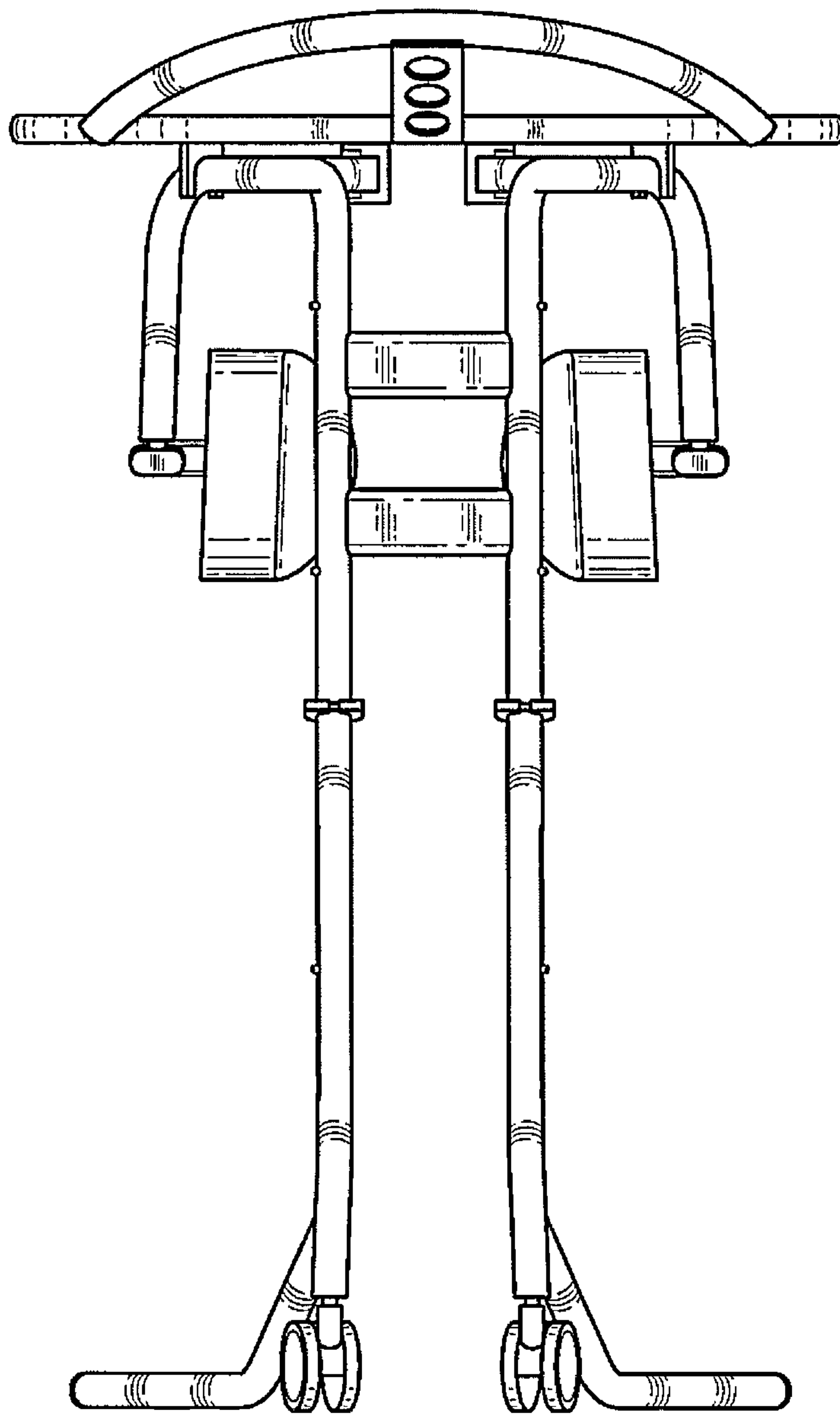


FIG. 2

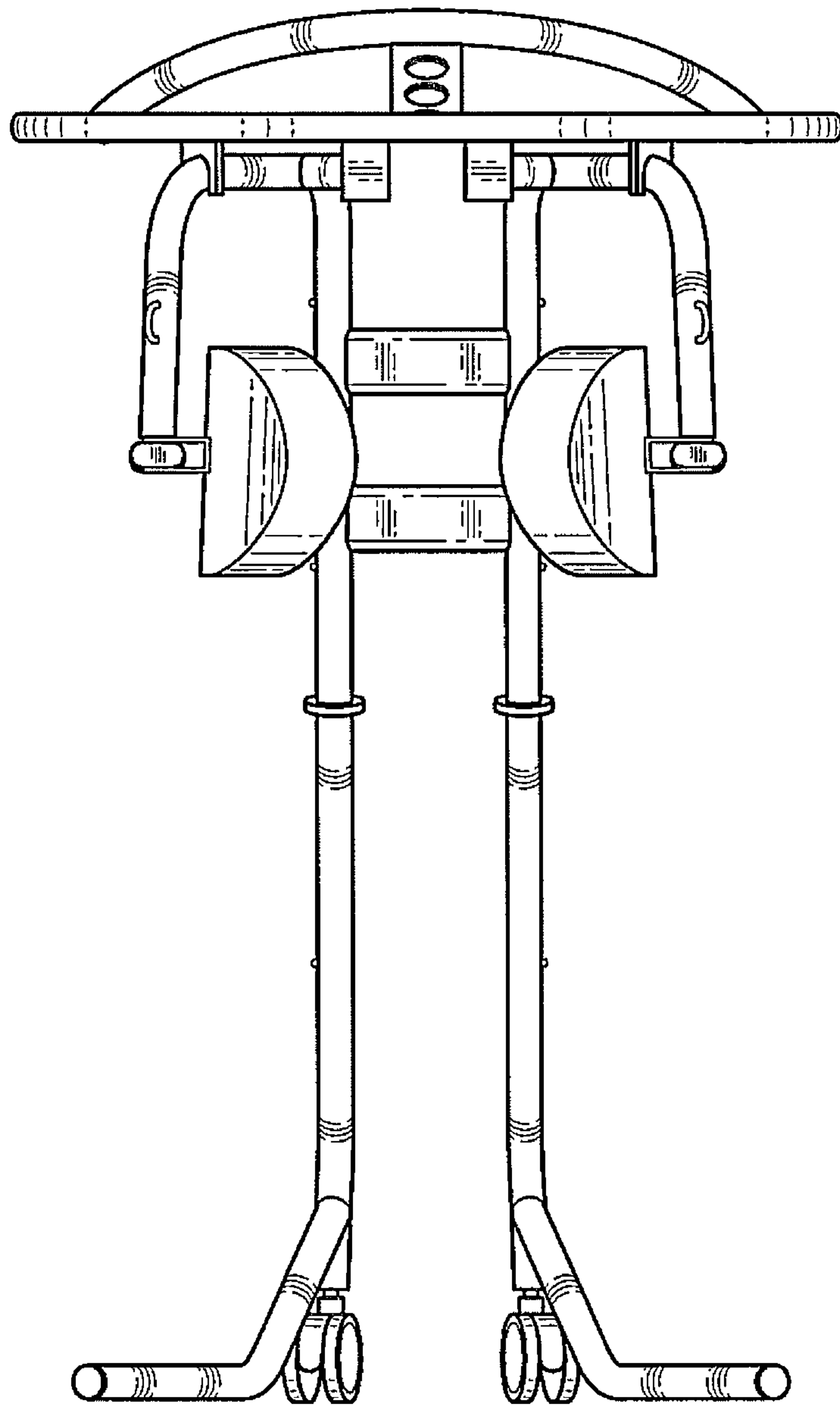


FIG. 3

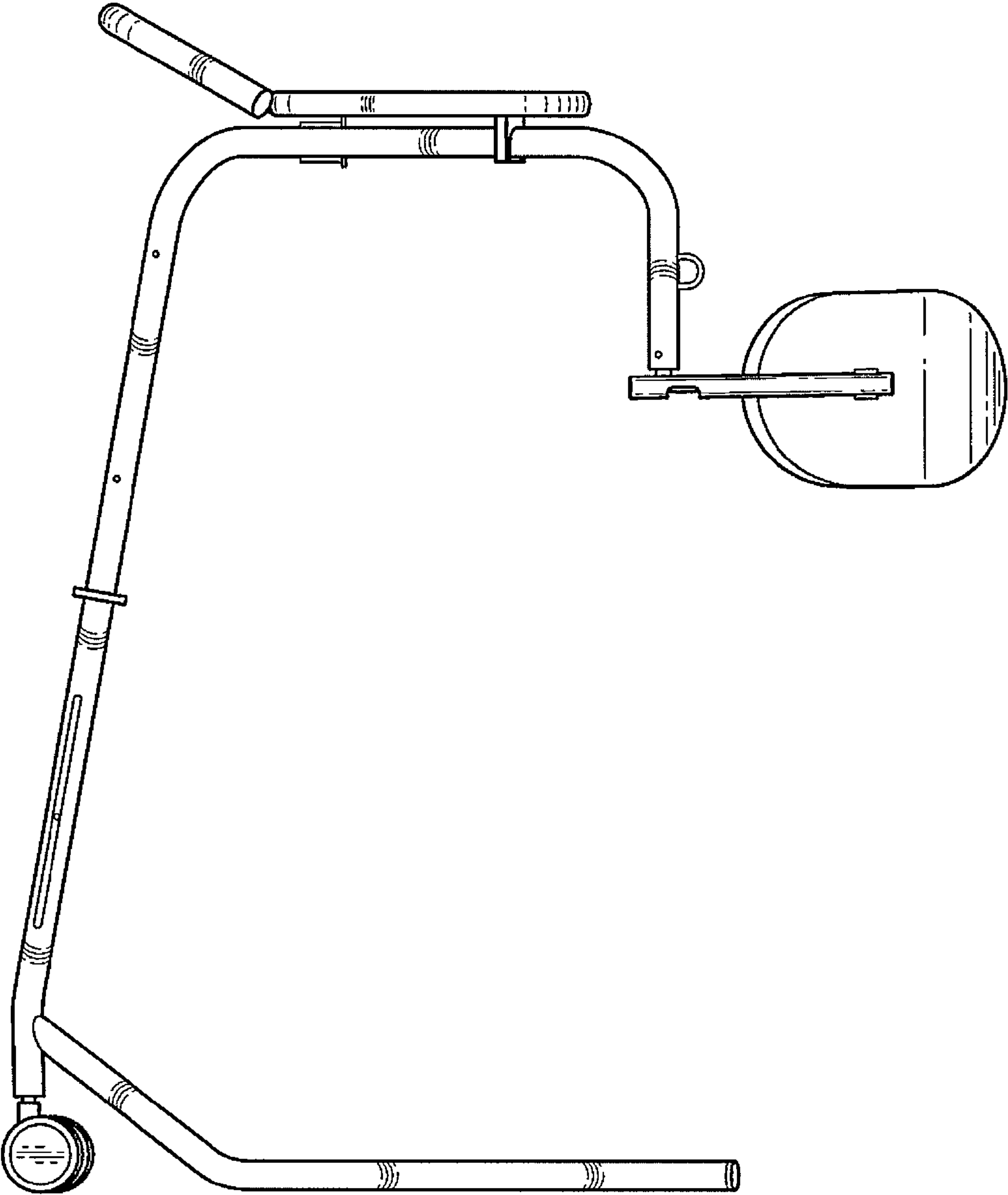


FIG. 4

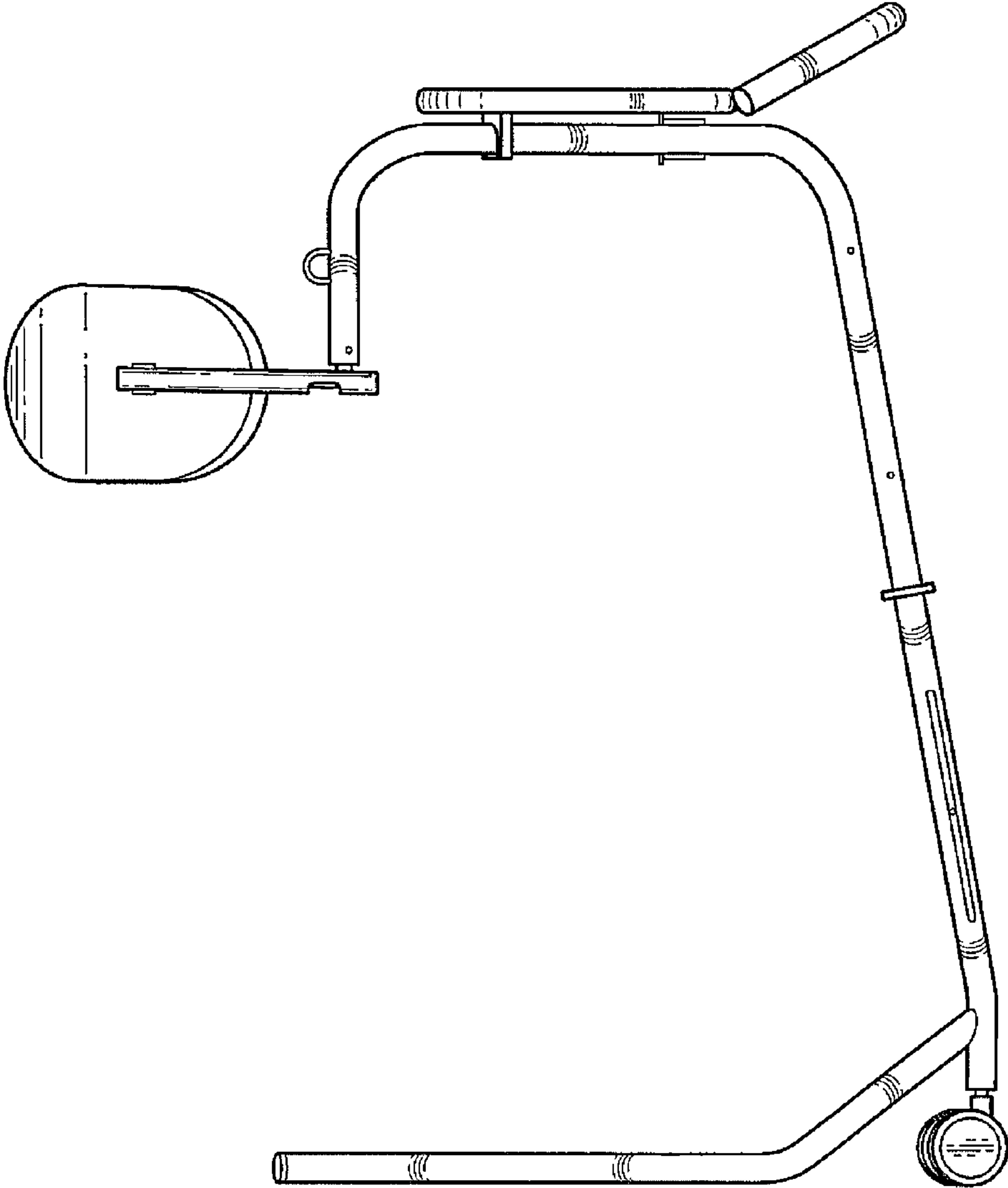


FIG. 5

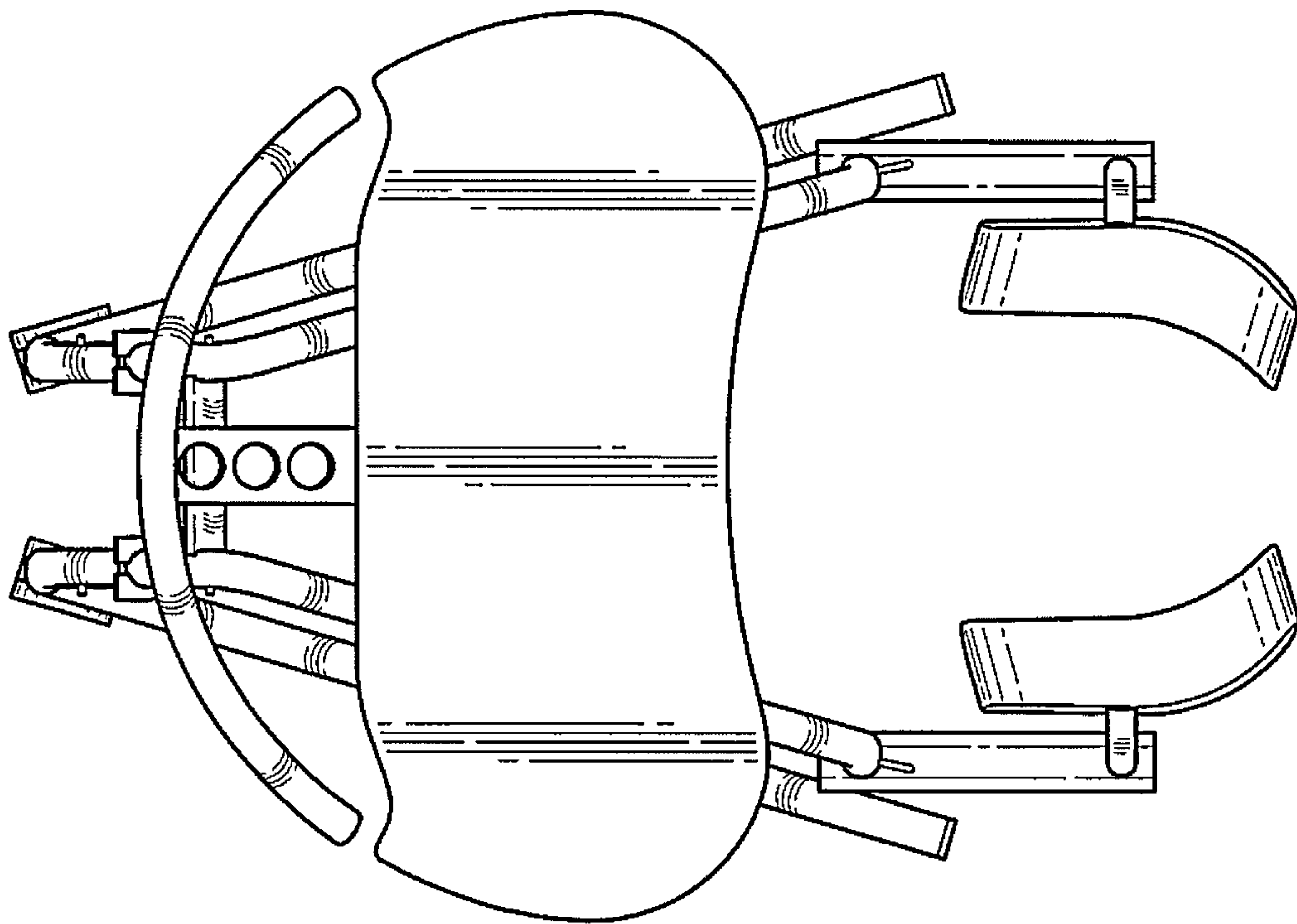


FIG. 6

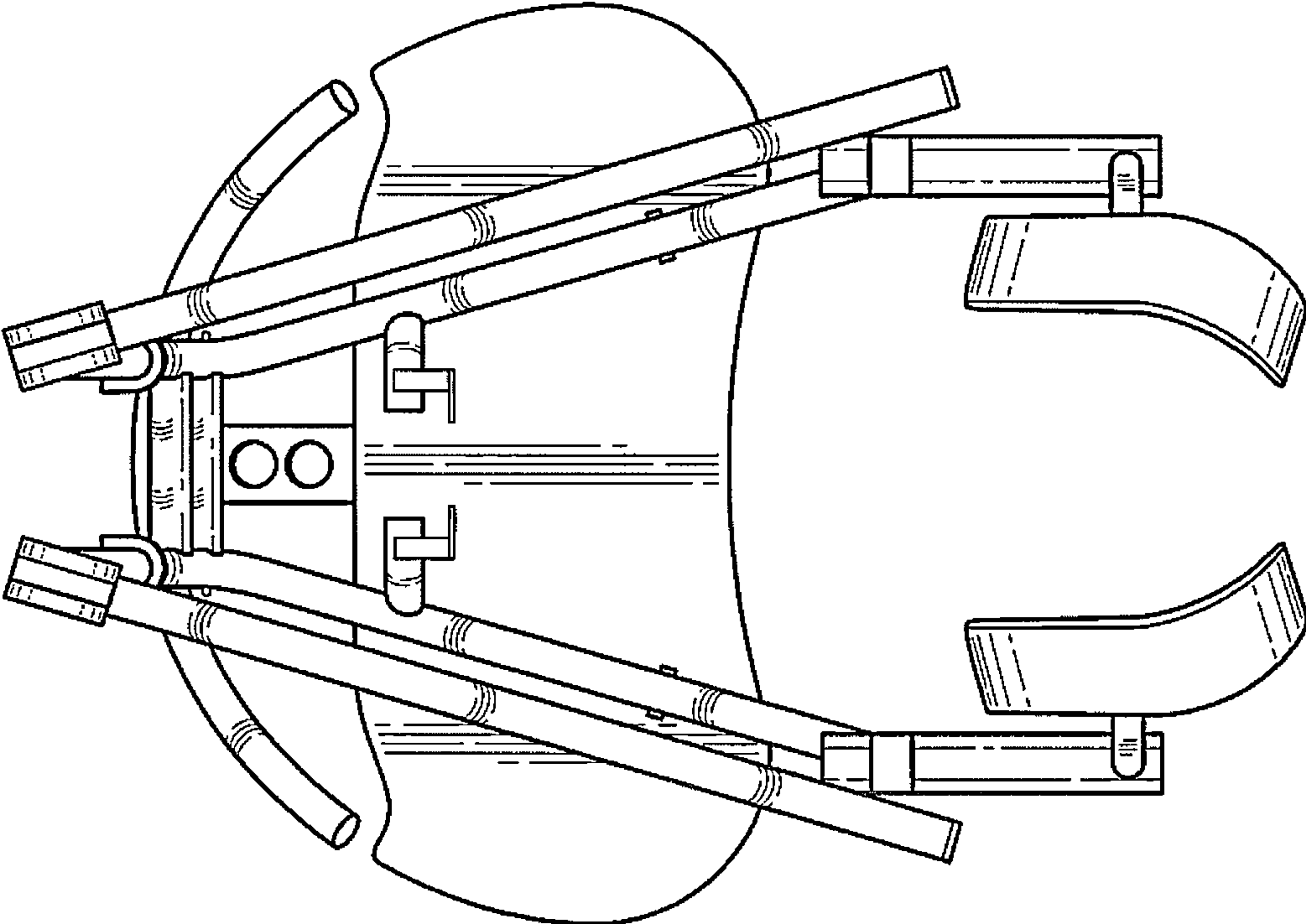


FIG. 7