



US00D728431S

(12) **United States Design Patent**
Lang

(10) **Patent No.:** **US D728,431 S**

(45) **Date of Patent:** **** May 5, 2015**

- (54) **WALL MOUNTABLE BICYCLE STANDS**
- (71) Applicant: **Andrew Lang Product Design Limited**,
London (GB)
- (72) Inventor: **Andrew Lang**, London (GB)
- (73) Assignee: **Andrew Lang Product Design Limited**,
London (GB)
- (**) Term: **14 Years**
- (21) Appl. No.: **29/472,737**
- (22) Filed: **Nov. 15, 2013**
- (30) **Foreign Application Priority Data**

May 15, 2013 (EM) 002237644

- (51) **LOC (10) Cl.** **12-11**
- (52) **U.S. Cl.**
USPC **D12/115**
- (58) **Field of Classification Search**
CPC E05Y 2900/20; E05Y 2900/132;
E05Y 2900/531; E05D 7/0407; E05D 7/0423
USPC D12/115; 248/224.8, 217.4, 220.21, 65,
248/282.1, 428, 225.21, 339, 304, 308, 914,
248/314, 223.41, 225.11, 309.1, 290.1, 692,
248/691, 291.1; 411/30; D8/367, 373, 327,
D8/16, 19; 16/374, 252, 235, 241, 245,
16/382, 221, 246, 319; 211/119.004, 18,
211/87.01, 85.7, 86.01, 106.01; D32/54;
D7/692; 366/129; 49/381, 506;
273/148 R; 463/47; 224/927

See application file for complete search history.

(56) **References Cited**

U.S. PATENT DOCUMENTS

- 4,221,354 A * 9/1980 Kempkers 248/291.1
- D262,431 S * 12/1981 Haller D32/54
- D372,415 S * 8/1996 Guidotti D8/327
- 6,193,084 B1 * 2/2001 Oliver 211/119.004

- D456,694 S * 5/2002 Allen et al. D8/367
- D488,047 S * 4/2004 Cheng D8/327
- 7,118,082 B2 * 10/2006 Brnjac 248/308
- 7,188,390 B2 * 3/2007 Cheng 16/252
- 7,234,672 B1 * 6/2007 Osterholt et al. 248/304
- 7,681,851 B1 * 3/2010 Osterholt et al. 248/308
- 7,815,055 B2 * 10/2010 Lang 211/18
- D668,936 S * 10/2012 Wyatt D8/367
- 8,523,127 B1 * 9/2013 Bennett 248/222.52
- 2003/0056331 A1 * 3/2003 Garner 16/374
- 2006/0054761 A1 * 3/2006 Marler et al. 248/304
- 2006/0289714 A1 * 12/2006 Boklund-Moran 248/339
- 2007/0114348 A1 * 5/2007 Nawrocki 248/220.21
- 2009/0084922 A1 * 4/2009 Martin 248/339
- 2009/0090828 A1 * 4/2009 Junkins 248/220.21
- 2010/0090074 A1 * 4/2010 Horvath et al. 248/217.4
- 2011/0114806 A1 * 5/2011 Losaw 248/225.21
- 2012/0104203 A1 * 5/2012 Ernst et al. 248/224.8
- 2013/0062475 A1 * 3/2013 Lin 248/65
- 2013/0082155 A1 * 4/2013 McCormack 248/220.21
- 2014/0150345 A1 * 6/2014 Price 49/381
- 2014/0158845 A1 * 6/2014 Fliger et al. 248/309.1

* cited by examiner

Primary Examiner — Robert M Spear

Assistant Examiner — Ryan Harvey

(74) *Attorney, Agent, or Firm* — Saul Ewing LLP

(57) **CLAIM**

The design for a wall mountable bicycle stand, as shown and described.

DESCRIPTION

FIG. 1 is a front perspective view of a wall mountable bicycle stand;

FIG. 2 is a front view thereof;

FIG. 3 is a back view thereof;

FIG. 4 is a left view thereof;

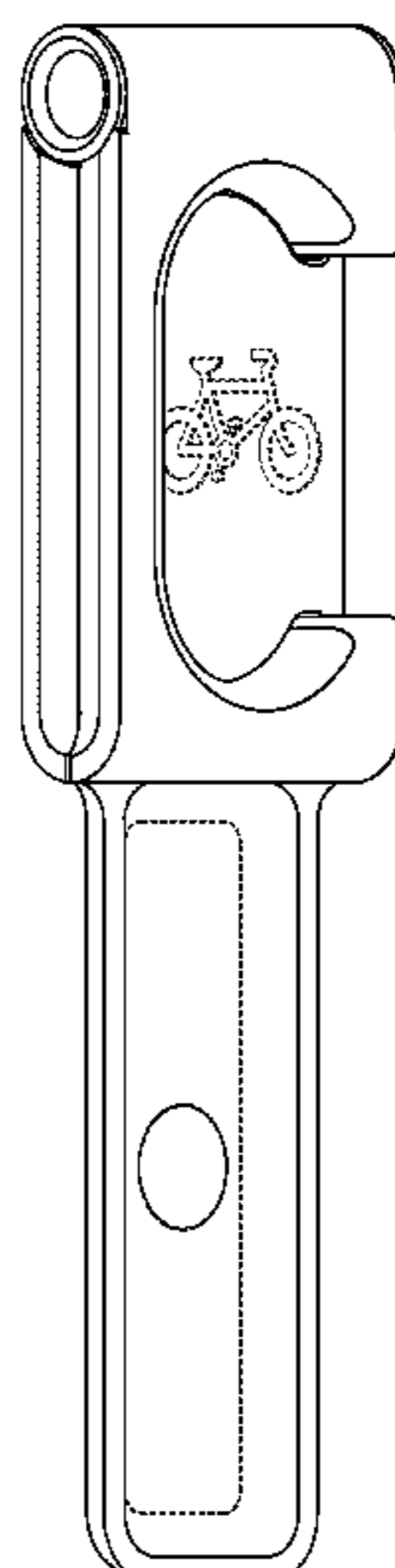
FIG. 5 is a top view thereof;

FIG. 6 is a bottom view thereof; and,

FIG. 7 is an open front view thereof.

The broken lines illustrate portions of the article that form no part of the claimed design.

1 Claim, 6 Drawing Sheets



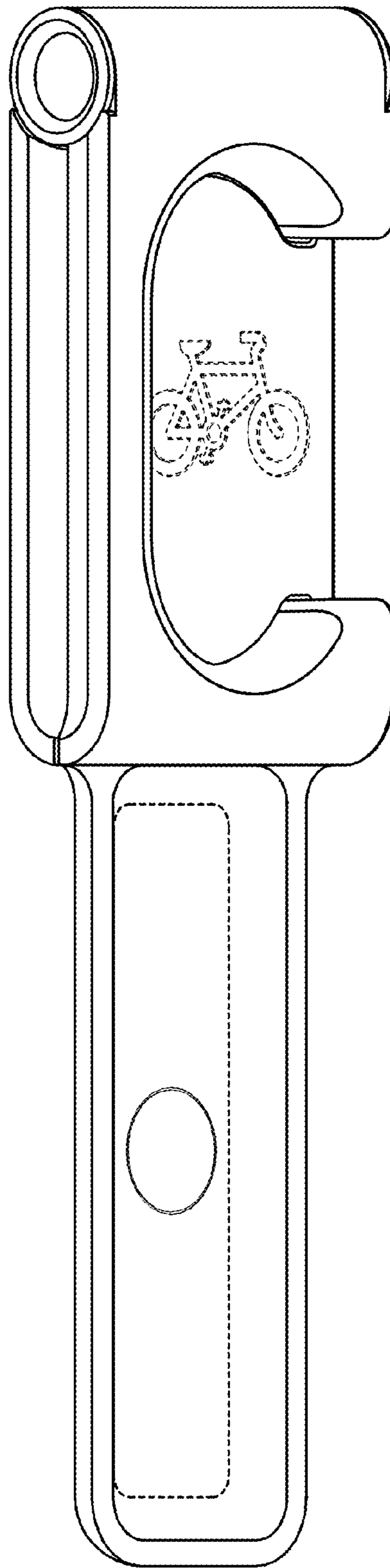


Fig. 1

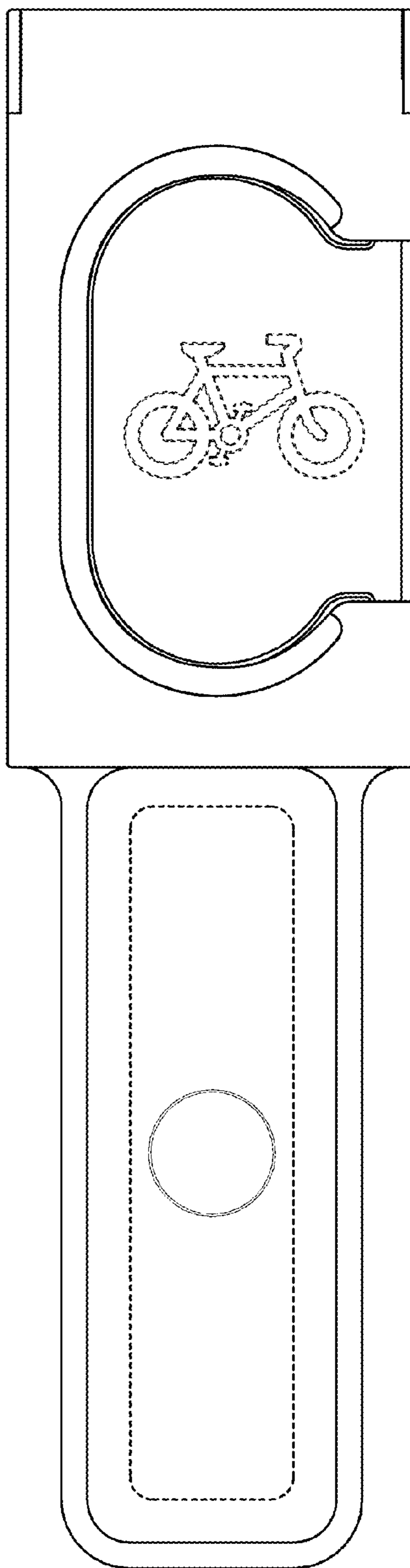


Fig. 2

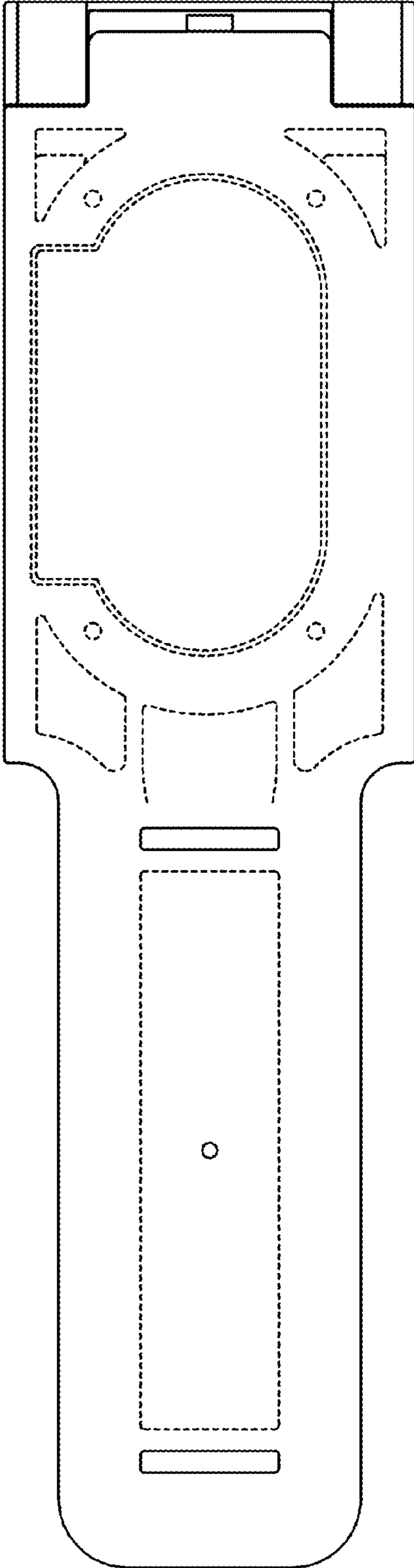


Fig. 3

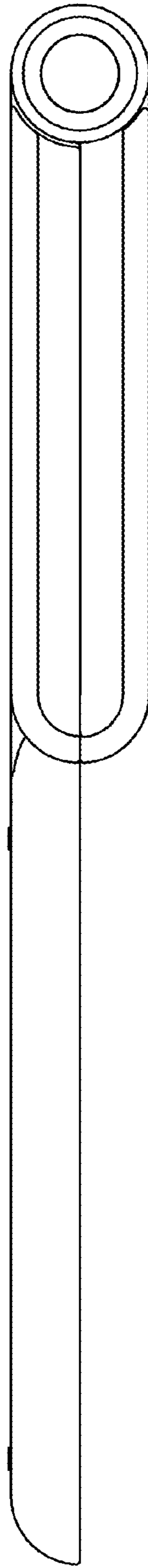


Fig. 4

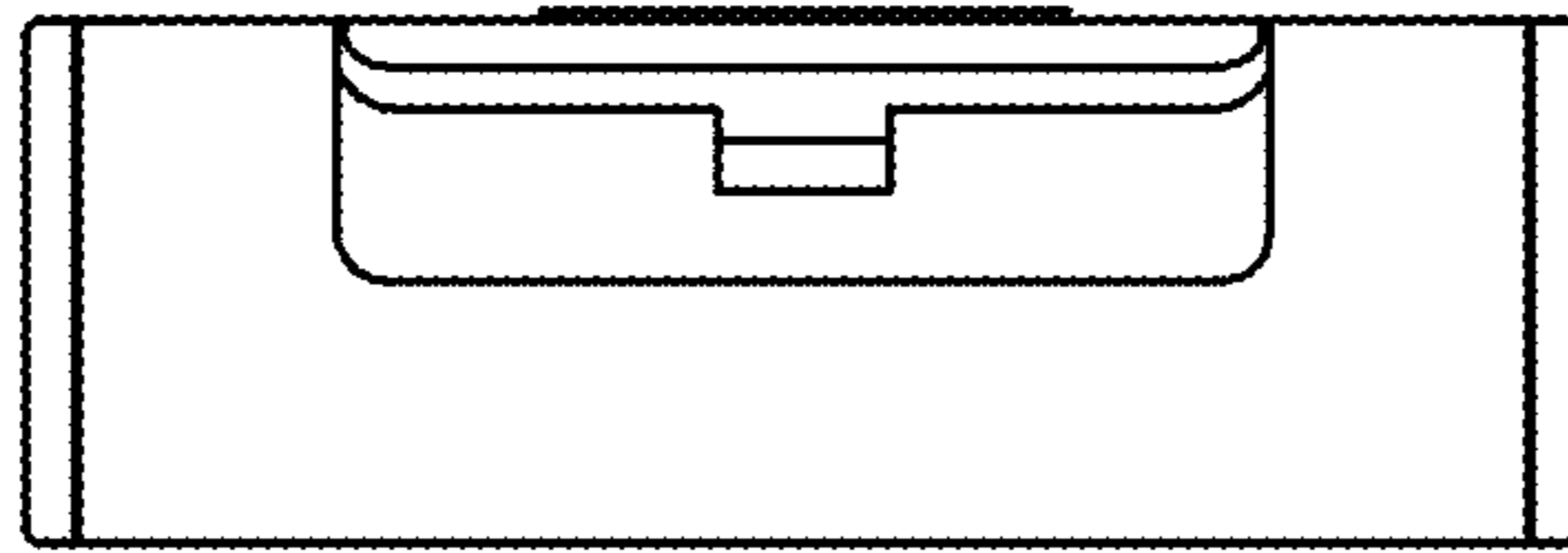


Fig. 5

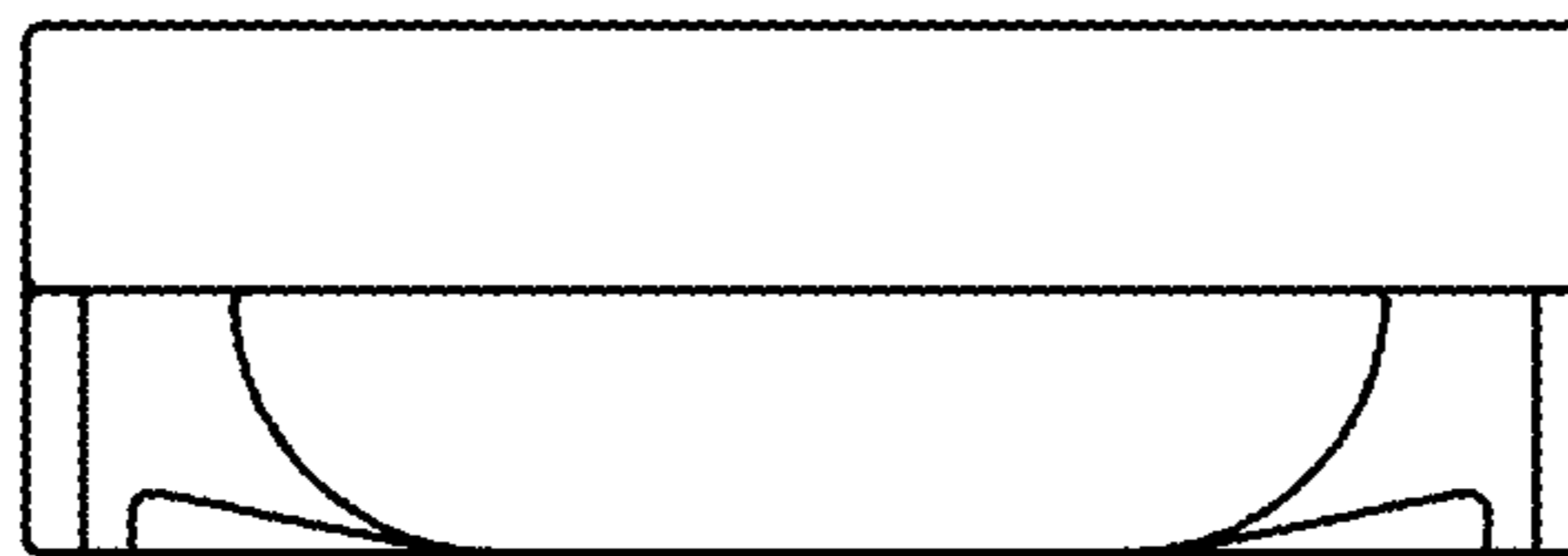


Fig. 6

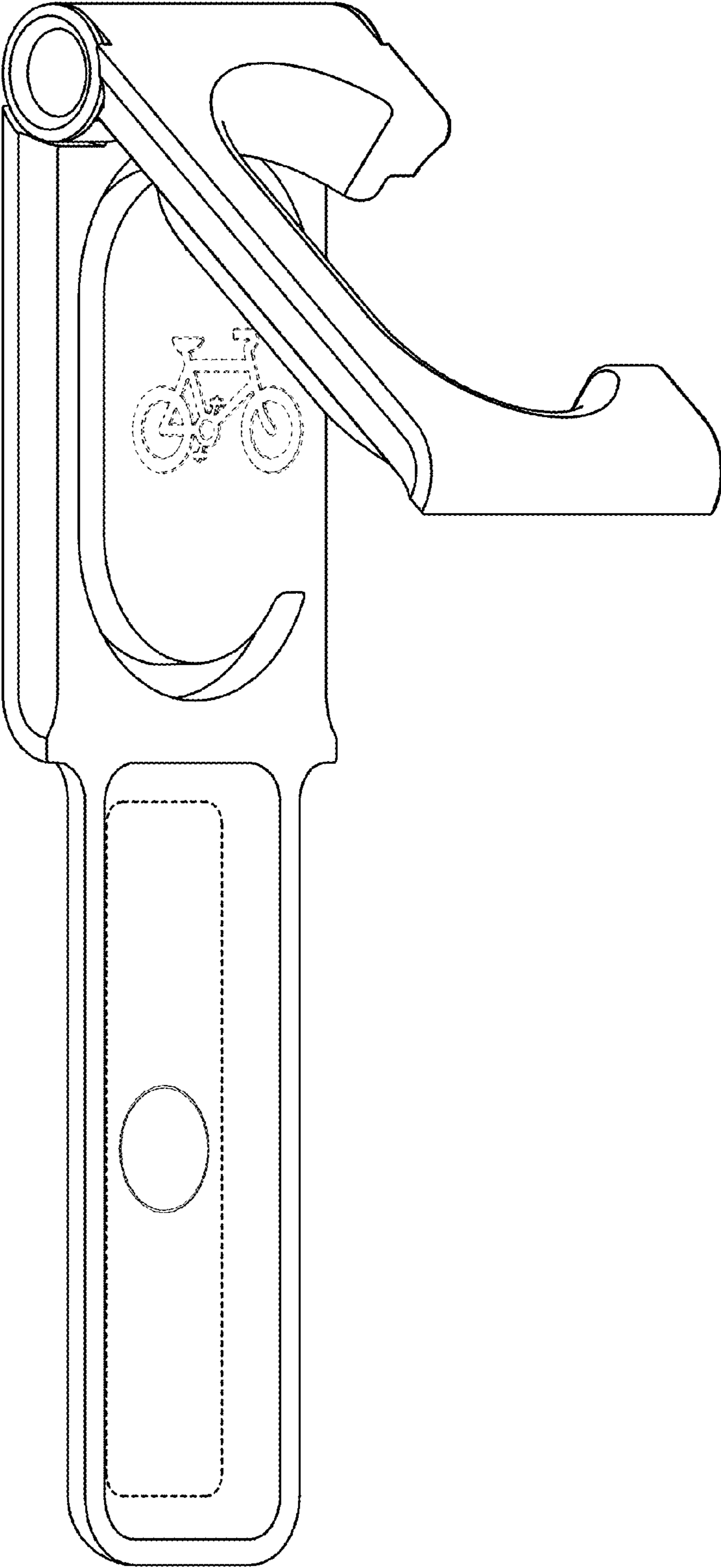


Fig. 7