



US00D728422S

(12) **United States Design Patent**
Minami et al.

(10) **Patent No.:** **US D728,422 S**
(45) **Date of Patent:** **** May 5, 2015**

(54) **MOTOR VEHICLE, TOY REPLICA AND/OR
OTHER REPLICA**

(71) Applicant: **Honda Motor Co., Ltd.**, Tokyo (JP)

(72) Inventors: **Toshinobu Minami**, Wako (JP); **Daniel
Talbert**, Wako (JP)

(73) Assignee: **Honda Motor Co., Ltd.**, Tokyo (JP)

(**) Term: **14 Years**

(21) Appl. No.: **29/465,720**

(22) Filed: **Aug. 30, 2013**

(30) **Foreign Application Priority Data**

Mar. 8, 2013 (JP) 2013-005223

(51) **LOC (10) Cl.** **12-08**

(52) **U.S. Cl.**
USPC **D12/91**

(58) **Field of Classification Search**

CPC B62D 35/00; B62D 35/001; B62D 31/00;
B62D 31/003

USPC D12/91, 92, 90, 86, 93; D21/424, 433,
D21/434; 296/181.1, 181.5, 180.1;
180/68.1, 68.6

See application file for complete search history.

(56) **References Cited**

U.S. PATENT DOCUMENTS

D581,317 S * 11/2008 Zheng D12/90
D601,454 S * 10/2009 Kamimura et al. D12/91
D604,670 S * 11/2009 Nagura et al. D12/91

D633,823 S * 3/2011 Matei et al. D12/91
D642,093 S * 7/2011 Kubo et al. D12/91
D647,004 S * 10/2011 Nemoto D12/91
D647,428 S * 10/2011 Ohhashi et al. D12/90
D655,648 S * 3/2012 Imaiida et al. D12/91
D657,716 S * 4/2012 Cartabiano et al. D12/91
D670,200 S * 11/2012 Toriyama et al. D12/91
D689,397 S * 9/2013 Koyama et al. D12/90
D691,065 S * 10/2013 Gamou et al. D12/90
D692,346 S * 10/2013 Matsueda D12/91
D708,551 S * 7/2014 De Bono D12/91
D712,312 S * 9/2014 Nakayama D12/91

* cited by examiner

Primary Examiner — Cathron Brooks

Assistant Examiner — Clese Moore, Jr.

(74) *Attorney, Agent, or Firm* — Plumsea Law Group, LLC

(57) **CLAIM**

The ornamental design for an motor vehicle, toy replica and/
or other replica, as shown and described.

DESCRIPTION

FIG. 1 is a front perspective view of a first embodiment of an
motor vehicle, toy replica and/or other replica.

FIG. 2 is a rear perspective view thereof.

FIG. 3 is a right side elevation view thereof.

FIG. 4 is a left side elevation view thereof.

FIG. 5 is a front elevation view thereof.

FIG. 6 is a rear elevation view thereof; and,

FIG. 7 is a top plan view thereof.

The portions of the automobile shown in broken lines are for
the purpose of showing environmental structure only and
form no part of the claimed design.

1 Claim, 7 Drawing Sheets

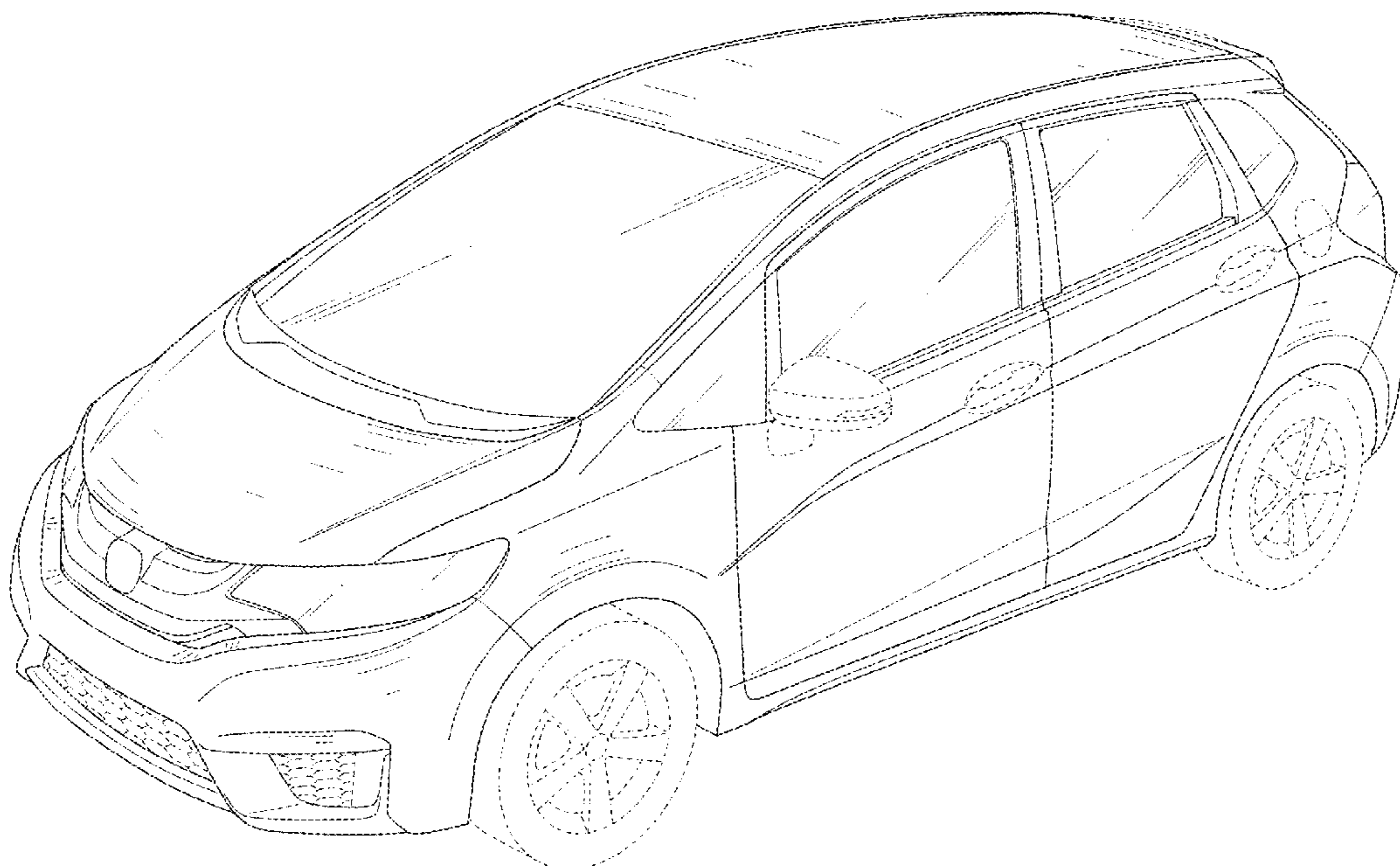


FIG. 1

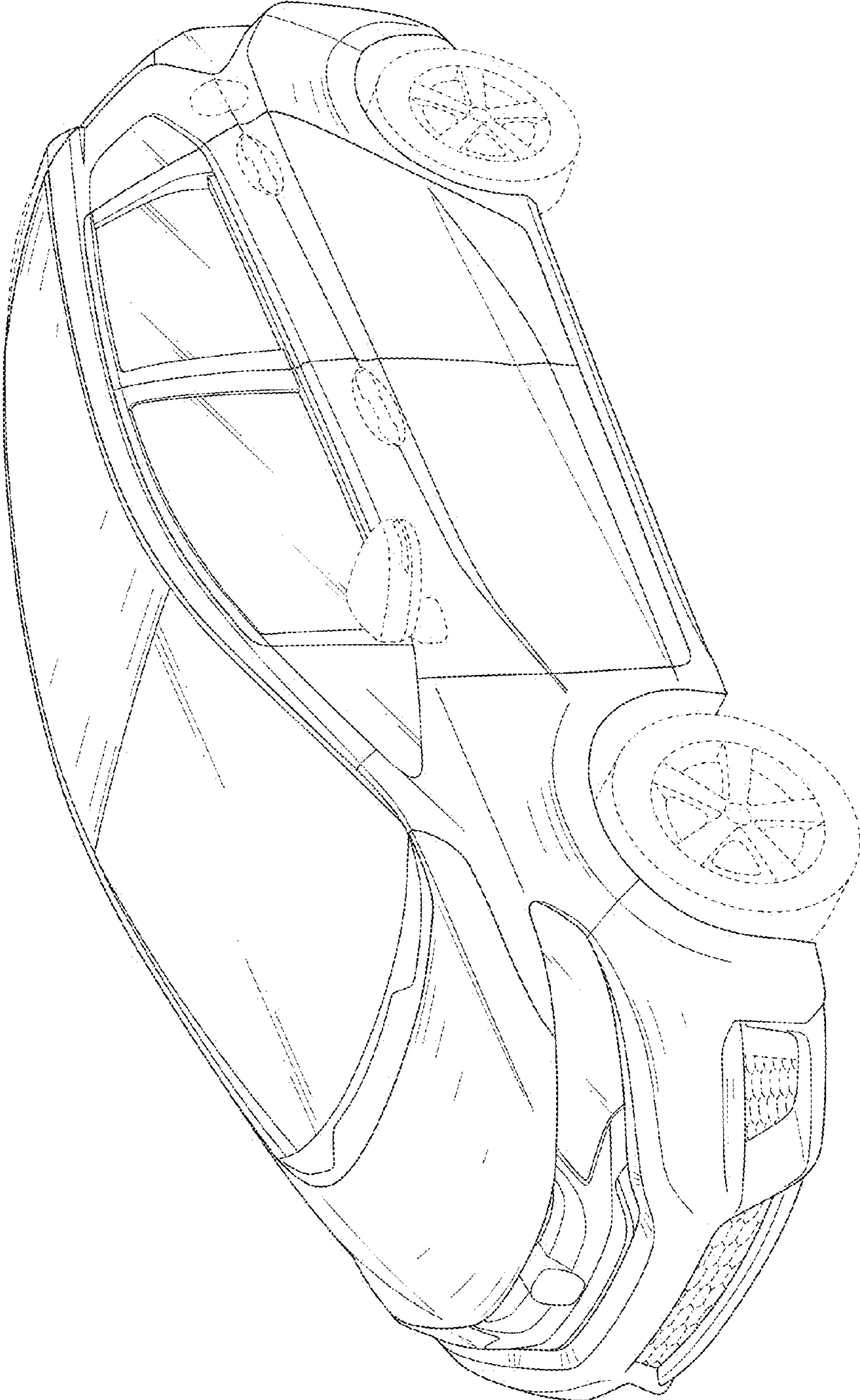


FIG. 2

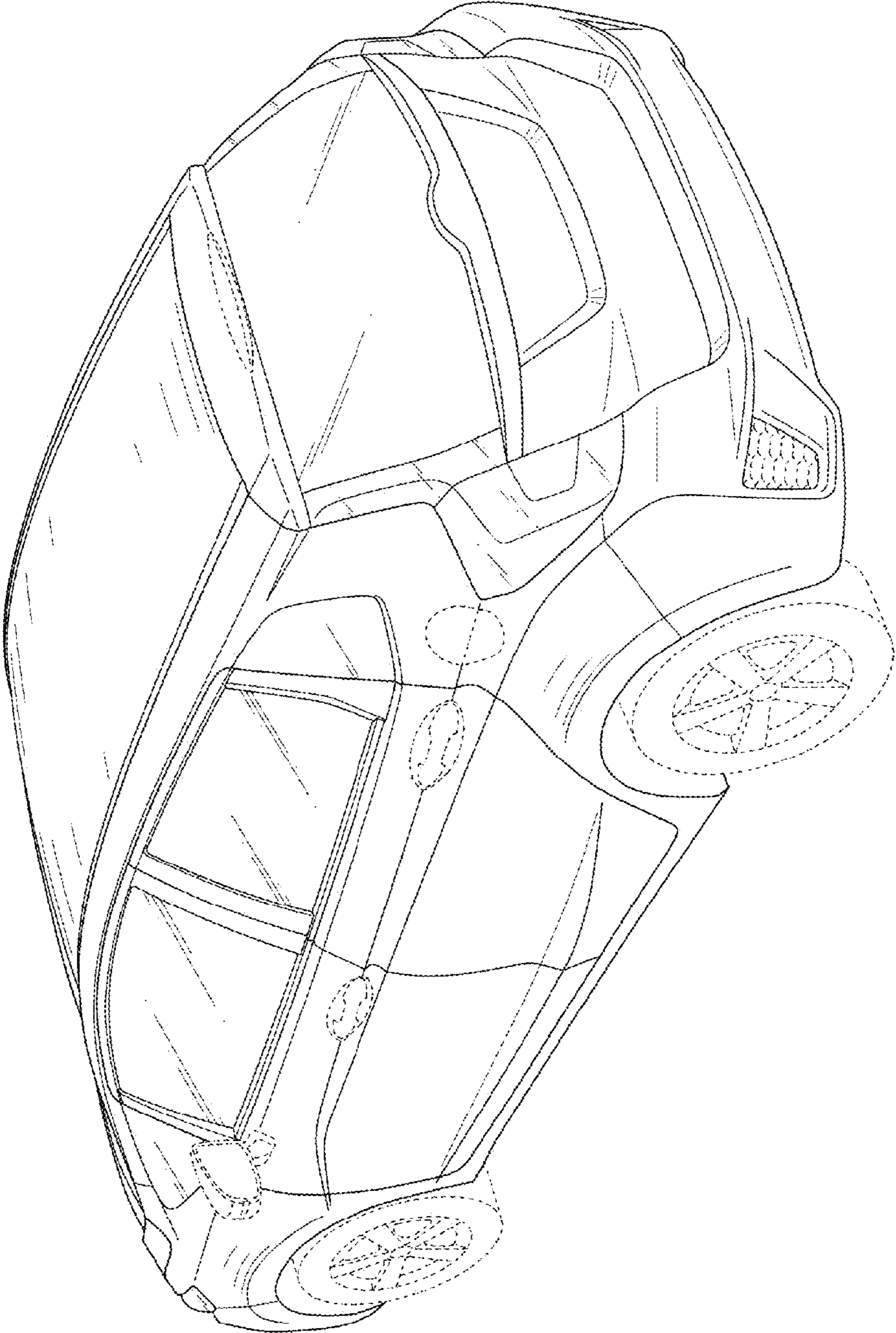


FIG. 3

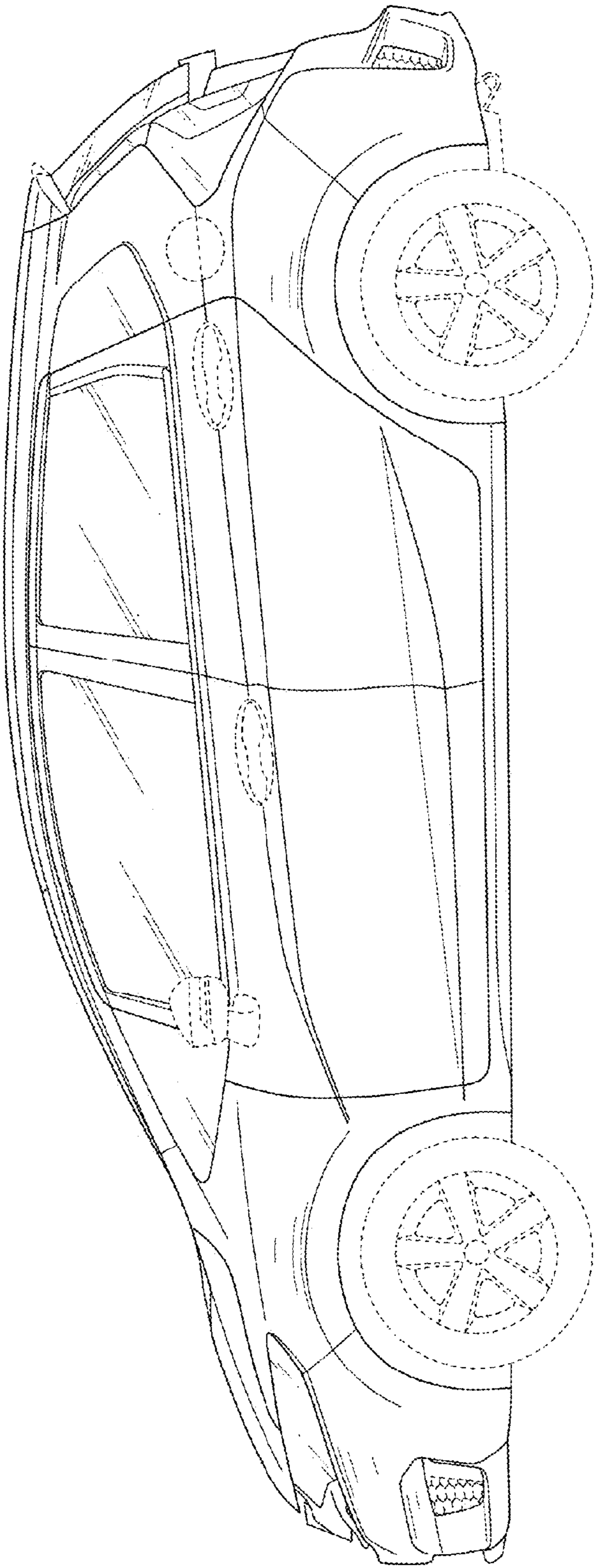


FIG. 4

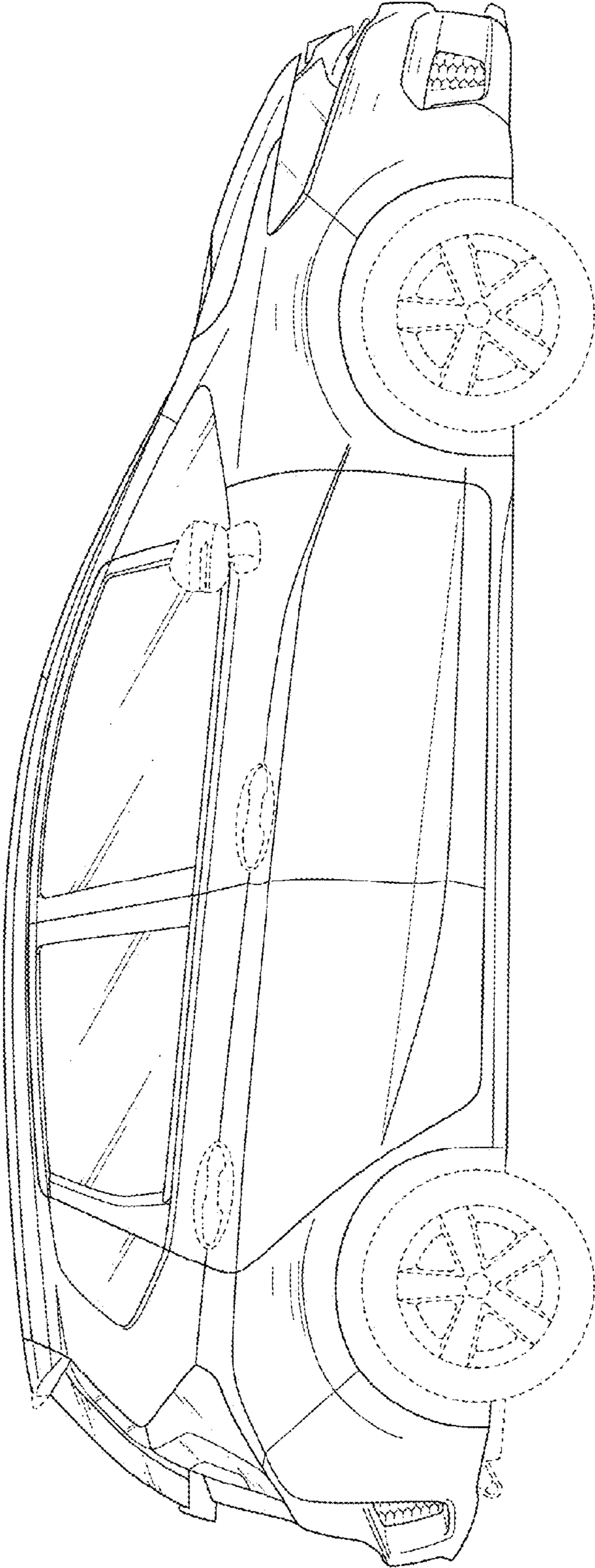


FIG. 5

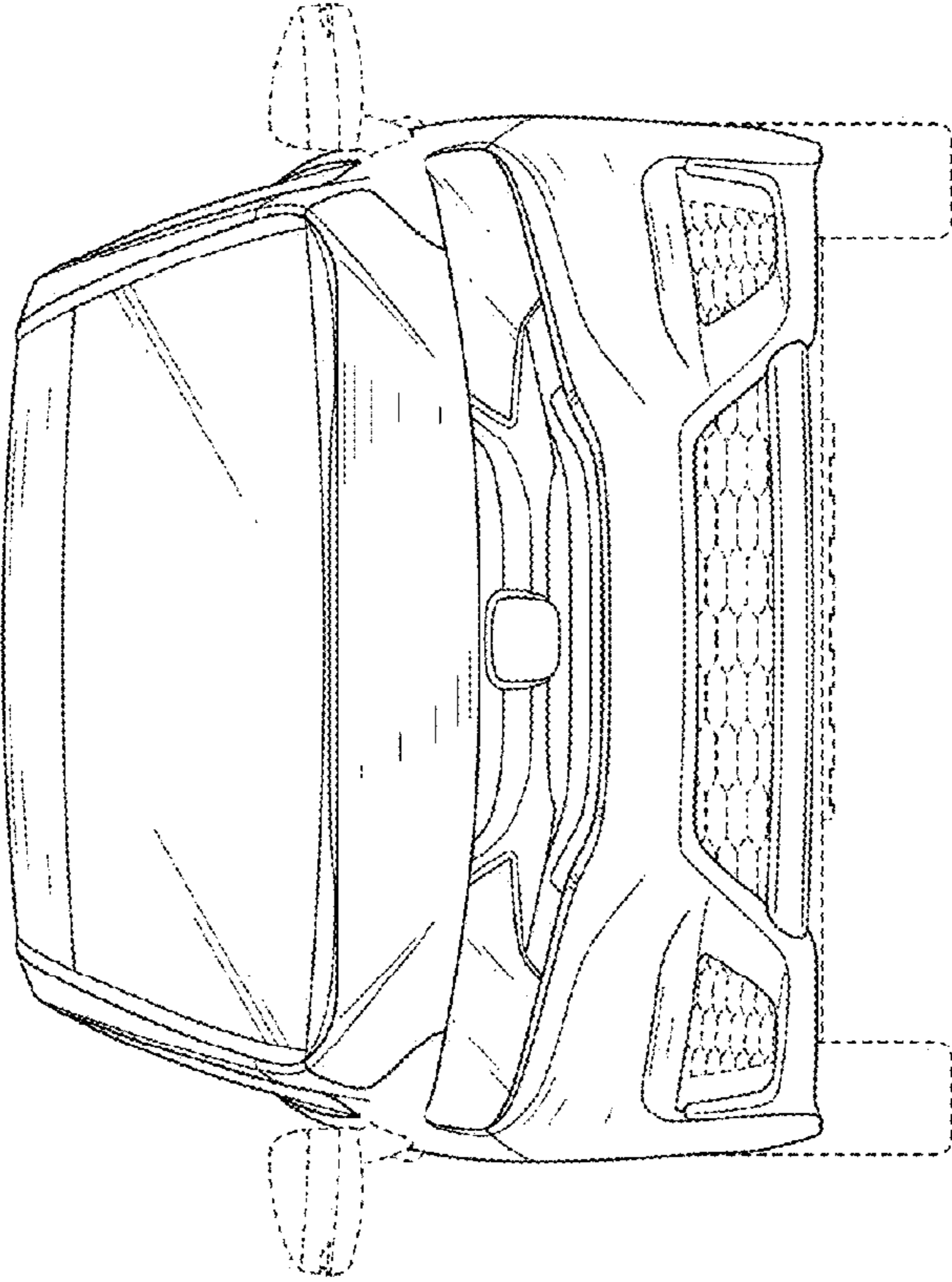


FIG. 6

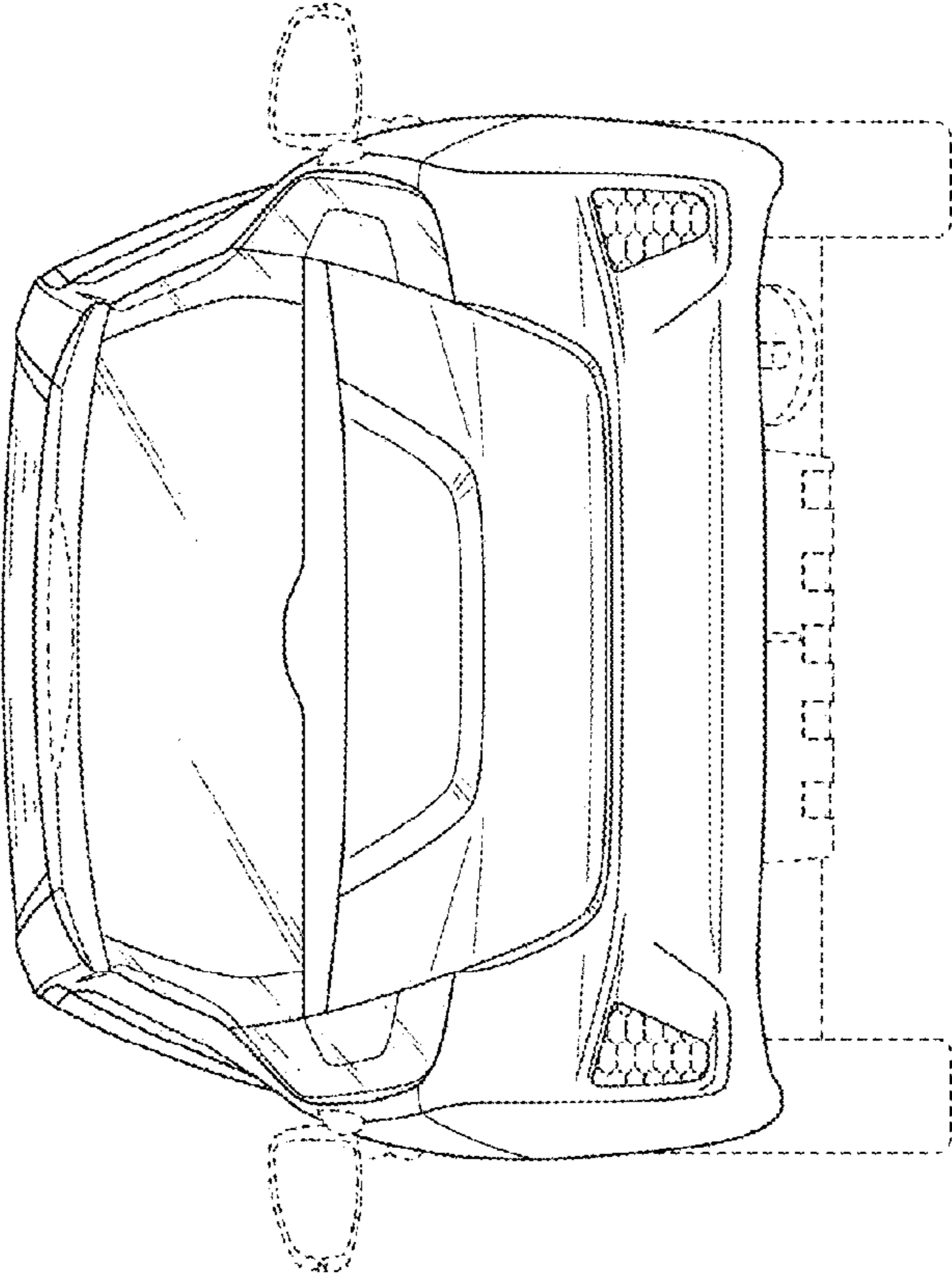


FIG. 7

