



US00D728420S

(12) **United States Design Patent**
Leung

(10) **Patent No.:** **US D728,420 S**

(45) **Date of Patent:** **** May 5, 2015**

(54) **SNAP BUTTON**

(56) **References Cited**

(71) Applicant: **Ching Fung Apparel Accessories Co. Ltd.**, Tai Kok Tsui (HK)

U.S. PATENT DOCUMENTS

(72) Inventor: **Kwok Yun Gary Leung**, Tai Kok Tsui (HK)

D319,201 S *	8/1991	Aoki	D11/220
7,157,152 B2 *	1/2007	Urata et al.	428/639
7,490,386 B2 *	2/2009	Raccosta	24/114.9
7,867,625 B2 *	1/2011	Urata et al.	428/639
8,122,574 B2 *	2/2012	Dammermann	24/681
D665,304 S *	8/2012	Takeda	D11/220
D678,816 S *	3/2013	Chan	D11/220

(73) Assignee: **Ching Fung Apparel Accessories Co. Ltd.**, Hong Kong (HK)

* cited by examiner

(**) Term: **14 Years**

Primary Examiner — Zenia Bennett

(21) Appl. No.: **29/493,044**

(74) *Attorney, Agent, or Firm* — Onello & Mello, LLP.

(22) Filed: **Jun. 5, 2014**

(57) **CLAIM**

The ornamental design for a snap button, as shown.

(51) **LOC (10) Cl.** **02-07**

DESCRIPTION

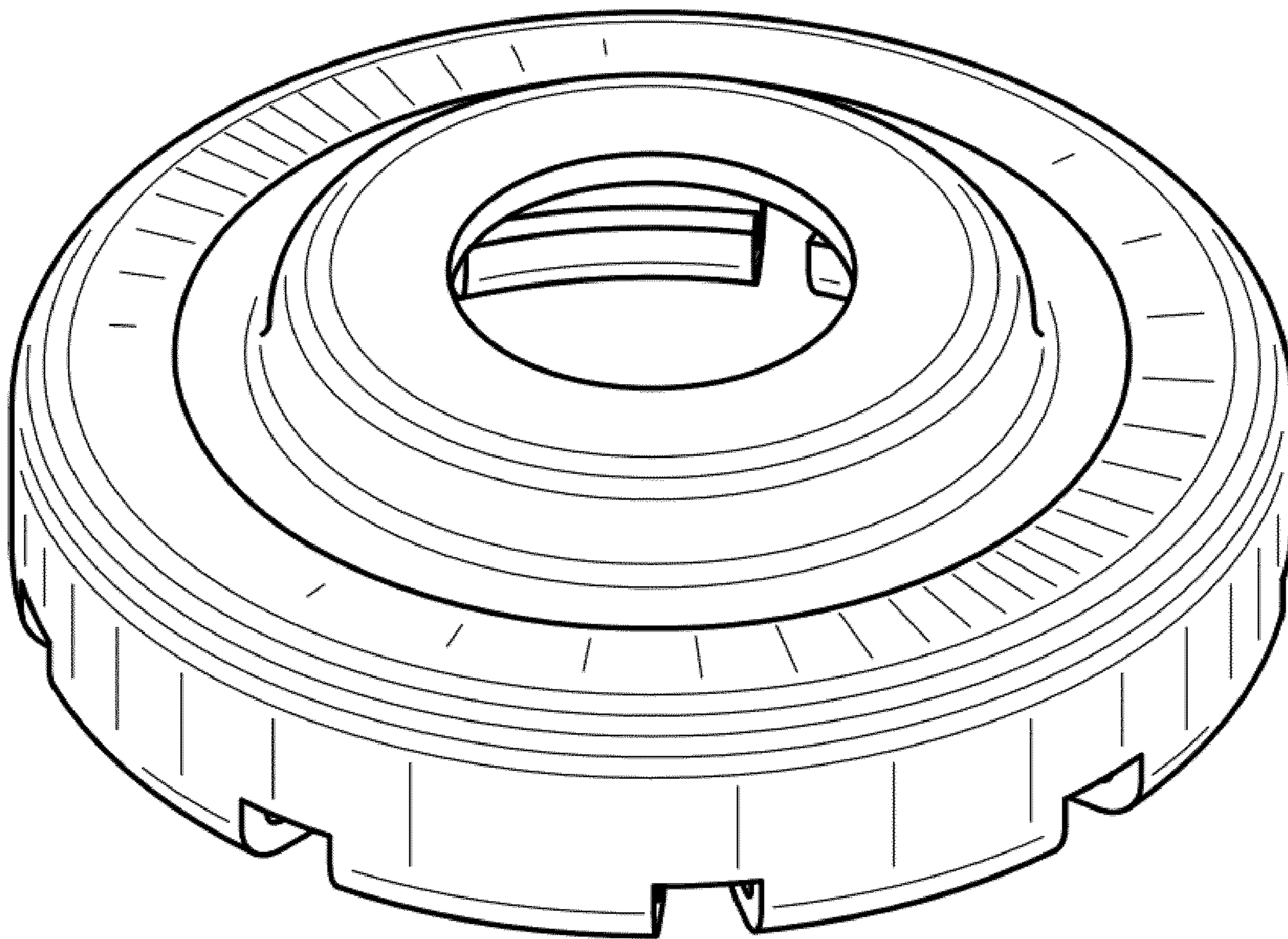
(52) **U.S. Cl.**
USPC **D11/220**

(58) **Field of Classification Search**
CPC A44B 1/08; A44B 17/0088
USPC D11/220, 22, 226, 218; 24/1, 681,
24/689-691, 18, 683, 108, 674, 692,
24/621-623, 671, 662, 618; 292/319;
D8/382

FIG. 1 is an isometric view of a snap button, in accordance with the present invention;
FIG. 2 is a top view thereof;
FIG. 3 is a bottom view thereof;
FIG. 4 is a front view thereof;
FIG. 5 is a rear view thereof;
FIG. 6 is a left side view thereof; and,
FIG. 7 is a right side view thereof.

See application file for complete search history.

1 Claim, 3 Drawing Sheets



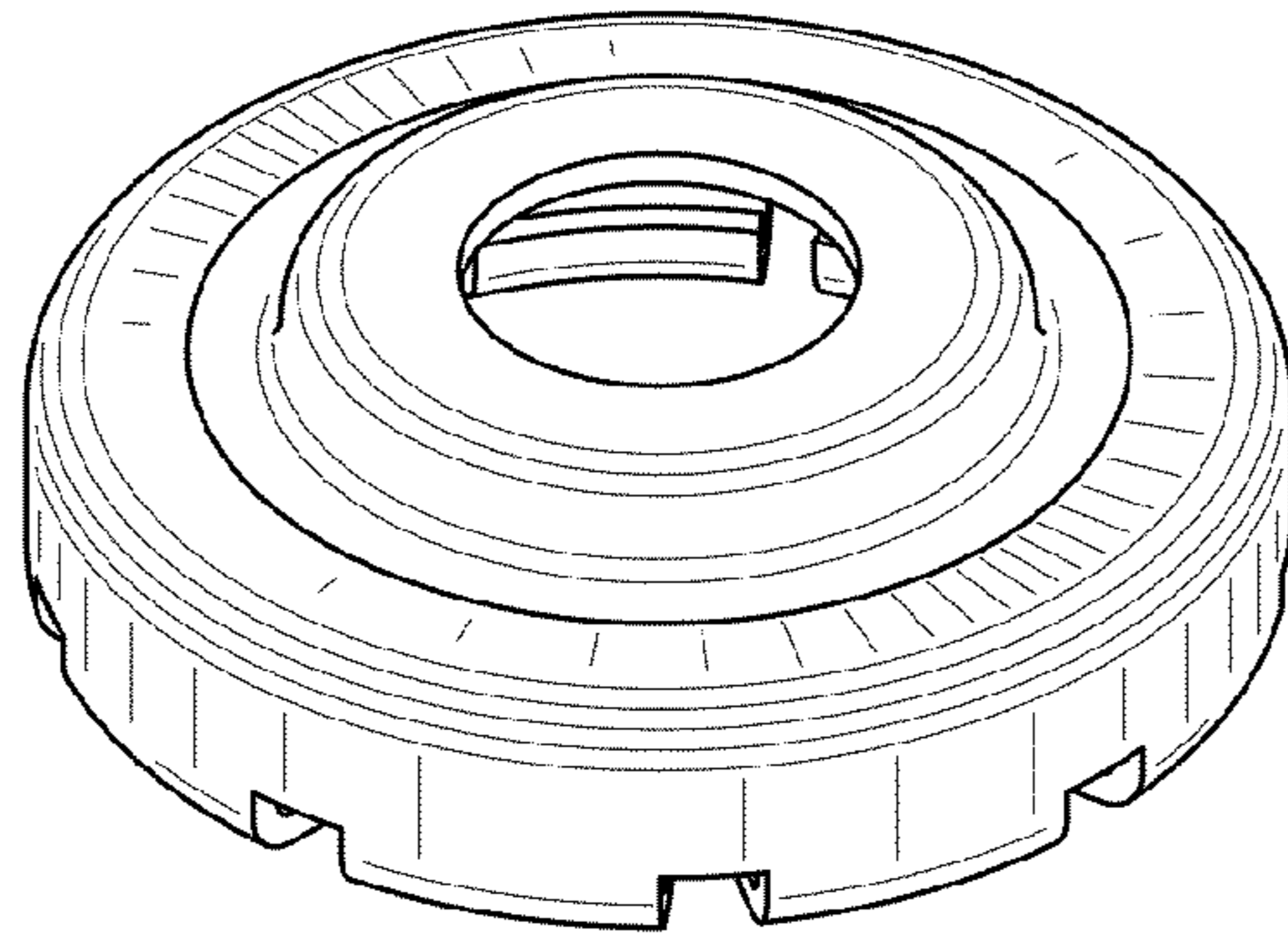


FIG. 1

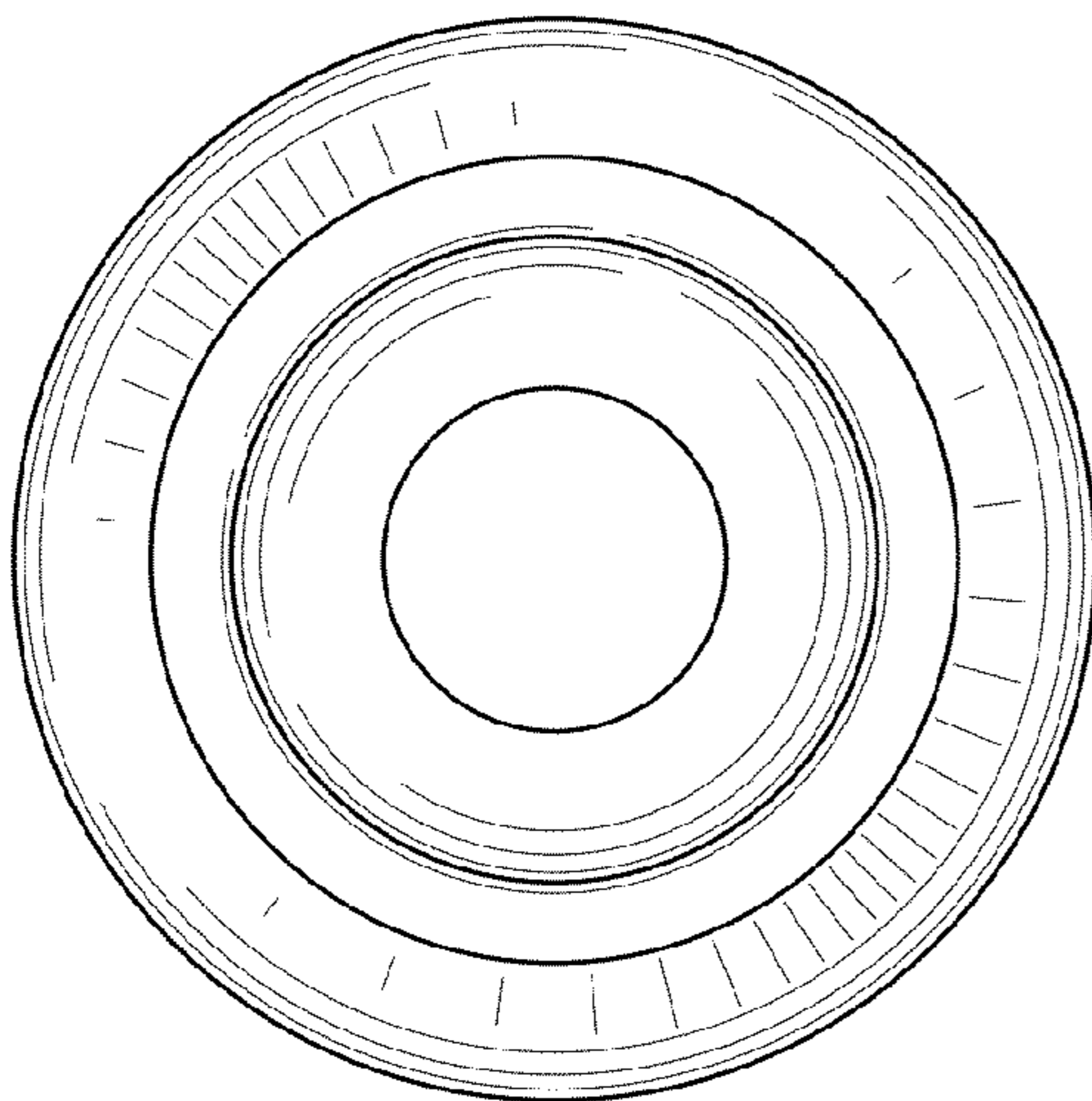


FIG. 2

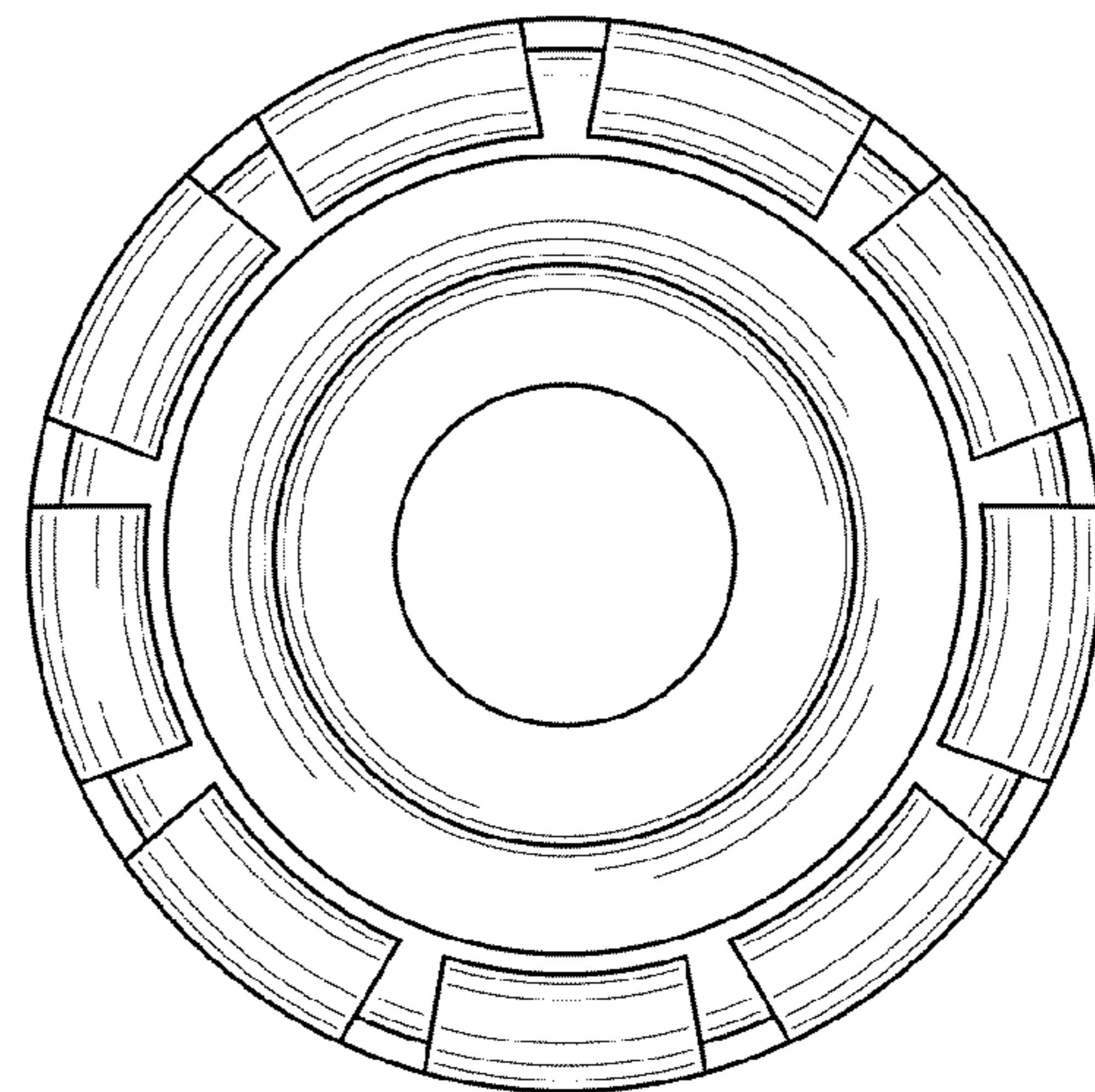


FIG. 3

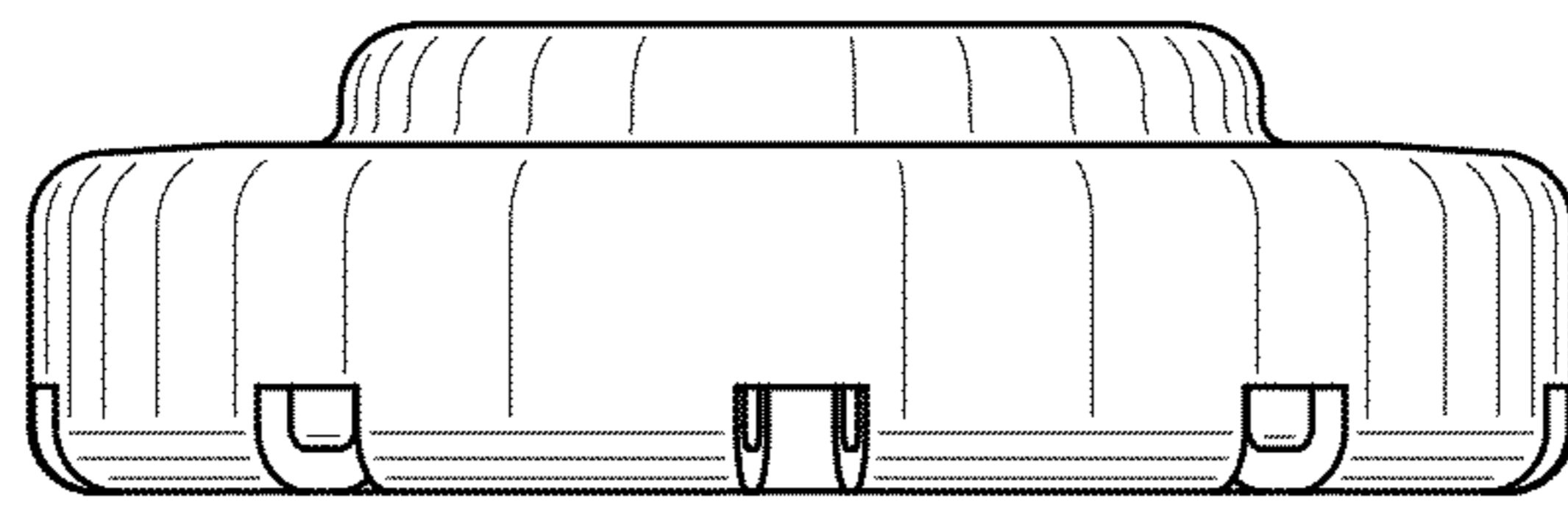


FIG. 4

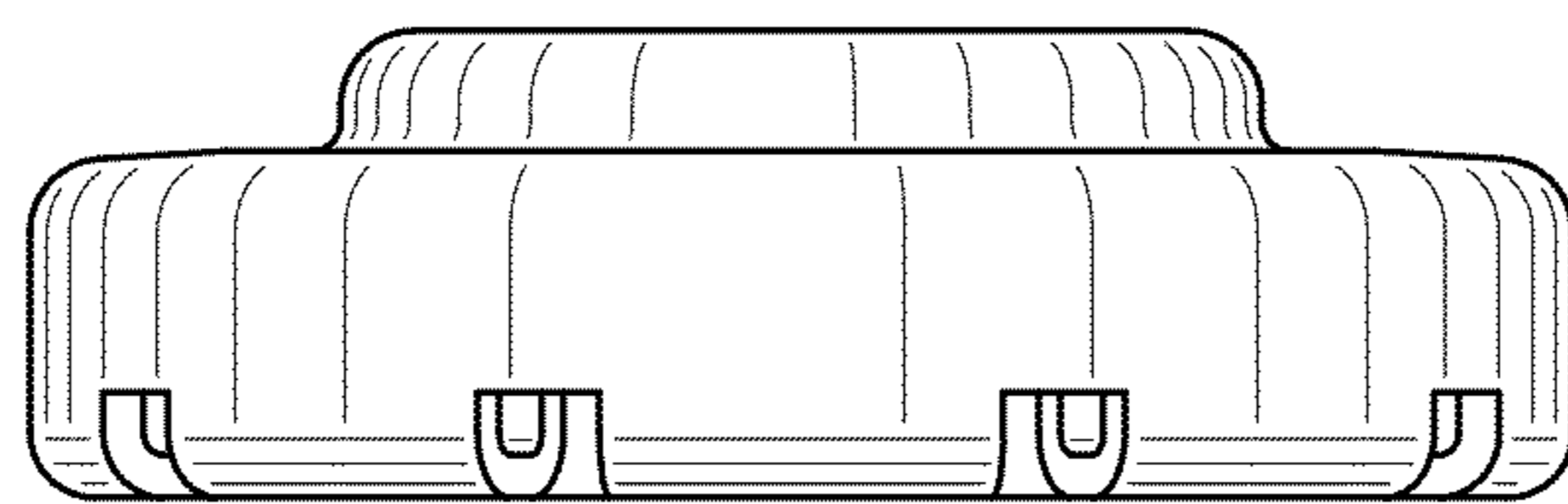


FIG. 5

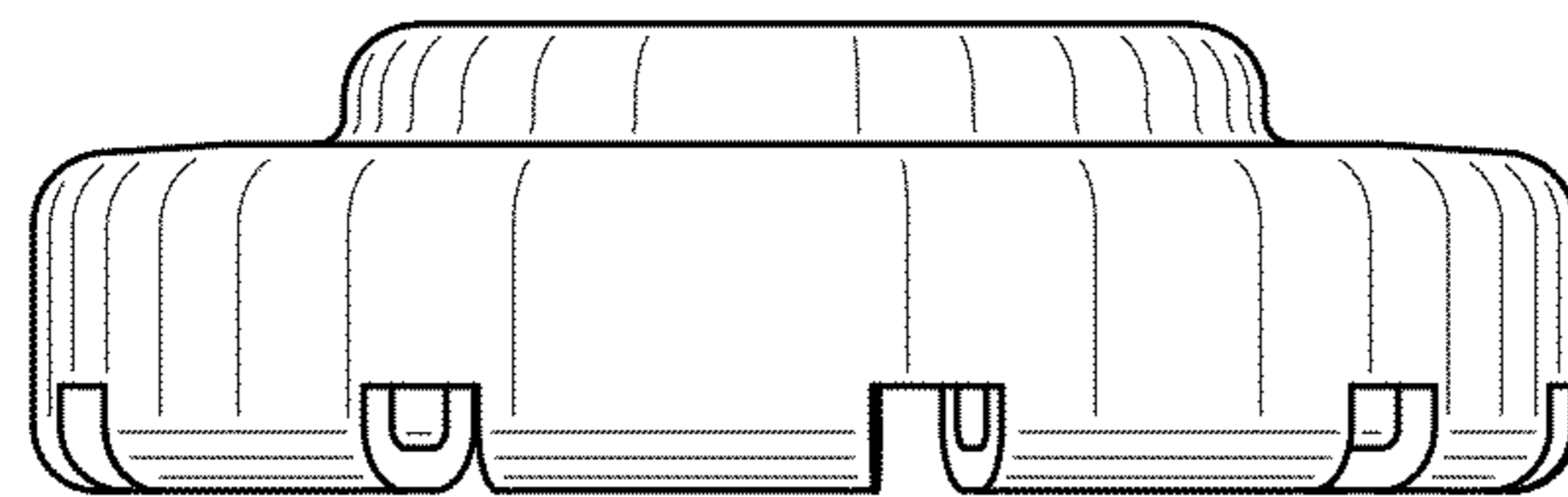


FIG. 6

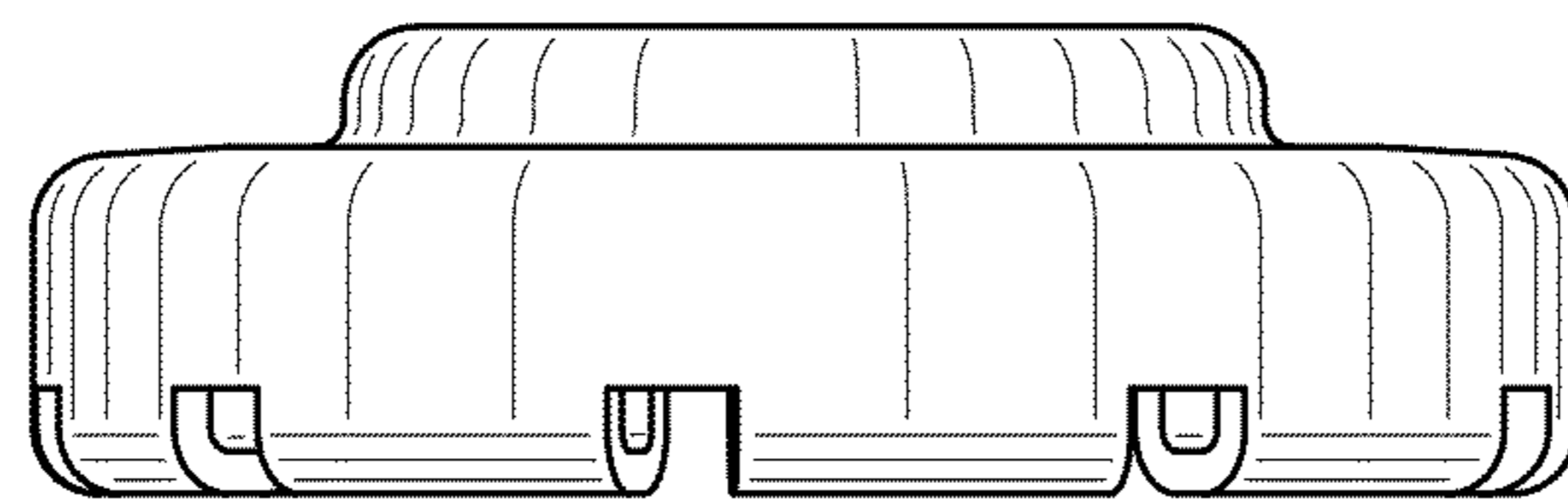


FIG. 7