



US00D728419S

(12) **United States Design Patent**
Pferdehirt

(10) **Patent No.:** **US D728,419 S**

(45) **Date of Patent:** **** May 5, 2015**

(54) **PRESS STUD**

D678,816 S * 3/2013 Chan D11/220

* cited by examiner

(71) Applicant: **YKK Corporation**, Tokyo (JP)

Primary Examiner — Zenia Bennett

(72) Inventor: **Thomas Pferdehirt**, Wuppertal (DE)

(74) *Attorney, Agent, or Firm* — Kilpatrick Townsend & Stockton LLP

(73) Assignee: **YKK Corporation** (JP)

(**) Term: **14 Years**

(57) **CLAIM**

The ornamental design for a press stud, as shown and described.

(21) Appl. No.: **29/462,071**

(22) Filed: **Jul. 30, 2013**

DESCRIPTION

(30) **Foreign Application Priority Data**

Jan. 31, 2013	(DE)	20 2013 000 996 U
Feb. 25, 2013	(DE)	20 2013 001 808 U
May 28, 2013	(EM)	001372387-0003
May 28, 2013	(EM)	001372387-0006
May 28, 2013	(EM)	001372387-0009
May 28, 2013	(EM)	001372387-0012

FIG. 1 is a top perspective view of a press stud according to a first embodiment;

FIG. 2 is a bottom perspective view thereof;

FIG. 3 is a front view thereof;

FIG. 4 is a top plan view thereof;

FIG. 5 is a bottom view thereof;

FIG. 6 is a top perspective view of a press stud according to a second embodiment;

FIG. 7 is a bottom perspective view thereof;

FIG. 8 is a front view thereof;

FIG. 9 is a top plan view thereof;

FIG. 10 is a bottom view thereof;

FIG. 11 is a top perspective view of a press stud according to a third embodiment;

FIG. 12 is a bottom perspective view thereof;

FIG. 13 is a front view thereof;

FIG. 14 is a top plan view thereof;

FIG. 15 is a bottom view thereof;

FIG. 16 is a top perspective view of a press stud according to a fourth embodiment;

FIG. 17 is a bottom perspective view thereof;

FIG. 18 is a front view thereof;

FIG. 19 is a top plan view thereof; and,

FIG. 20 is a bottom view thereof.

The broken lines in the drawing are for illustrative purposes only and form no part of the claimed design.

(51) **LOC (10) Cl.** **02-07**

(52) **U.S. Cl.**
USPC **D11/220**

(58) **Field of Classification Search**
CPC A44B 1/08; A44B 17/0088
USPC D11/220, 22, 226, 218; 24/1, 681,
24/689-691, 18, 683, 108, 674, 692,
24/621-623, 671, 662, 618; 292/319;
D8/382

See application file for complete search history.

(56) **References Cited**

U.S. PATENT DOCUMENTS

D319,201 S *	8/1991	Aoki	D11/220
7,157,152 B2 *	1/2007	Urata et al.	428/639
7,490,386 B2 *	2/2009	Raccosta	24/114.9
7,867,625 B2 *	1/2011	Urata et al.	428/639
8,122,574 B2 *	2/2012	Dammermann	24/681
D665,304 S *	8/2012	Takeda	D11/220

1 Claim, 20 Drawing Sheets

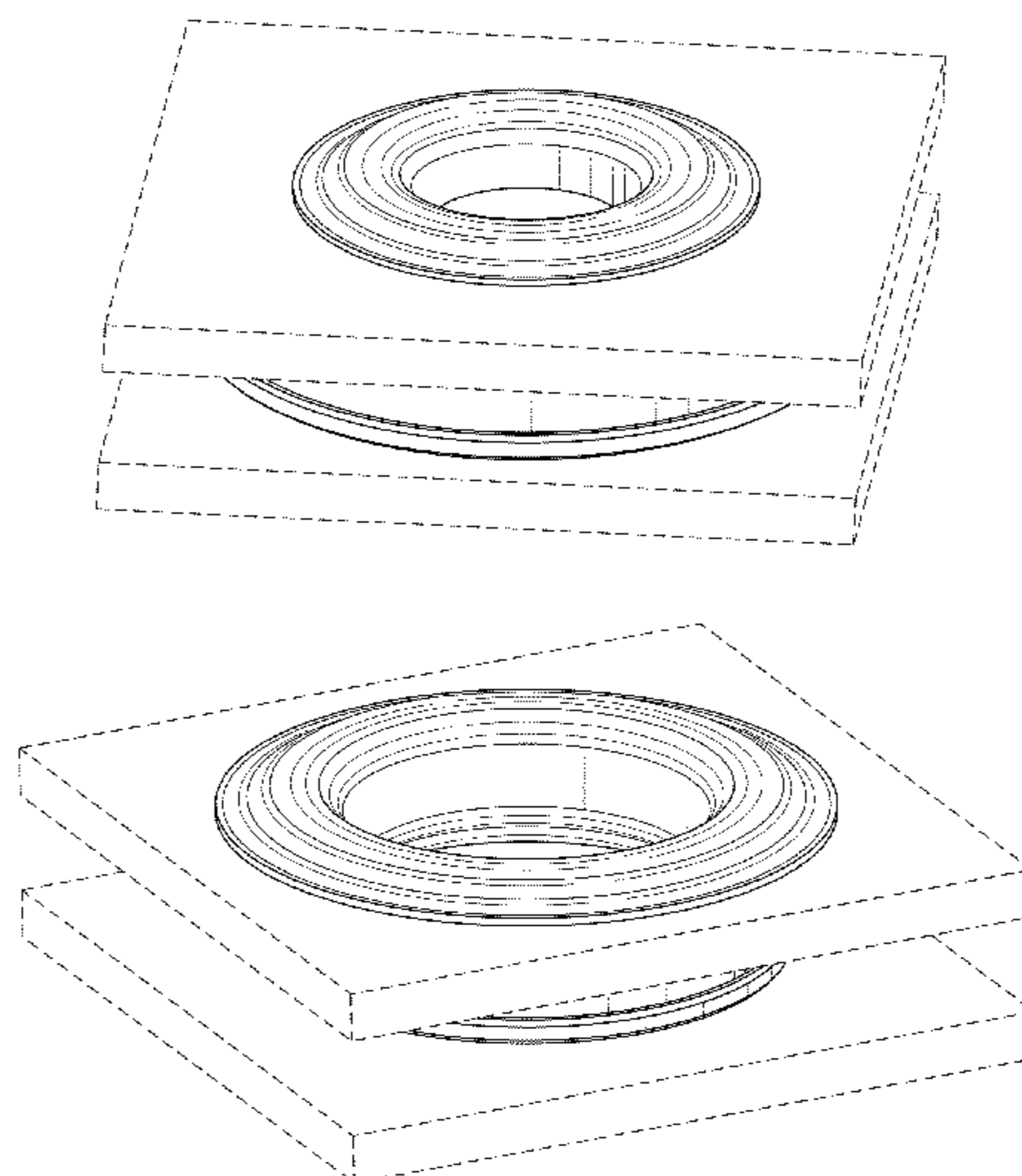


Fig. 1

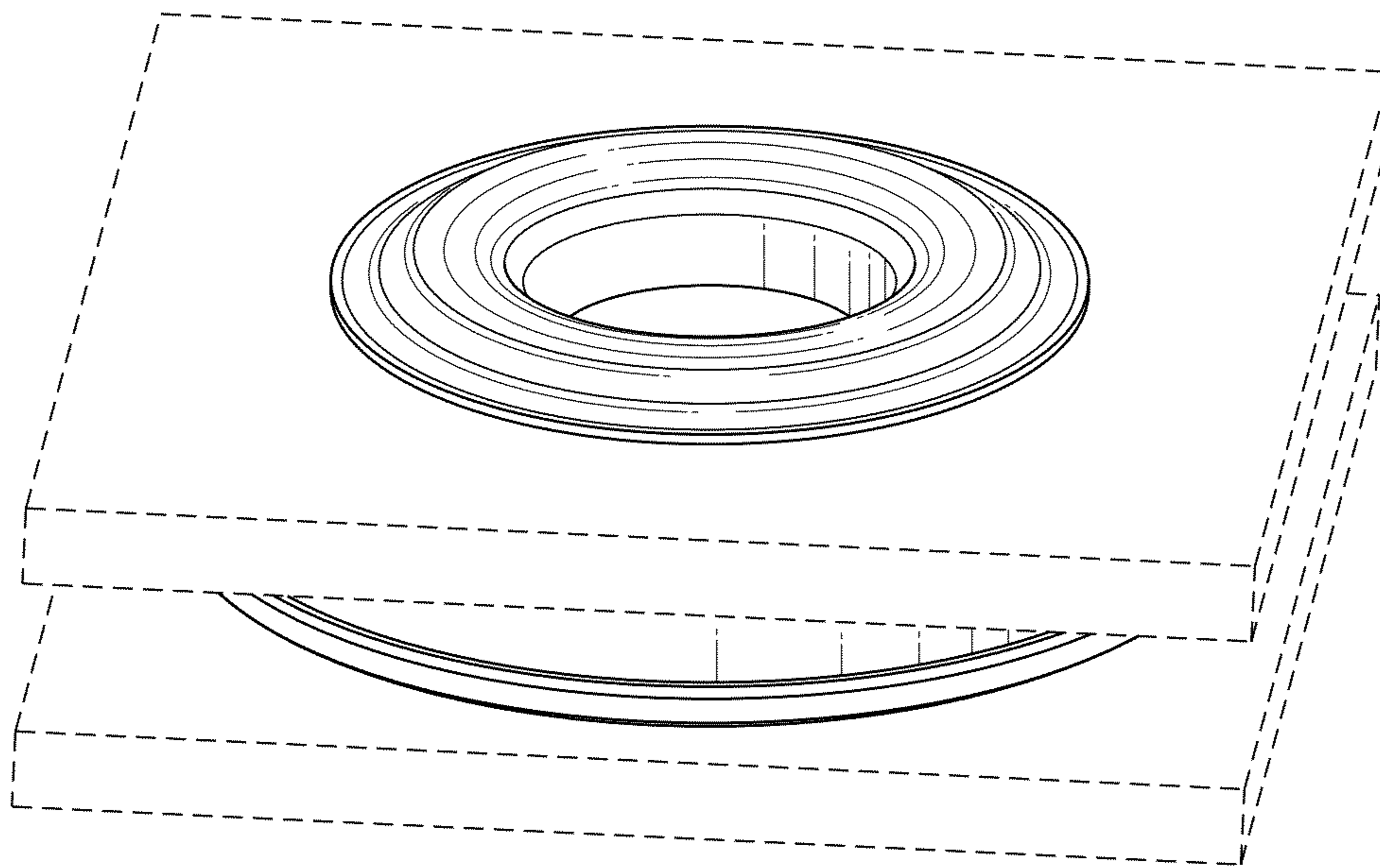


Fig. 2

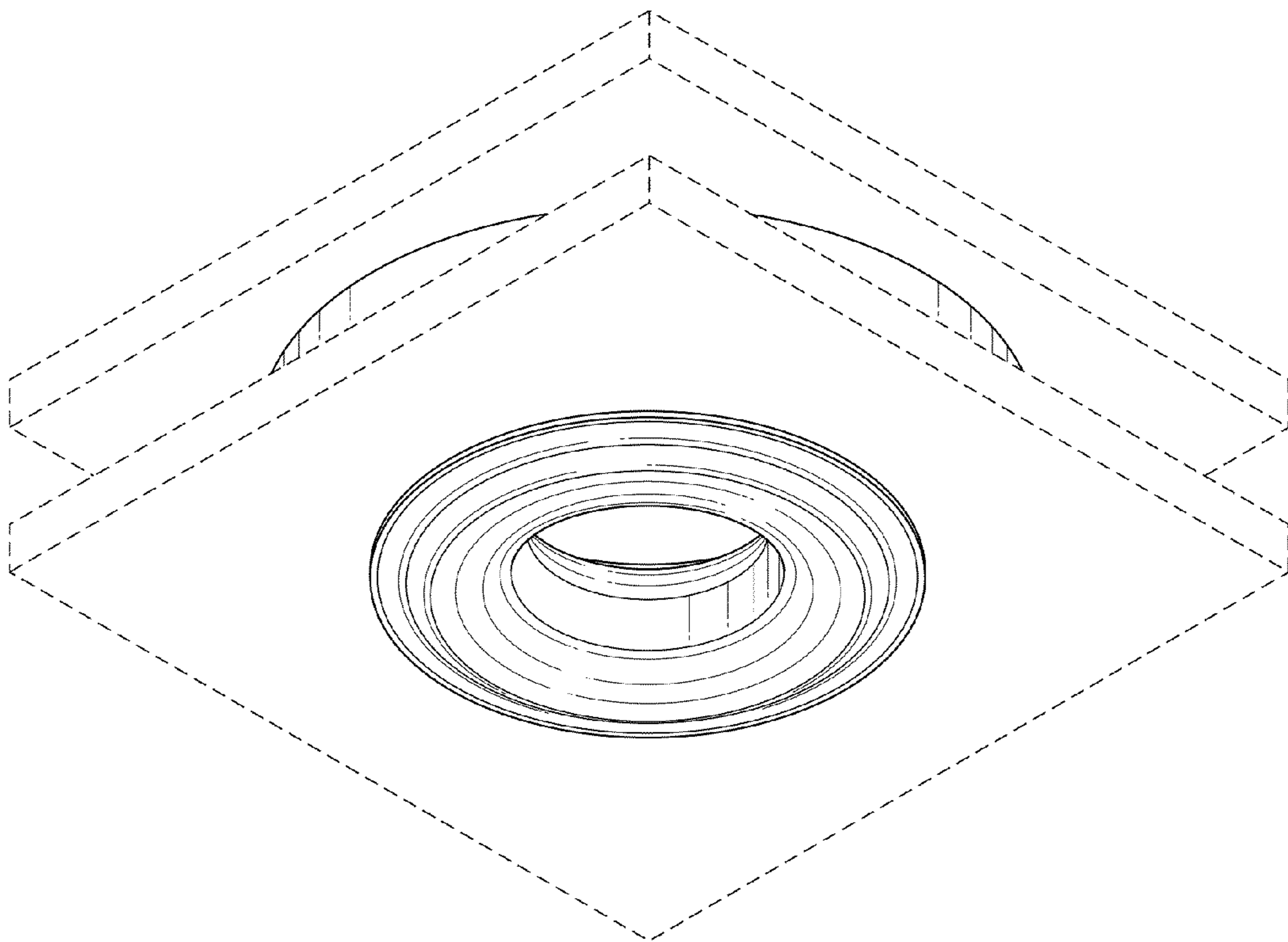


Fig. 3

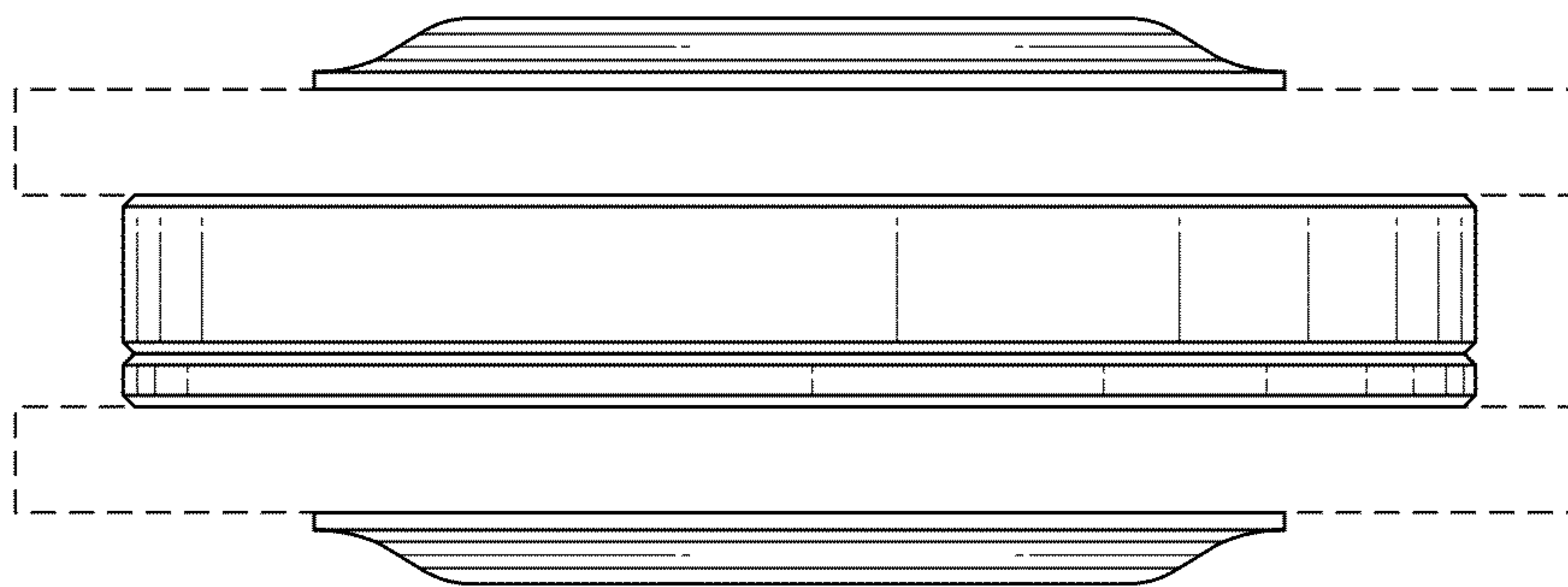


Fig. 4

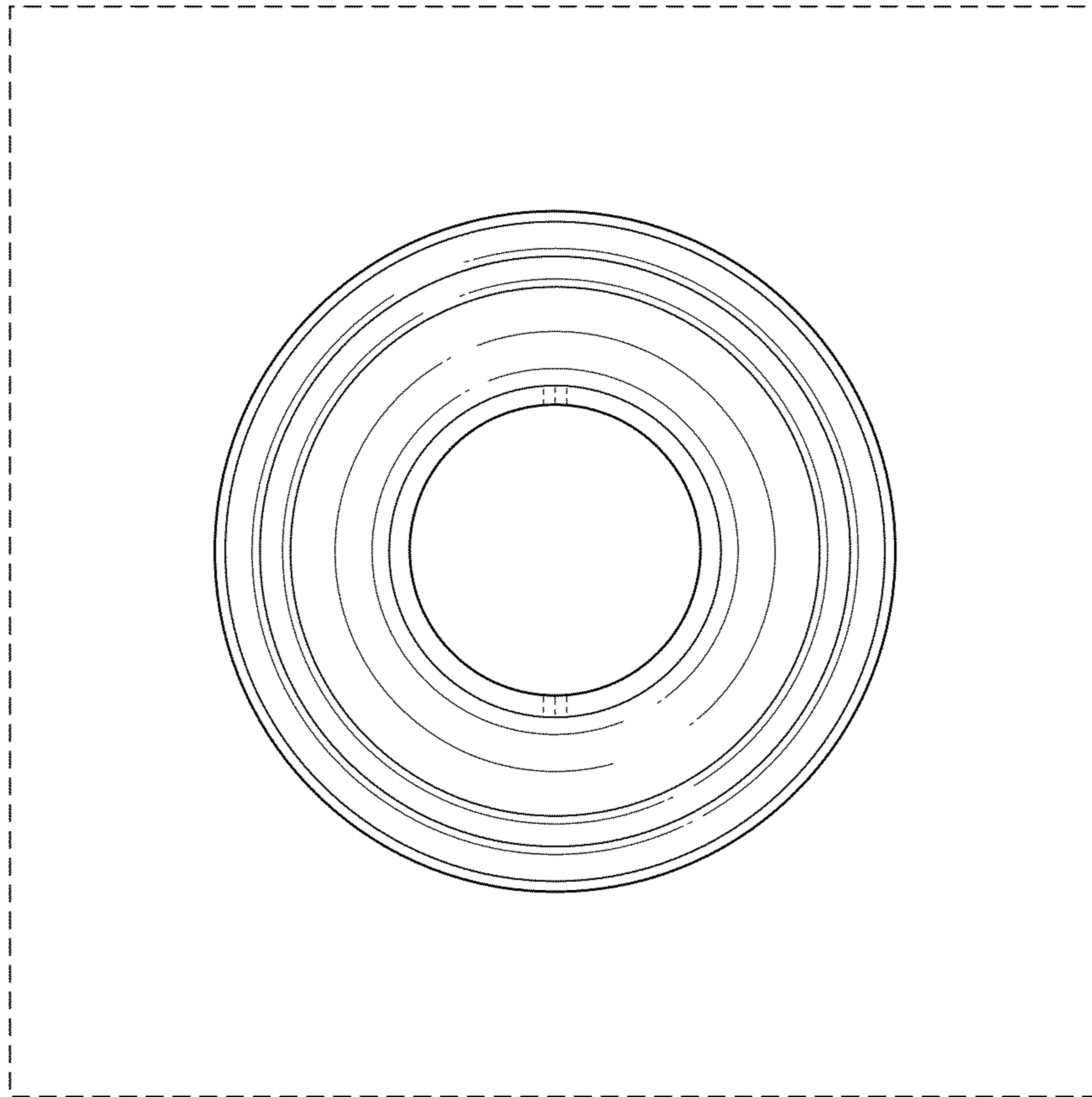


Fig. 5

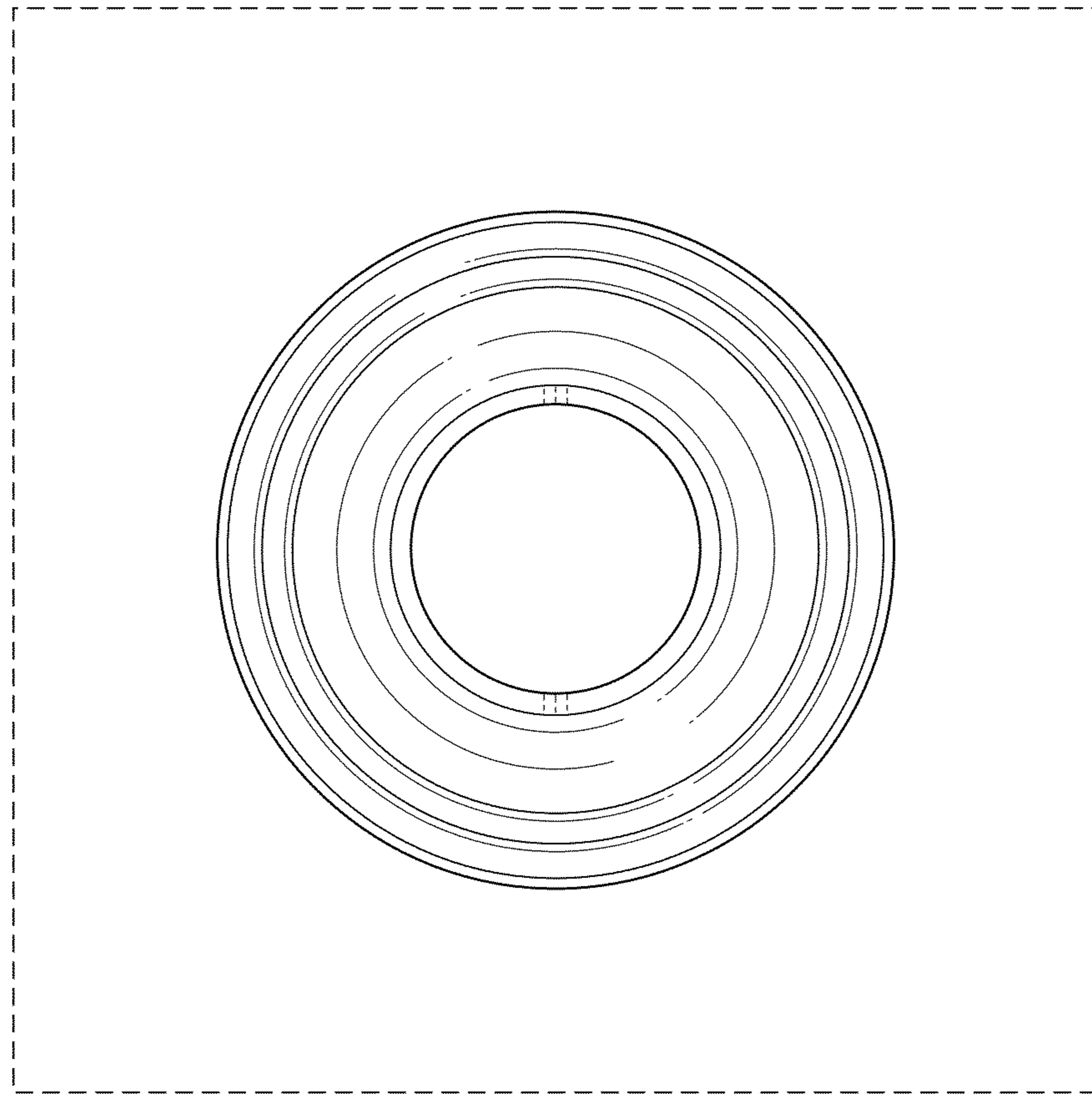


Fig. 6

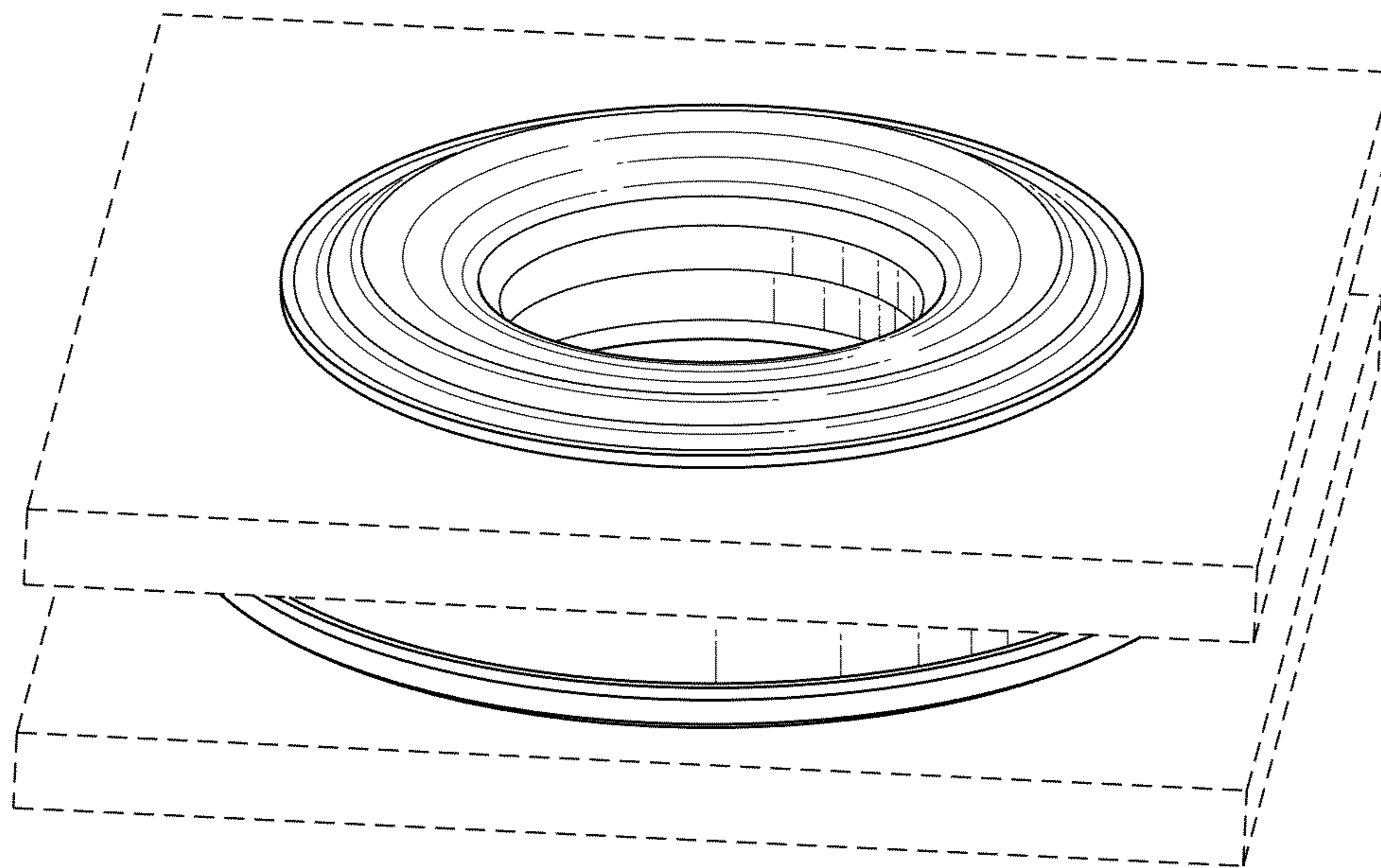


Fig. 7

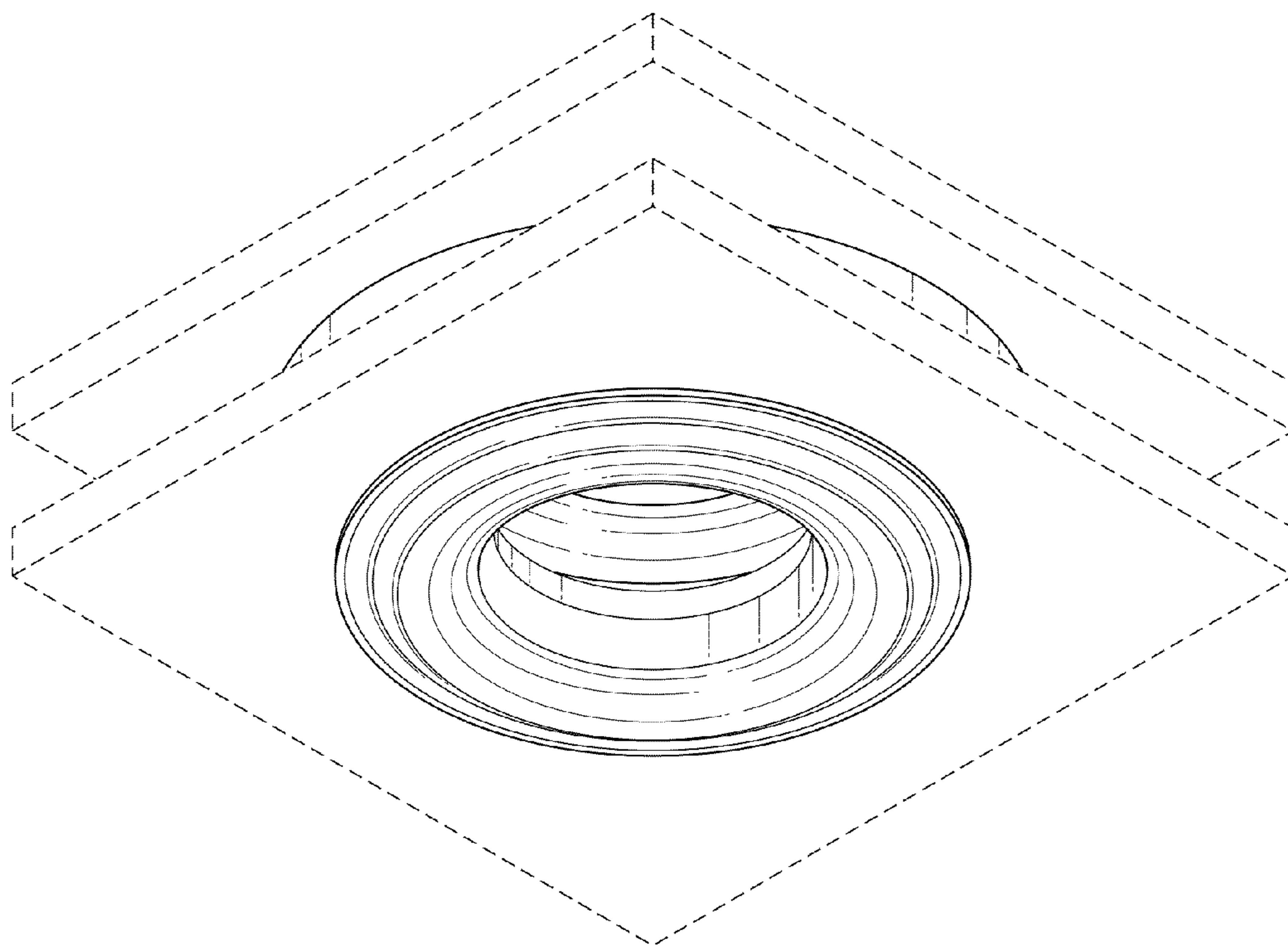


Fig. 8

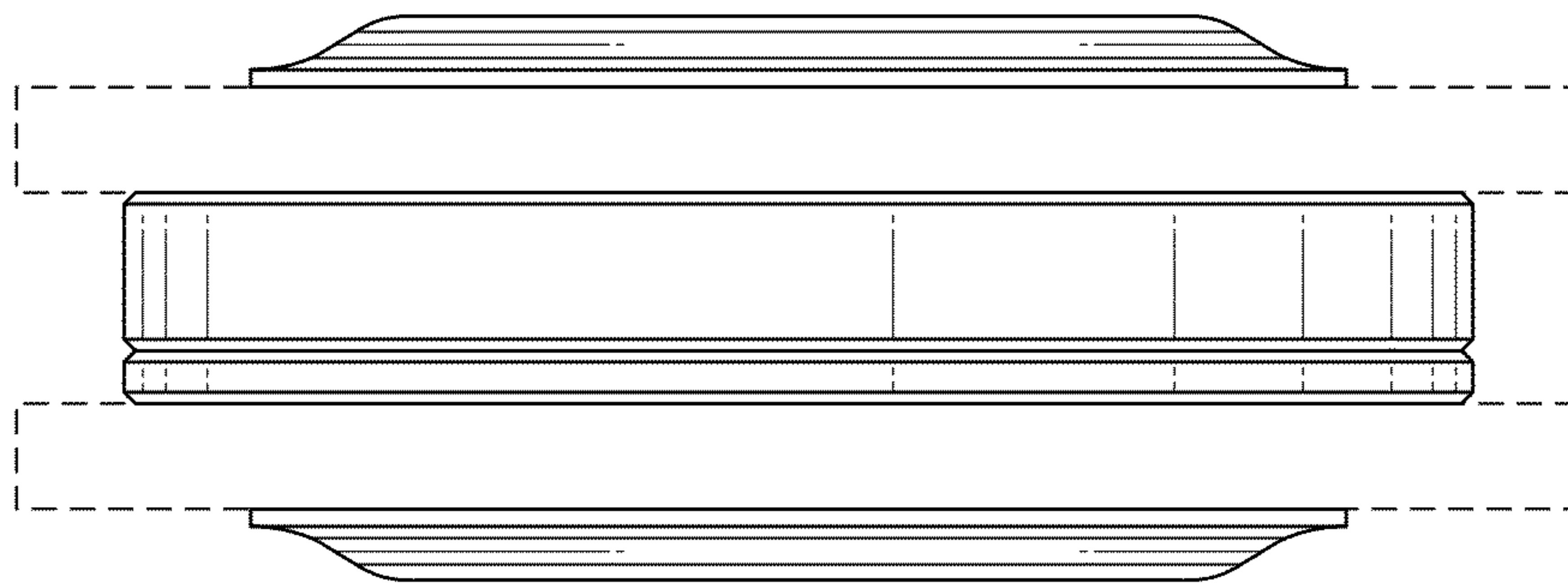


Fig. 9

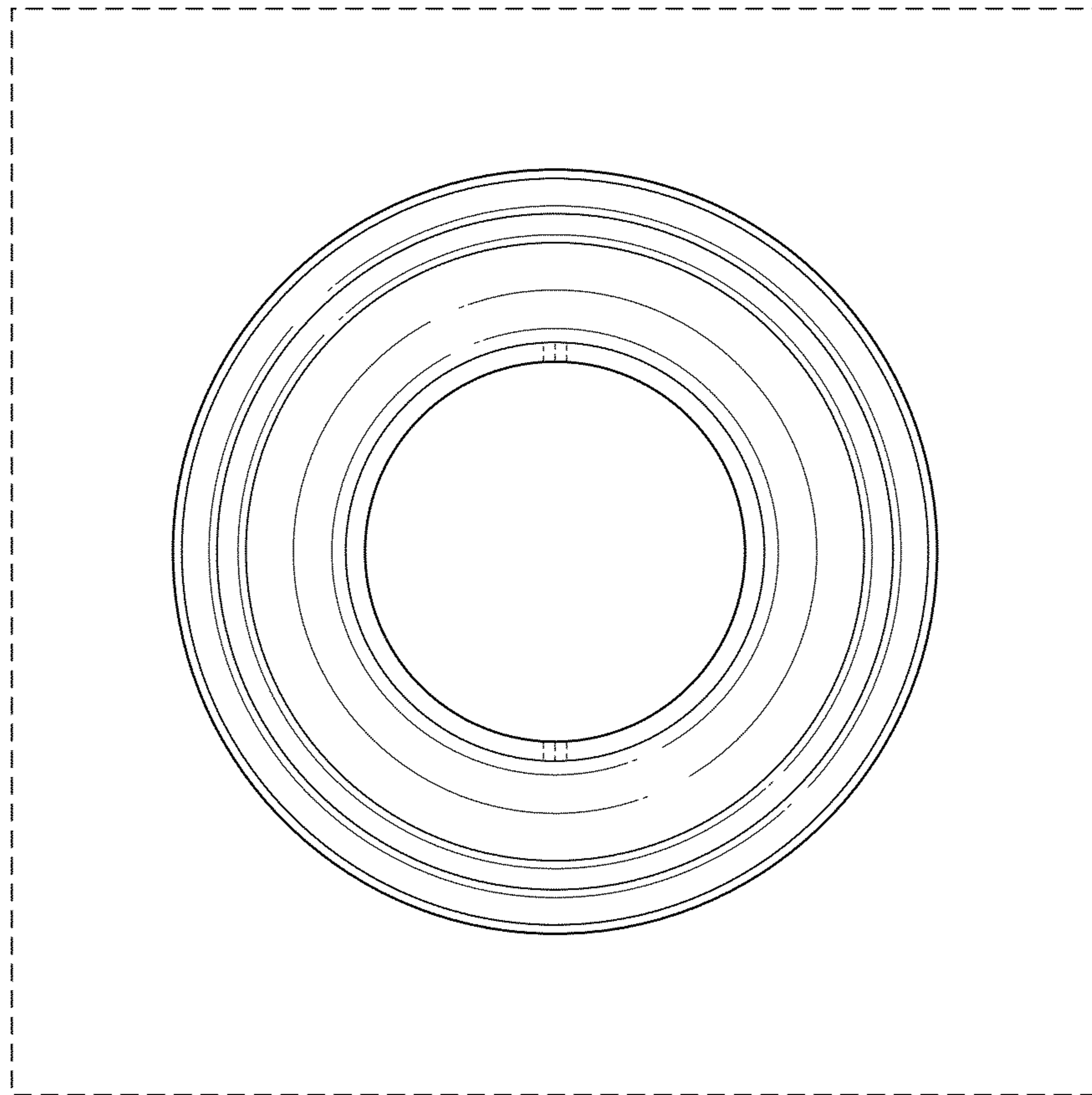


Fig. 10

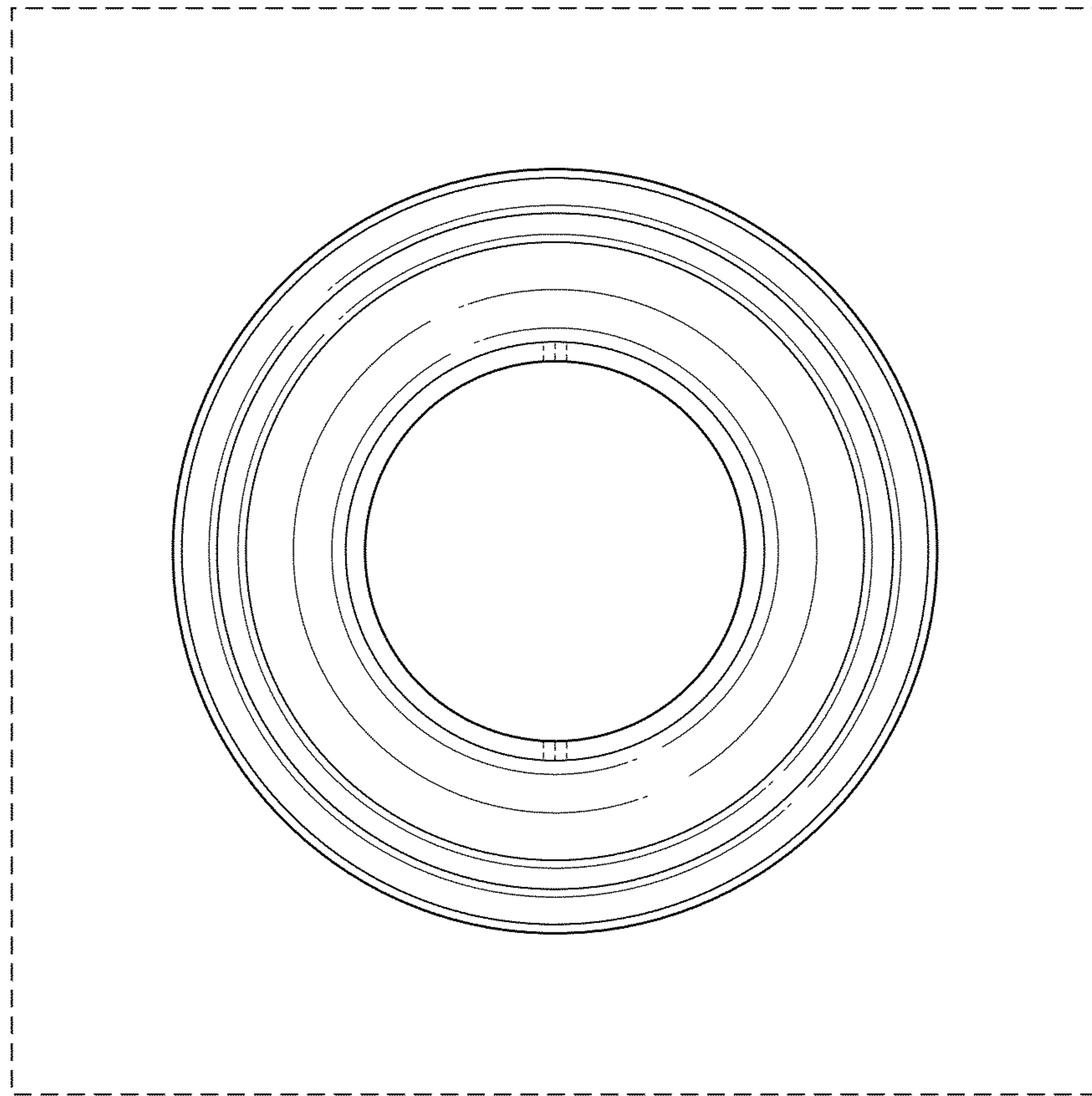


Fig. 11

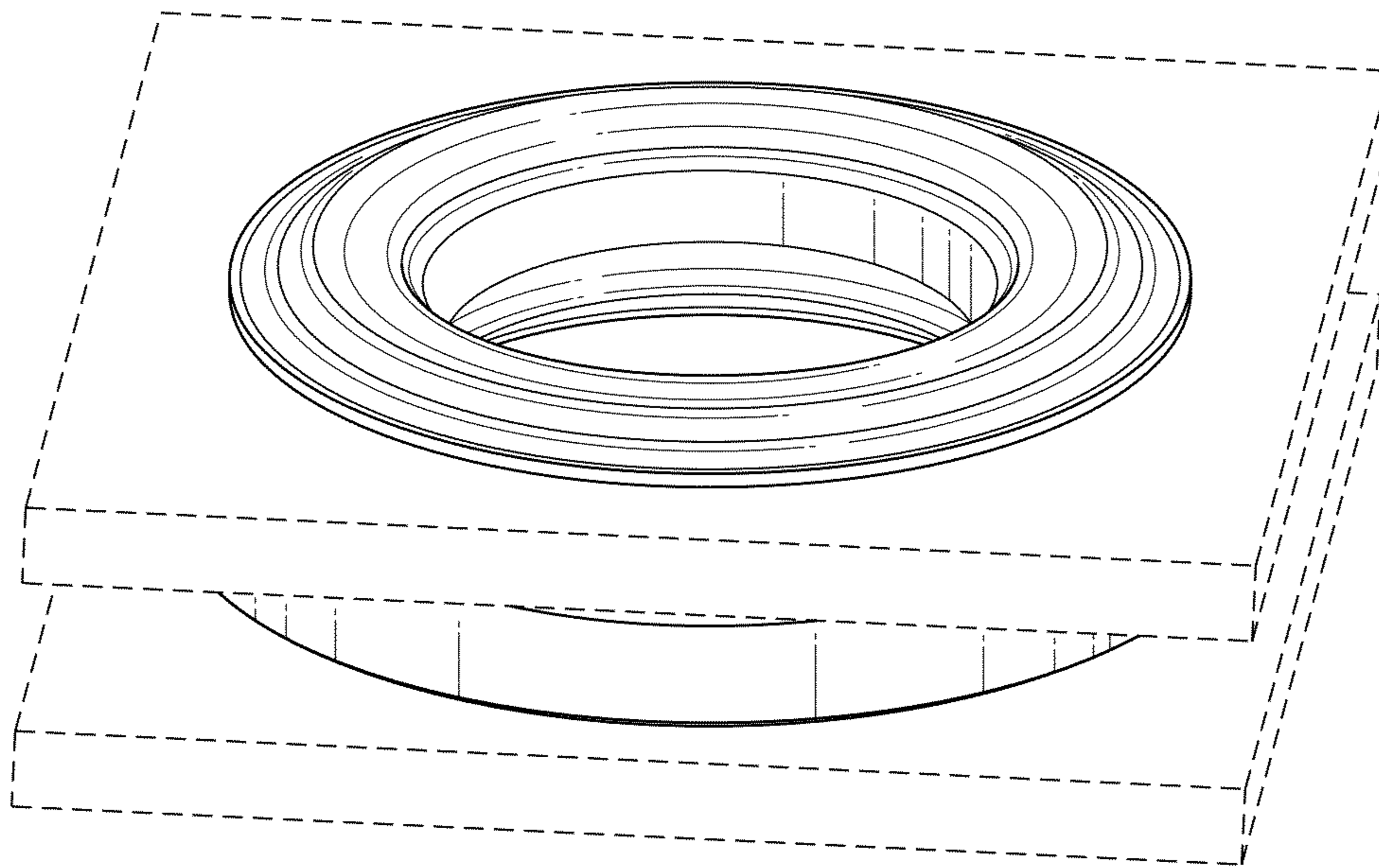


Fig. 12

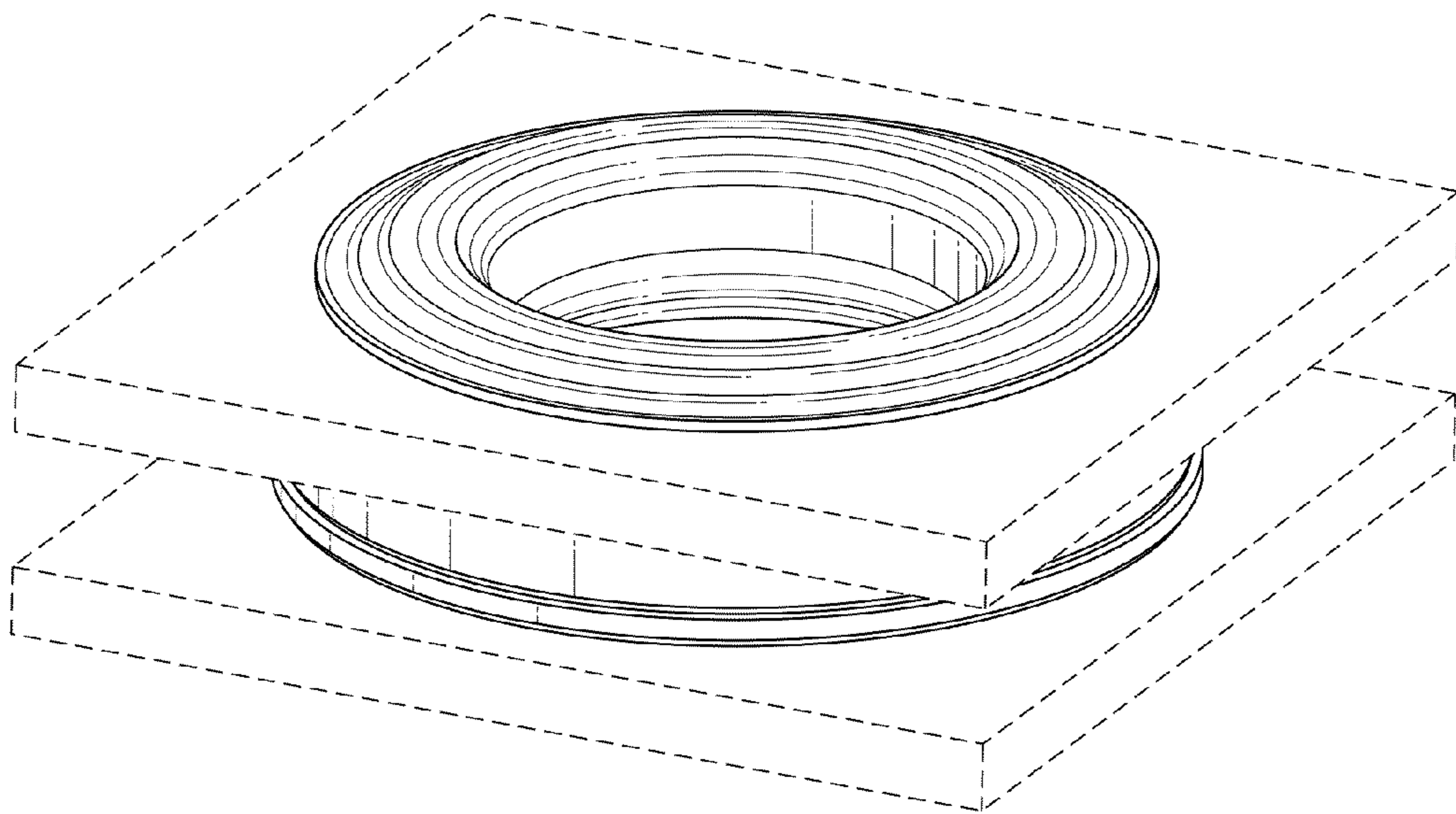


Fig. 13

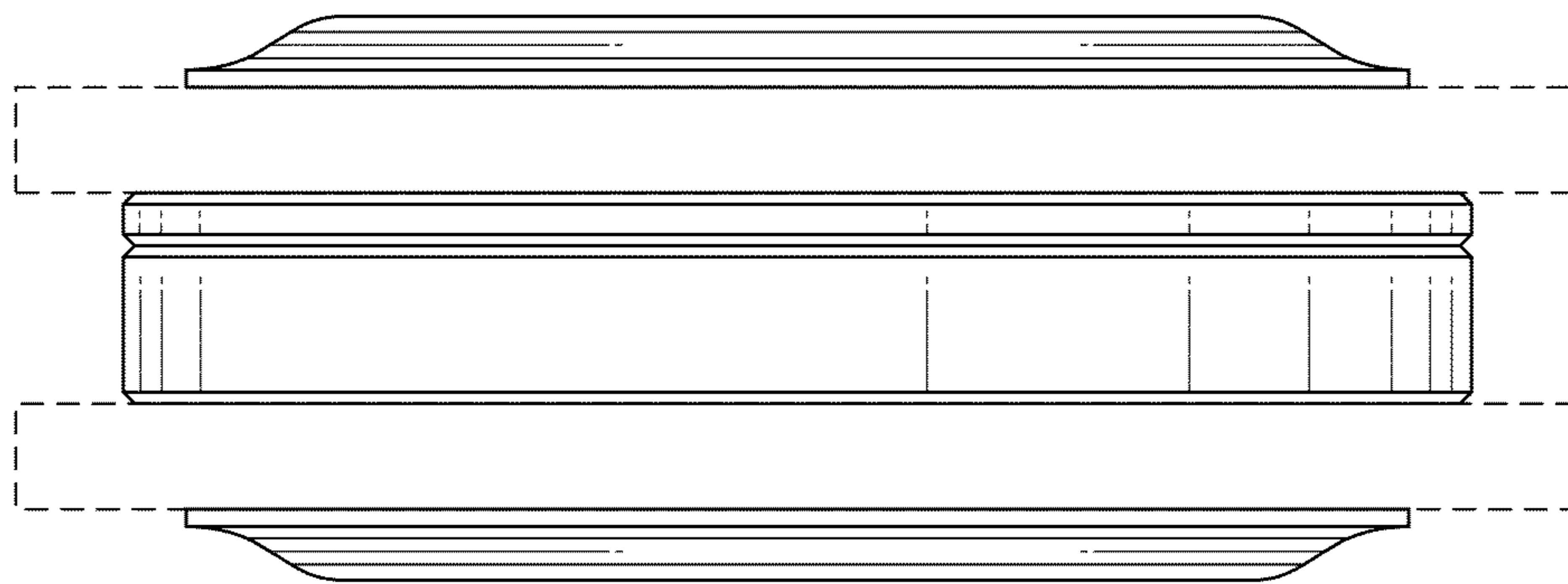


Fig. 14

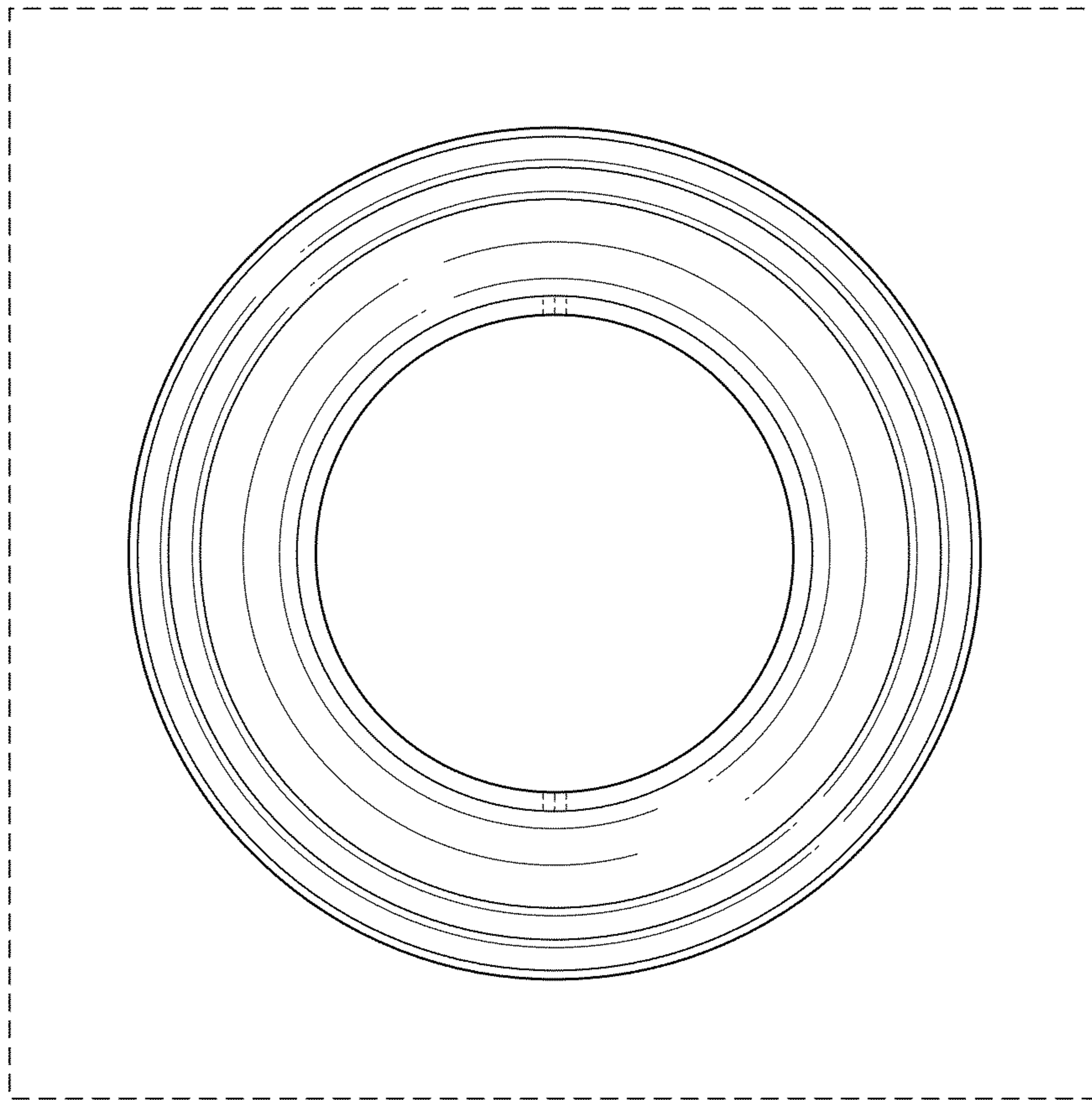


Fig. 15

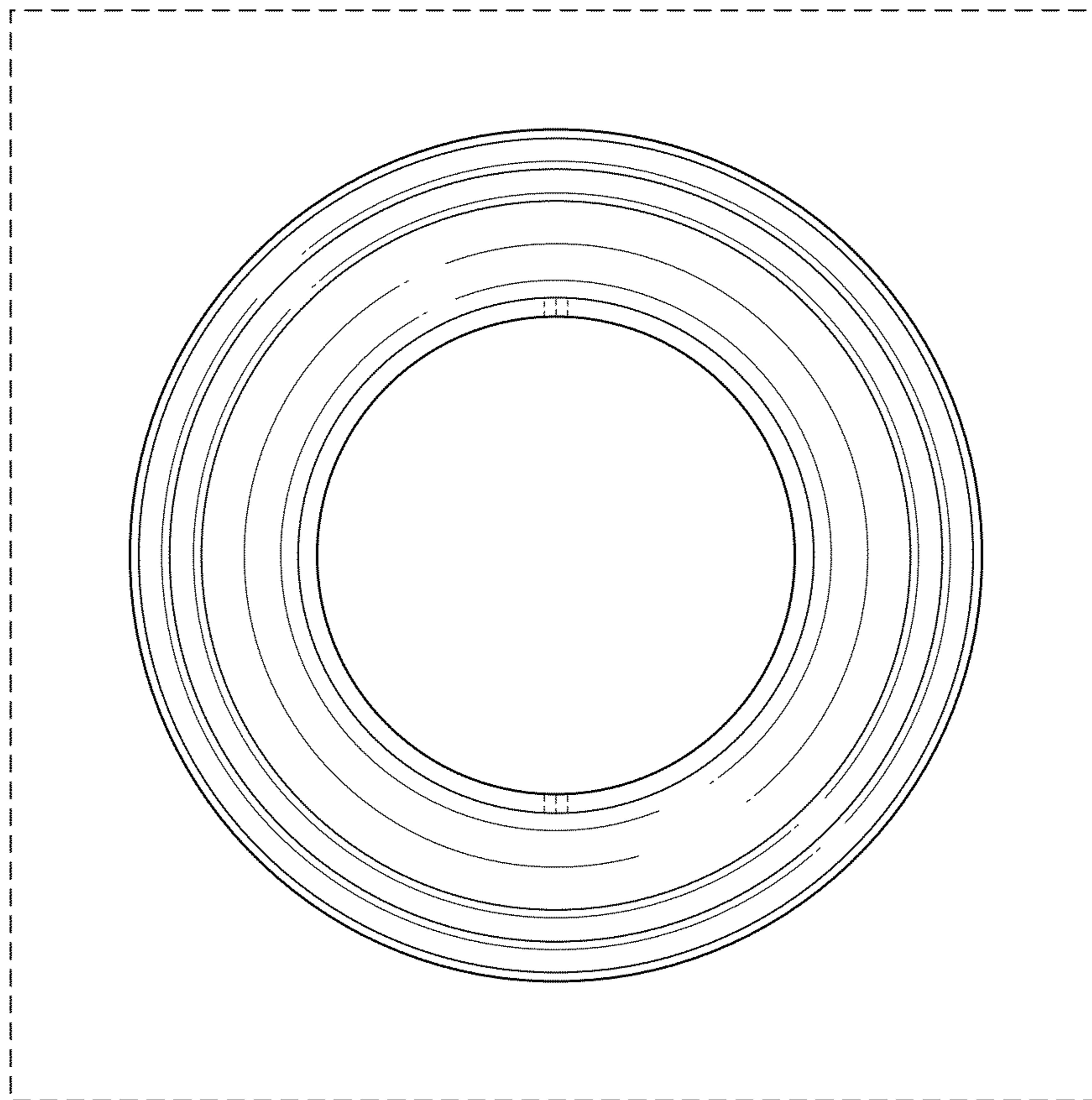


Fig. 16

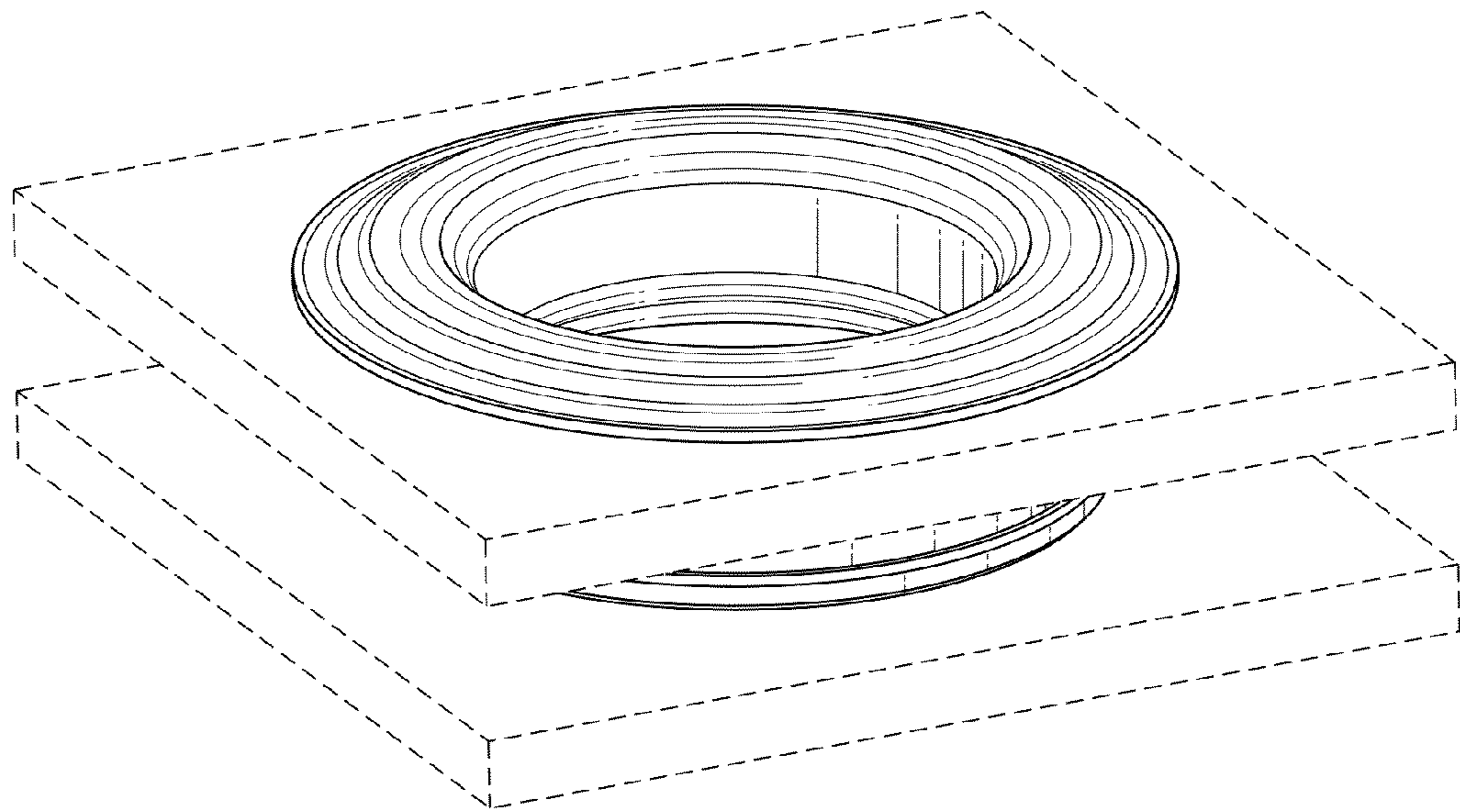


Fig. 17

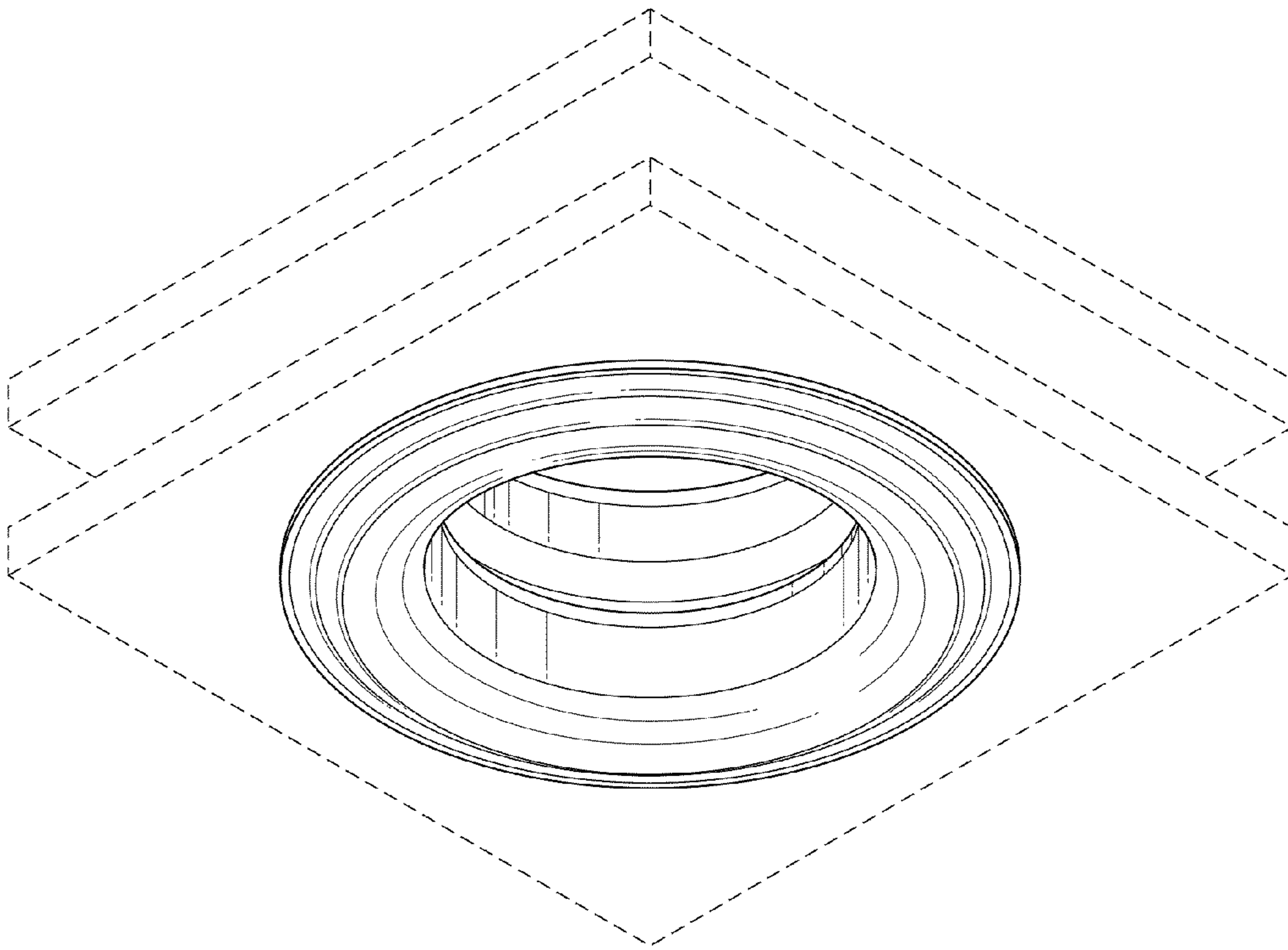


Fig. 18

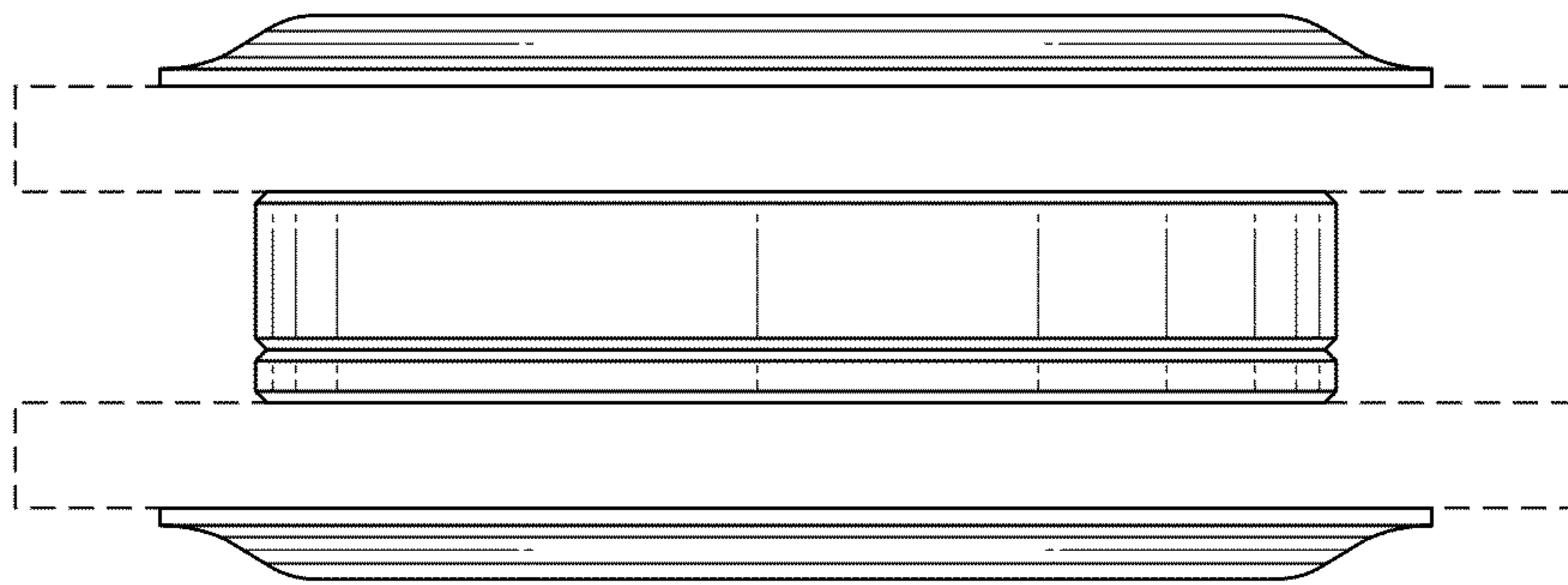


Fig. 19

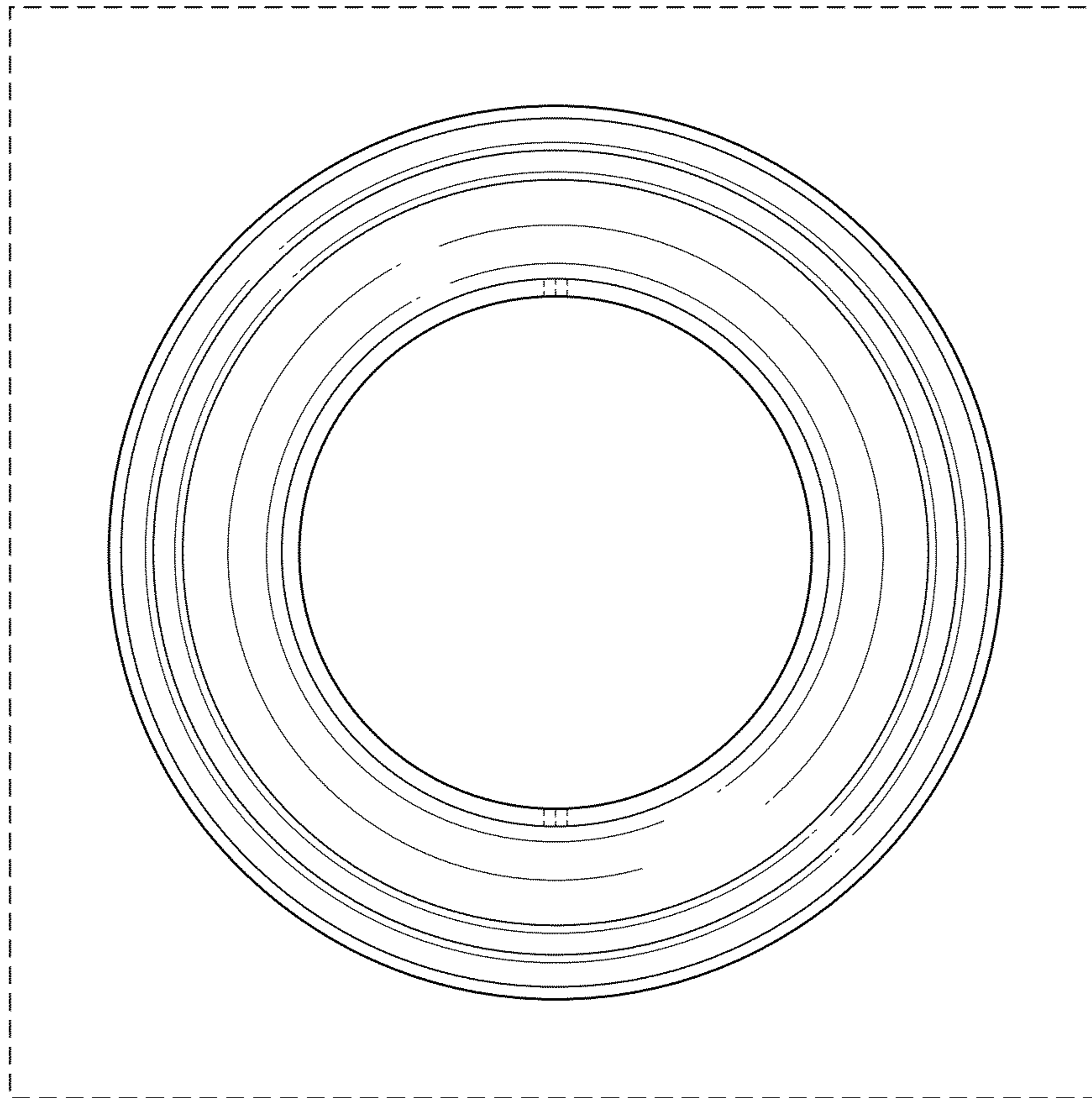


Fig. 20

