



US00D728415S

(12) **United States Design Patent**  
**Carlsen**

(10) **Patent No.:** **US D728,415 S**  
(45) **Date of Patent:** **\*\* May 5, 2015**

(54) **INFLATABLE SELF-AFFIXING WINDOW  
NOVELTY ITEM**

(71) Applicant: **Trae Carlsen**, Allendale, MI (US)  
(72) Inventor: **Trae Carlsen**, Allendale, MI (US)  
(73) Assignee: **Alvimar-Global**, Grand Rapids, MI  
(US)

(\*\*) Term: **14 Years**

(21) Appl. No.: **29/445,874**

(22) Filed: **Feb. 18, 2013**

(51) **LOC (10) Cl.** ..... **11-02**

(52) **U.S. Cl.**  
USPC ..... **D11/157**

(58) **Field of Classification Search**  
USPC ..... D11/211, 81, 157, 133, 172, 140;  
D12/190, 192, 400, 90, 91, 92, 199,  
D12/197, 163, 86, 171, 169, 110, 114;  
D20/11, 23, 24, 25, 30, 31, 32;  
293/102, 115; 40/413, 519, 592;  
428/31

See application file for complete search history.

(56) **References Cited**

U.S. PATENT DOCUMENTS

D388,832 S *	1/1998	Stiemert	.....	D20/11
5,713,076 A *	2/1998	Davis	.....	2/4
D451,048 S *	11/2001	Adams	.....	D11/133
D471,508 S *	3/2003	Schifrin	.....	D12/400
D597,911 S *	8/2009	Hu	.....	D12/190
D626,048 S *	10/2010	Hu	.....	D12/190
D651,552 S *	1/2012	Soukup	.....	D12/400
D658,542 S *	5/2012	Eccles	.....	D11/184
D691,209 S *	10/2013	Tate	.....	D20/29

\* cited by examiner

*Primary Examiner* — T. Chase Nelson

*Assistant Examiner* — Michelle E Wilson

(74) *Attorney, Agent, or Firm* — Jelic Patent Services, LLC;  
Stanley E. Jelic

(57) **CLAIM**

I claim the ornamental design for an inflatable self-affixing window novelty item, as shown and described.

**DESCRIPTION**

FIG. 1 is a top, front, and right side perspective view of an inflatable self-affixing window novelty item showing my new design.

FIG. 2 is a back view thereof.

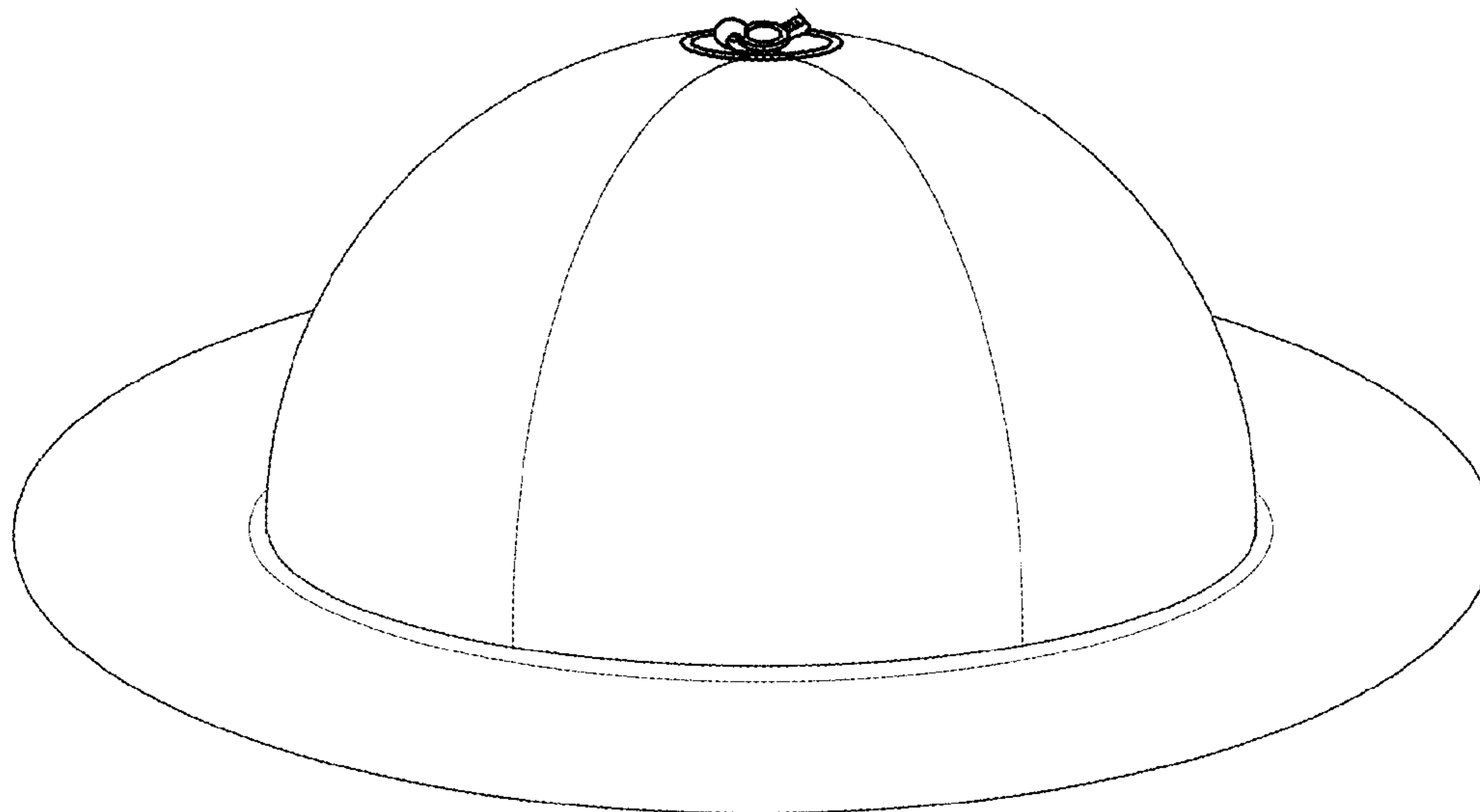
FIG. 3 is a bottom view thereof.

FIG. 4 is a front view thereof.

FIG. 5 is a side view thereof; and,

FIG. 6 is a top view thereof.

**1 Claim, 6 Drawing Sheets**



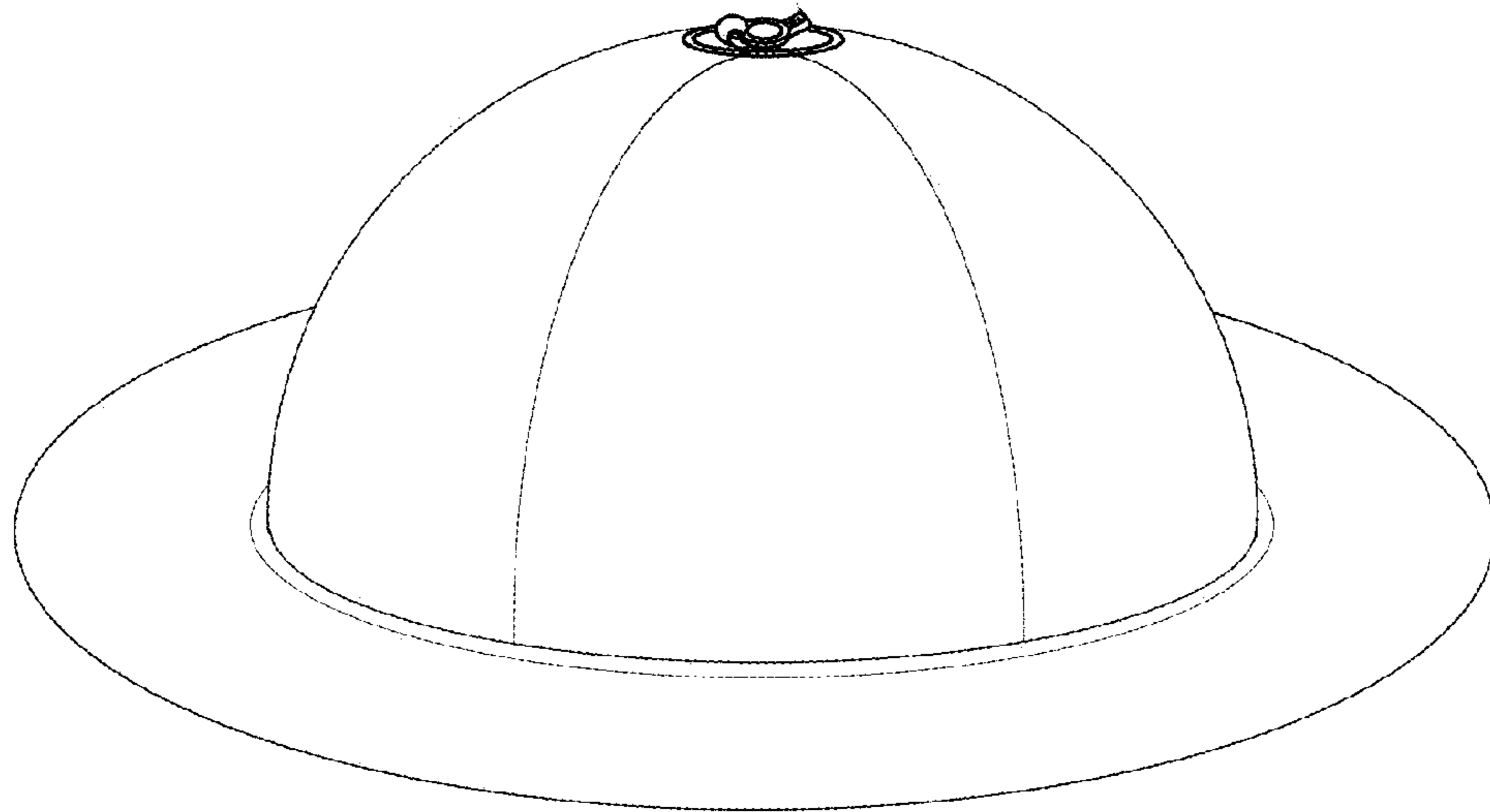


FIG. 1

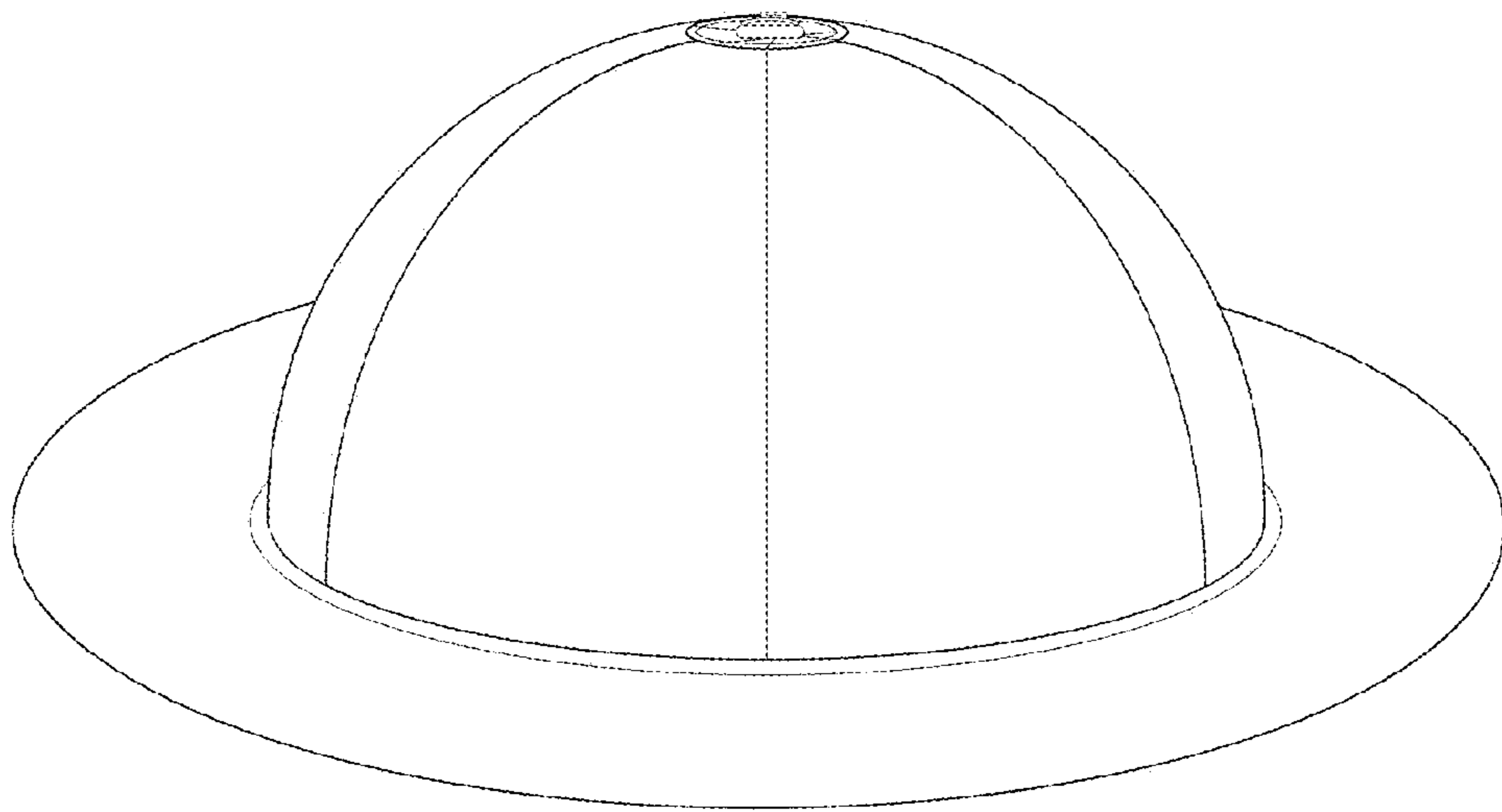


FIG. 2

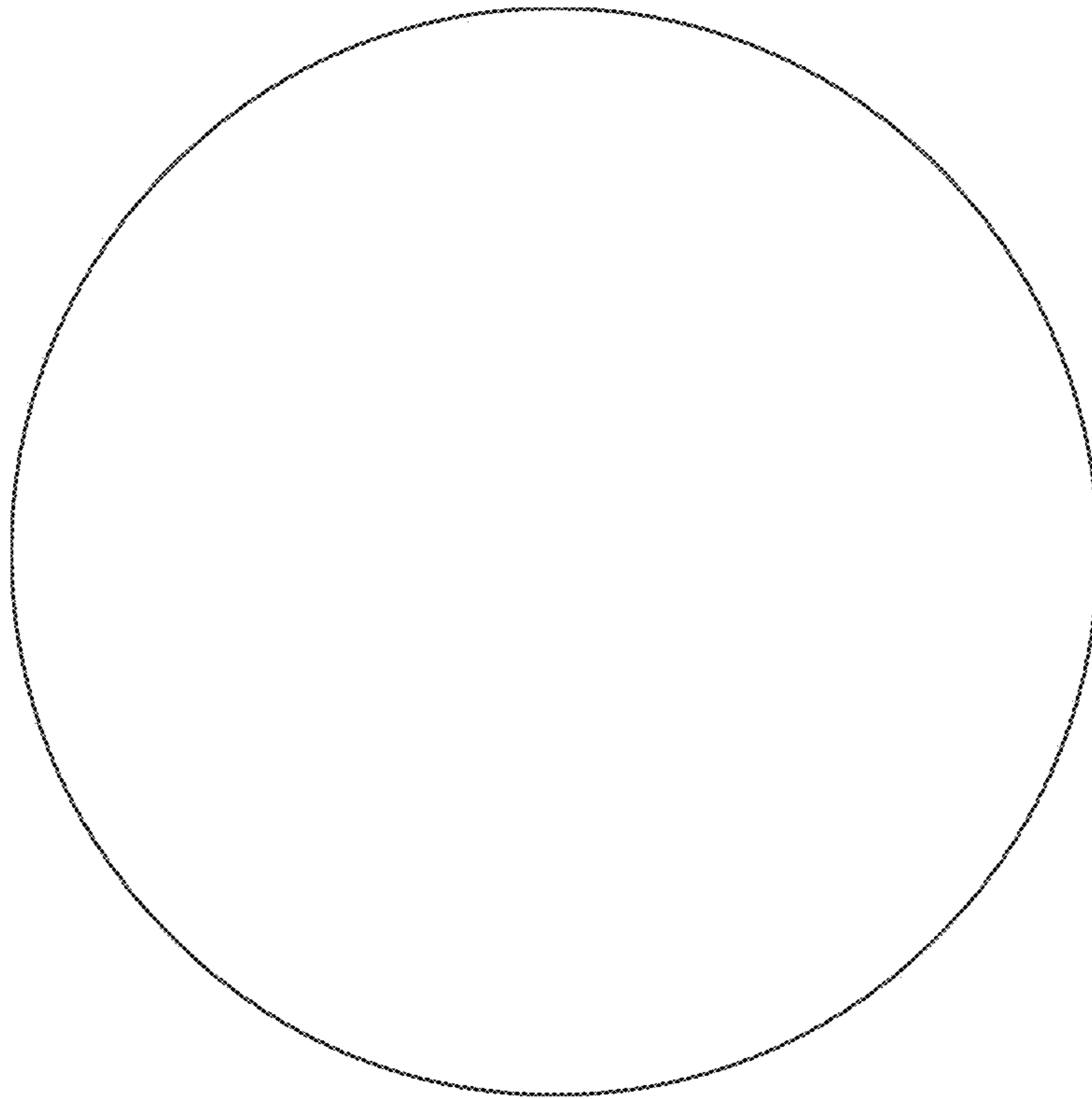


FIG. 3

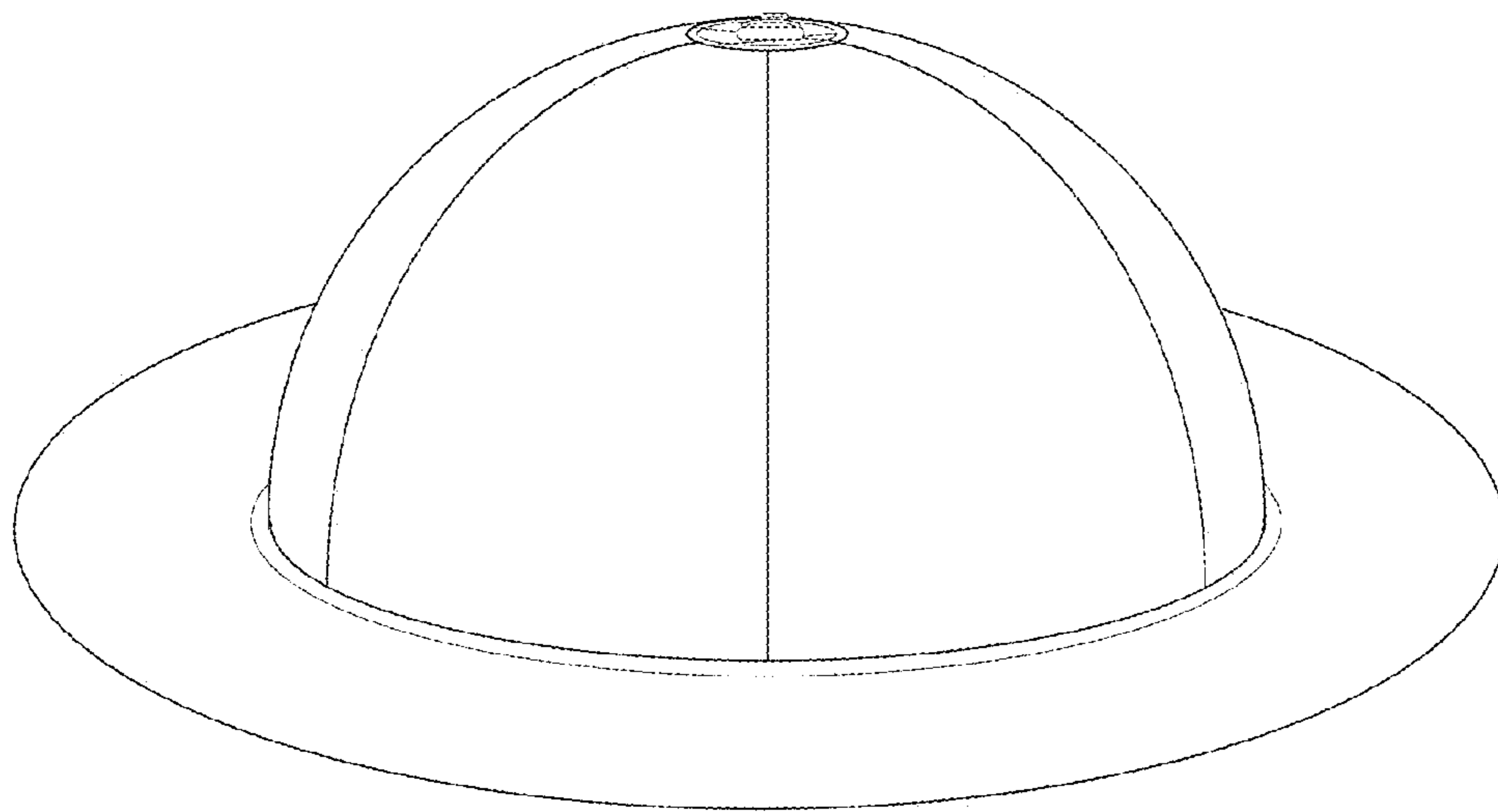


FIG. 4

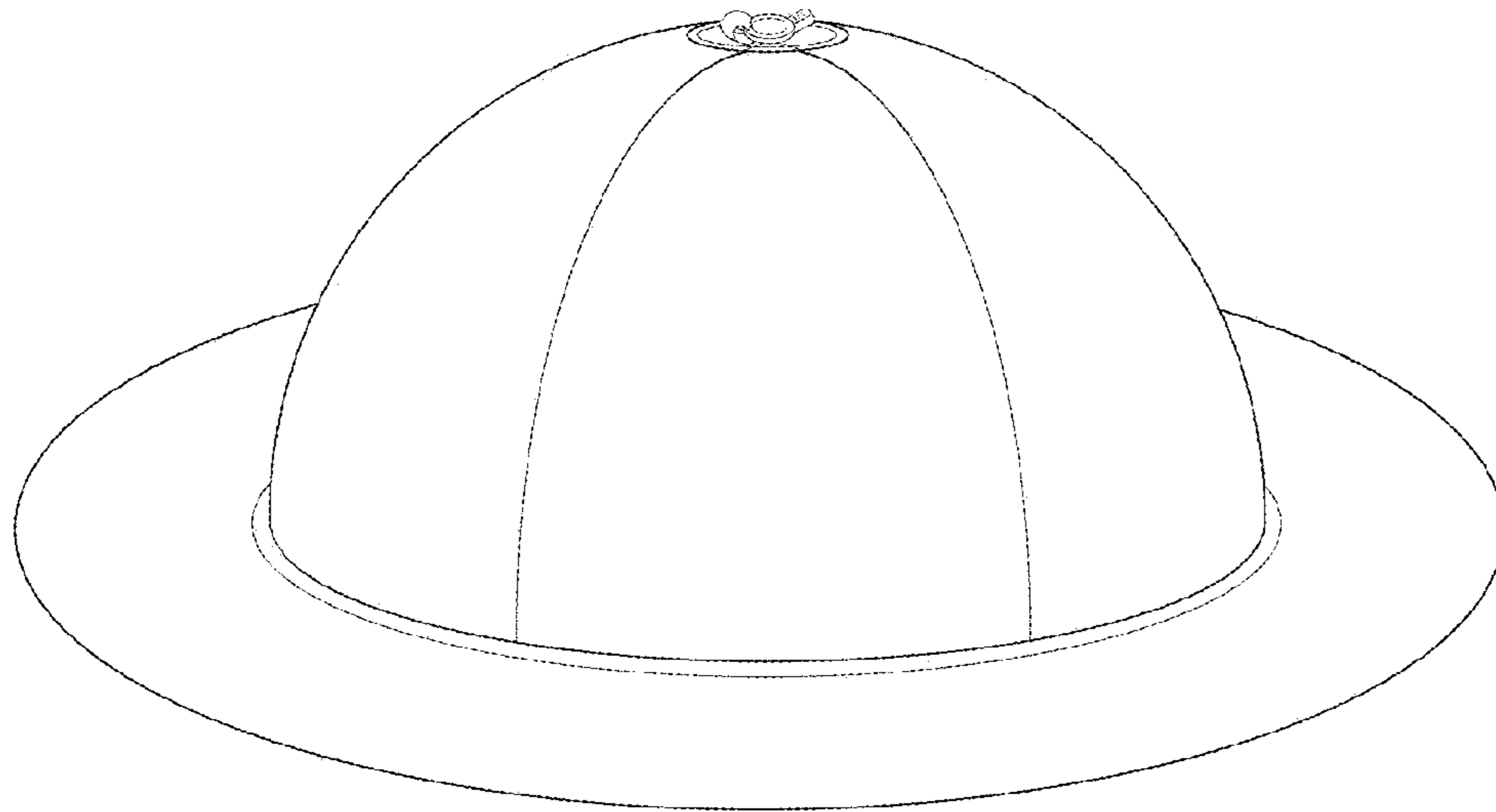


FIG. 5

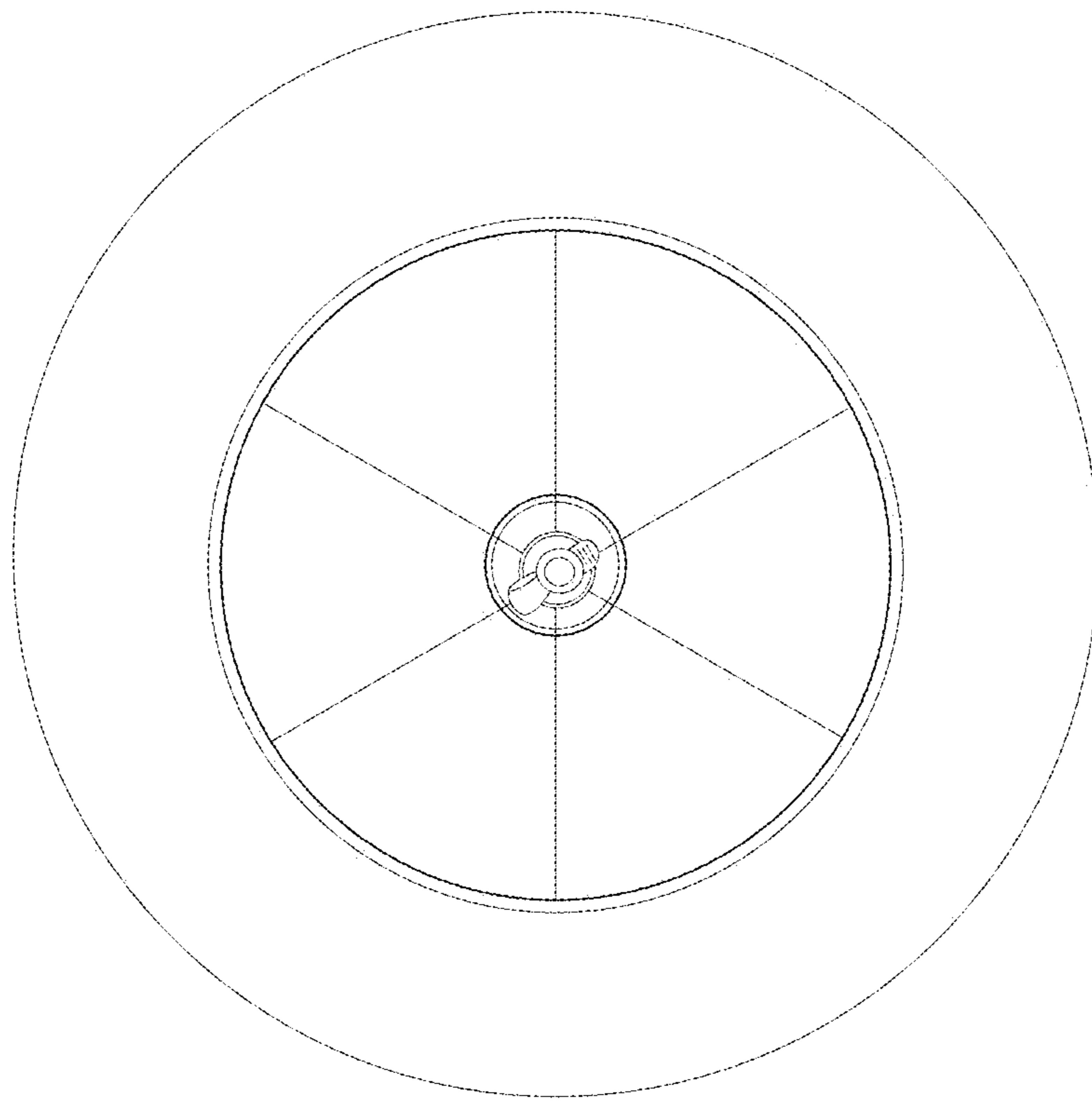


FIG. 6