



US00D728413S

(12) **United States Design Patent**  
**Karmes**

(10) **Patent No.:** **US D728,413 S**

(45) **Date of Patent:** **\*\* May 5, 2015**

(54) **STONE SETTING FOR A RING**

(71) Applicant: **Sydney Evan**, Los Angeles, CA (US)

(72) Inventor: **Rosanne Karmes**, Beverly Hills, CA (US)

(73) Assignee: **Sydney Evan**, Los Angeles, CA (US)

(\*\*) Term: **14 Years**

(21) Appl. No.: **29/499,332**

(22) Filed: **Aug. 13, 2014**

(51) **LOC (10) Cl.** ..... **11-01**

(52) **U.S. Cl.**  
USPC ..... **D11/92; D11/36**

(58) **Field of Classification Search**  
USPC ..... D11/1, 2, 26-39, 40-42, 79-86, 91, 92;  
63/1.11, 12, 13, 15, 15.1-15.4, 15.45,  
63/15.5, 15.6, 15.65, 15.7, 26-28, 29.1,  
63/29.2

See application file for complete search history.

(56) **References Cited**

**U.S. PATENT DOCUMENTS**

D125,583 S \* 3/1941 Granat ..... D11/92  
D129,824 S \* 10/1941 Sager ..... D11/32  
D149,653 S \* 5/1948 Koven ..... D11/38  
6,260,384 B1 \* 7/2001 Mino et al. .... 63/26

6,598,277 B1 \* 7/2003 Schecter ..... 29/10  
D527,672 S \* 9/2006 Schumacher ..... D11/92  
8,037,715 B2 \* 10/2011 Hsu ..... 63/26  
D652,763 S \* 1/2012 Dunlop ..... D11/92

\* cited by examiner

*Primary Examiner* — Garth Rademaker

*Assistant Examiner* — Melanie Pellegrini

(74) *Attorney, Agent, or Firm* — Holland & Knight LLP;  
Richard E. Lyon, Jr.

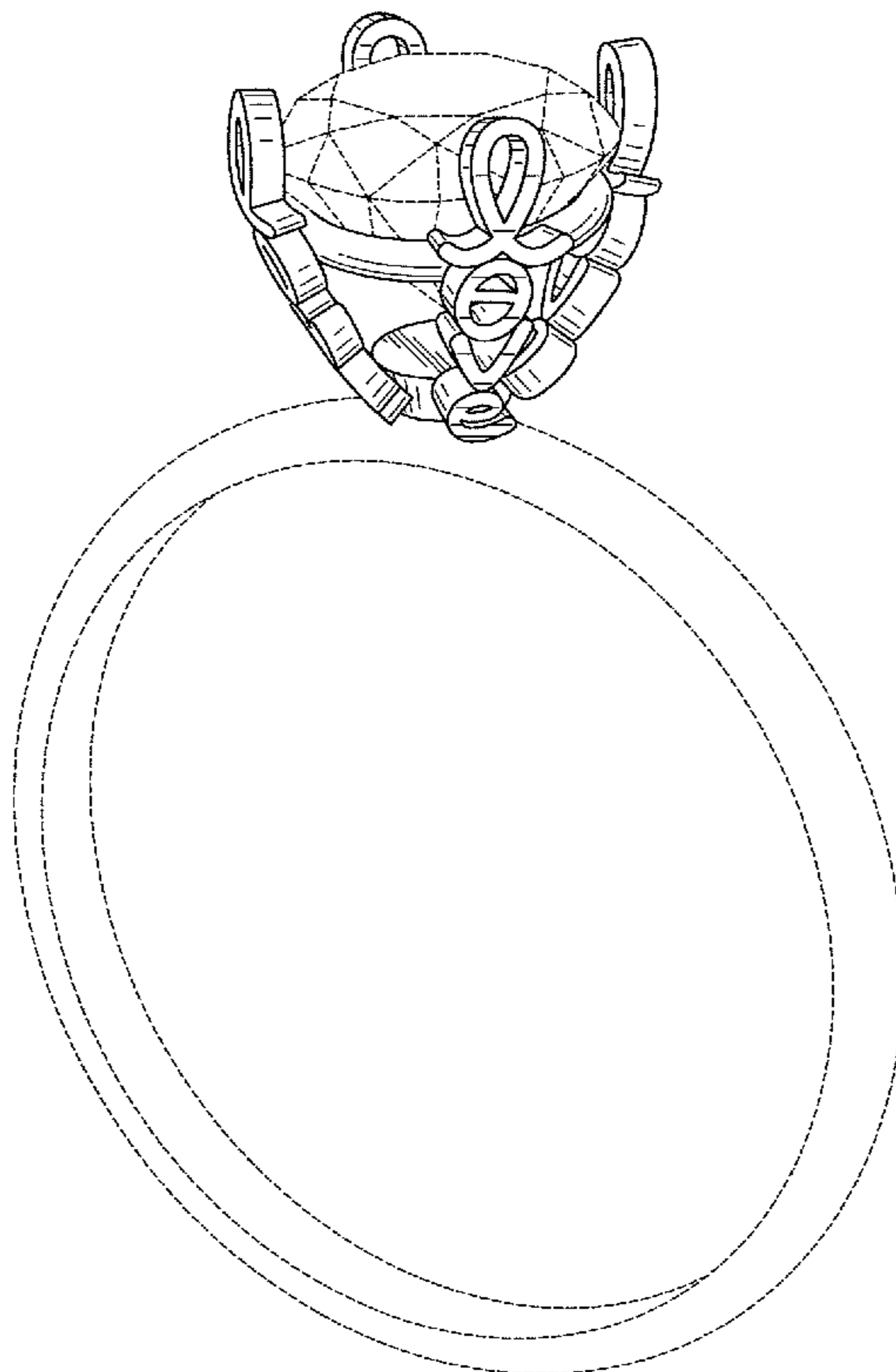
(57) **CLAIM**

The ornamental design for a stone setting for a ring, as shown and described.

**DESCRIPTION**

FIG. 1 is a perspective view of a stone setting for a ring showing my new design;  
FIG. 2 is an elevational side view thereof as seen from an angle of forty-five degrees to the front view of FIG. 3;  
FIG. 3 is an elevational front view thereof; the rear view being a mirror image thereof;  
FIG. 4 is an elevational side view thereof, the opposite side view being a mirror image thereof;  
FIG. 5 is a top plan view thereof; and,  
FIG. 6 is a bottom plan view thereof.  
The broken lines shown in the drawings illustrate the environment of the stone setting for a ring and form no part of the claimed design.

**1 Claim, 3 Drawing Sheets**



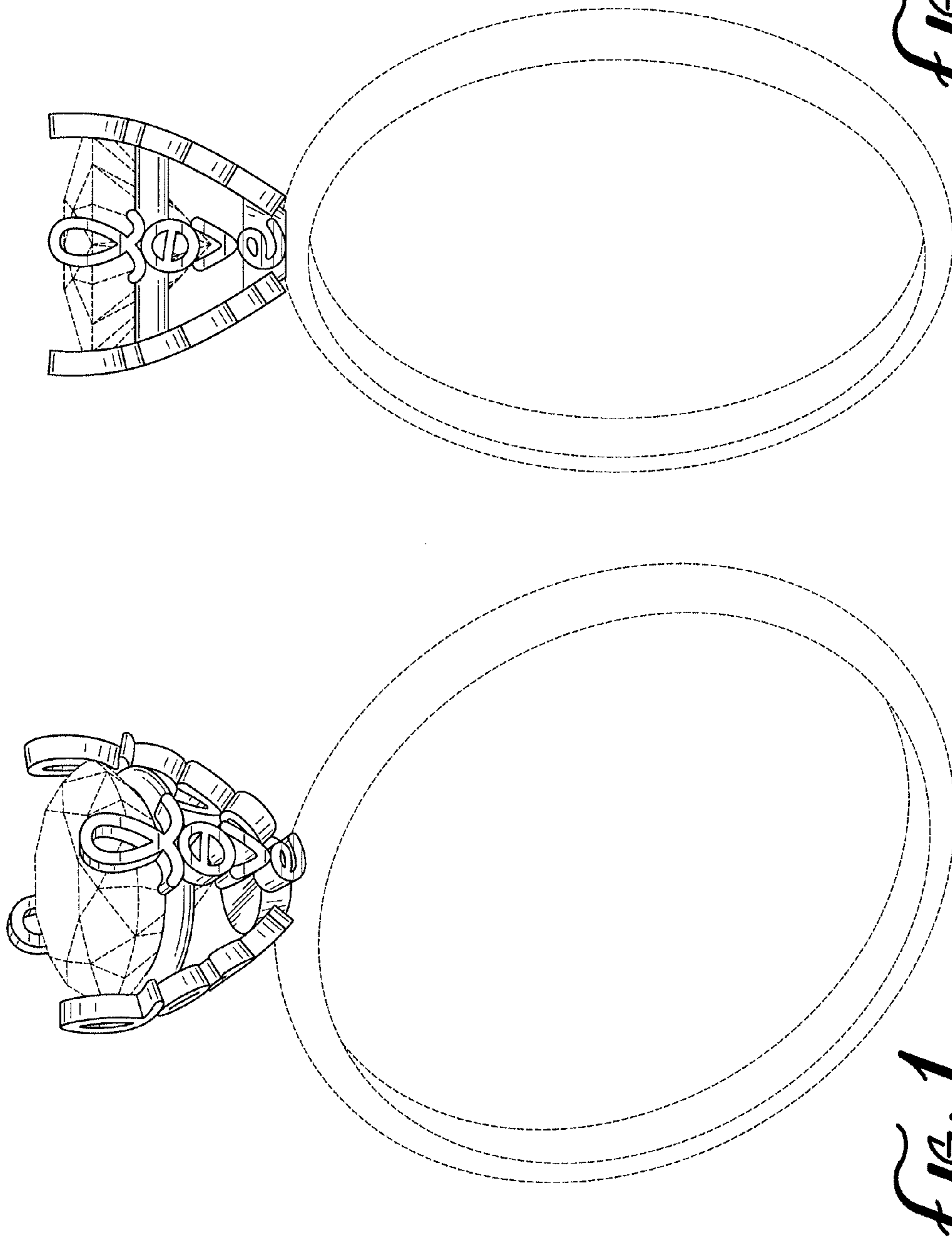
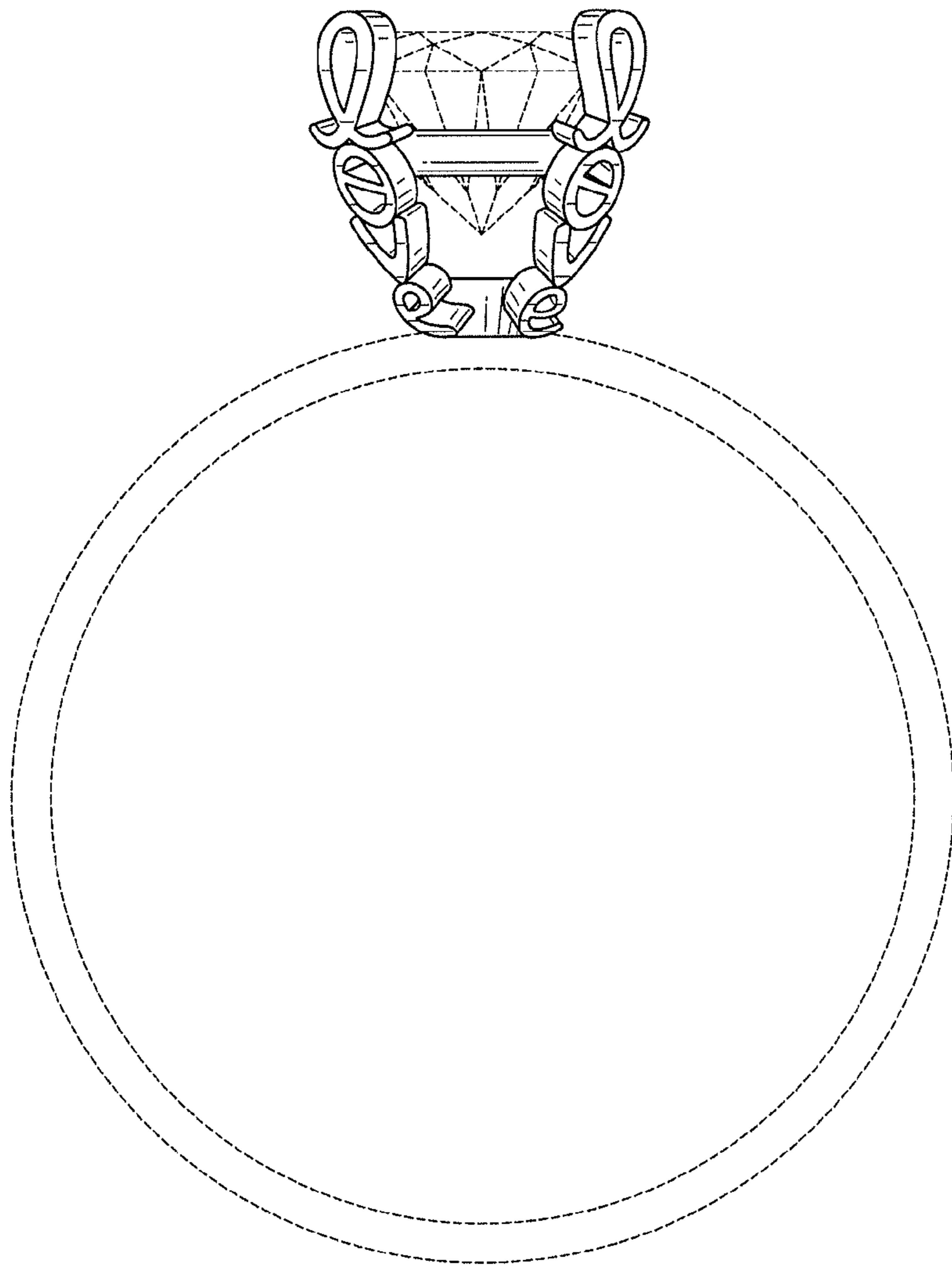
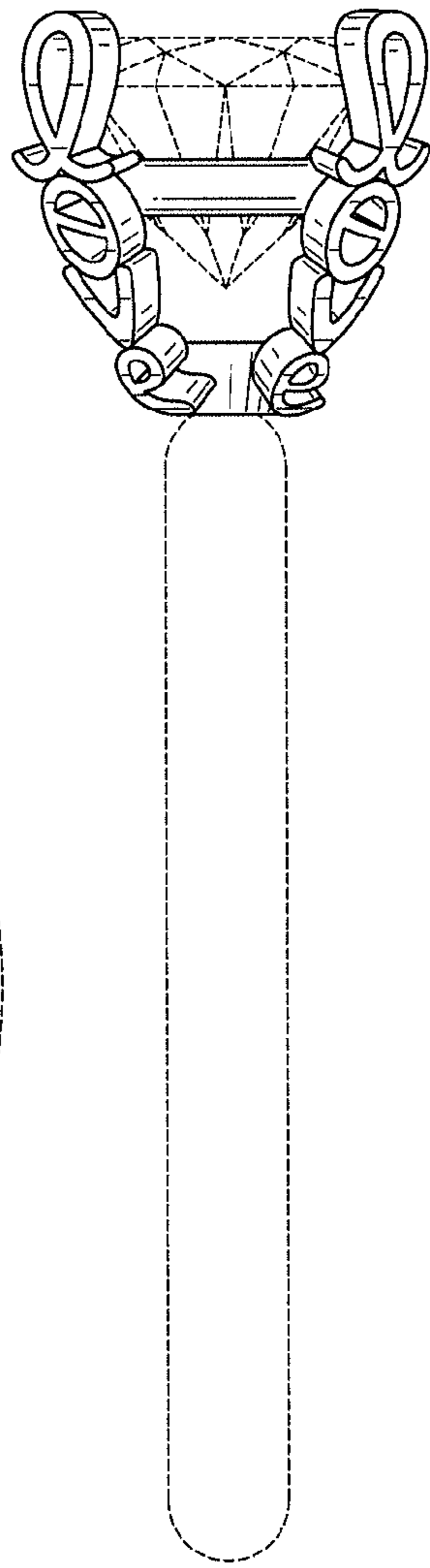


FIG. 2

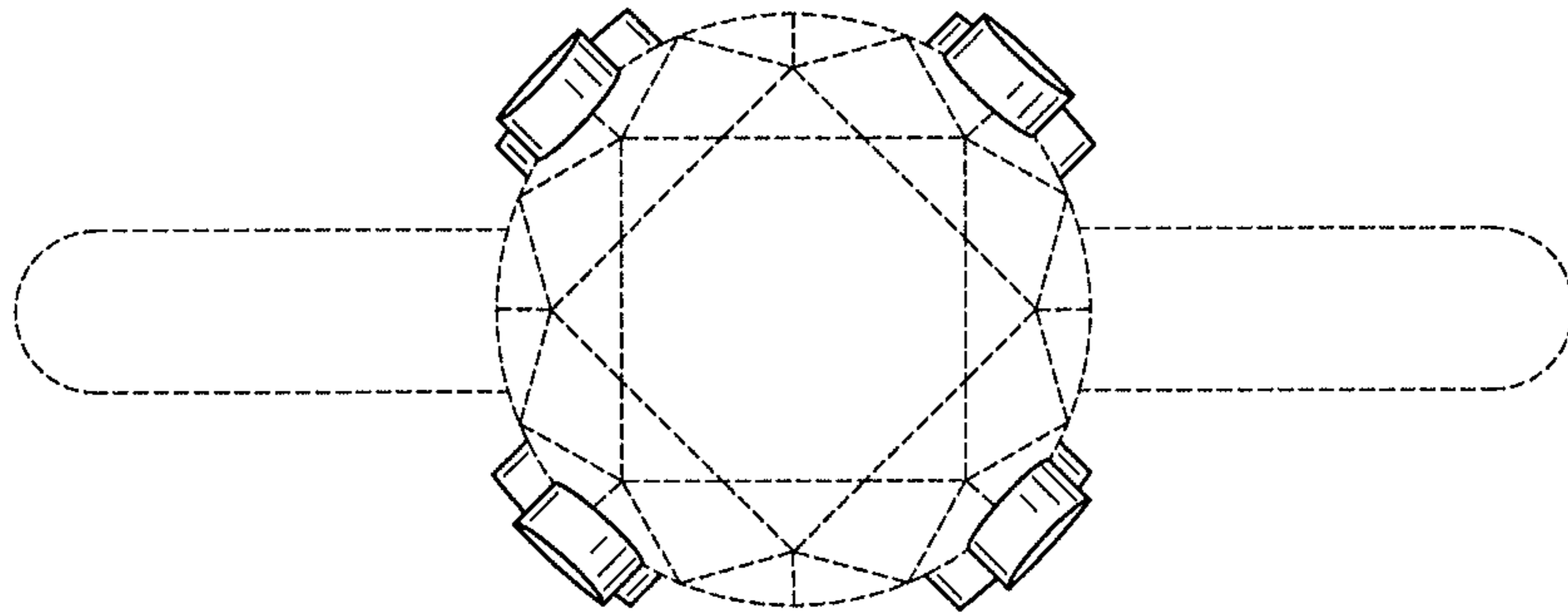
FIG. 1



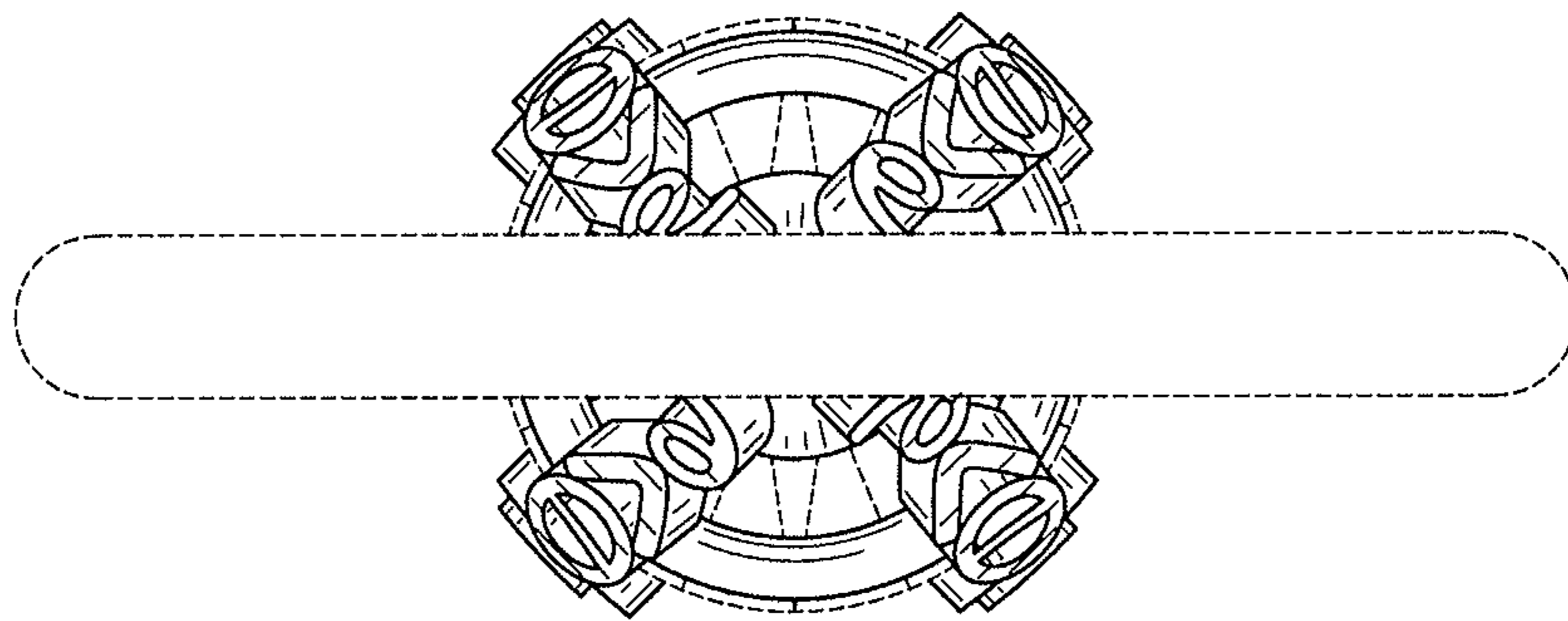
*FIG. 3*



*FIG. 4*



*FIG. 5*



*FIG. 6*