



US00D728410S

(12) **United States Design Patent**
Yatsugi-Kang

(10) **Patent No.:** **US D728,410 S**

(45) **Date of Patent:** **** May 5, 2015**

(54) **EARRING**

D494,495 S * 8/2004 Hardy D11/43
D632,605 S * 2/2011 Marchand D11/43
D688,151 S * 8/2013 LeBail D11/79

(71) Applicant: **Harry Winston SA**, Plan-les-Ouates
(CH)

OTHER PUBLICATIONS

(72) Inventor: **Rie Yatsugi-Kang**, Cresskill, NJ (US)

[Online] http://www.thejewelleryeditor.com/media/270541/mrs_winston_diamond_cascading_drop_earrings.jpg. Retrieved Dec. 7, 2014.*

(73) Assignee: **Harry Winston SA**, Plan-les-Ouates
(CH)

[Online] <http://trends4ever.com/wp-content/uploads/2014/04/long-Chandelier-Earrings-for-girls.jpg>. Retrieved Dec. 7, 2014.*

(**) Term: **14 Years**

[Online] <http://coolspotters.com/files/photos/194907/chopard-asscher-diamond-chandelier-earrings-profile.jpg>. Retrieved Dec. 7, 2014.*

(21) Appl. No.: **29/504,872**

(22) Filed: **Oct. 10, 2014**

* cited by examiner

(30) **Foreign Application Priority Data**

Primary Examiner — Garth Rademaker

Apr. 10, 2014 (WO) DM/083 390

Assistant Examiner — Melanie Pellegrini

(51) **LOC (10) Cl.** **11-01**

(74) *Attorney, Agent, or Firm* — Donald J. Ranft; Kristen A. Mogavero; Colleen IP

(52) **U.S. Cl.**
USPC **D11/43**

(57) **CLAIM**

(58) **Field of Classification Search**
USPC D11/1, 2, 40–48, 79, 80, 81, 86, 87, 88,
D11/91, 92, 96, 84, 63, 67; 63/12, 13, 1.11,
63/1.16, 26, 27, 28, 29.1, 29.2, 35, 40
See application file for complete search history.

The ornamental design for an earring, as shown.

DESCRIPTION

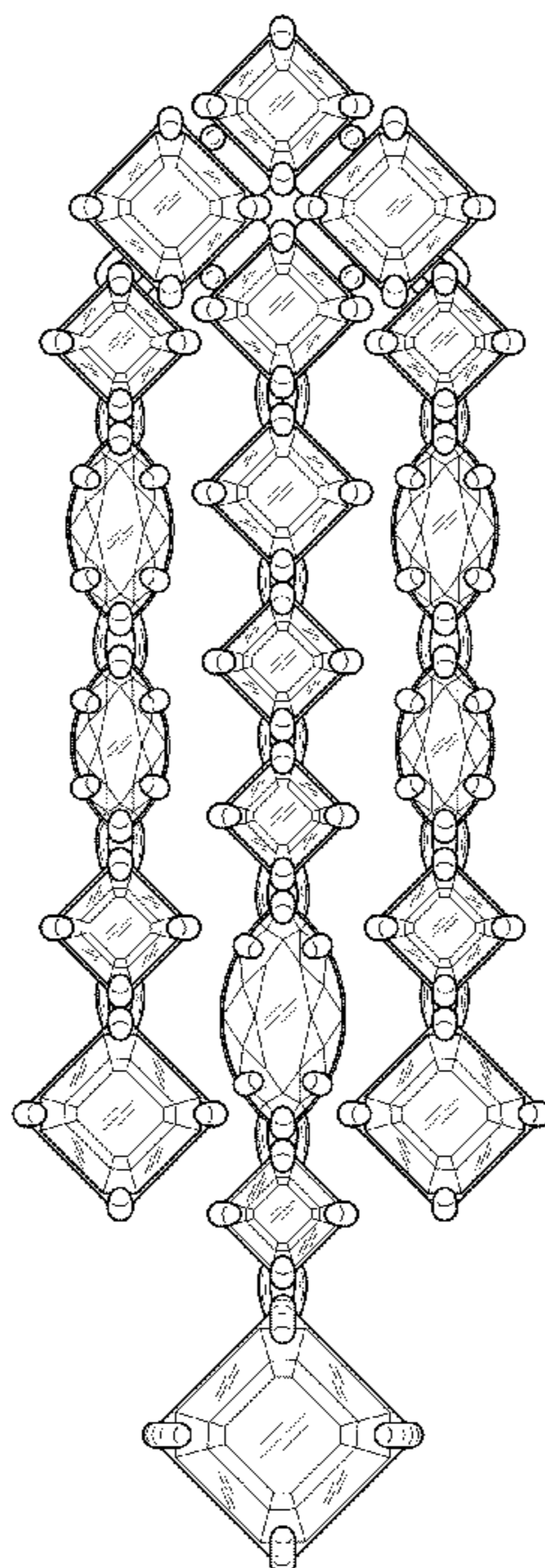
(56) **References Cited**

U.S. PATENT DOCUMENTS

D279,879 S * 7/1985 Moon D11/43
D279,880 S * 7/1985 Moon D11/43
D287,577 S * 1/1987 Lorberfeld D11/43
D308,652 S * 6/1990 Bulgari D11/43
D326,429 S * 5/1992 Azrielant D11/43
D485,779 S * 1/2004 Steckbeck D11/7

FIG. 1 is a front right perspective view of an earring showing my new design;
FIG. 2 is a front view thereof;
FIG. 3 is a rear view thereof;
FIG. 4 is a left side view thereof;
FIG. 5 is a right side view thereof;
FIG. 6 is a top view thereof;
FIG. 7 is a bottom view thereof; and,
FIG. 8 is a rear right perspective view thereof.

1 Claim, 6 Drawing Sheets



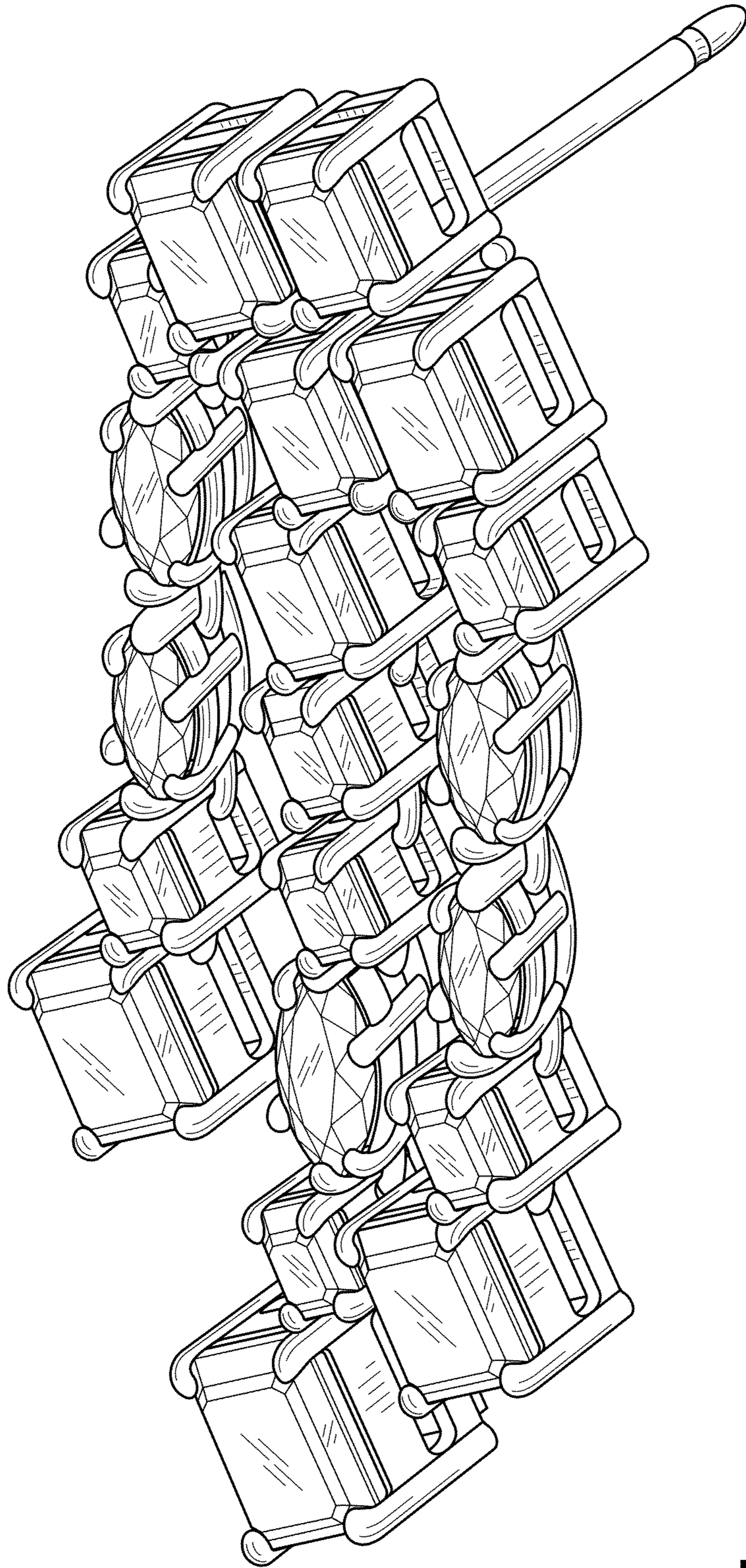


FIG. 1

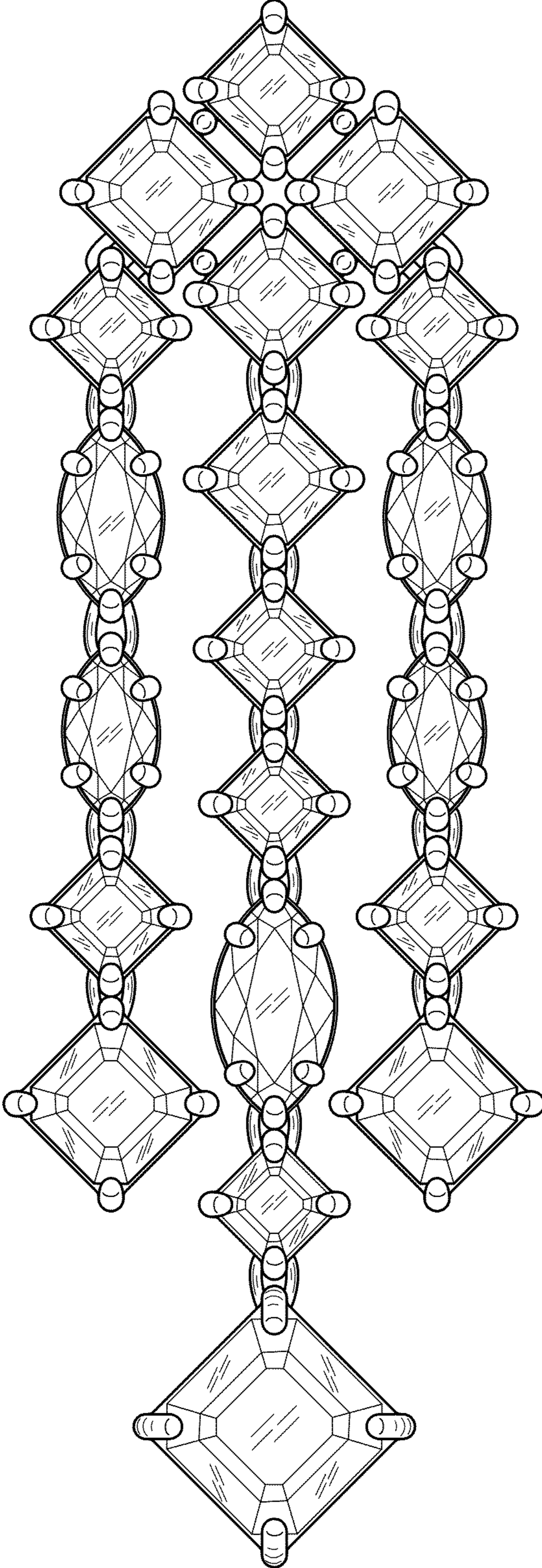


FIG. 2

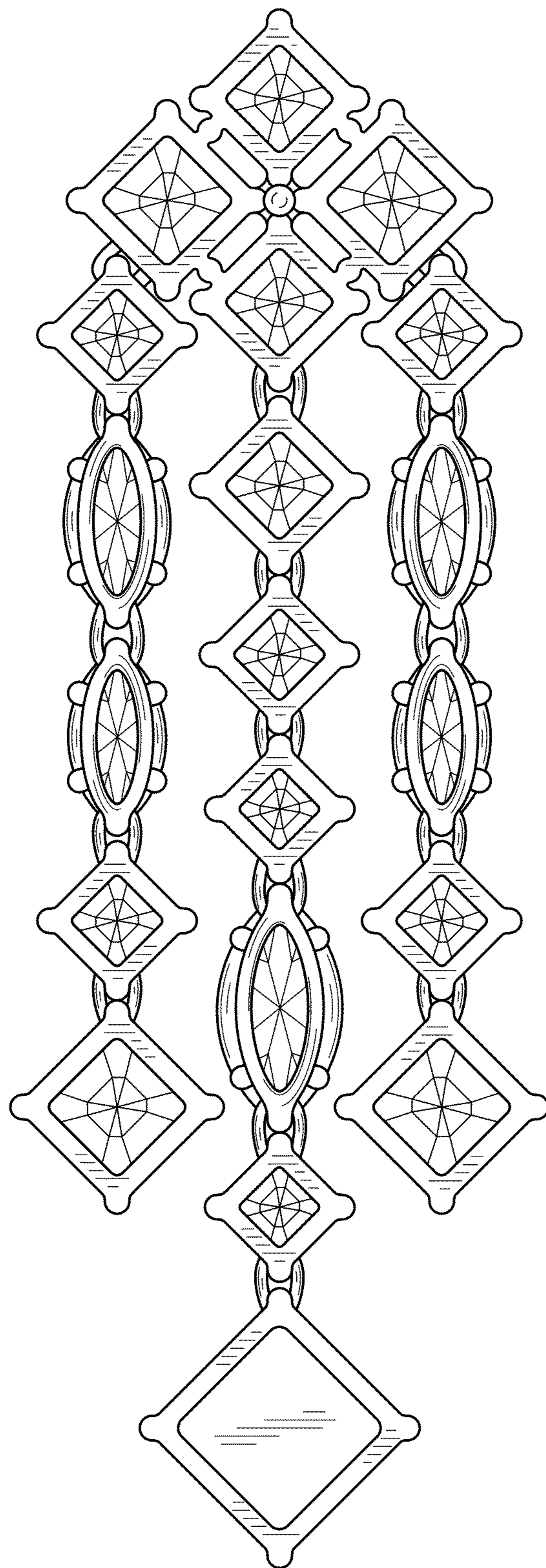


FIG. 3

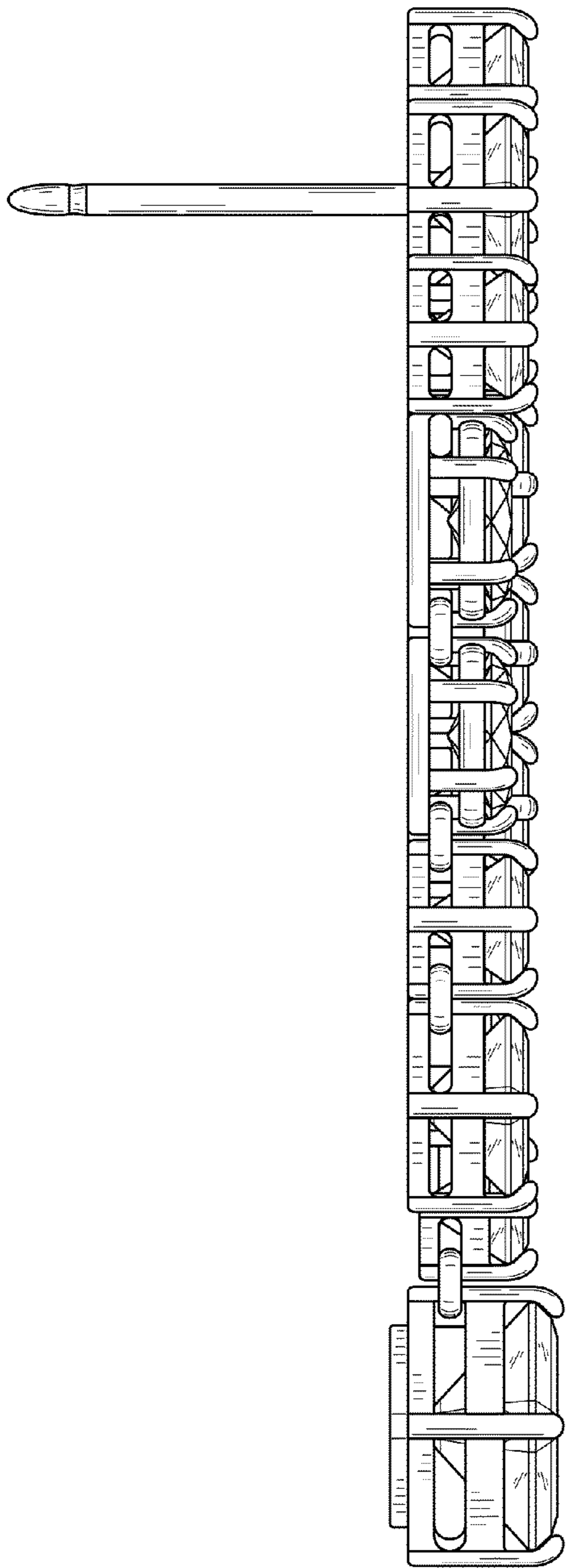


FIG. 4

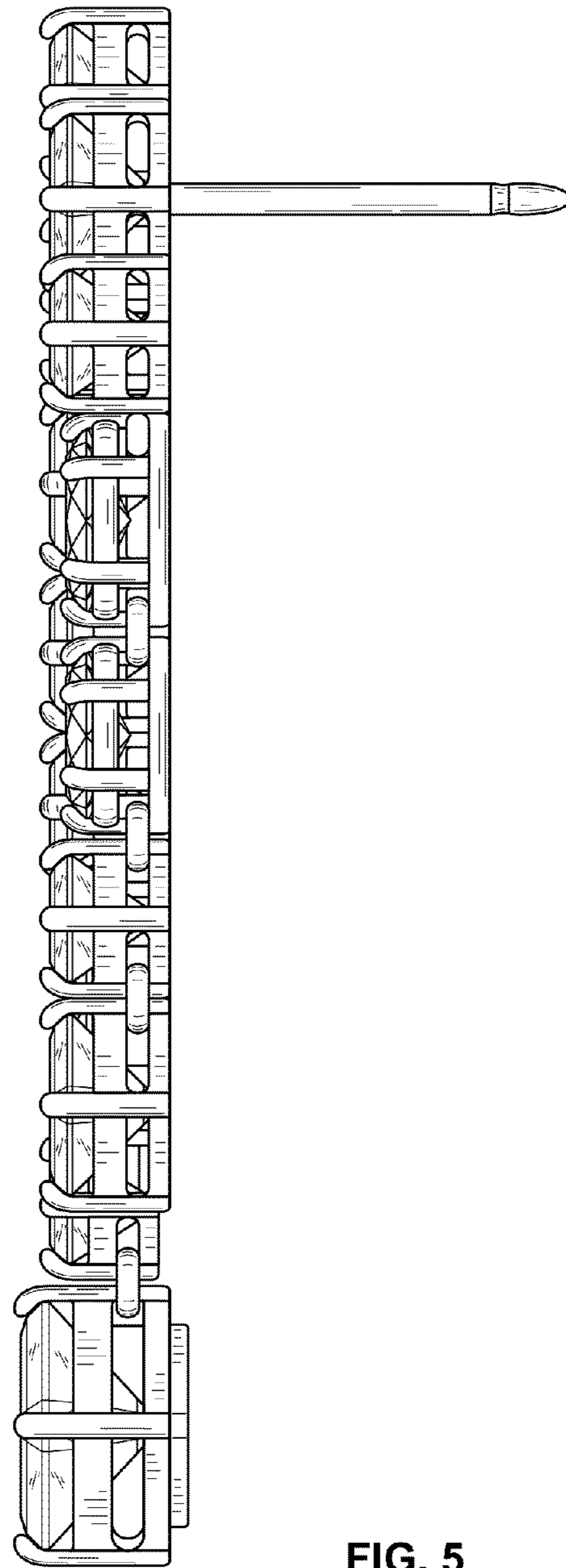


FIG. 5

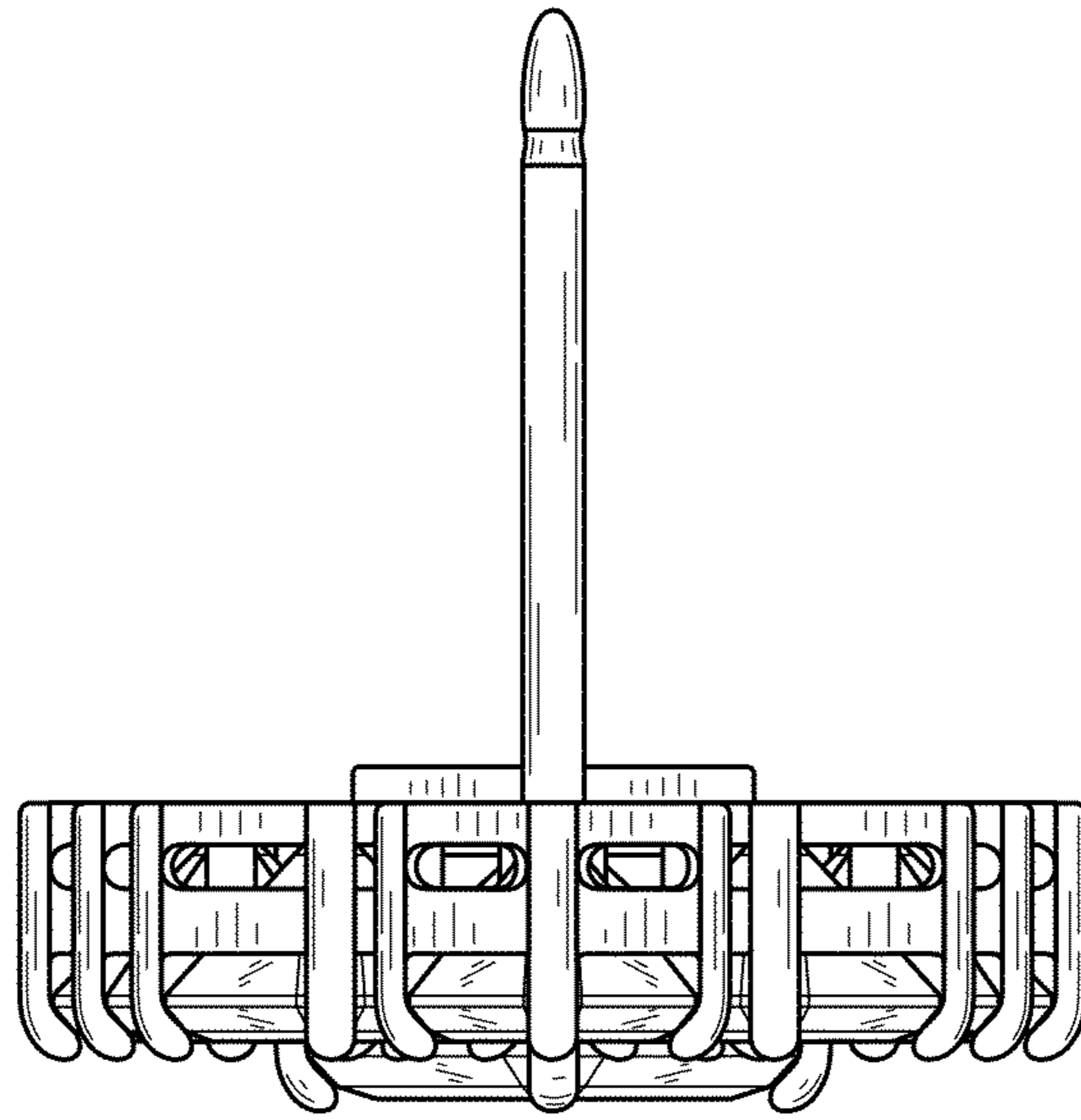


FIG. 6

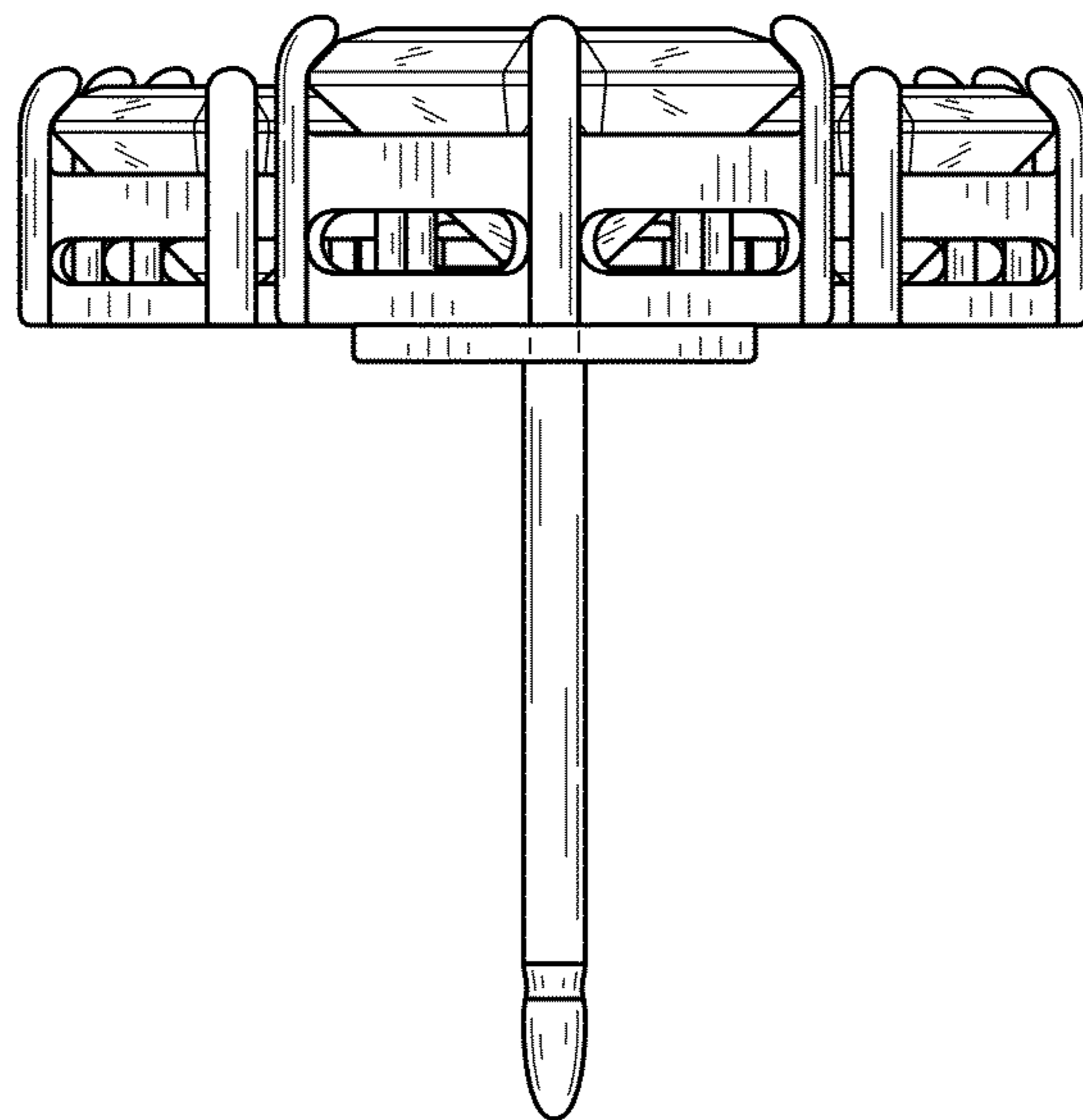


FIG. 7

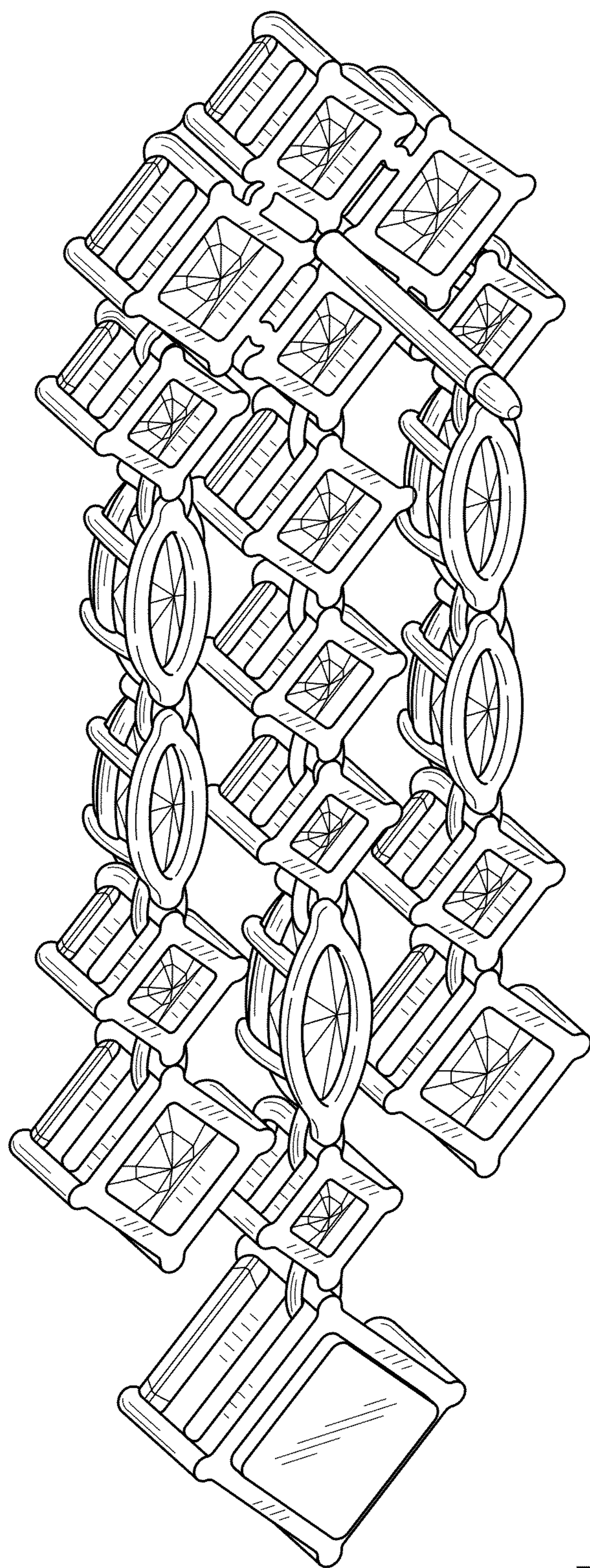


FIG. 8