

US00D728401S

(12) **United States Design Patent**
Schulz et al.

(10) **Patent No.:** **US D728,401 S**
(45) **Date of Patent:** **** May 5, 2015**

(54) **HOUSING FOR A MATERIAL TESTING MACHINE**

D691,501 S 10/2013 Schulz
8,763,470 B2 * 7/2014 Abelev et al. 73/841
2005/0011275 A1 1/2005 Ferguson et al.
2007/0107534 A1 5/2007 Lemmer et al.
2008/0223145 A1 9/2008 Merendino
2009/0199663 A1 8/2009 Kaneda

(71) Applicant: **MTS Systems Corporation**, Eden Prairie, MN (US)

(72) Inventors: **Bradley D. Schulz**, Savage, MN (US); **Paul M. Krueger**, Maple Grove, MN (US); **Mark W. Schulz**, Minneapolis, MN (US); **Serge Dubeau**, Plymouth, MN (US)

(73) Assignee: **MTS Systems Corporation**, Eden Prairie, MN (US)

(**) Term: **14 Years**

(21) Appl. No.: **29/465,727**

(22) Filed: **Aug. 30, 2013**

Related U.S. Application Data

(62) Division of application No. 29/422,376, filed on May 18, 2012, now Pat. No. Des. 691,501.

(51) **LOC (10) Cl.** **10-04**

(52) **U.S. Cl.**
USPC **D10/83**

(58) **Field of Classification Search**
USPC D10/83; D15/122; 73/760-860,
73/862-862.382, 866
See application file for complete search history.

(56) **References Cited**

U.S. PATENT DOCUMENTS

D250,514 S 12/1978 Etchison
D283,599 S 4/1986 Biddle et al.
D351,809 S 10/1994 Nunes
D394,015 S 5/1998 Kellstedt, Jr. et al.
5,939,642 A 8/1999 King et al.
8,001,845 B2 8/2011 Caulfield et al.

OTHER PUBLICATIONS

Bose, Testing and Characterization Capabilities for Engineered Materials, copyright 2010.

(Continued)

Primary Examiner — Antoine D Davis

(74) *Attorney, Agent, or Firm* — Steven M. Koehler; Westman, Champlin & Koehler, P.A.

(57) **CLAIM**

The ornamental design for a housing for a material testing machine, as shown and described.

DESCRIPTION

FIG. 1 is a perspective view of a third embodiment of the housing for a material testing machine.

FIG. 2 is perspective view of the housing for a material testing machine illustrated in FIG. 1.

FIG. 3 is a front view of the housing for a material testing machine illustrated in FIG. 1.

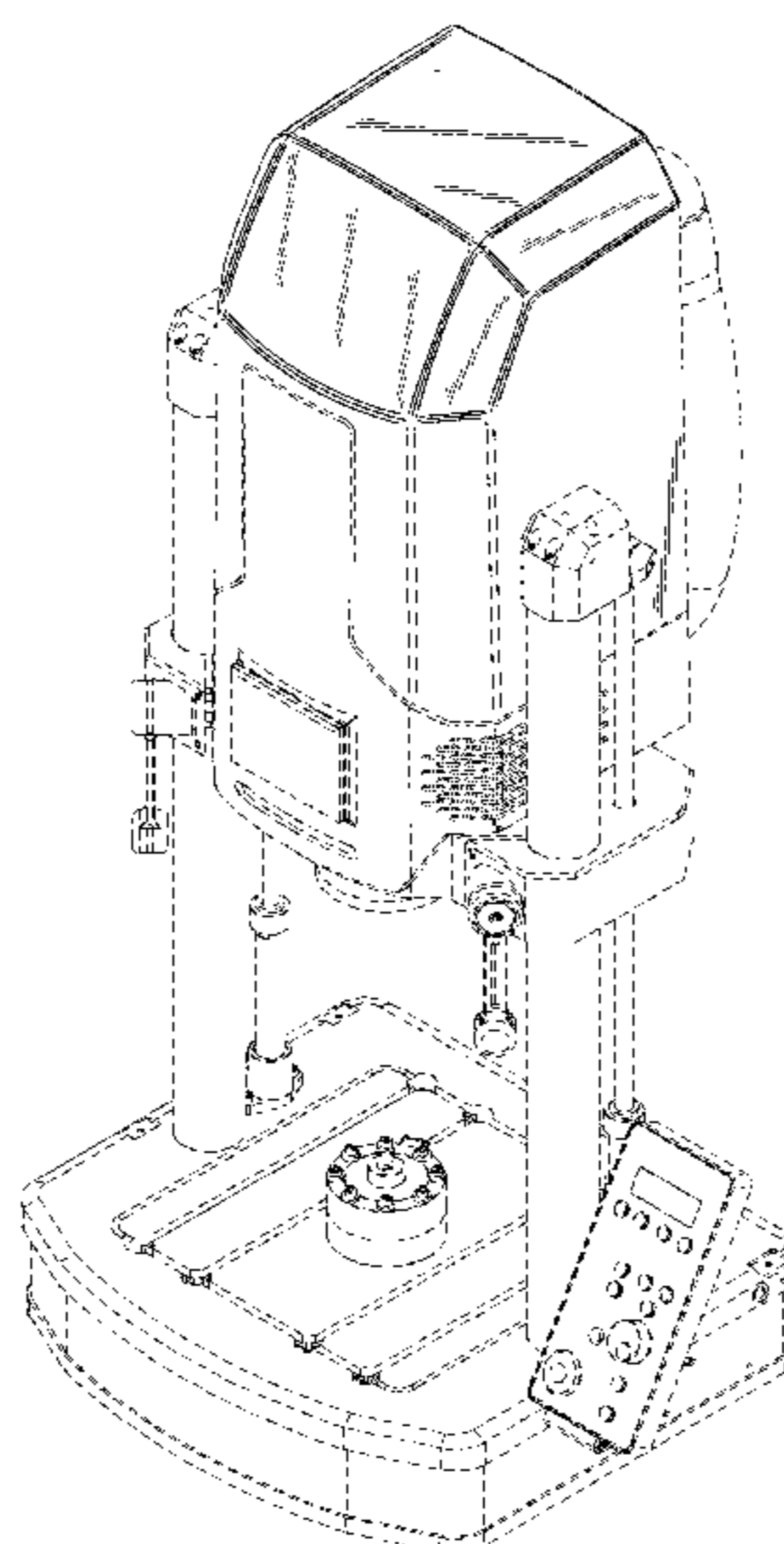
FIG. 4 is a rear view of the housing for a material testing machine illustrated in FIG. 1.

FIG. 5 is a left side view of the housing for a material testing machine illustrated in FIG. 1; and,

FIG. 6 is a right side view of the housing for a material testing machine illustrated in FIG. 1.

The bottom views of each embodiment are not claimed. The dashed or dotted lines form no part of the claimed design. The surfaces indicated as black represent a color of dark gray in FIGS. 22-23 and 25-26. The surfaces indicated with hatching in FIGS. 28-29, 31-32, 34-35 and 37-39 are intended not to depict a certain color, but rather represent any color is present.

1 Claim, 3 Drawing Sheets



(56)

References Cited

OTHER PUBLICATIONS

Instron, ElectroPuls™, All Electric Dynamic Test Systems, copyright 2009.

Instron, Industrial Series KPX Models, copyright 2011.

Instron, Industrial Series KX Models, copyright 2012.

Bose, ElectroForce® Test Instruments, copyright 2012.

ElectroForce®, 3100 Test Instrument, Performance and Durability in a Compact Package, copyright 2012.

* cited by examiner

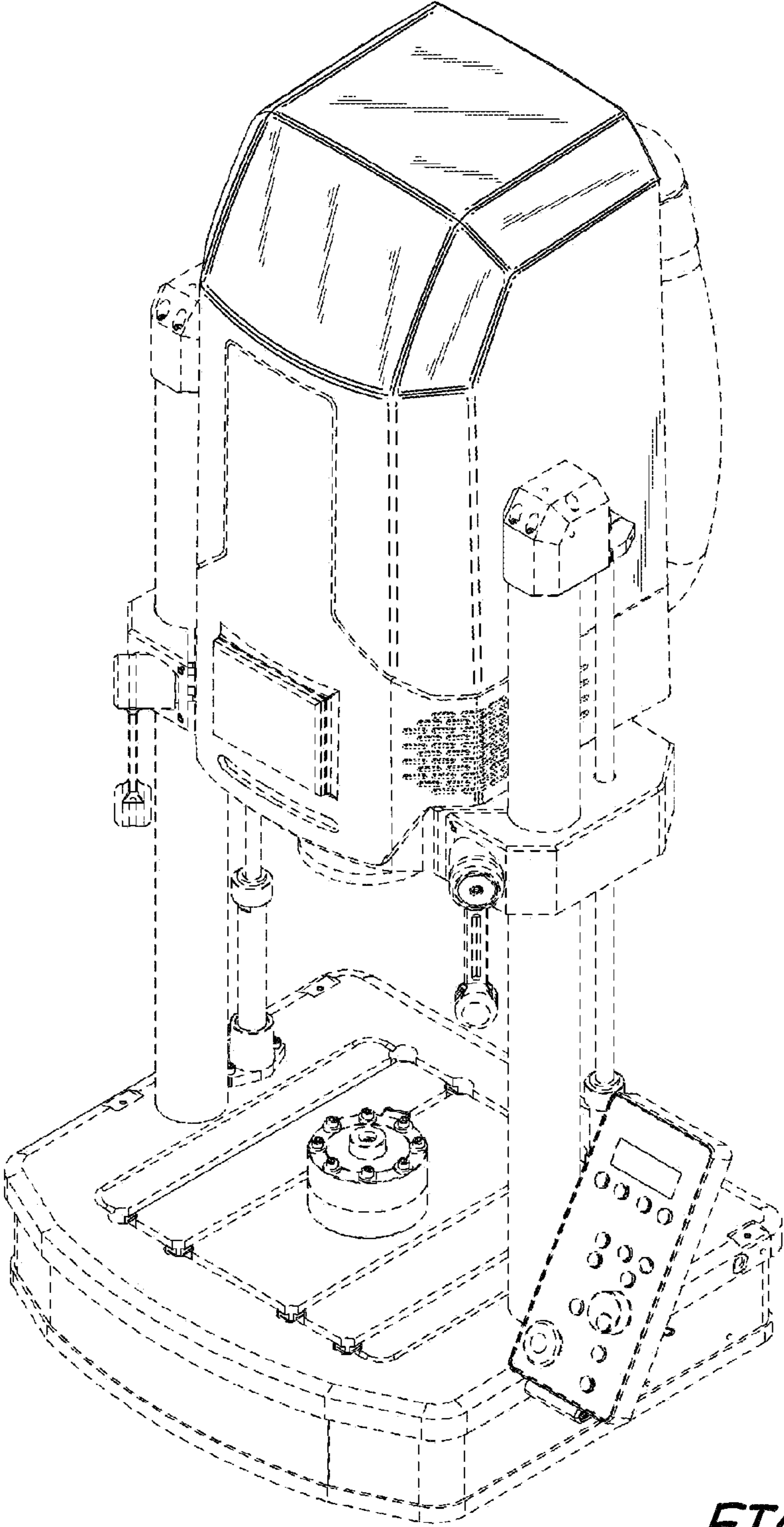


FIG. 1

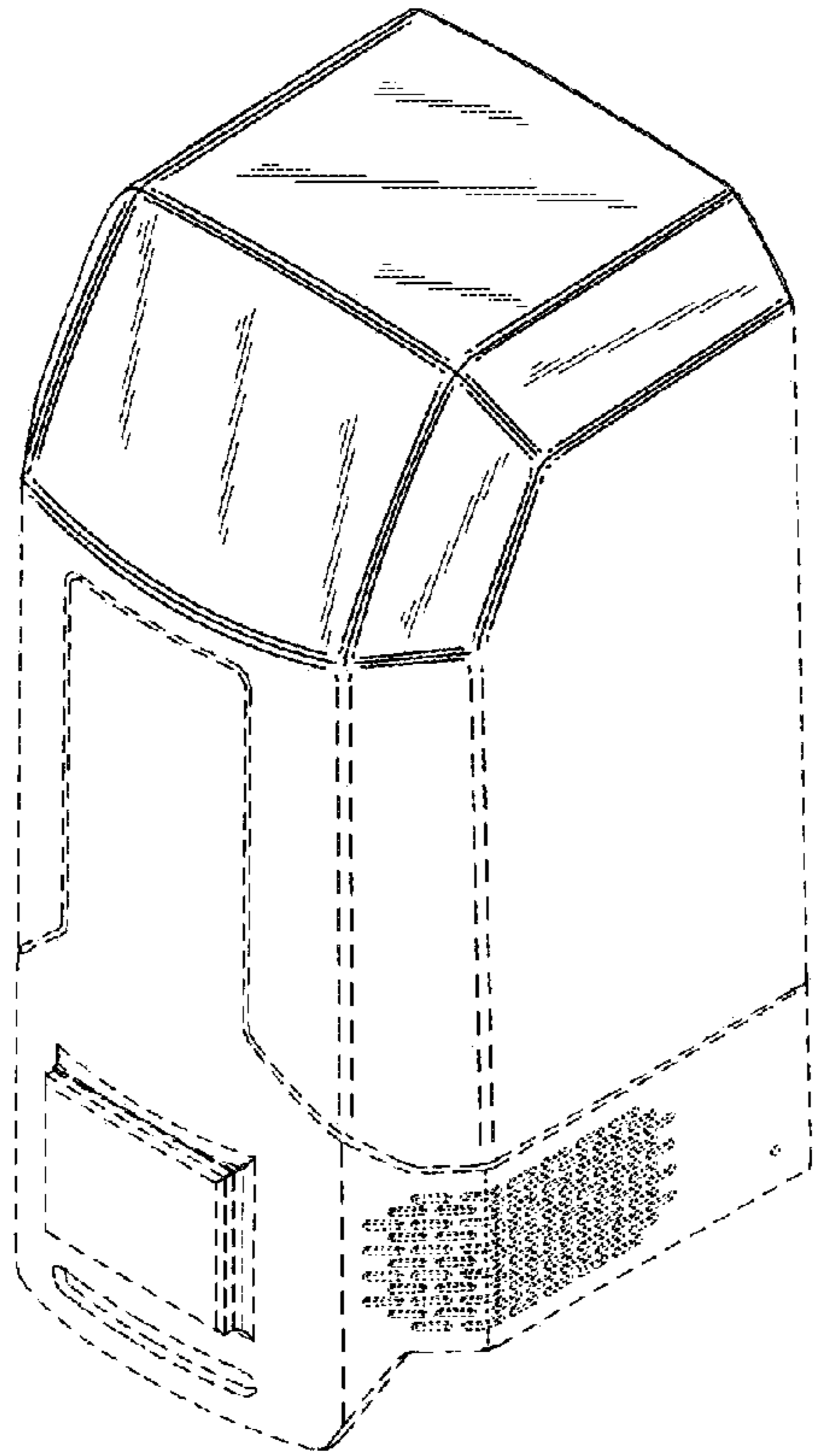


FIG. 2

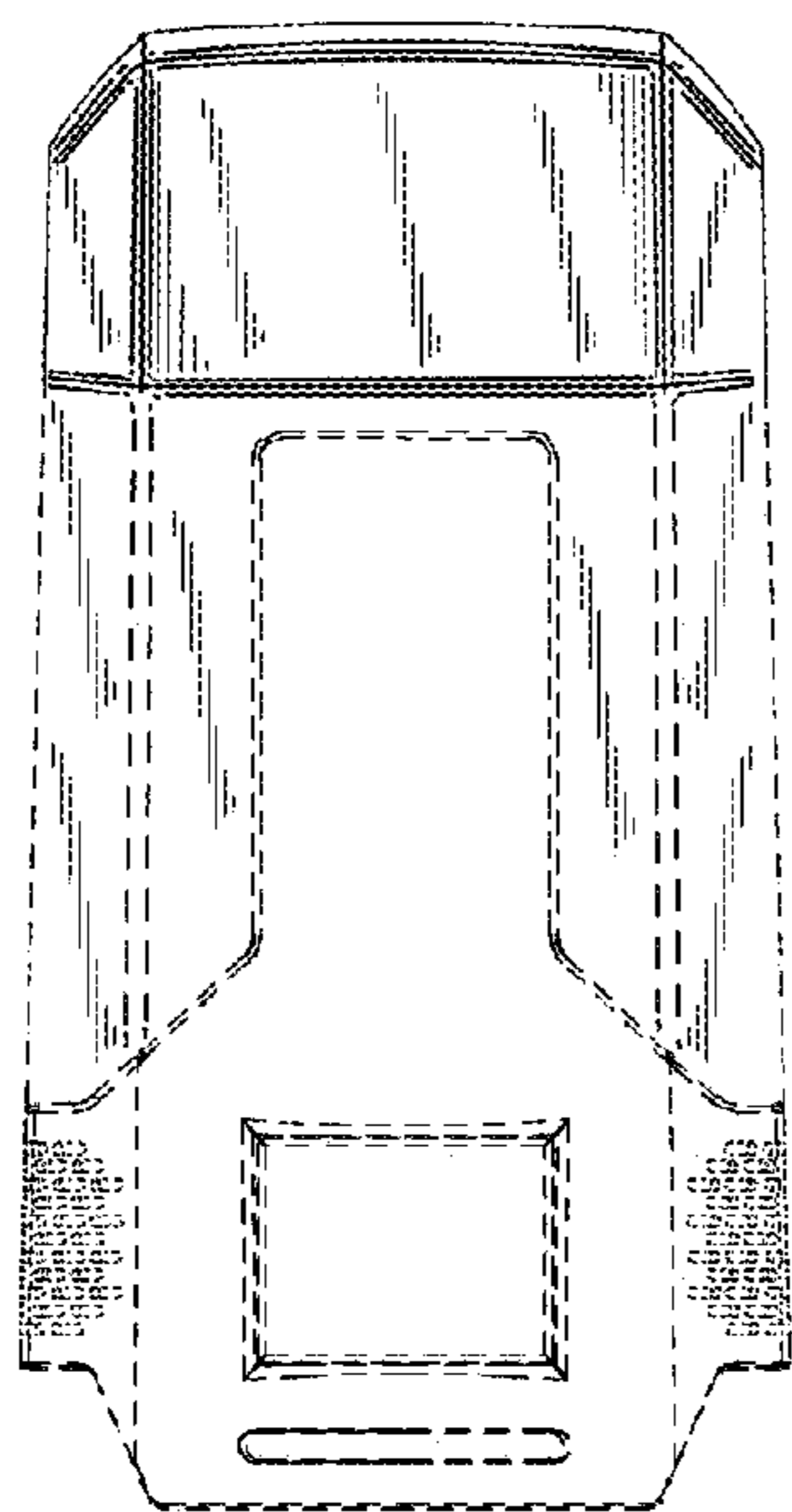


FIG. 3

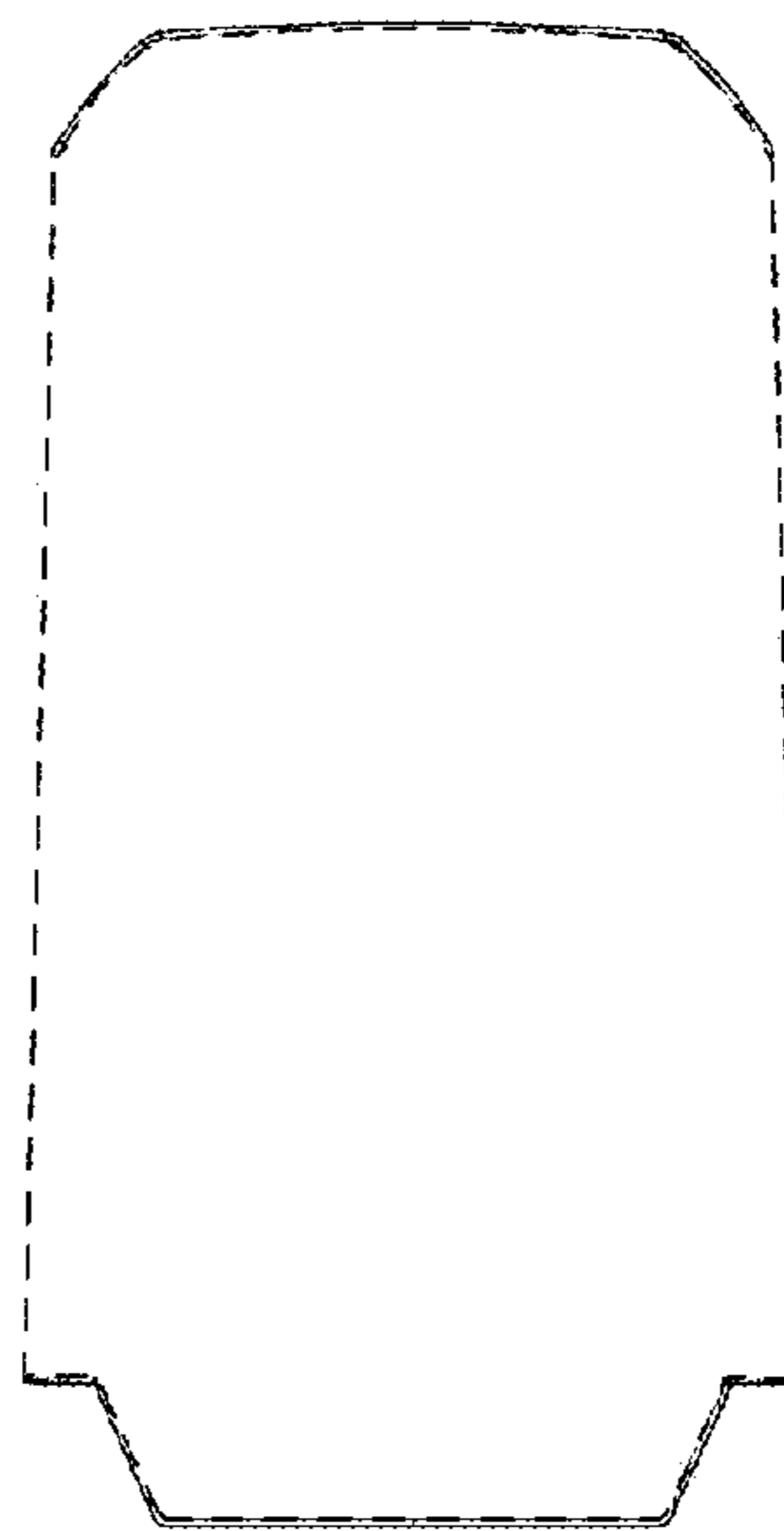


FIG. 4

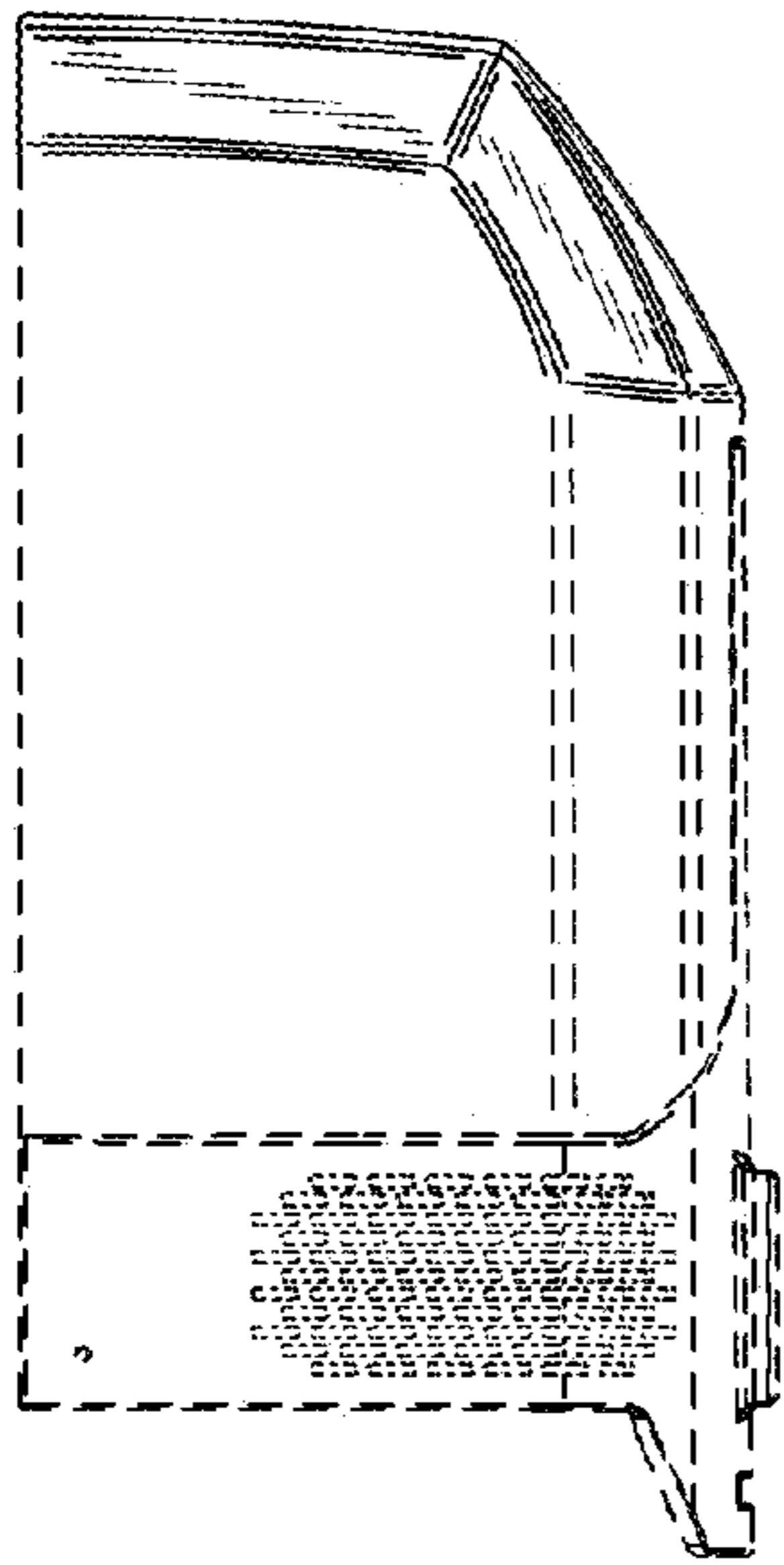


FIG. 5

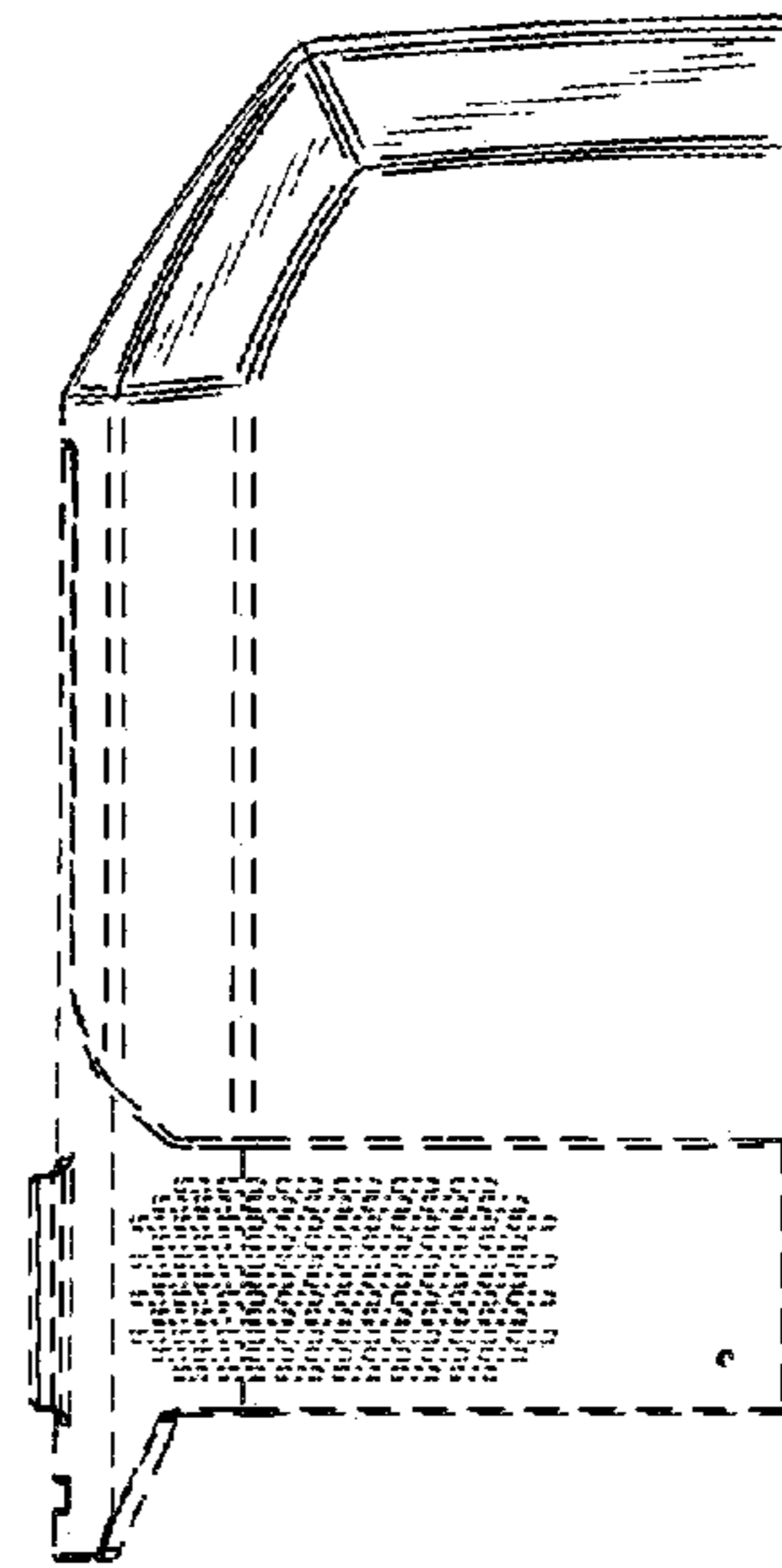


FIG. 6

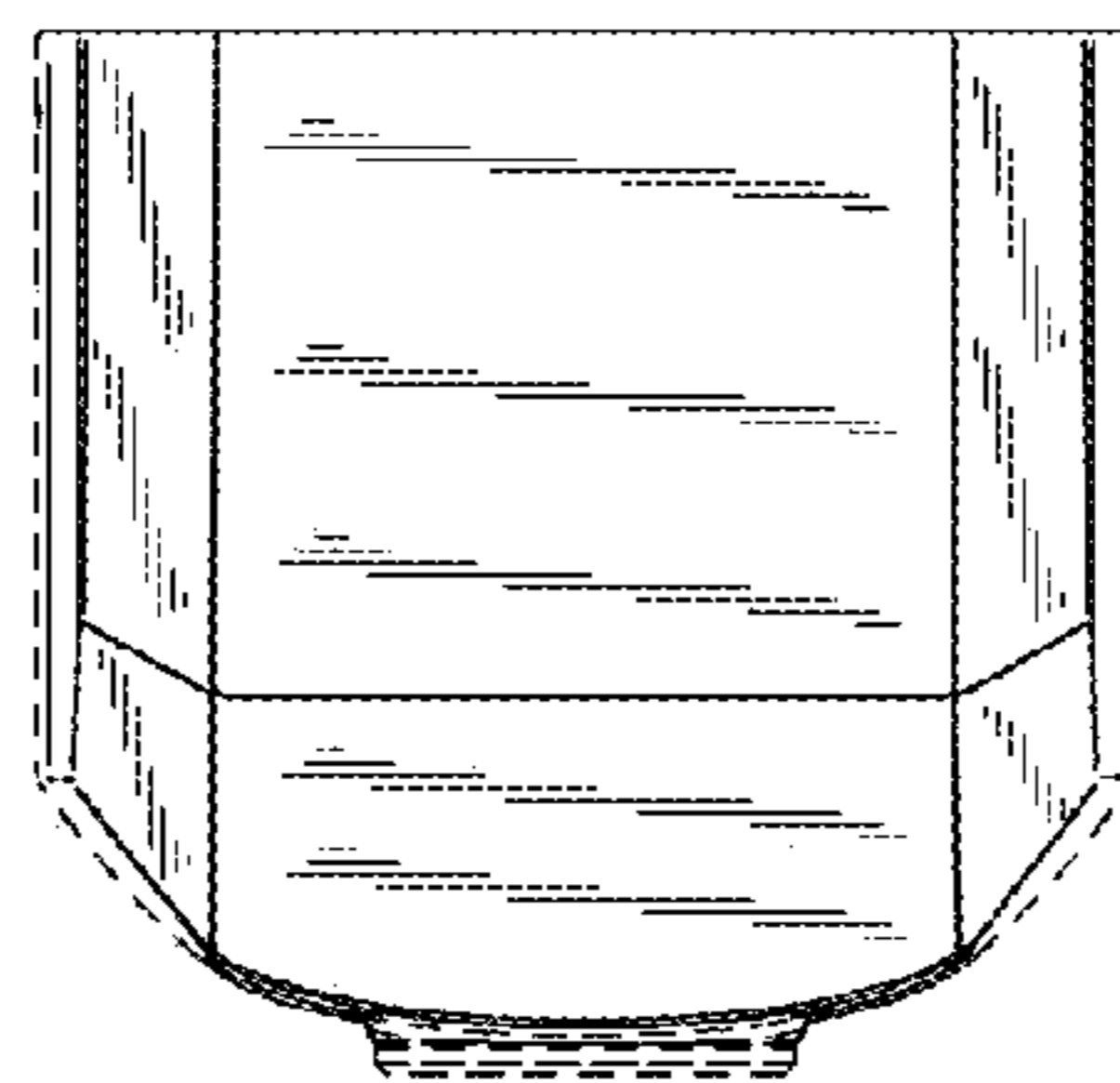


FIG. 7