



US00D728400S

(12) **United States Design Patent**  
**McLaughlin et al.**

(10) **Patent No.:** **US D728,400 S**  
(45) **Date of Patent:** **\*\* May 5, 2015**

(54) **PORTABLE ANALYTICAL INSTRUMENT**  
(71) Applicant: **Thermo Scientific Portable Analytical Instruments Inc.**, Tewksbury, MA (US)  
(72) Inventors: **Stephen McLaughlin**, Andover, MA (US); **Neil Hagerty**, Westford, MA (US); **Aaron Abroff**, Acton, MA (US)

(73) Assignee: **Thermo Scientific Portable Analytical Instruments Inc.**, Tewksbury, MA (US)

(\*\*) Term: **14 Years**

(21) Appl. No.: **29/489,757**

(22) Filed: **May 2, 2014**

(51) **LOC (10) Cl.** ..... **10-04**

(52) **U.S. Cl.**  
USPC ..... **D10/81; D10/78**

(58) **Field of Classification Search**  
CPC ..... A61B 5/1495; A61B 5/15126; A61B 5/7475; A61B 5/002; A61B 5/14514; A61B 5/145; A61B 5/151; A61B 5/157; A61B 5/1411; A61B 5/14532; A61B 10/0096; A61B 2010/008; G06F 19/3406; G06F 19/3418; G01N 33/4876  
USPC ..... D10/78, 81; D24/107, 186, 232; 324/72.5, 110, 114, 115, 149, 151 A, 324/158 F, 156; 340/653, 660; 439/482; 422/63-83, 99, 100, 58, 61, 82.05; 423/43; 436/164, 166, 169, 605; 356/246

See application file for complete search history.

(56) **References Cited**

**U.S. PATENT DOCUMENTS**

D528,933 S \* 9/2006 Hunter et al. .... D10/78  
D553,029 S \* 10/2007 Chang ..... D10/78

7,794,658 B2 \* 9/2010 Kermani et al. .... 422/82.01  
D651,925 S \* 1/2012 Faulkner et al. .... D10/81  
D684,490 S \* 6/2013 Nelson et al. .... D10/78  
D684,491 S \* 6/2013 Confield et al. .... D10/81  
D694,141 S \* 11/2013 Lienenkamp ..... D10/78  
8,636,672 B2 \* 1/2014 Neel et al. .... 600/583  
8,760,297 B2 \* 6/2014 Goodnow et al. .... 340/572.8  
D711,263 S \* 8/2014 Elrod ..... D10/78

\* cited by examiner

*Primary Examiner* — Antoine D Davis

(74) *Attorney, Agent, or Firm* — Ion C. Abraham

(57) **CLAIM**

The ornamental design for a portable analytical instrument, substantially as shown.

**DESCRIPTION**

This invention was made with government support under Contract Number N00174-13- C-0032, Contract Name: Naval Explosive Ordnance Disposal Technology Division (NAVEODTECHDIV), task Order TI 69. The government has certain rights in this invention.

FIG. 1 is a front perspective view of the portable analytical instrument;

FIG. 2 is a rear perspective view of the portable analytical instrument;

FIG. 3 is a front view of the portable analytical instrument;

FIG. 4 is a rear view of the portable analytical instrument;

FIG. 5 is a side view of the portable analytical instrument;

FIG. 6 is a side view of the portable analytical instrument;

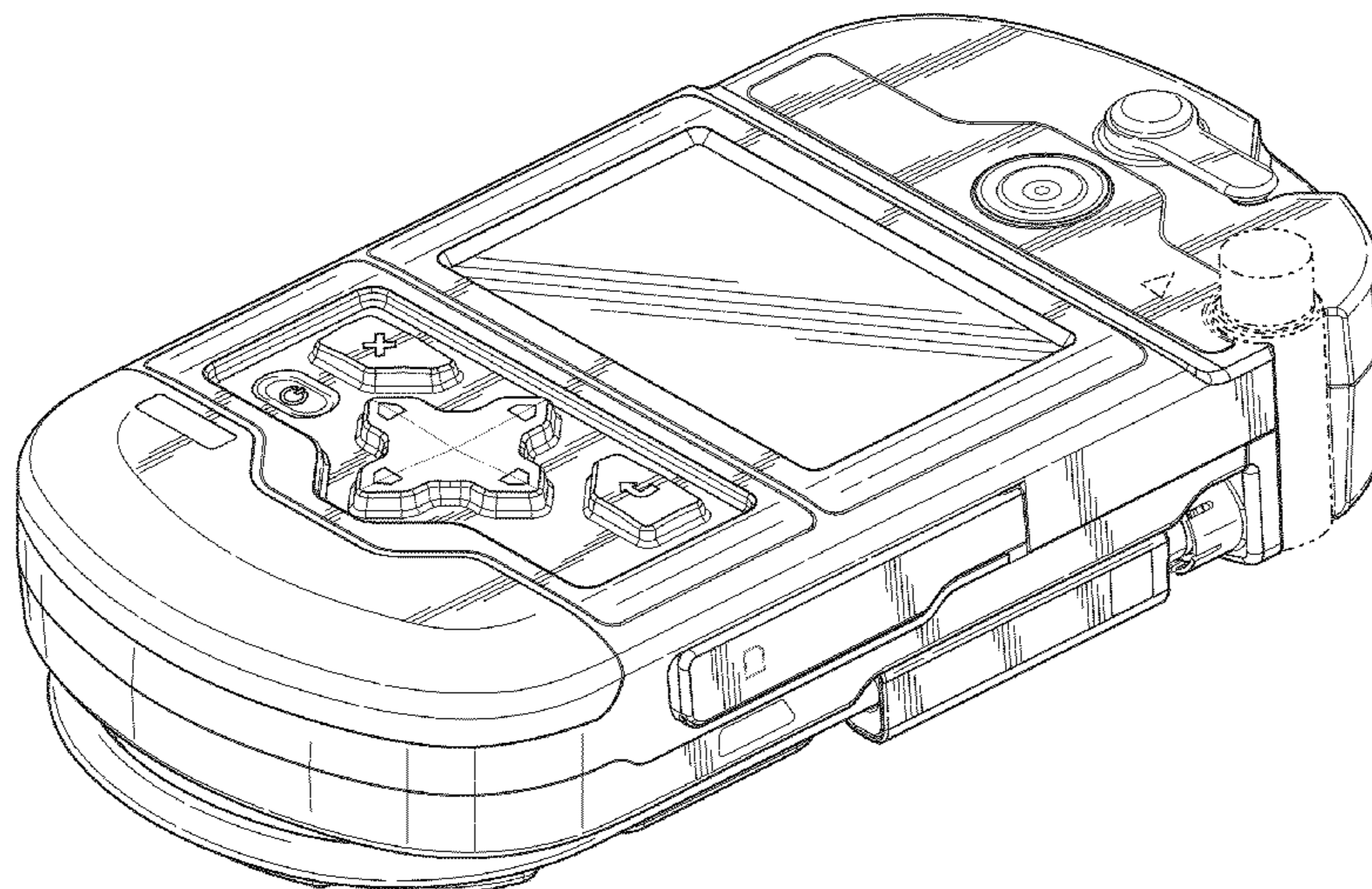
FIG. 7 is a top view of the portable analytical instrument;

FIG. 8 is a bottom view of a portable analytical instrument;

FIG. 9 is a front view of the portable analytical instrument showing a movable anvil in a first alternative position; and,

FIG. 10 is a front view of the portable analytical instrument showing a movable anvil in a second alternative position.

**1 Claim, 8 Drawing Sheets**





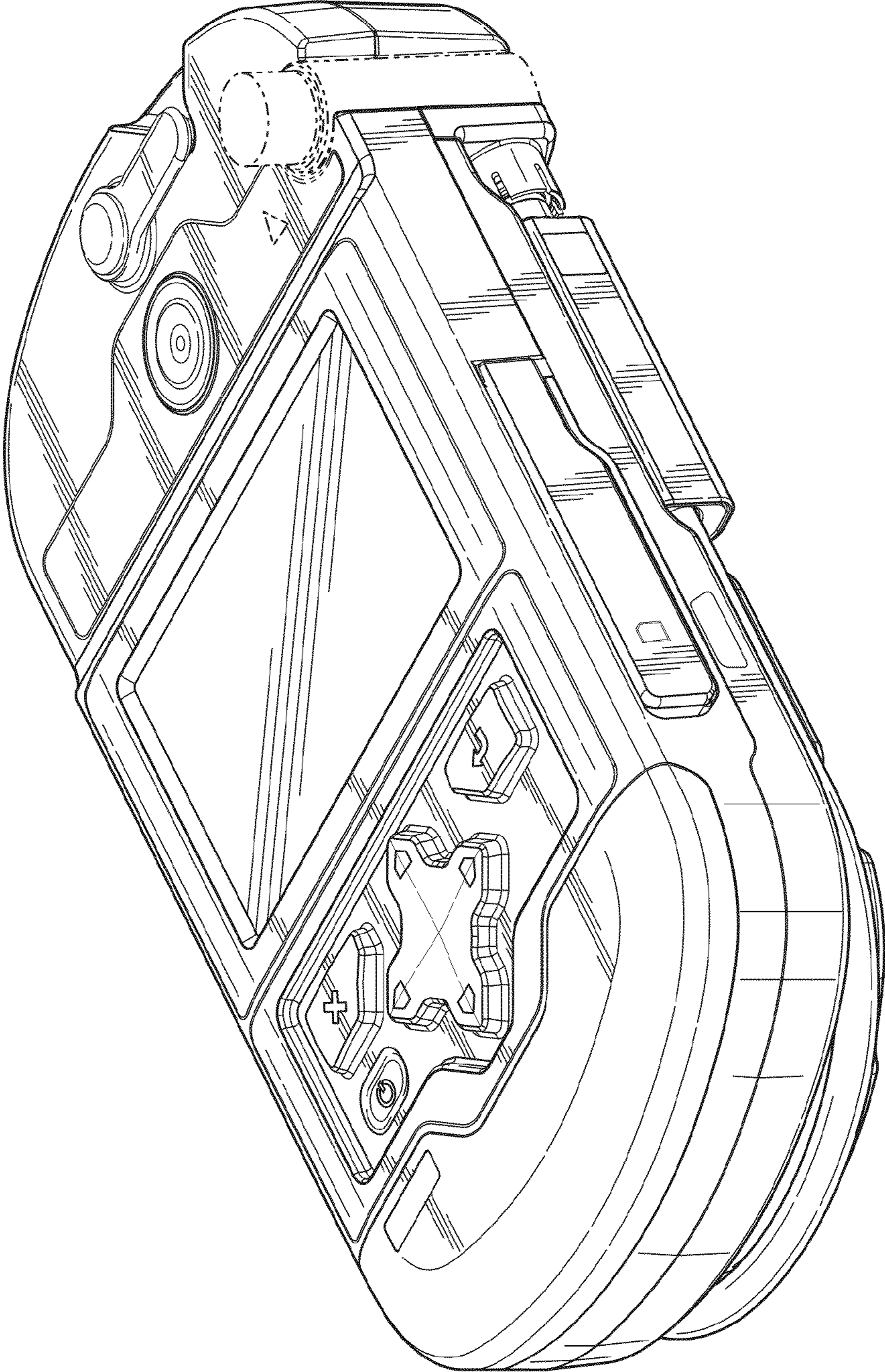


FIG. 1

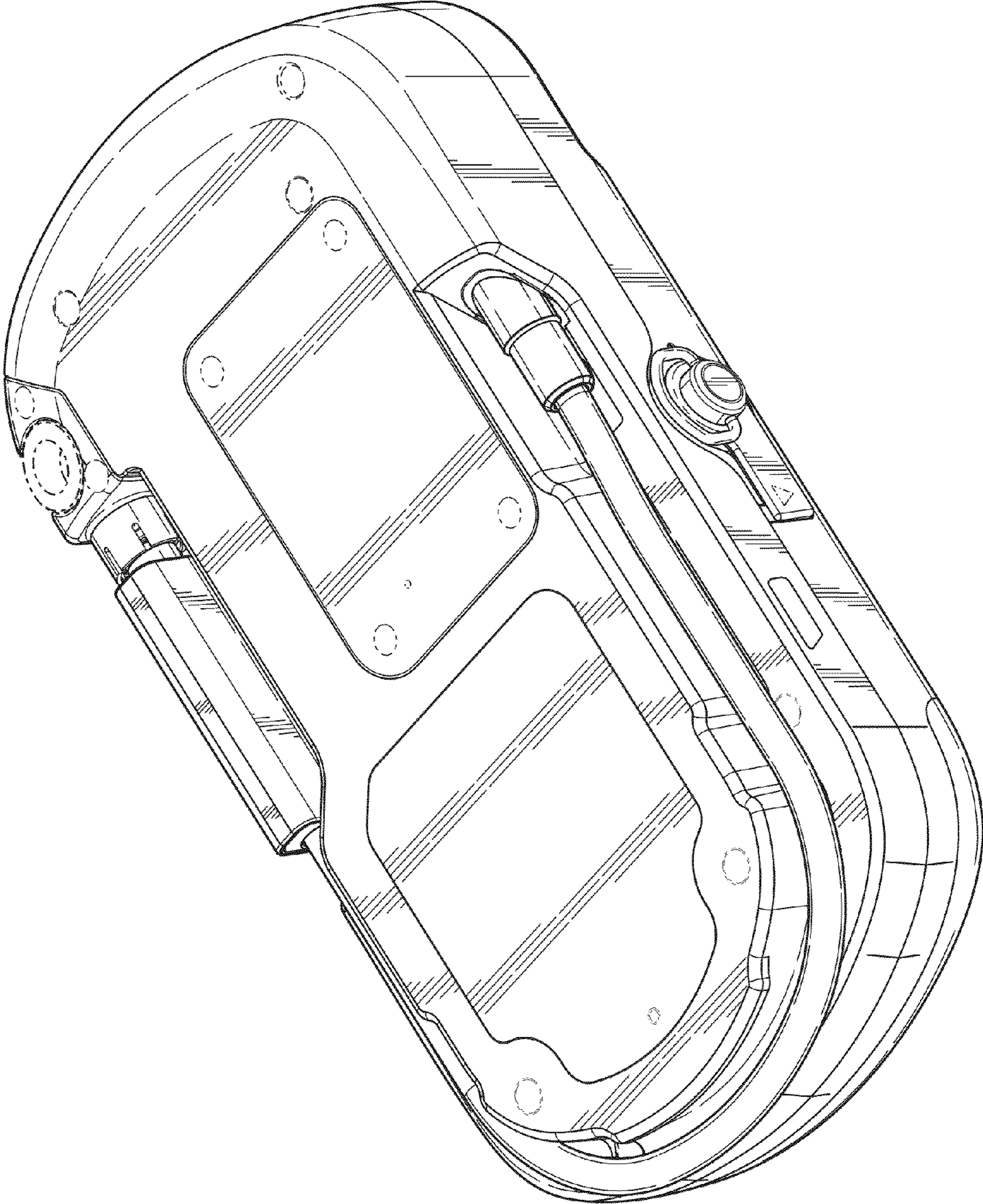


FIG. 2



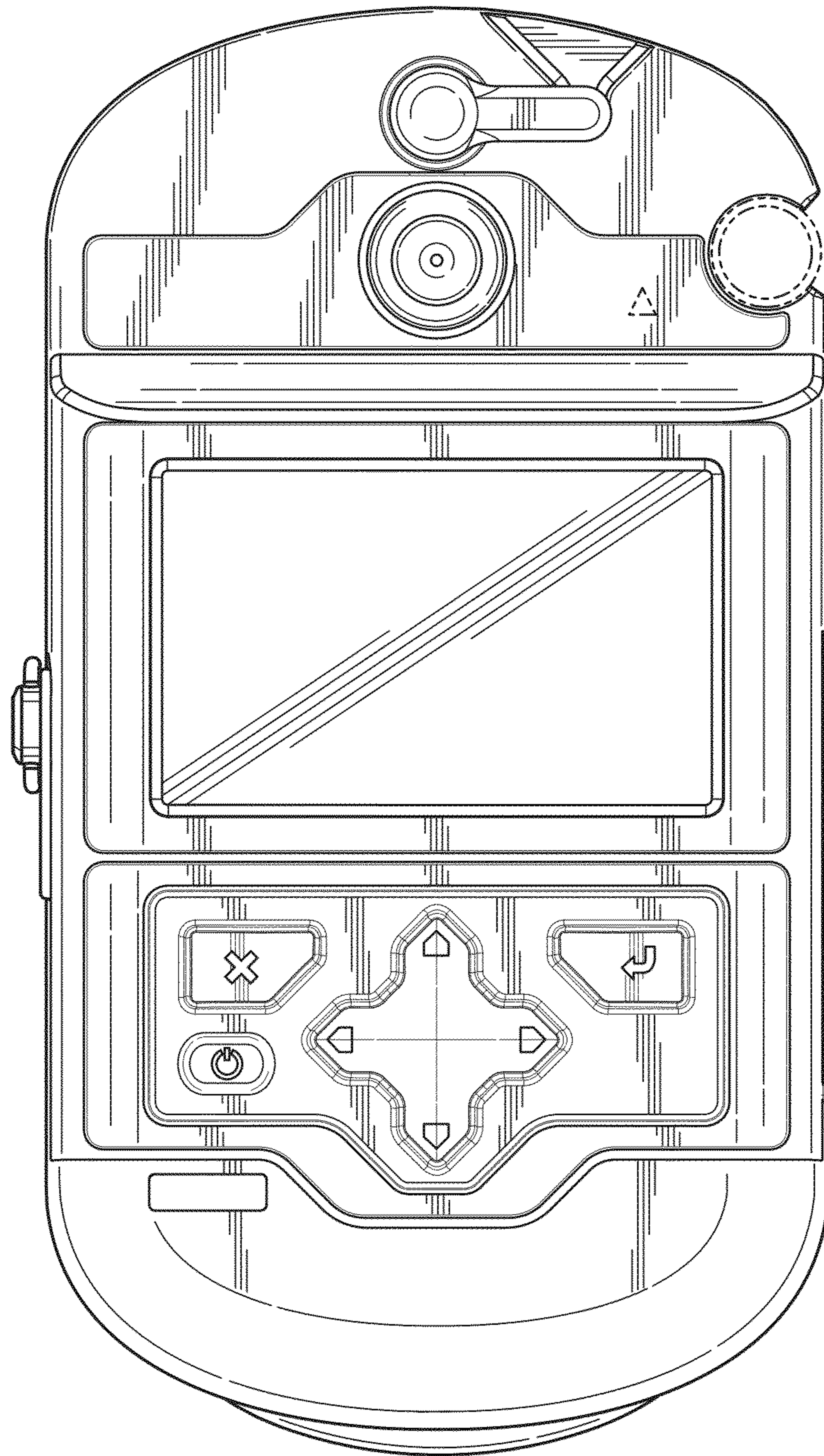


FIG. 3

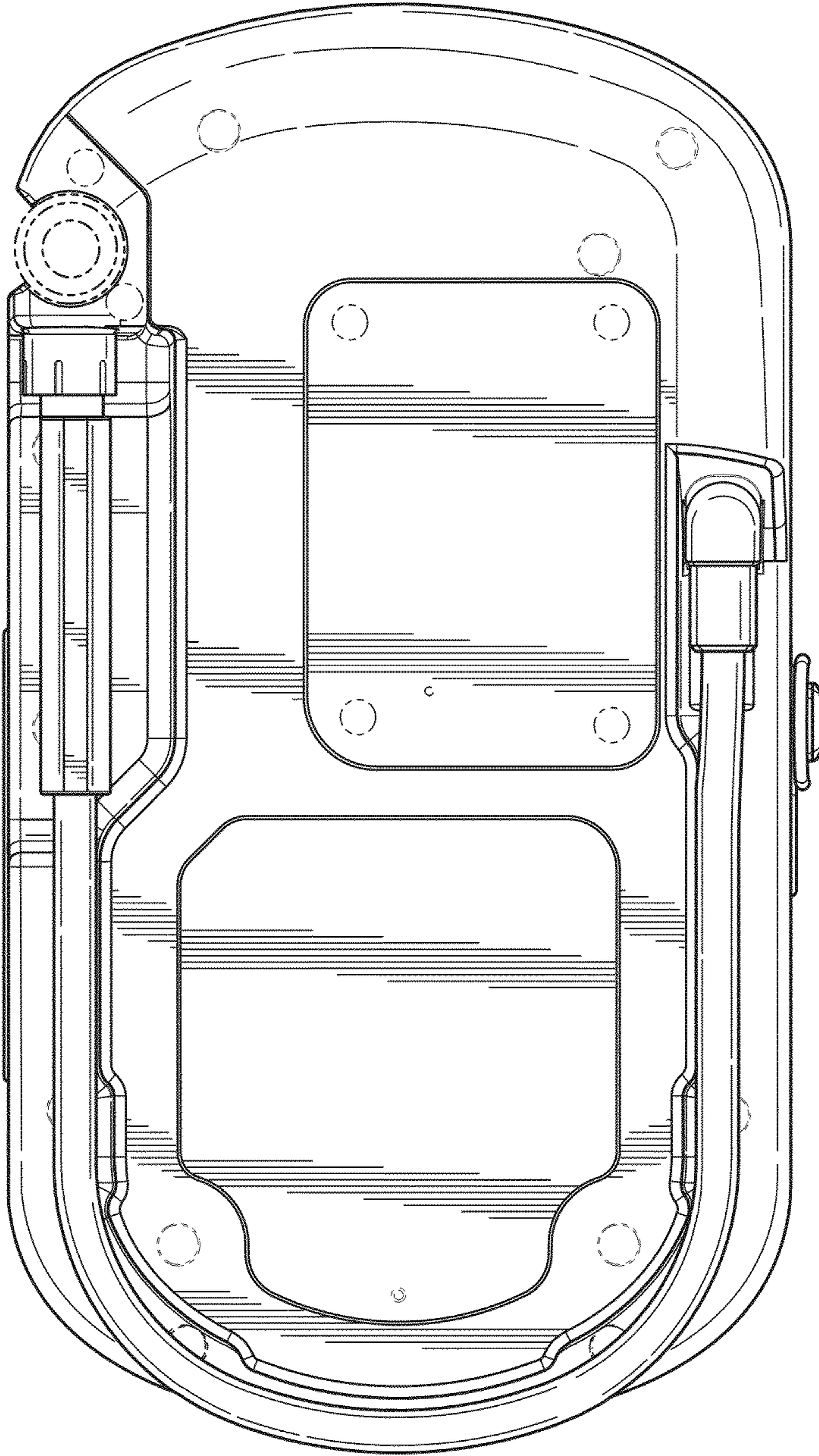


FIG. 4



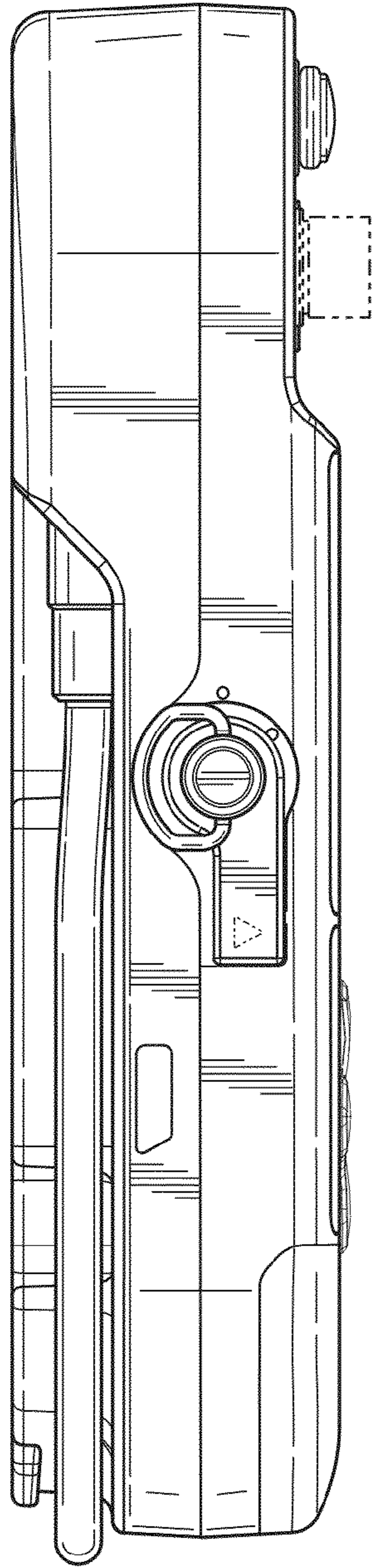


FIG. 5

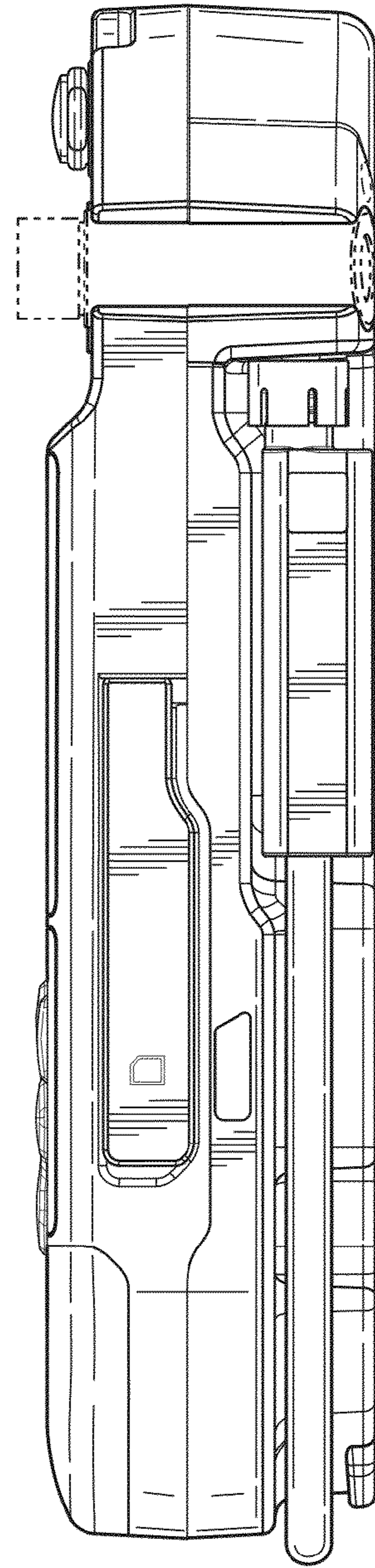


FIG. 6

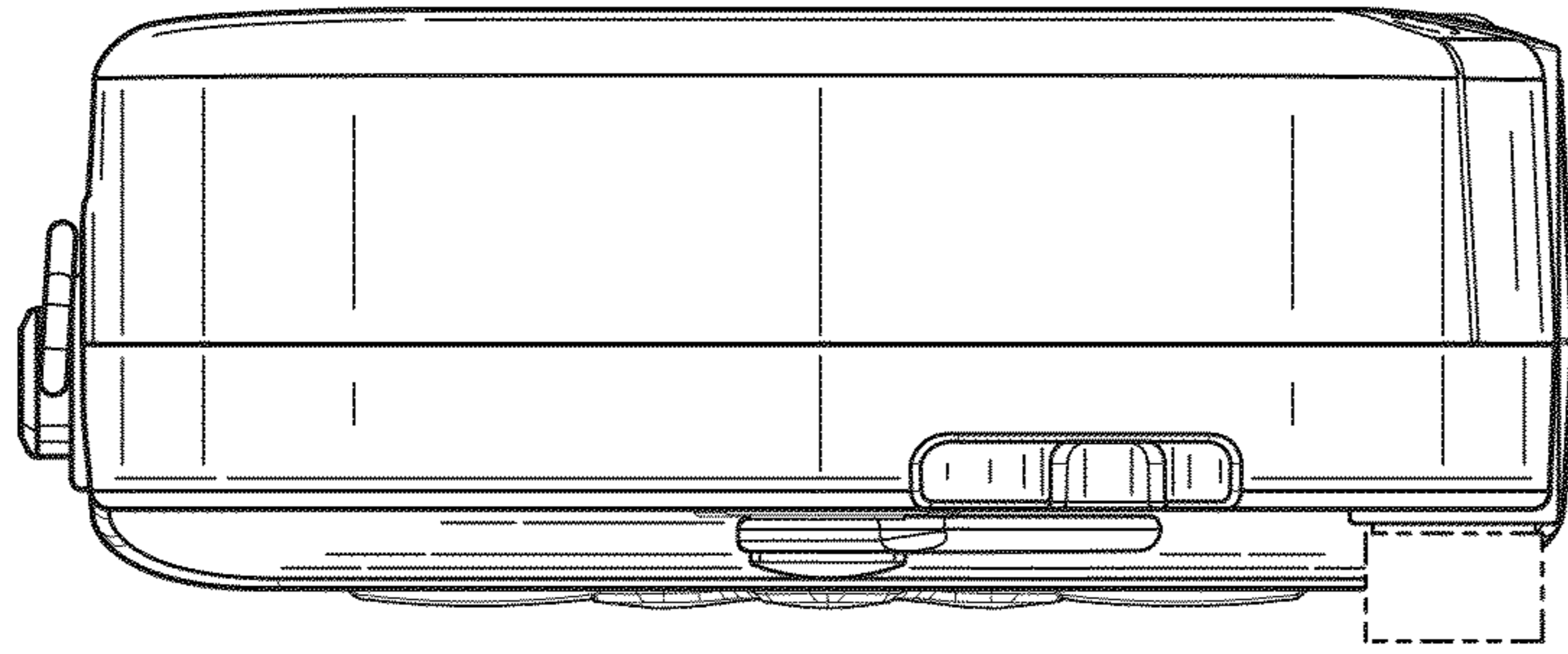


FIG. 7

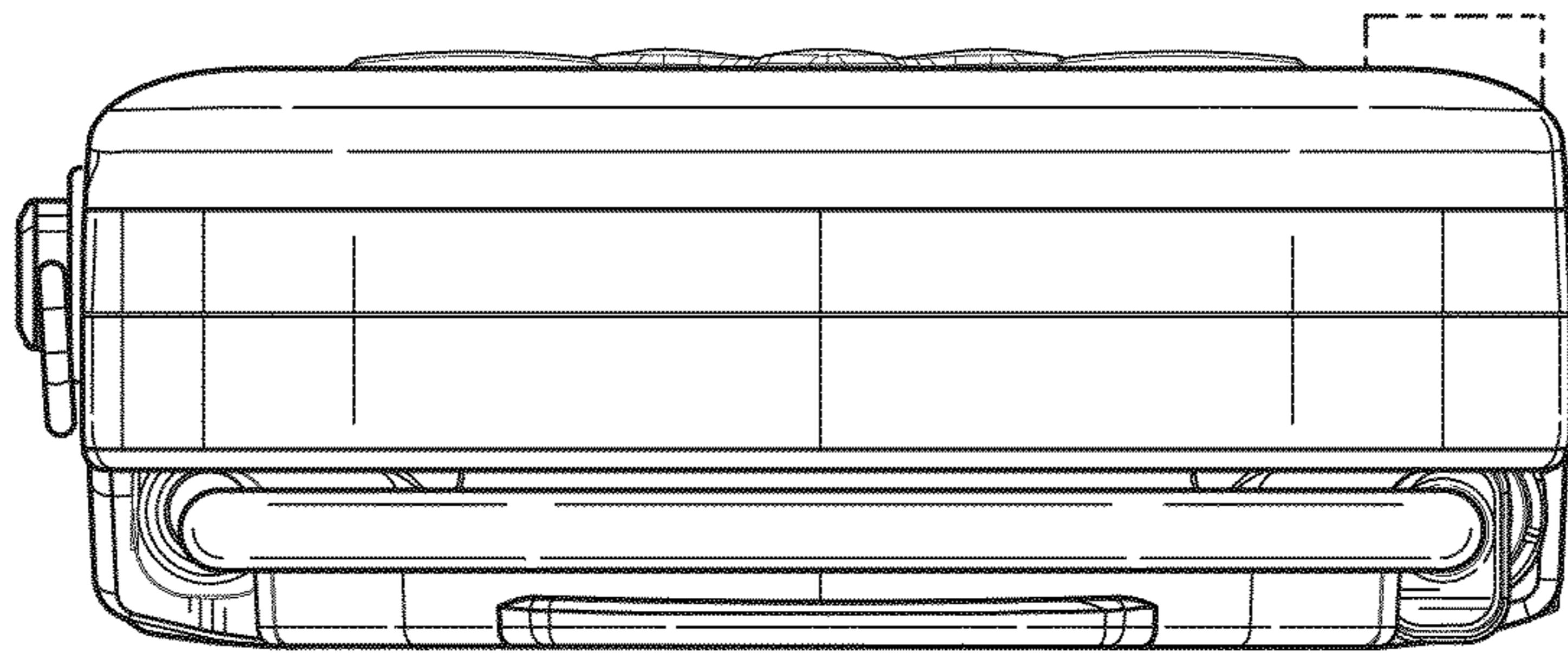


FIG. 8

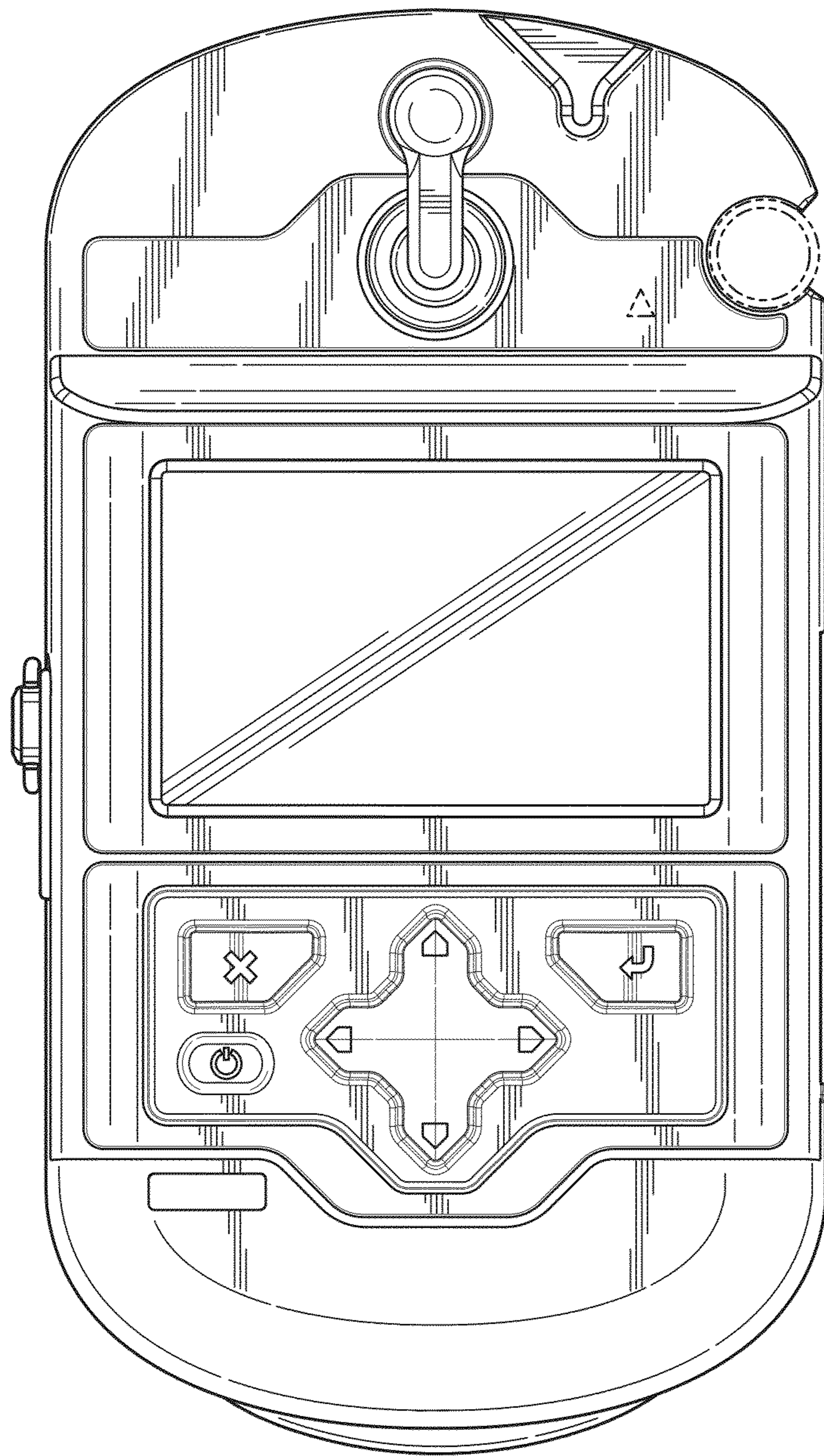


FIG. 9



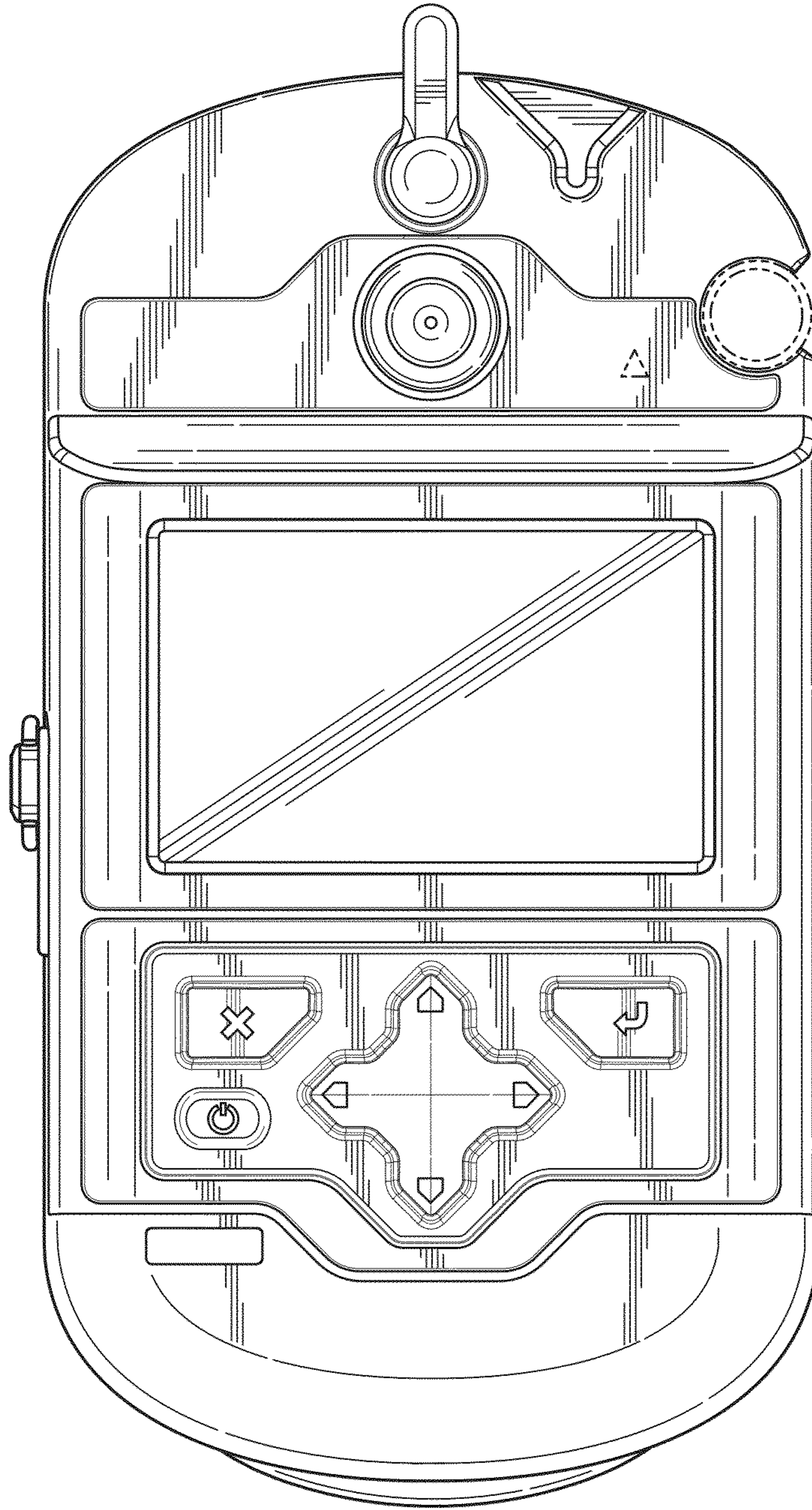


FIG. 10