



US00D728399S

(12) **United States Design Patent**
Takizawa et al.

(10) **Patent No.:** **US D728,399 S**

(45) **Date of Patent:** **** May 5, 2015**

(54) **WATER QUALITY ANALYZER**

(71) Applicants: **DKK-TOA Corporation**, Shinjuku-ku, Tokyo (JP); **Kurita Water Industries Ltd.**, Nakano-ku, Tokyo (JP)

(72) Inventors: **Satoshi Takizawa**, Shinjuku-ku (JP); **Tetsuya Sato**, Shinjuku-ku (JP); **Shuji Sugawara**, Shinjuku-ku (JP); **Yuko Konno**, Shinjuku-ku (JP); **Shintarou Mori**, Nakano-ku (JP); **Yukimasa Shimura**, Nakano-ku (JP)

(73) Assignees: **DKK-TOA Corporation**, Tokyo (JP); **Kurita Water Industries Ltd.**, Tokyo (JP)

(**) Term: **14 Years**

(21) Appl. No.: **29/478,601**

(22) Filed: **Jan. 7, 2014**

(30) **Foreign Application Priority Data**

Jul. 17, 2013 (JP) 2013-016193

(51) **LOC (10) Cl.** **10-04**

(52) **U.S. Cl.**
USPC **D10/81**

(58) **Field of Classification Search**
CPC .. G01N 33/18-33/1893; G01N 21/25-21/869;
G01N 27/00-27/92; C12N 1/00; C12Q 1/00;
C12Q 1/06; C12Q 1/24; C02F 3/006; C02F
3/104; C02F 3/1242; C02F 3/348; C02F
3/286

USPC D10/81

See application file for complete search history.

(56) **References Cited**

U.S. PATENT DOCUMENTS

| | | | | | | |
|-----------|----|---|---------|------------------|-------|-----------|
| D261,623 | S | * | 11/1981 | Collister et al. | | D10/46 |
| D276,315 | S | * | 11/1984 | Collister | | D10/46 |
| D308,646 | S | * | 6/1990 | Grilk | | D10/81 |
| 5,838,843 | A | * | 11/1998 | Aose et al. | | 385/12 |
| 7,794,660 | B2 | * | 9/2010 | Connelly et al. | | 422/82.05 |
| 8,881,980 | B2 | * | 11/2014 | Magill | | 235/385 |

* cited by examiner

Primary Examiner — Antoine D Davis

(74) *Attorney, Agent, or Firm* — Sughrue Mion, PLLC

(57) **CLAIM**

The ornamental design for a water quality analyzer, as shown and described.

DESCRIPTION

FIG. 1 is a perspective view of a water quality analyzer.
 FIG. 2 is a front elevation view thereof.
 FIG. 3 is a rear elevation view thereof.
 FIG. 4 is a top plan view thereof.
 FIG. 5 is a bottom plan view thereof.
 FIG. 6 is a left side elevation view thereof.
 FIG. 7 is a right side elevation view thereof.
 FIG. 8 is a perspective view with the covers in an open position.
 FIG. 9 is a front elevation view with the covers in an open position.
 FIG. 10 is a rear elevation view with the covers in an open position.
 FIG. 11 is a top plan view with the covers in an open position.
 FIG. 12 is a bottom plan view with the covers in an open position.
 FIG. 13 is a left side elevation view with the covers in an open position; and,
 FIG. 14 is a right side elevation view with the covers in an open position.

The broken line showing of structural features is included for the purpose of illustrating non-claimed subject matter and forms no part of the claimed design.

1 Claim, 14 Drawing Sheets

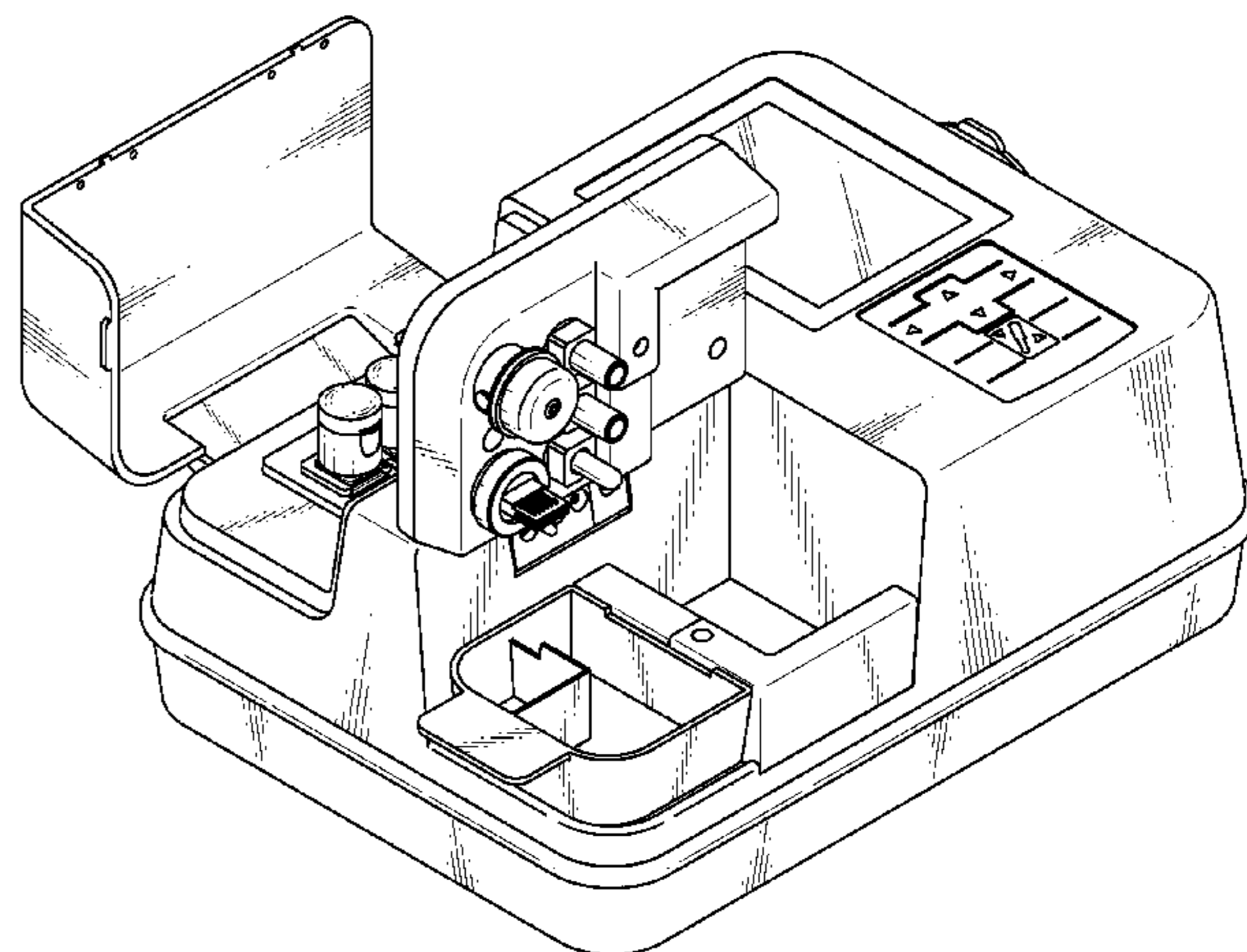
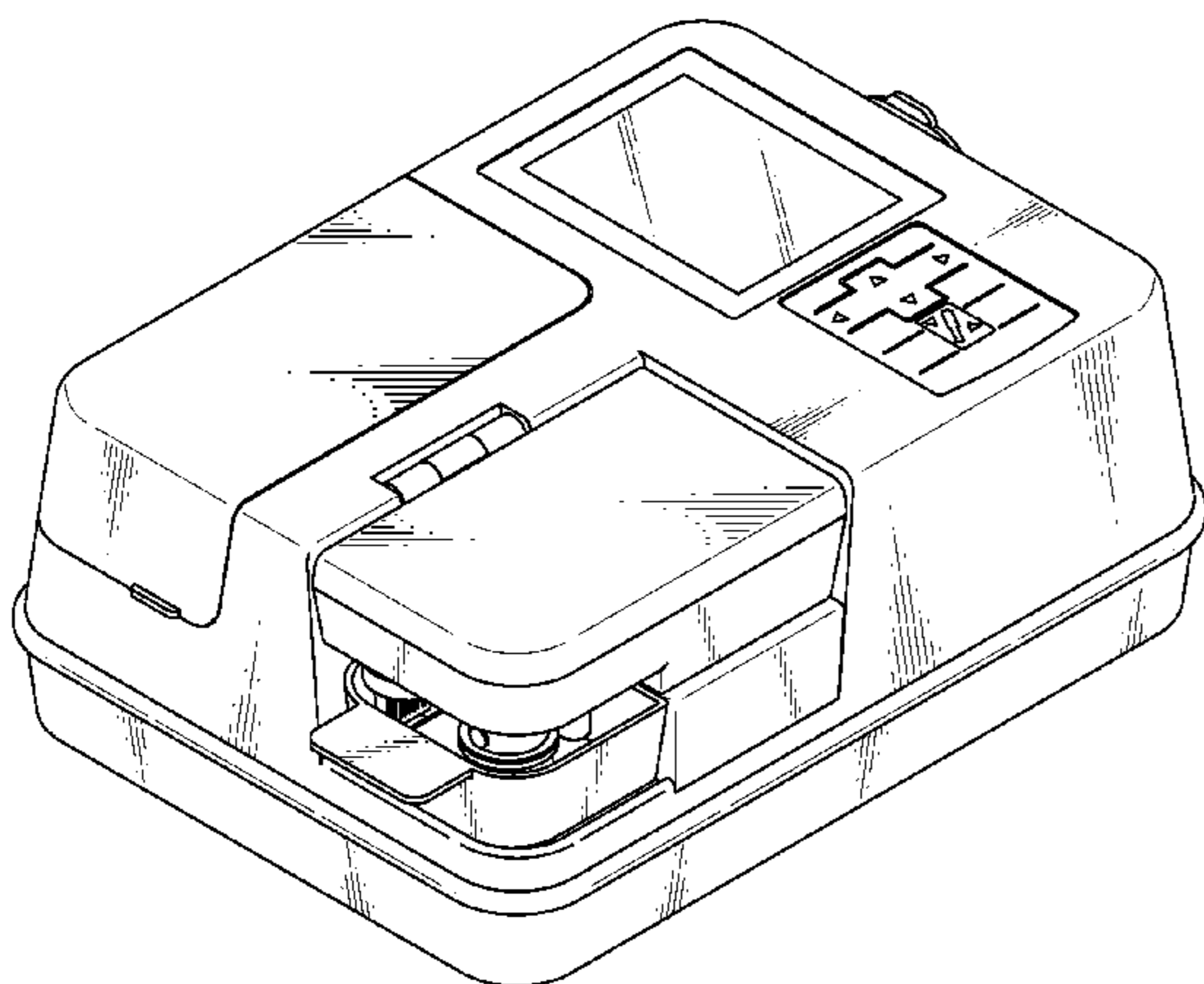


FIG. 1

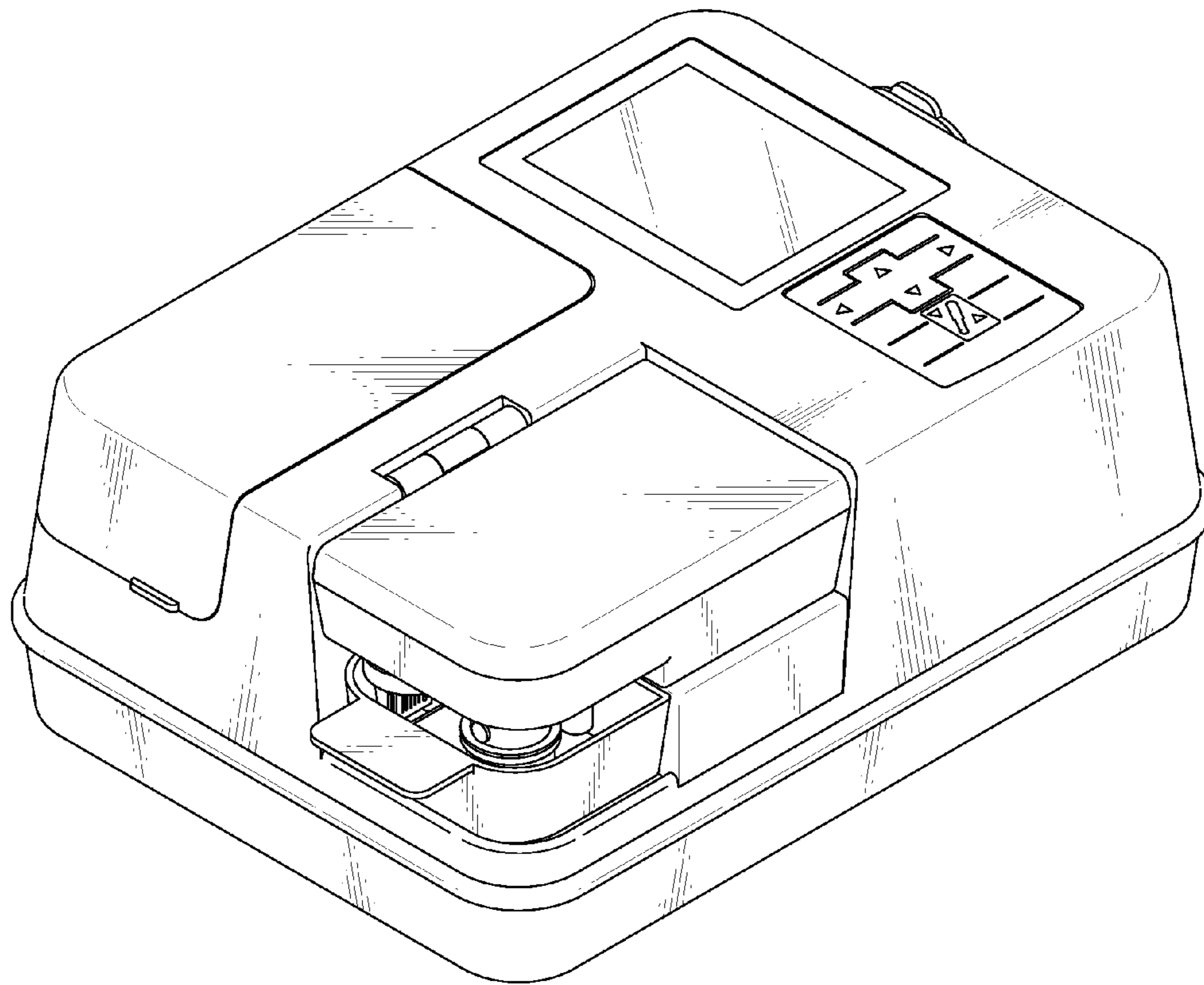


FIG. 2

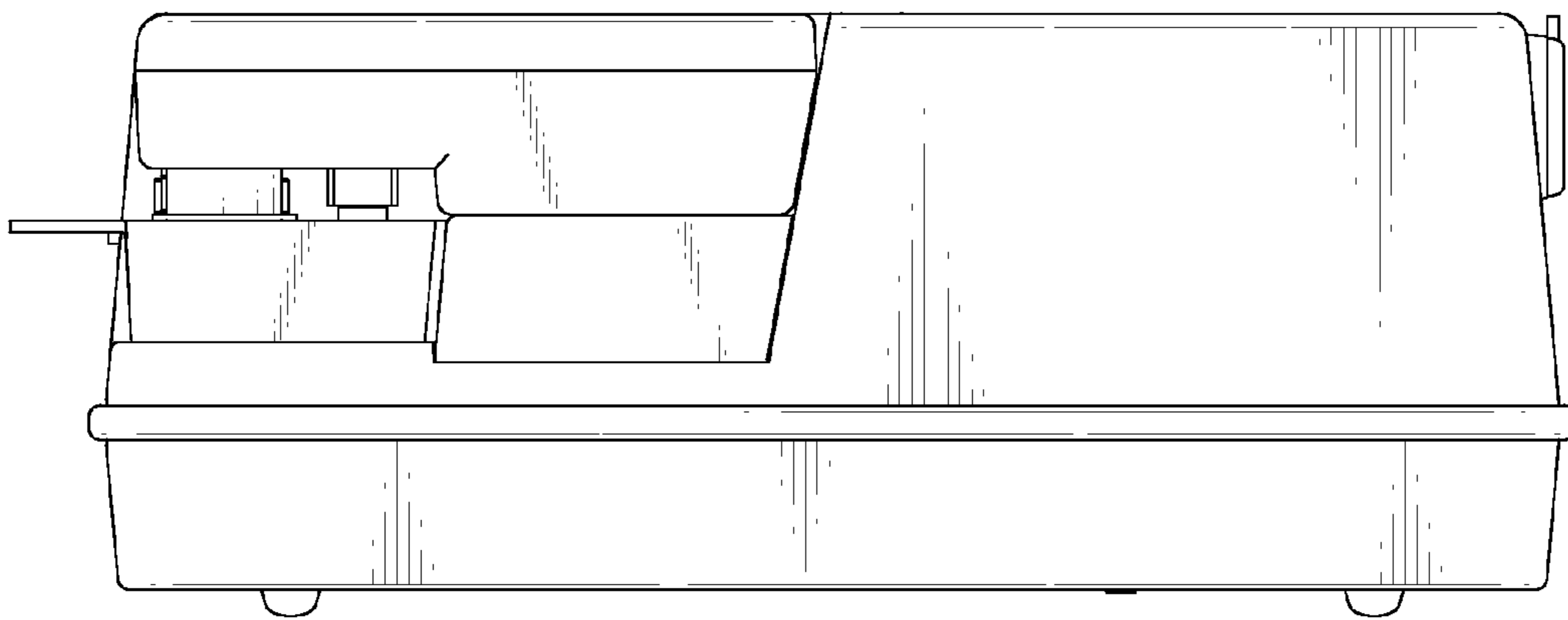


FIG. 3

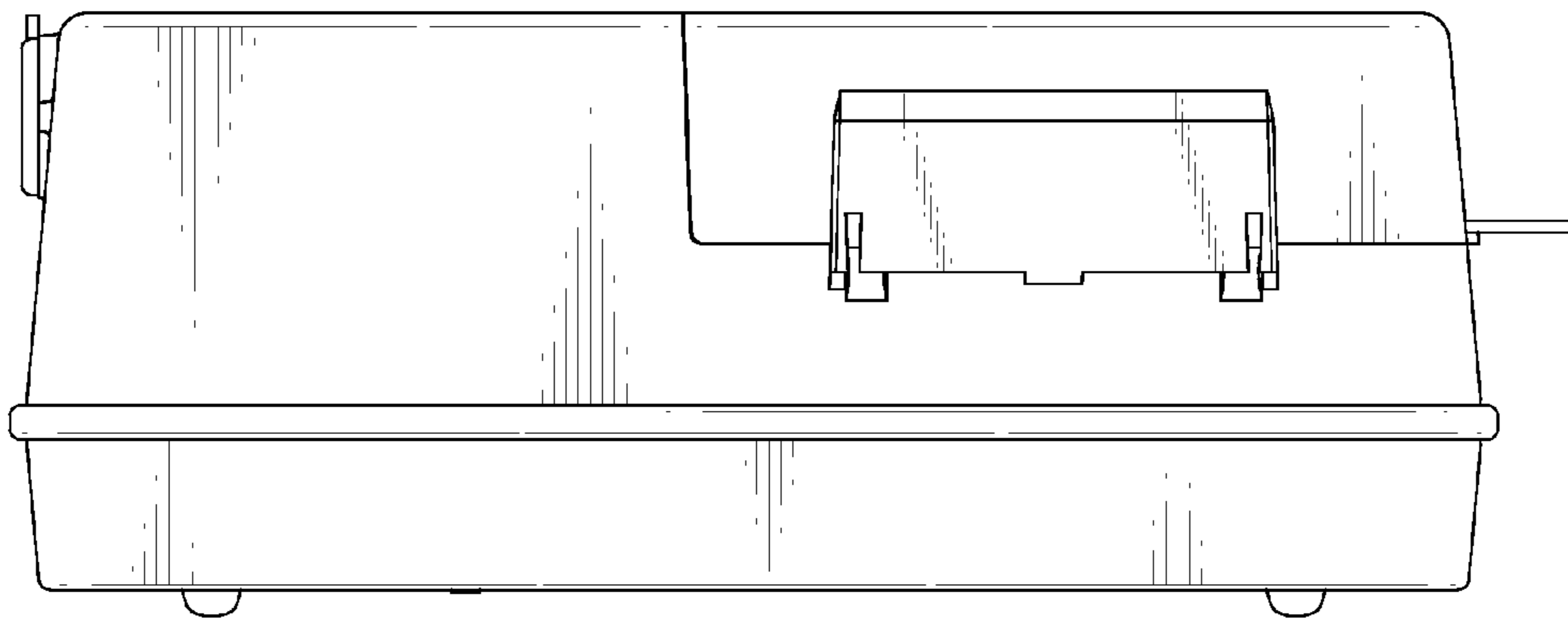


FIG. 4

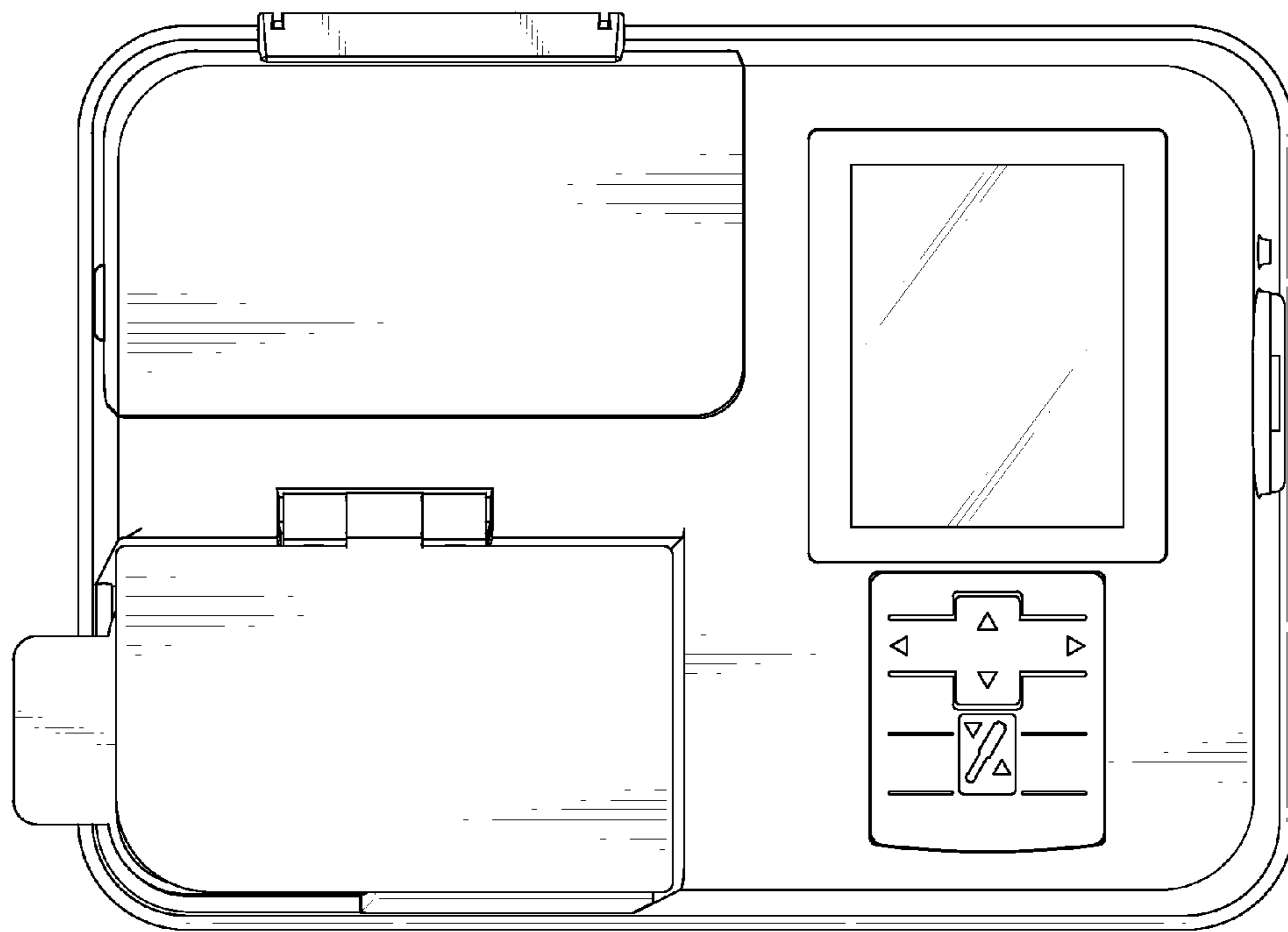


FIG. 5

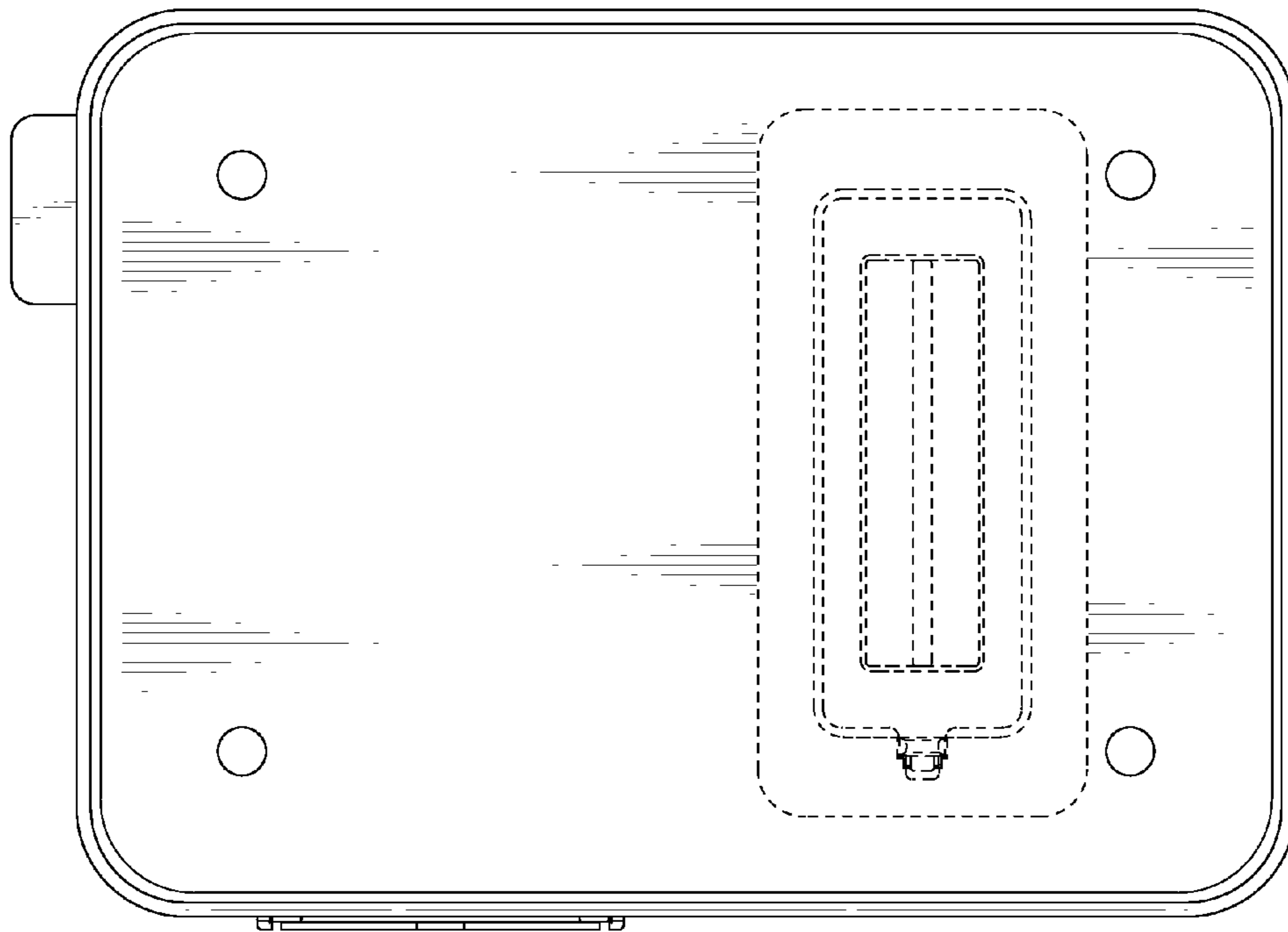


FIG. 6



FIG. 7

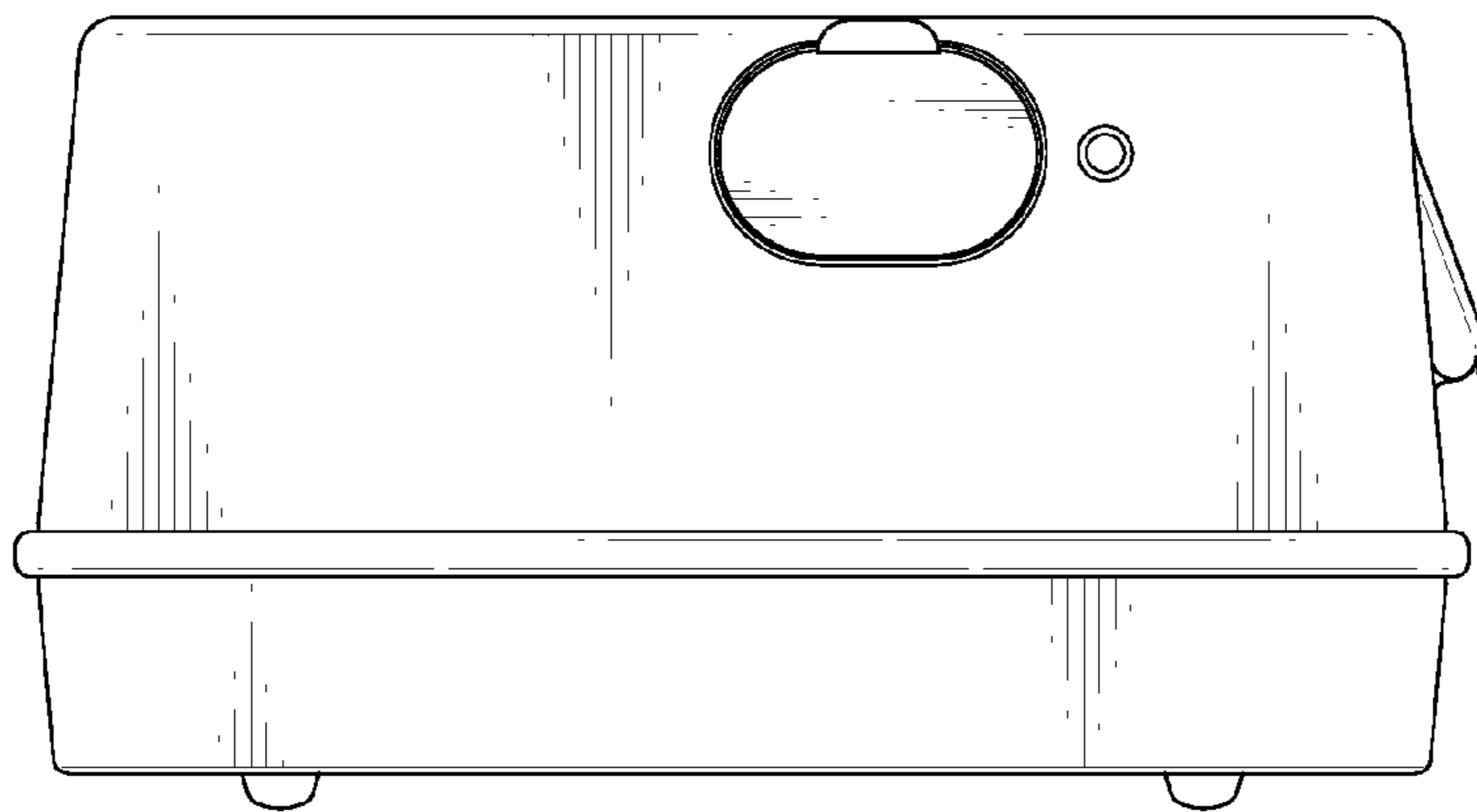


FIG. 8

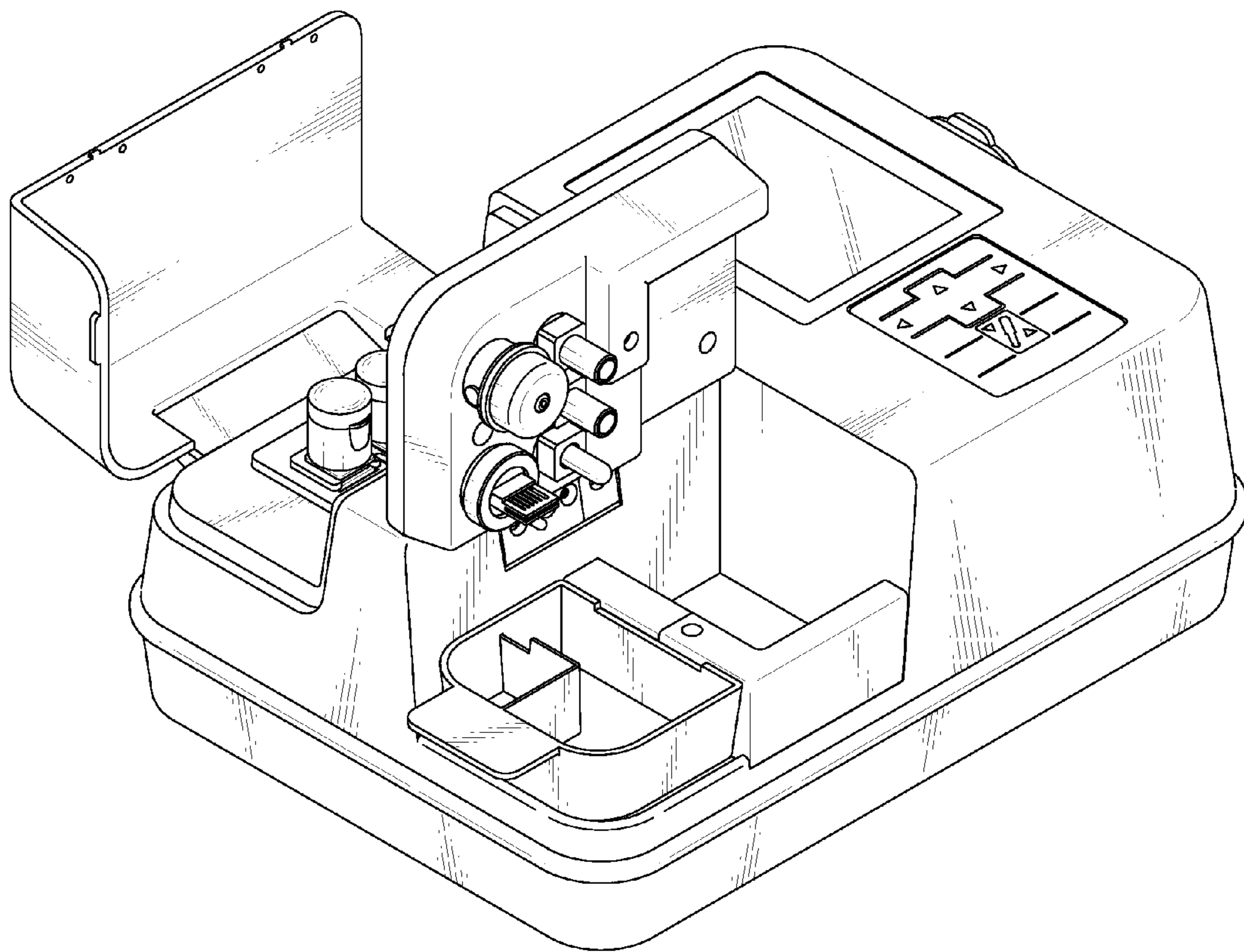


FIG. 9

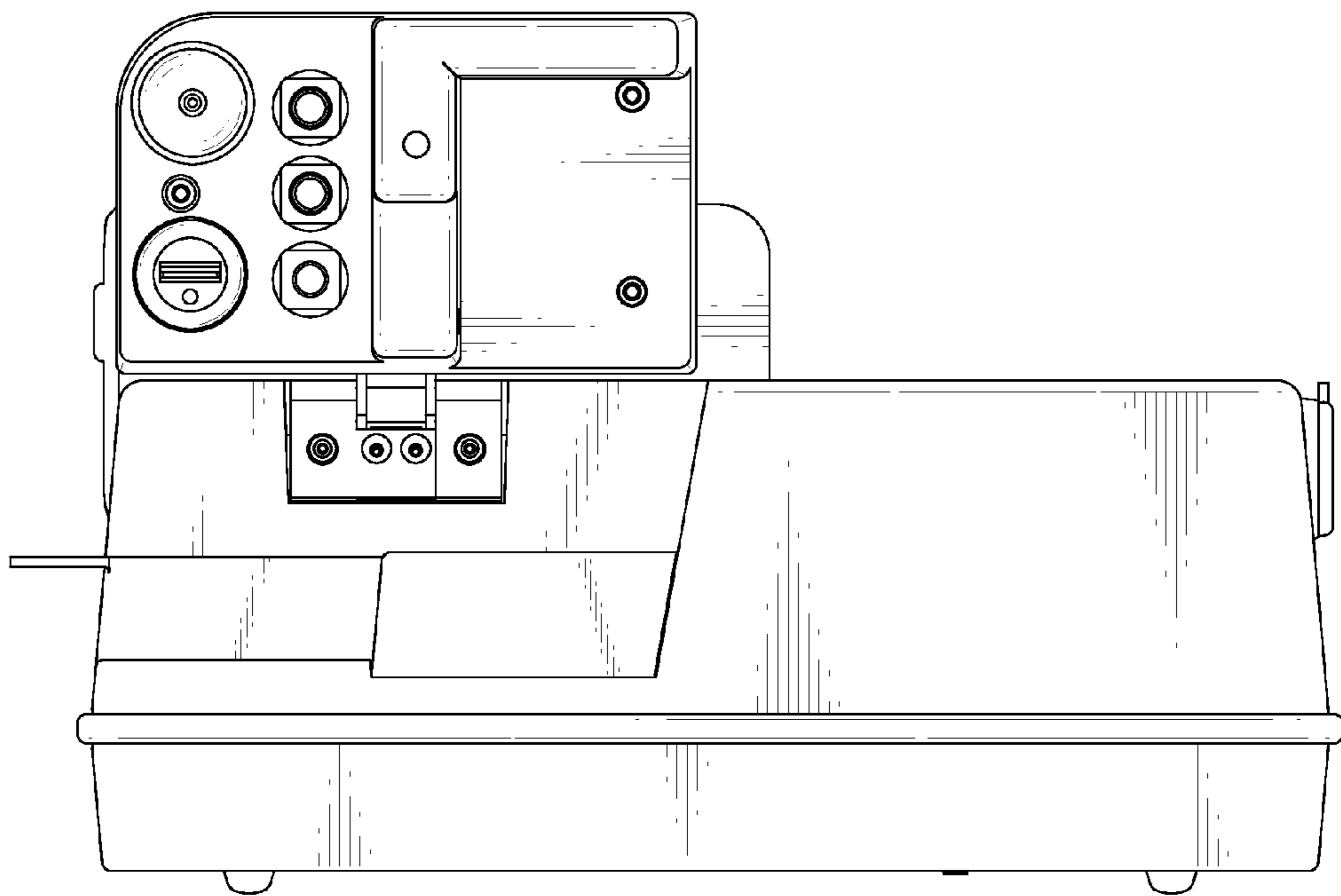


FIG. 10

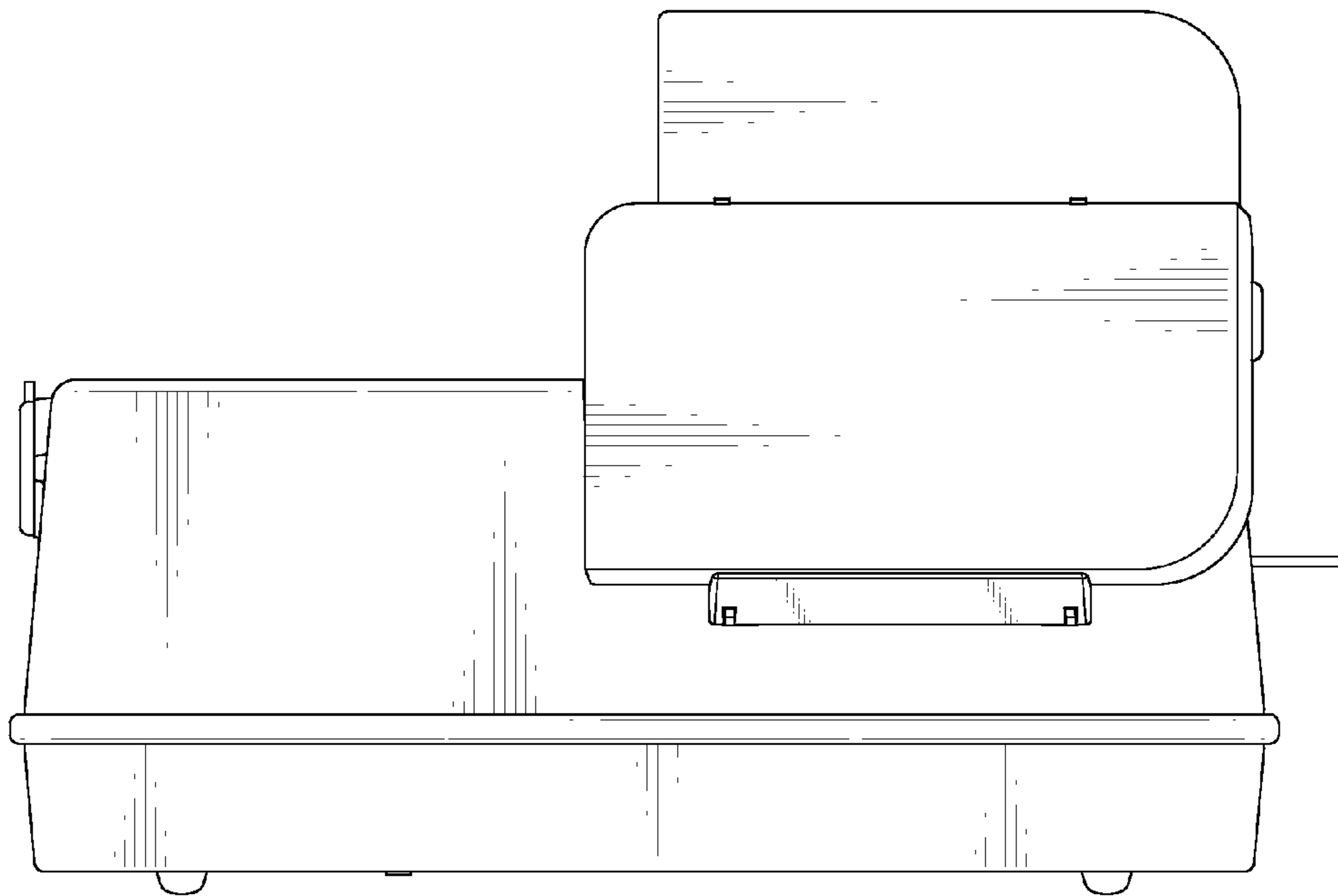


FIG. 11

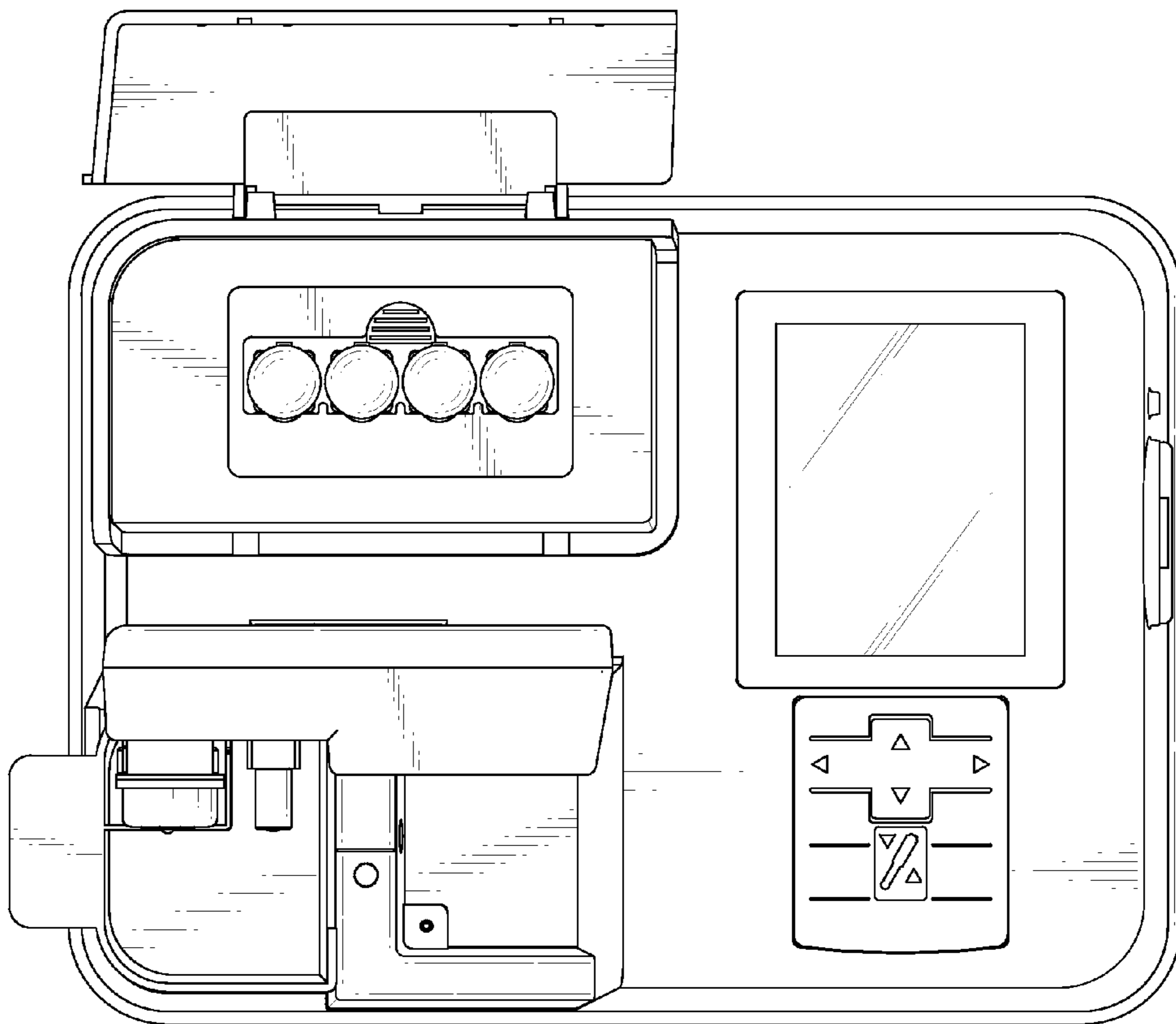


FIG. 12

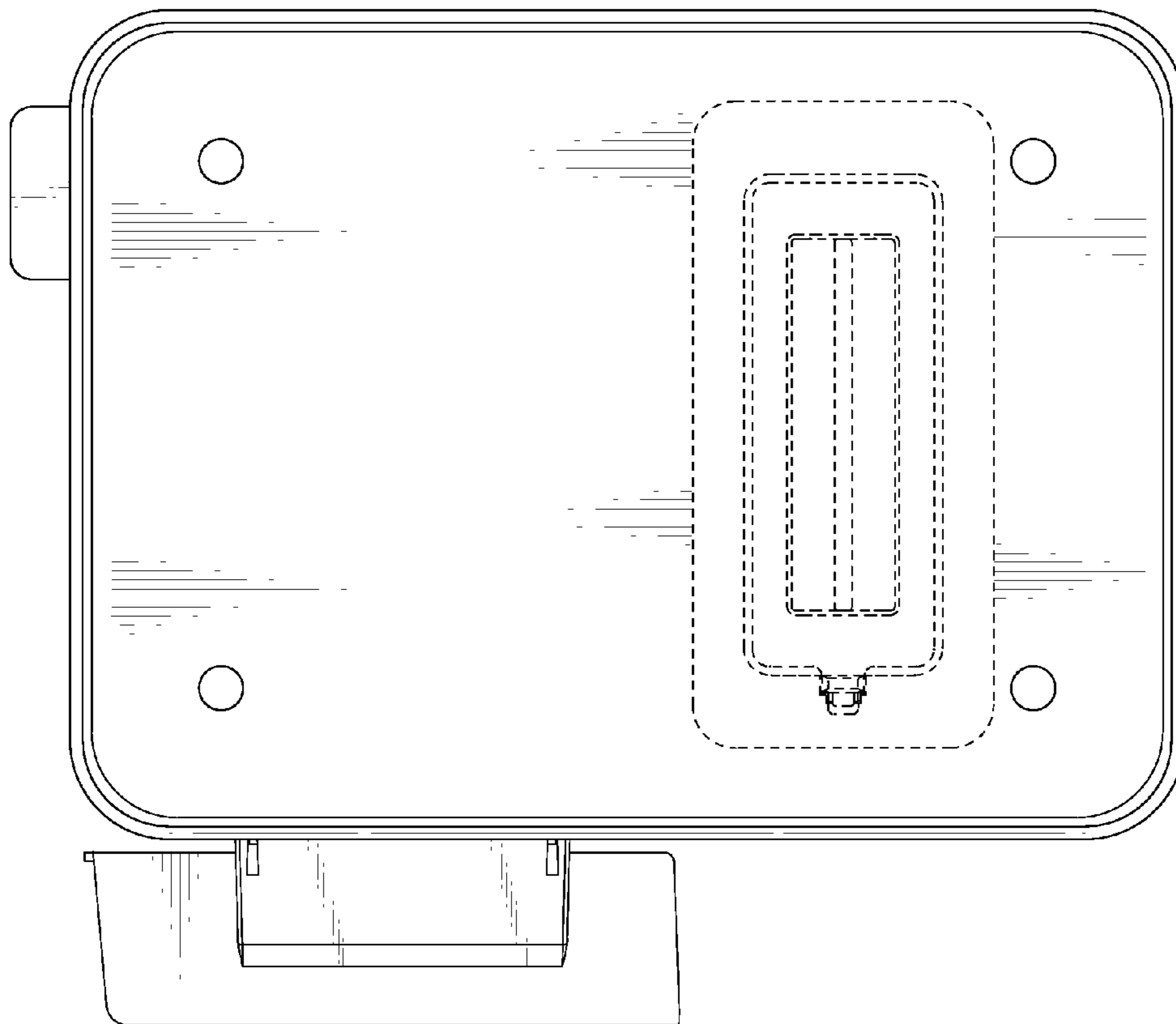


FIG. 13

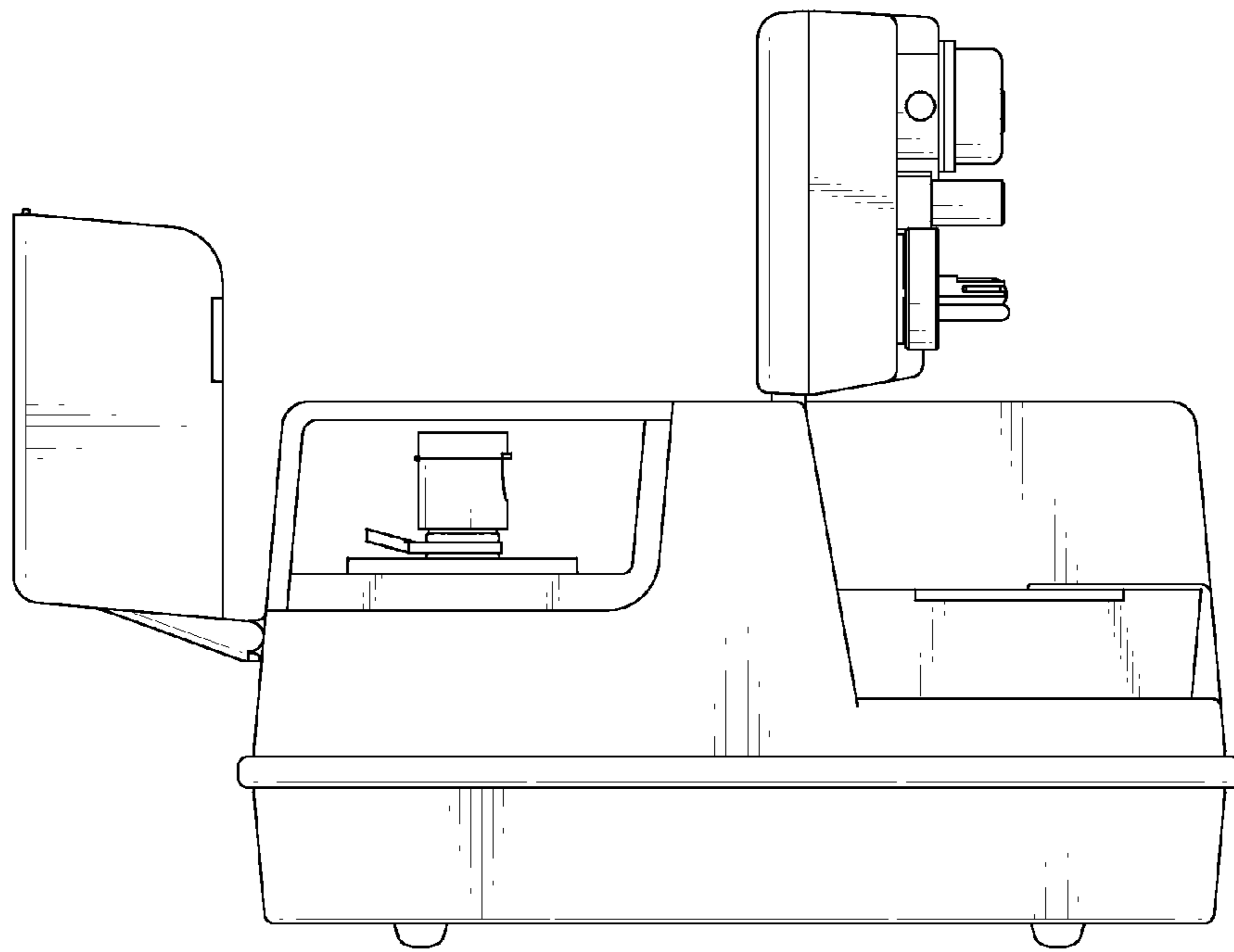


FIG. 14

