



US00D728391S

(12) **United States Design Patent**  
**Olivieri et al.**

(10) **Patent No.:** **US D728,391 S**  
(45) **Date of Patent:** **\*\* May 5, 2015**

(54) **HOUSING FOR A NAVIGATION DEVICE**

(71) Applicant: **Deere & Company**, Moline, IL (US)

(72) Inventors: **Pablo G Olivieri**, Downey, CA (US);  
**Stephen Piltingsrud**, Fargo, ND (US);  
**Mark D Schmaltz**, Fargo, ND (US)

(73) Assignee: **Deere & Company**, Moline, IL (US)

(\*\*) Term: **14 Years**

(21) Appl. No.: **29/496,086**

(22) Filed: **Jul. 9, 2014**

(51) **LOC (10) Cl.** ..... **10-04**

(52) **U.S. Cl.**  
USPC ..... **D10/65; D10/70**

(58) **Field of Classification Search**

CPC ..... G08G 1/096883; G08G 1/096872;  
G08G 1/096775; G01C 21/16; G01C 21/3688;  
G01C 21/30; G01V 8/20; G01J 5/02; G01J  
5/023; G01J 5/24; G01J 5/10; G01J 5/20;  
G01J 5/0235; G01J 5/08; G01J 5/0853;  
G01J 5/33; G01J 5/34; G01J 5/00  
USPC ..... D10/65, 70  
See application file for complete search history.

(56) **References Cited**

**U.S. PATENT DOCUMENTS**

D343,362 S	1/1994	Soren et al.
D385,564 S	10/1997	Serksnis et al.
D406,071 S	2/1999	Dawson et al.
D428,876 S	8/2000	Renkis
D465,214 S	11/2002	Mirabelli et al.
D469,367 S	1/2003	Mirabelli et al.
D471,539 S	3/2003	Warner et al.
D516,443 S	3/2006	Gotou et al.
D532,323 S	11/2006	Gotou et al.

(Continued)

**OTHER PUBLICATIONS**

GreenStar™ Ag Management Solutions. Product Brochure [online].

John Deere, 2008 [retrieved Feb. 2015]. Retrieved from the Internet:  
<[http://www.deere.com/en\\_US/docs/html/brochures/publication.html?id=dcbf8dee#30](http://www.deere.com/en_US/docs/html/brochures/publication.html?id=dcbf8dee#30)>.

*Primary Examiner* — Antoine D Davis

(57) **CLAIM**

The ornamental design for a housing for a navigation device, as shown and described.

**DESCRIPTION**

FIG. 1 is a perspective front view of a housing for a navigation device of the present invention.

FIG. 2 is a perspective rear view of the housing for a navigation device of FIG. 1.

FIG. 3 is a perspective bottom, front view of the housing for a navigation device of FIG. 1.

FIG. 4 is a perspective bottom, rear view of the housing for a navigation device of FIG. 1.

FIG. 5 is a top view of the housing for a navigation device of FIG. 1.

FIG. 6 is a right side view of the housing for a navigation device of FIG. 1.

FIG. 7 is a left side view of the housing for a navigation device of FIG. 1.

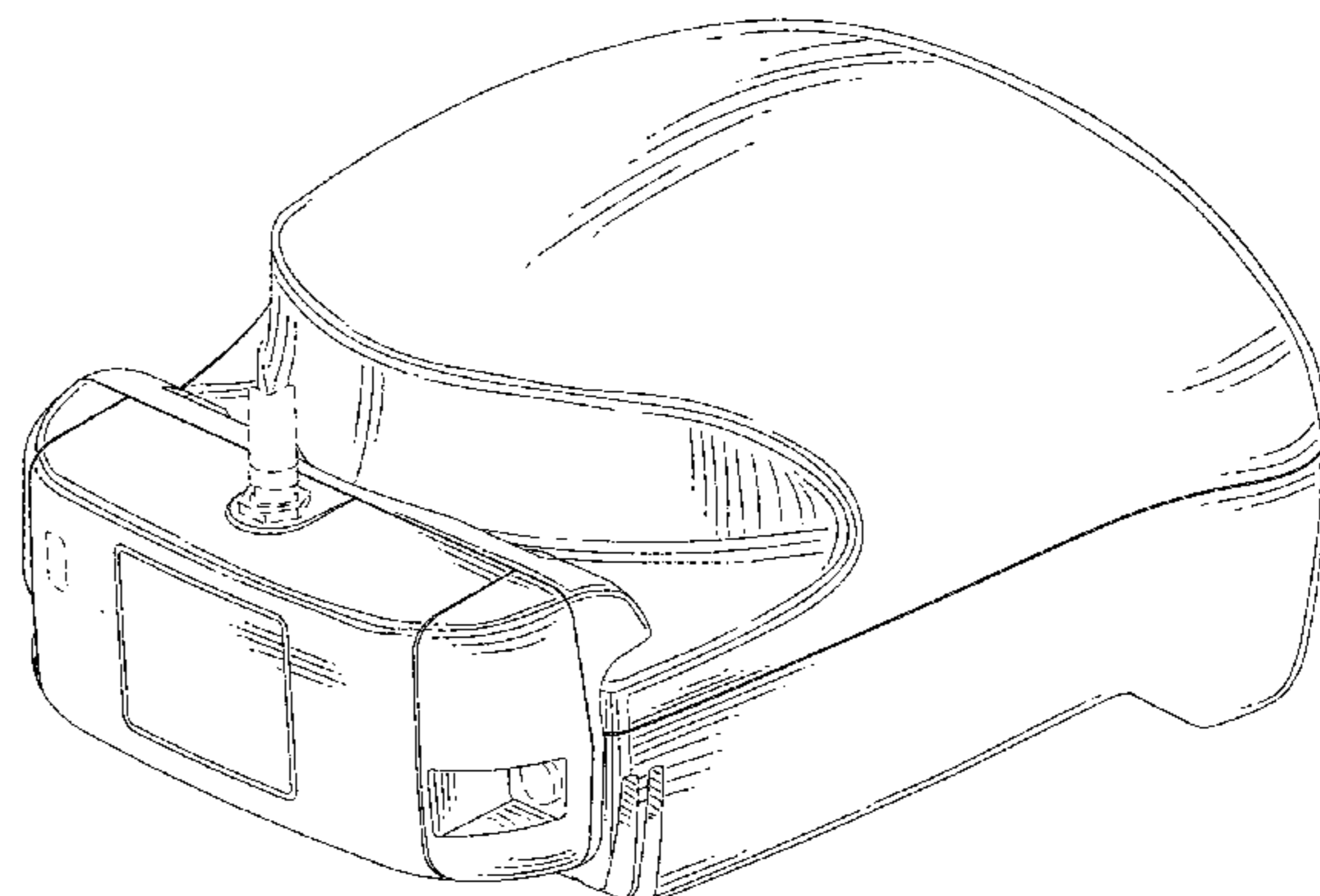
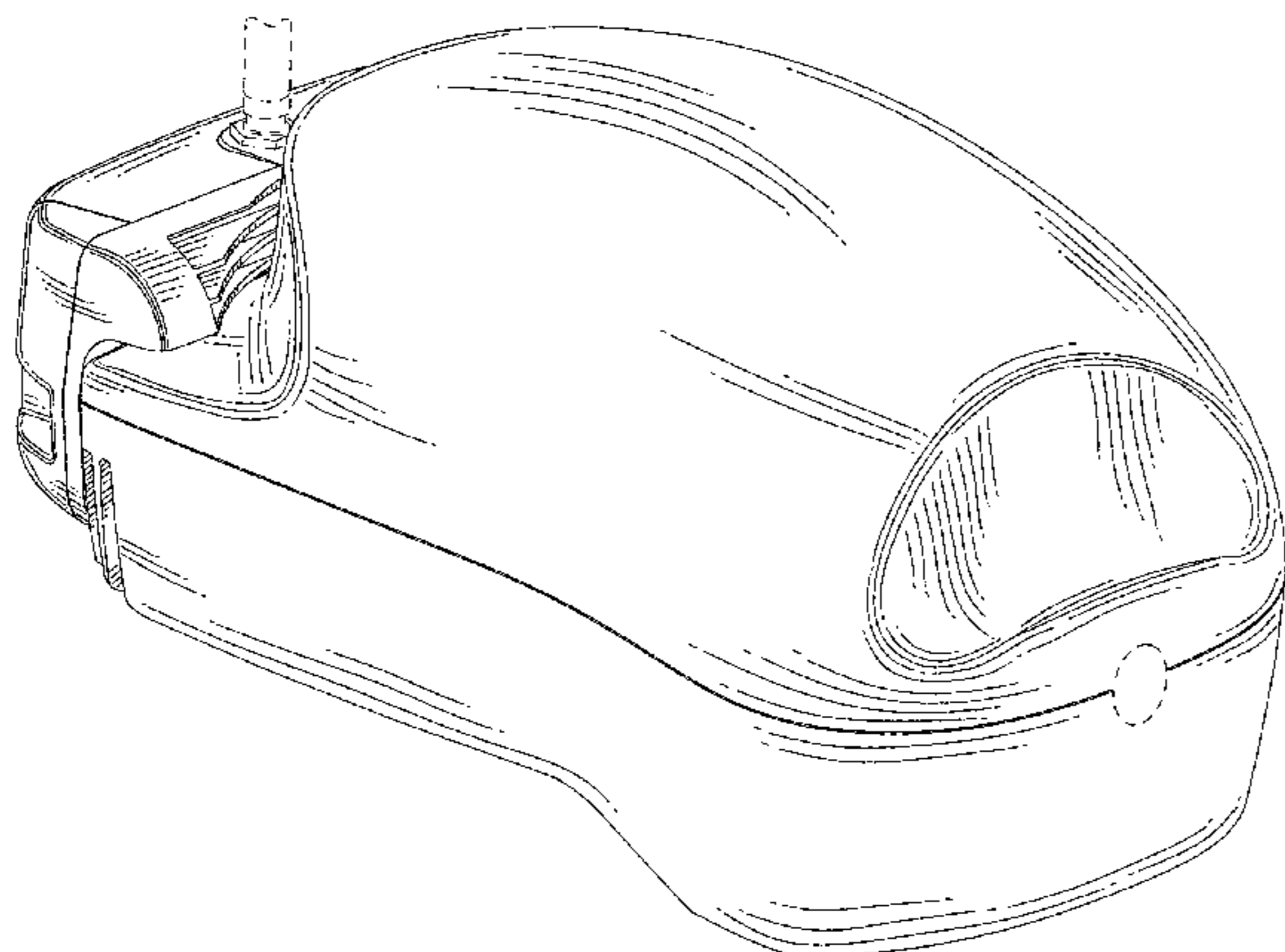
FIG. 8 is a bottom view of the housing for a navigation device of FIG. 1.

FIG. 9 is a front view of the housing for a navigation device of FIG. 1; and,

FIG. 10 is a rear view of the housing for a navigation device of FIG. 1.

The ornamental design which is claimed is shown in solid lines in the drawings. The portions of the design shown in broken lines or dashed lines are included for the purpose of illustrating environment and form no part of the claimed design. However, Applicant(s) reserve the right to incorporate the unclaimed features, in whole or in part, into the claimed design. Moreover, Applicant(s) reserve the right to disclaim one or more features, in whole or in part, of the claimed design as originally filed.

**1 Claim, 7 Drawing Sheets**



# US D728,391 S

Page 2

---

(56)

## References Cited

### U.S. PATENT DOCUMENTS

D540,205 S 4/2007 Hsu  
D559,233 S 1/2008 Tang  
D582,806 S 12/2008 Schmid-Schweiger

D638,317 S \* 5/2011 Nguyen et al. .... D10/65  
D656,047 S \* 3/2012 Dyer ..... D10/70  
D697,438 S 1/2014 Rector, III  
D720,245 S \* 12/2014 Neigher et al. .... D10/65

\* cited by examiner

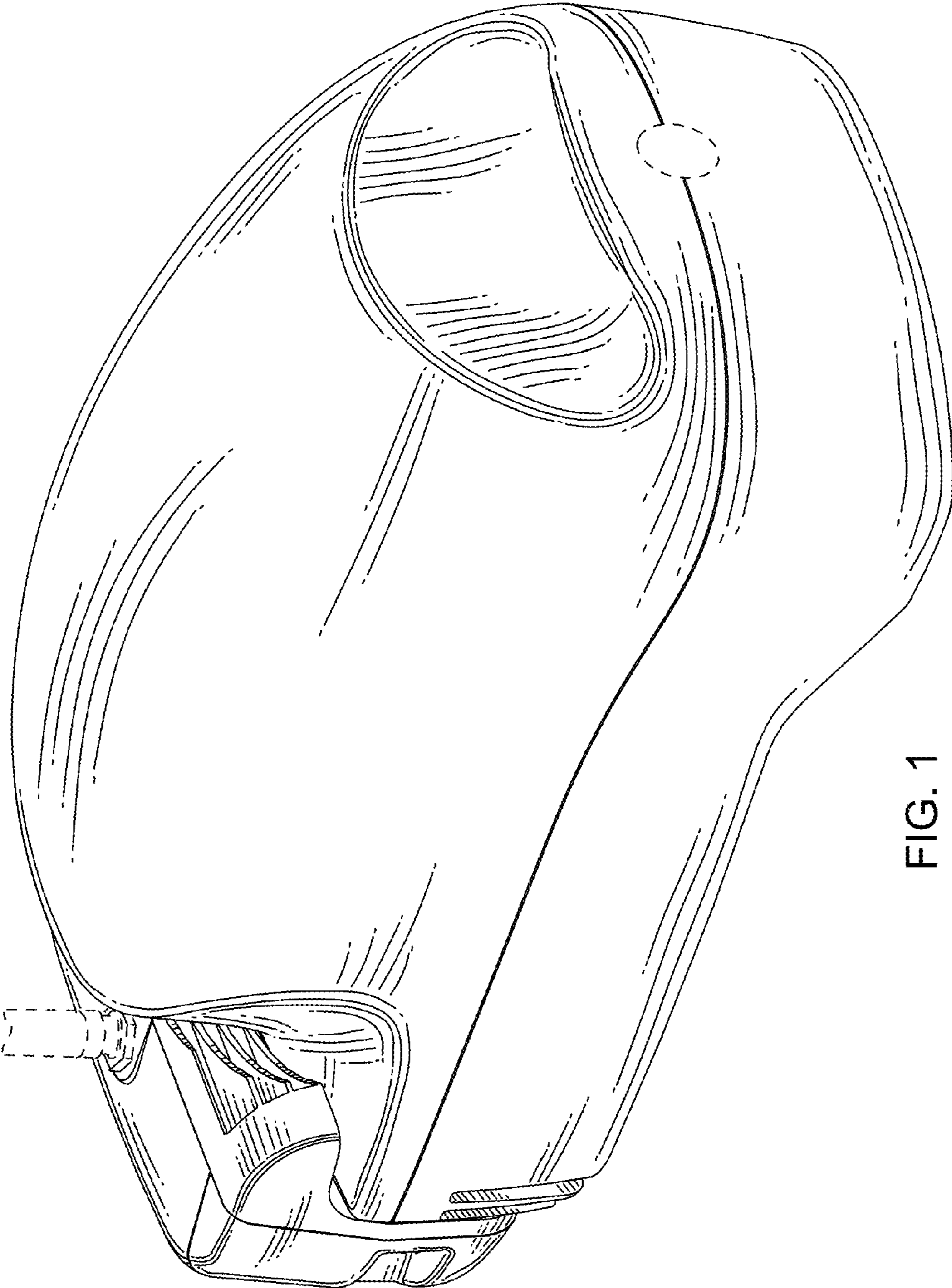


FIG. 1

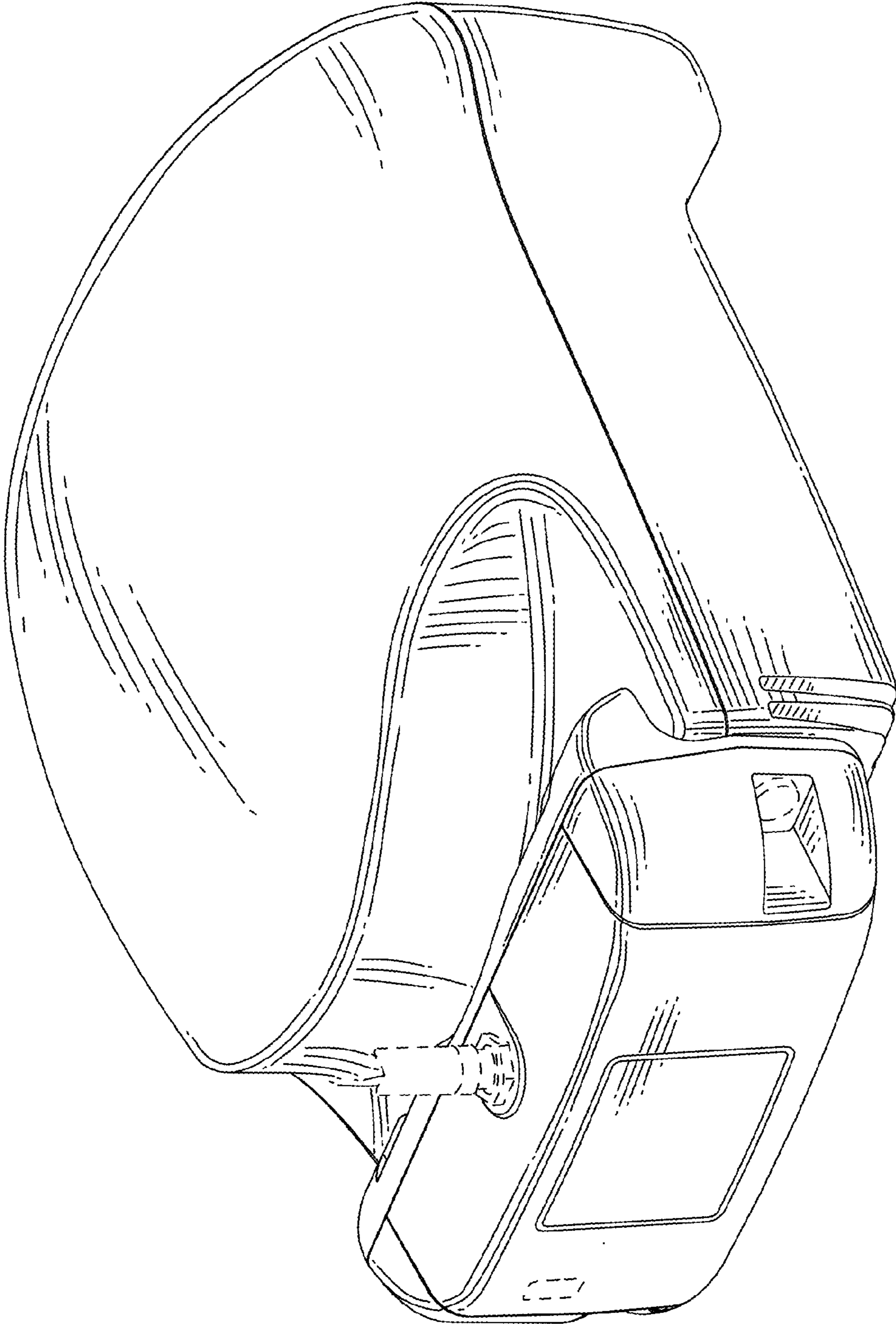


FIG. 2

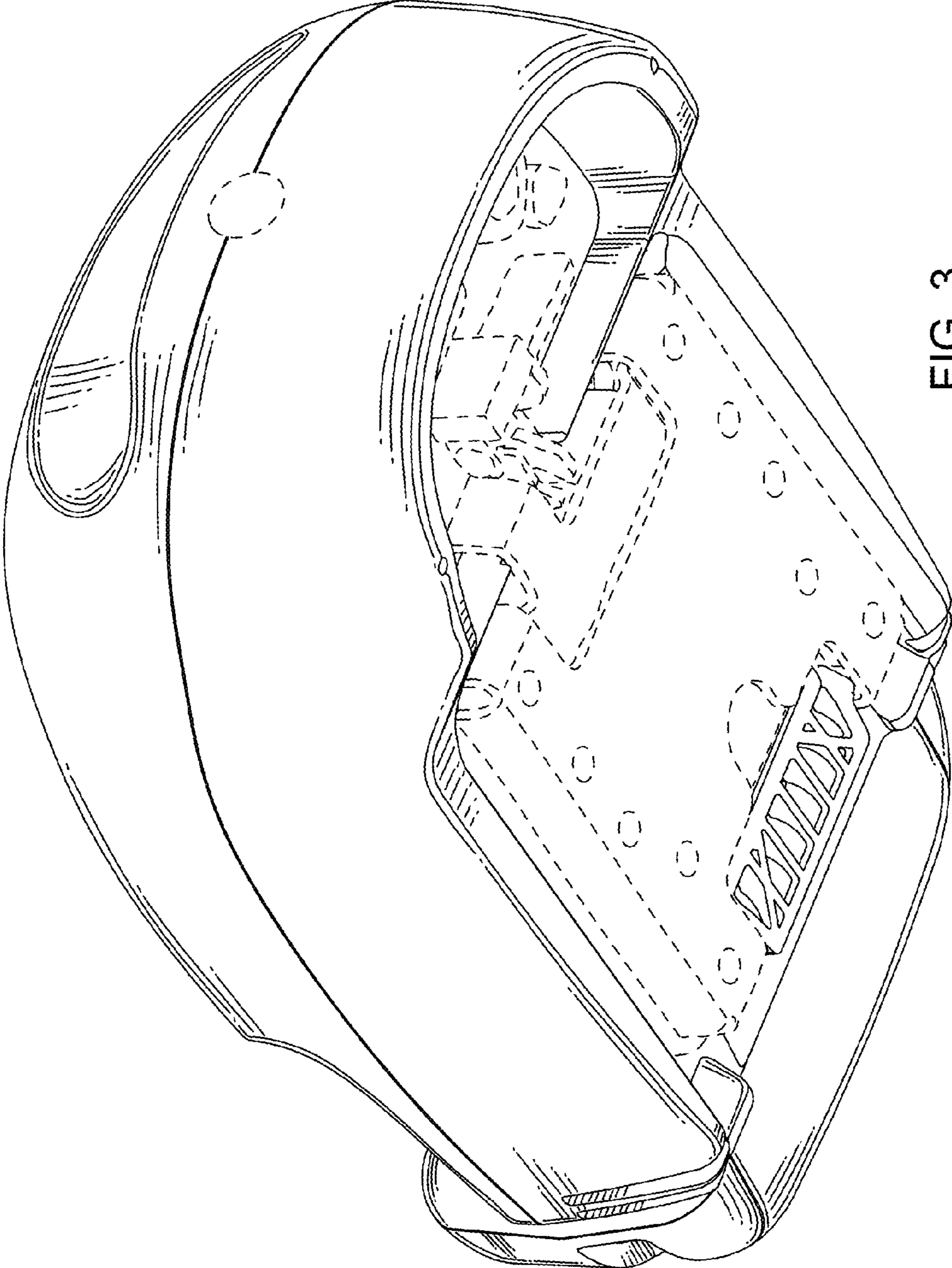


FIG. 3

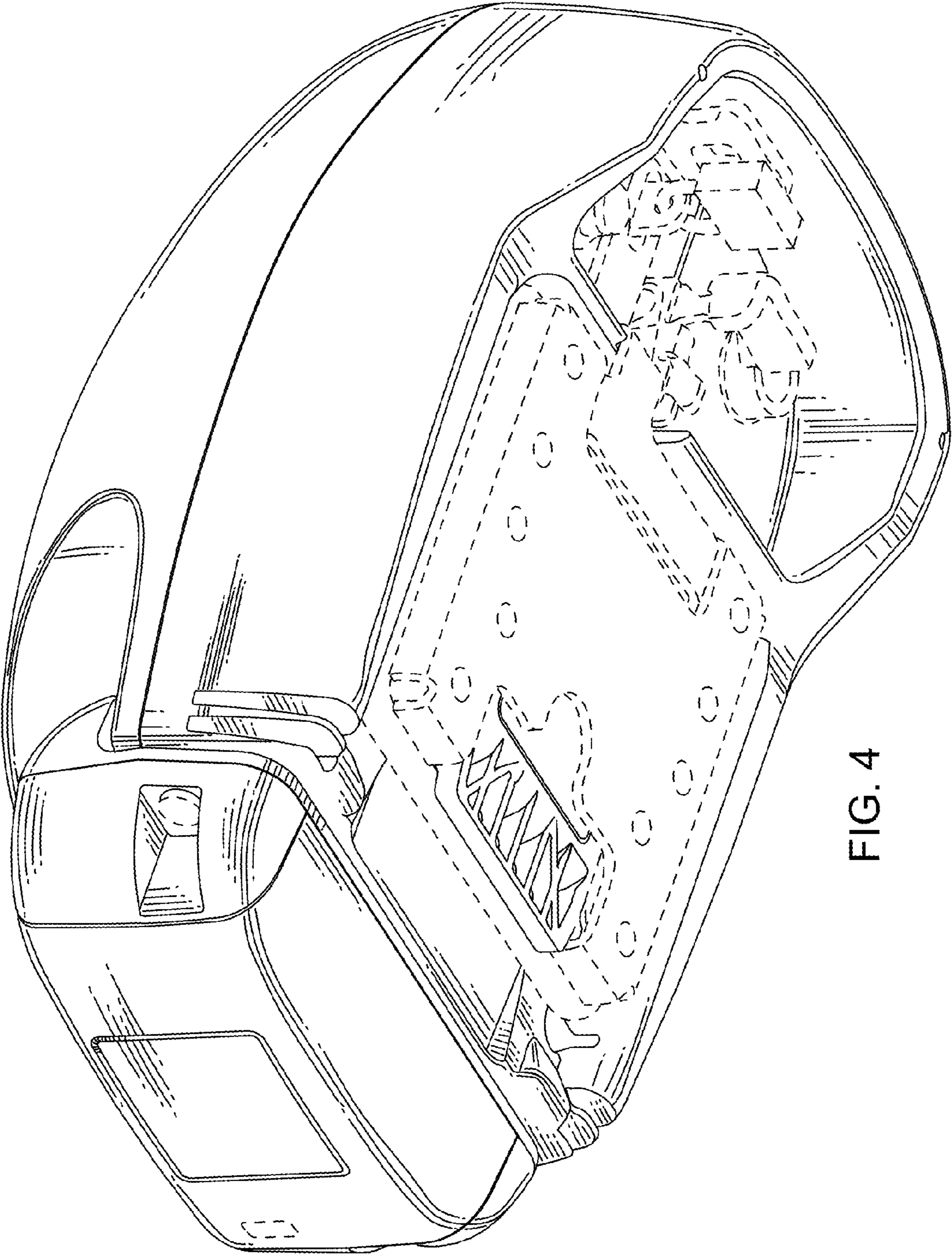


FIG. 4

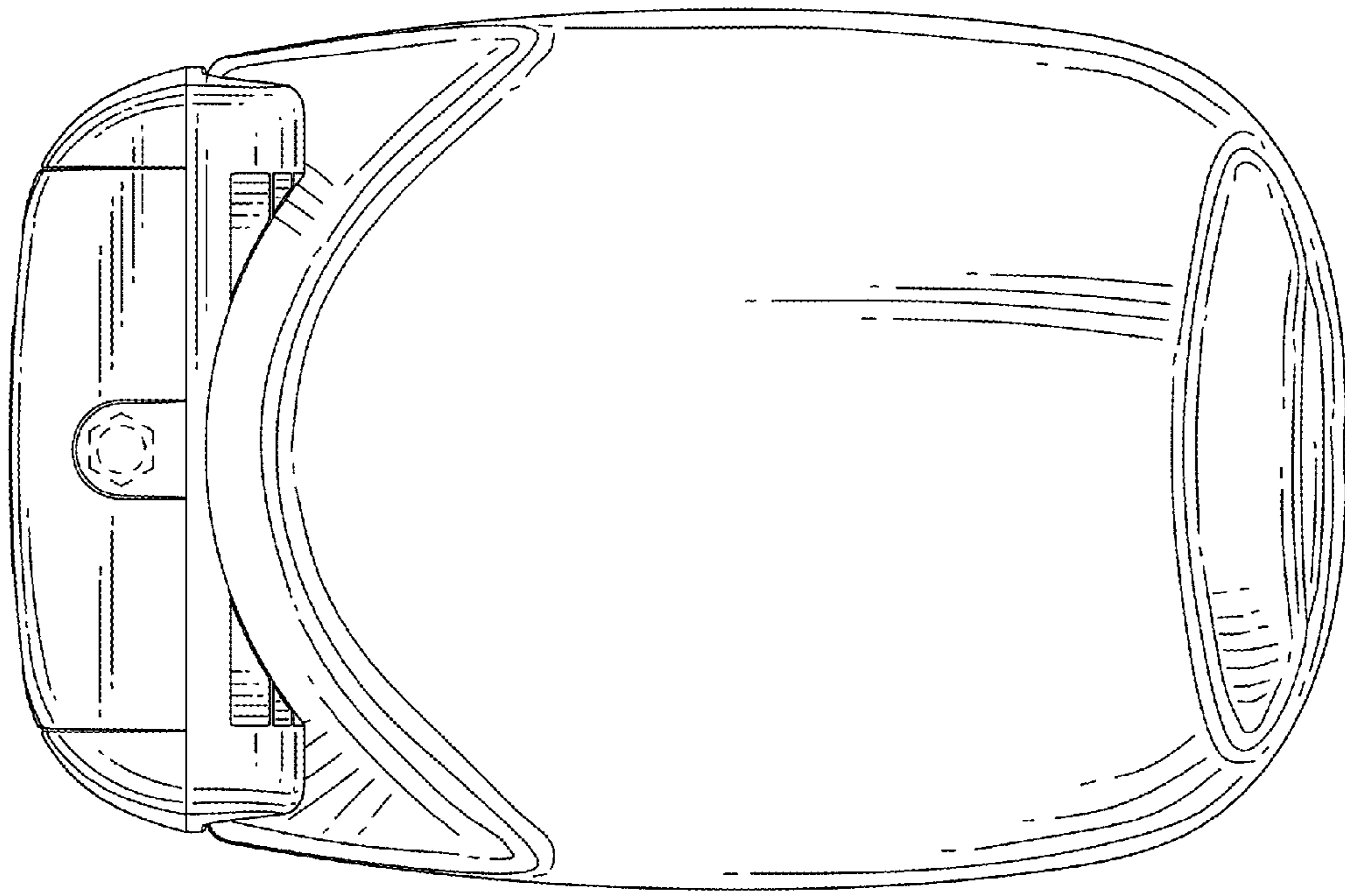


FIG. 5

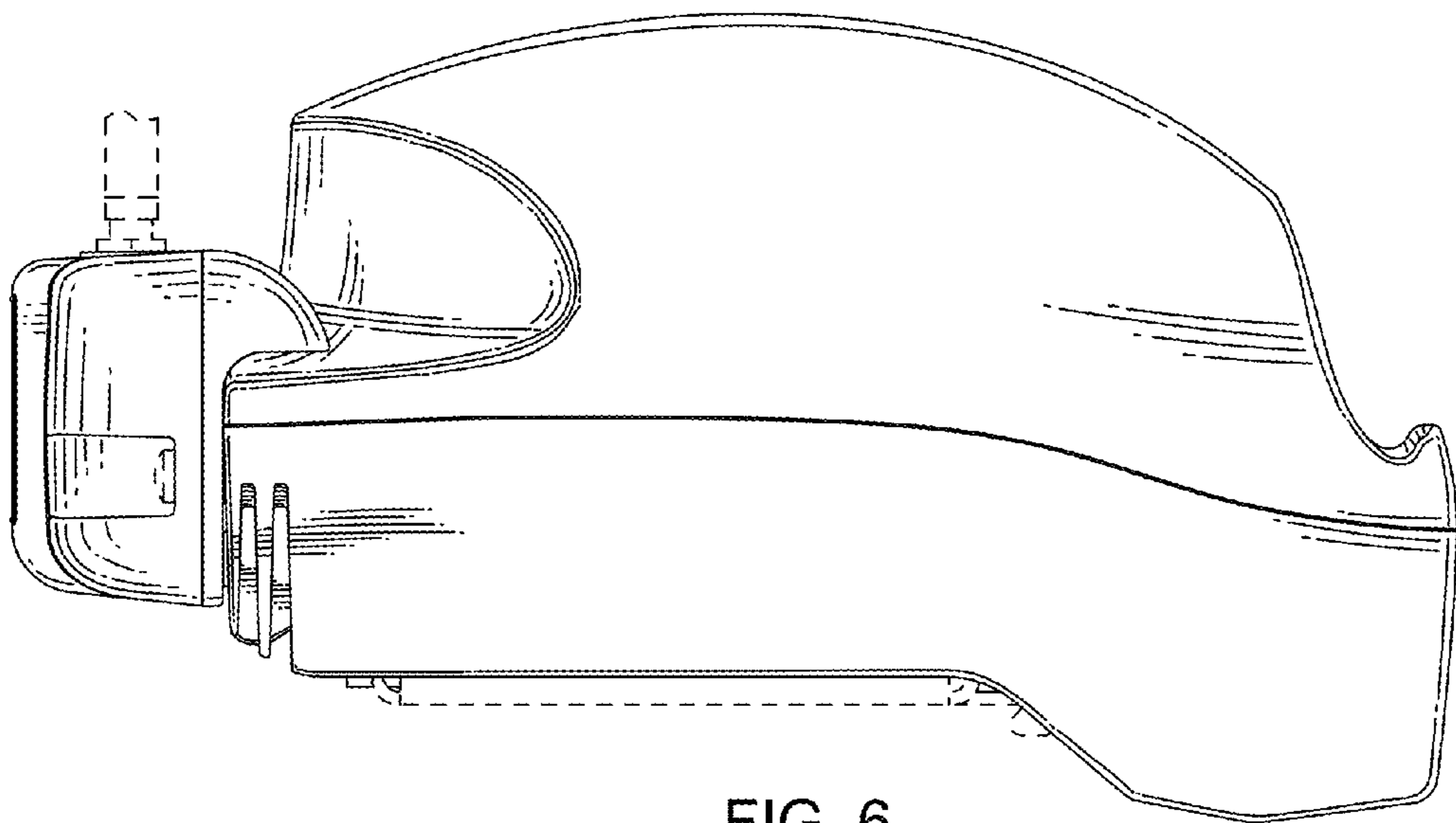


FIG. 6

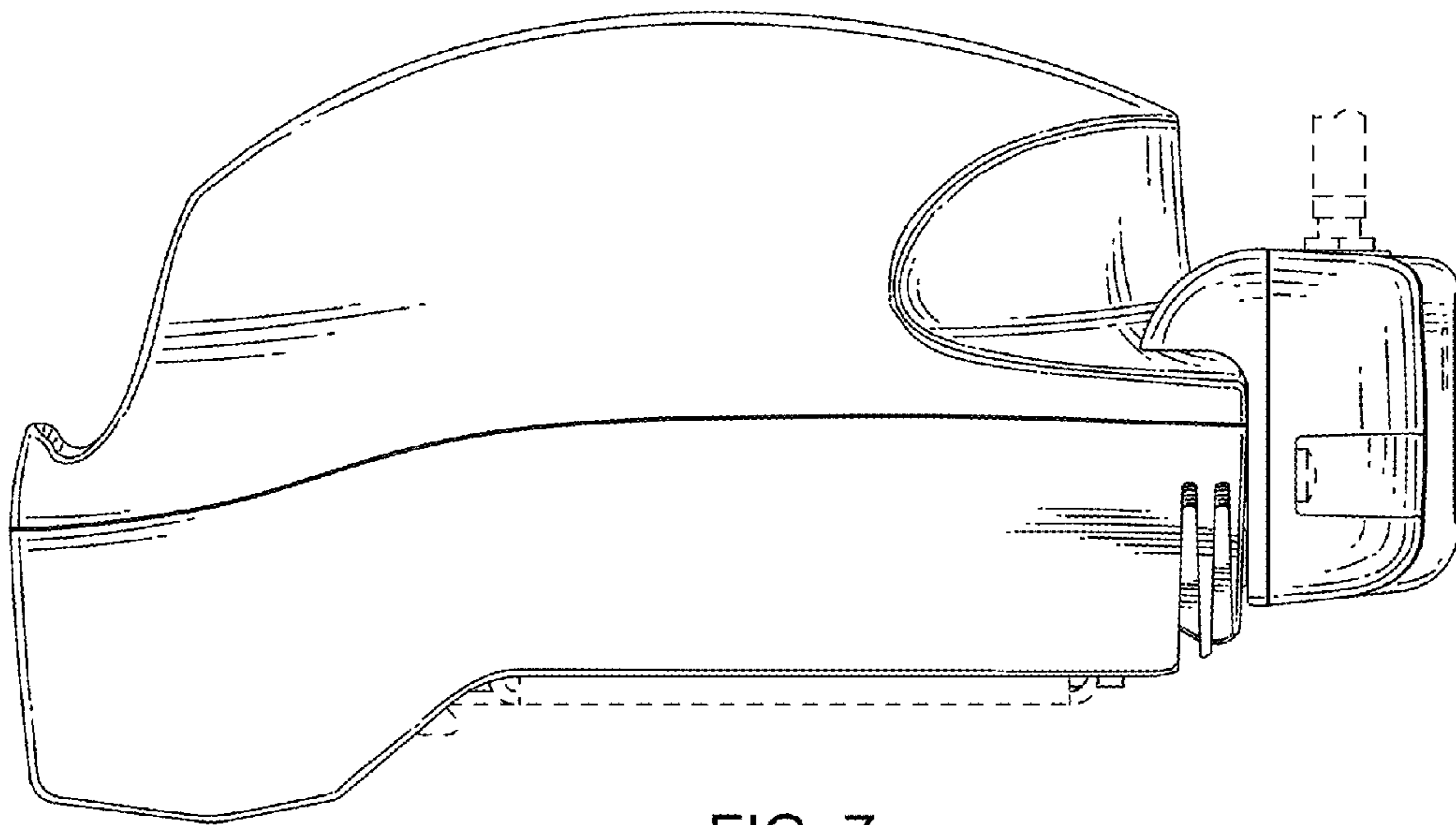


FIG. 7

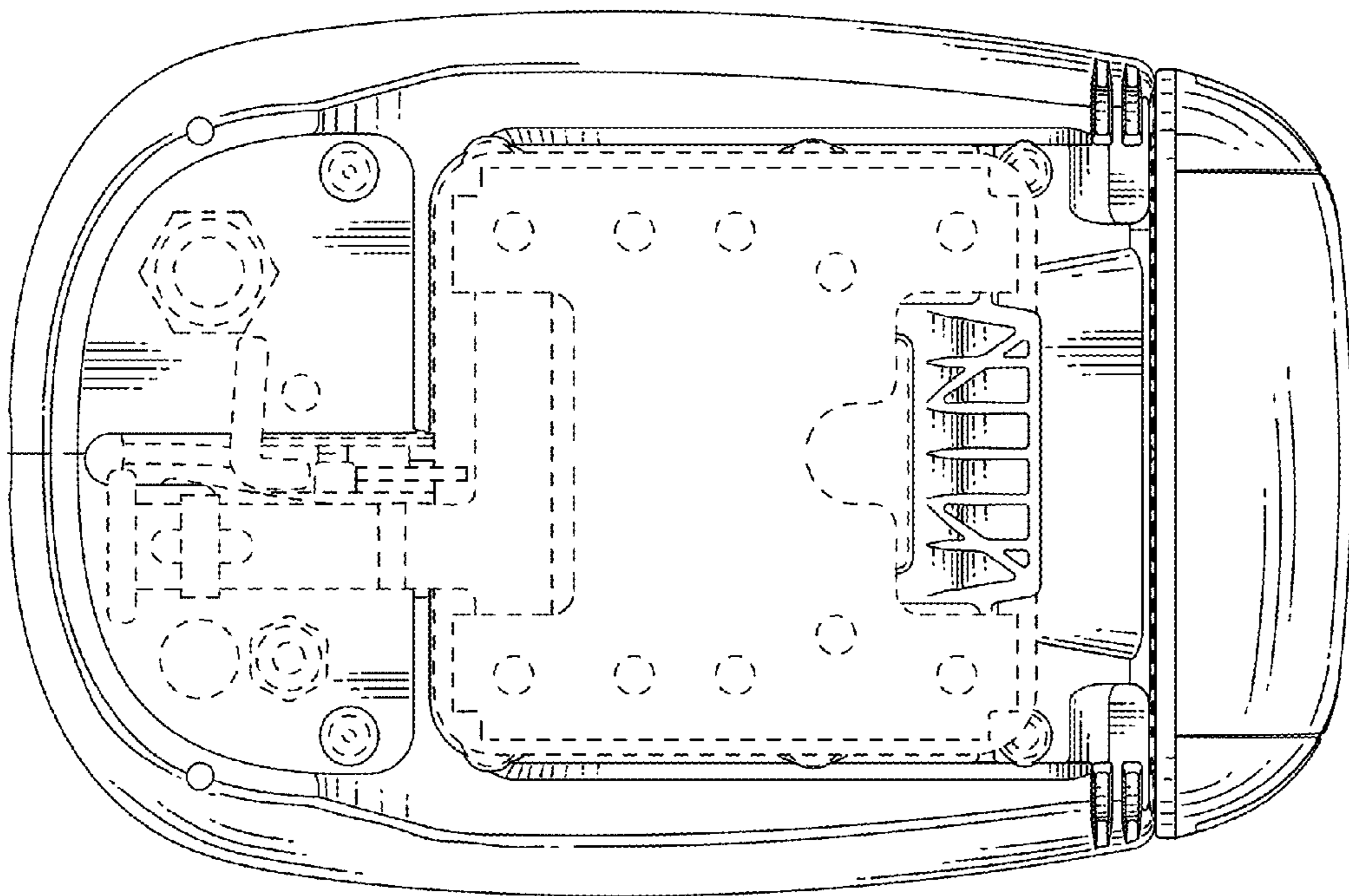


FIG. 8



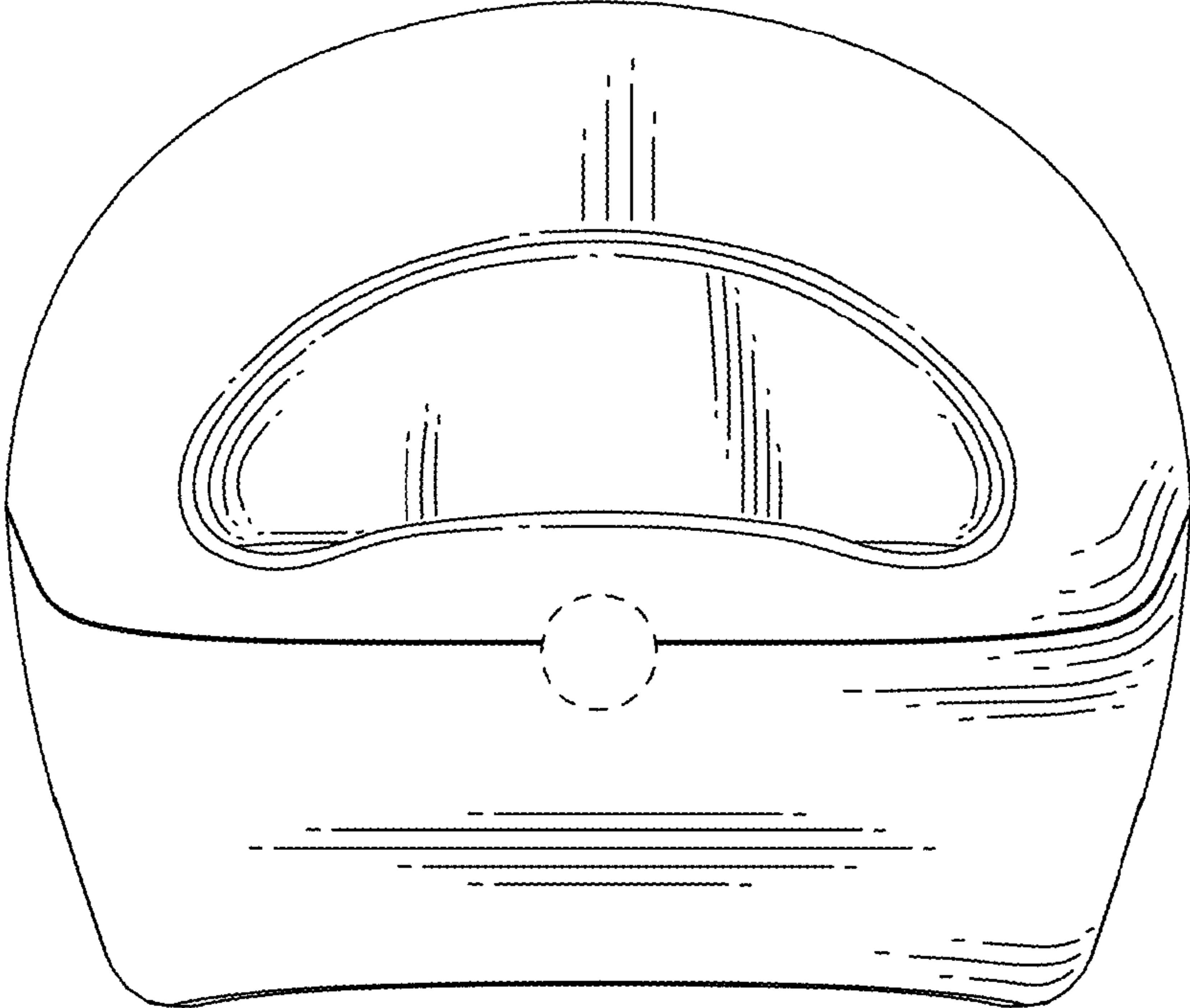


FIG. 9

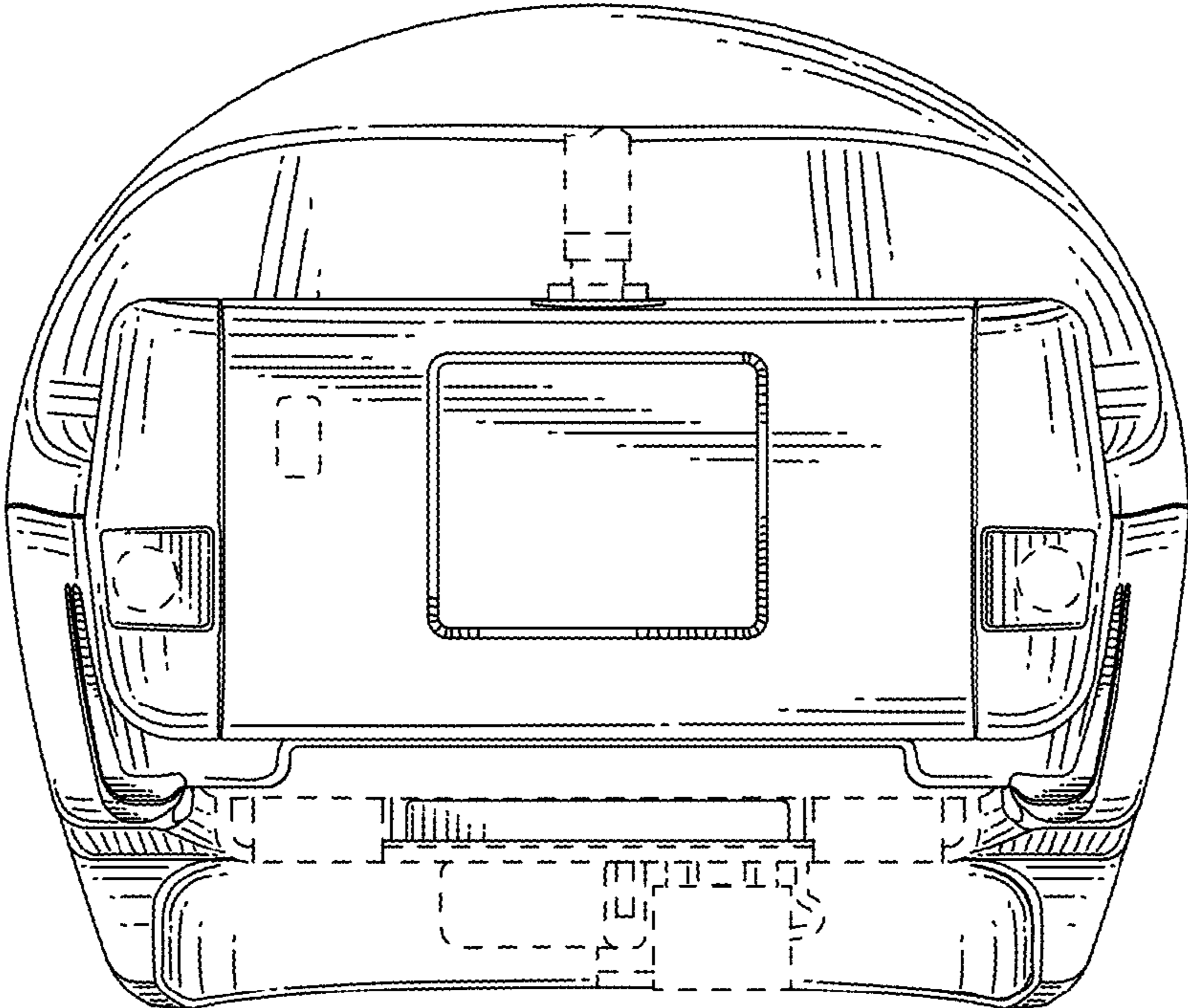


FIG. 10