



US00D728389S

(12) **United States Design Patent**  
**Bicknell et al.**

(10) **Patent No.:** **US D728,389 S**  
(45) **Date of Patent:** **\*\* May 5, 2015**

(54) **THERMOMETER AND CASE**

(71) Applicant: **Kindara, Inc.**, Boulder, CO (US)  
(72) Inventors: **Katherine Bicknell**, Boulder, CO (US);  
**William Sacks**, Boulder, CO (US)  
(73) Assignee: **Kindara, Inc.**, Boulder, CO (US)  
(\*\*) Term: **14 Years**

(21) Appl. No.: **29/504,498**

(22) Filed: **Oct. 7, 2014**

**Related U.S. Application Data**

(63) Continuation of application No. 29/471,543, filed on Nov. 1, 2013.

(51) **LOC (10) Cl.** ..... **10-04**

(52) **U.S. Cl.**  
USPC ..... **D10/57**

(58) **Field of Classification Search**

CPC ..... G01J 5/00–2005/626; G01K 1/00–1/26;  
G01K 3/00–2003/145; G01K 5/00–5/72;  
G01K 7/00–7/427; G01K 9/00; G01K  
11/00–2011/324; G01K 13/00–13/125; G01K  
15/00–15/007

USPC ..... D10/57, 58, 60

See application file for complete search history.

(56) **References Cited**

**U.S. PATENT DOCUMENTS**

D506,688 S \* 6/2005 Rund ..... D10/57  
D685,658 S \* 7/2013 Shibata et al. .... D10/57

*Primary Examiner* — Antoine D Davis

(74) *Attorney, Agent, or Firm* — Wolf, Greenfield & Sacks,  
P.C.

(57) **CLAIM**

The ornamental design for a thermometer and case, as shown and described.

**DESCRIPTION**

FIG. 1 is a front, left perspective view of a first embodiment of the thermometer and case;

FIG. 2 is a front elevational view of the first embodiment of FIG. 1;

FIG. 3 is a back elevational view of the first embodiment of FIG. 1;

FIG. 4 is a left-side elevational view of the first embodiment of FIG. 1;

FIG. 5 is a right-side elevational view of the first embodiment of FIG. 1;

FIG. 6 is a bottom plan view of the first embodiment of FIG. 1;

FIG. 7 is a top plan view of the first embodiment of FIG. 1;

FIG. 8 is a front, left perspective view of a second embodiment of the thermometer and case;

FIG. 9 is a front elevational view of the second embodiment of FIG. 8;

FIG. 10 is a back elevational view of the second embodiment of FIG. 8;

FIG. 11 is a left-side elevational view of the second embodiment of FIG. 8;

FIG. 12 is a right-side elevational view of the second embodiment of FIG. 8;

FIG. 13 is a bottom plan view of the second embodiment of FIG. 8;

FIG. 14 is a top plan view of the second embodiment of FIG. 8;

FIG. 15 is a front, left perspective view of a third embodiment of the thermometer and case;

FIG. 16 is a front elevational view of the third embodiment of FIG. 15;

FIG. 17 is a back elevational view of the third embodiment of FIG. 15;

FIG. 18 is a left-side elevational view of the third embodiment of FIG. 15;

FIG. 19 is a right-side elevational view of the third embodiment of FIG. 15;

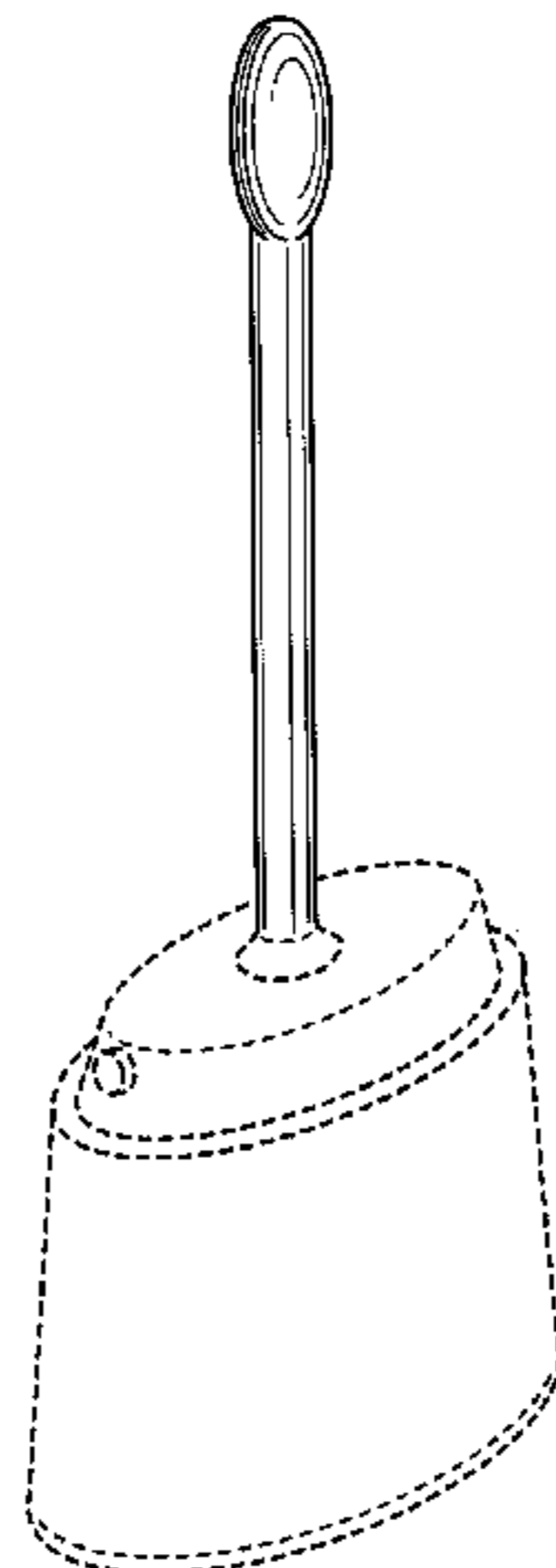
FIG. 20 is a top plan view of the third embodiment of FIG. 15; and,

FIG. 21 is a bottom plan view of the third embodiment of FIG. 15.

The article is shown with a symbolic break in its length and width. The appearance of any portion of the article between the break lines forms no part of the claimed design.

The broken lines shown are included for illustrative purposes only and form no part of the claimed design.

**1 Claim, 18 Drawing Sheets**



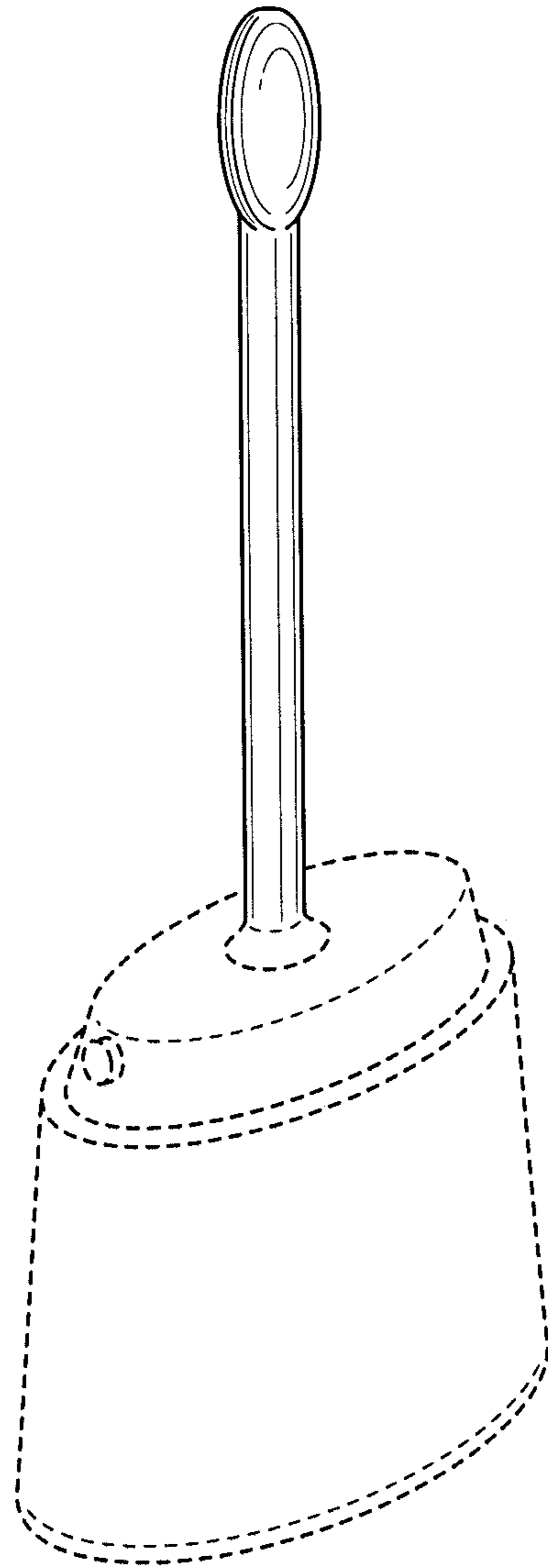


FIG. 1

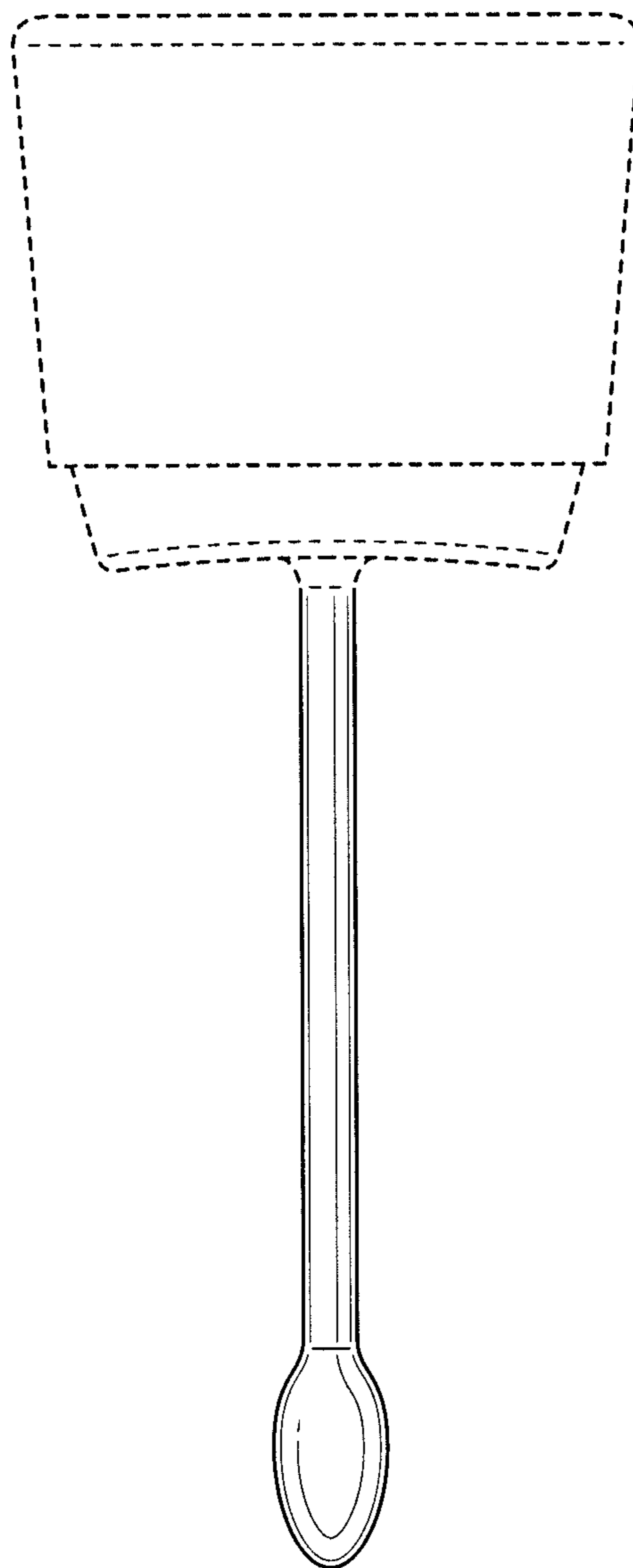


FIG. 2

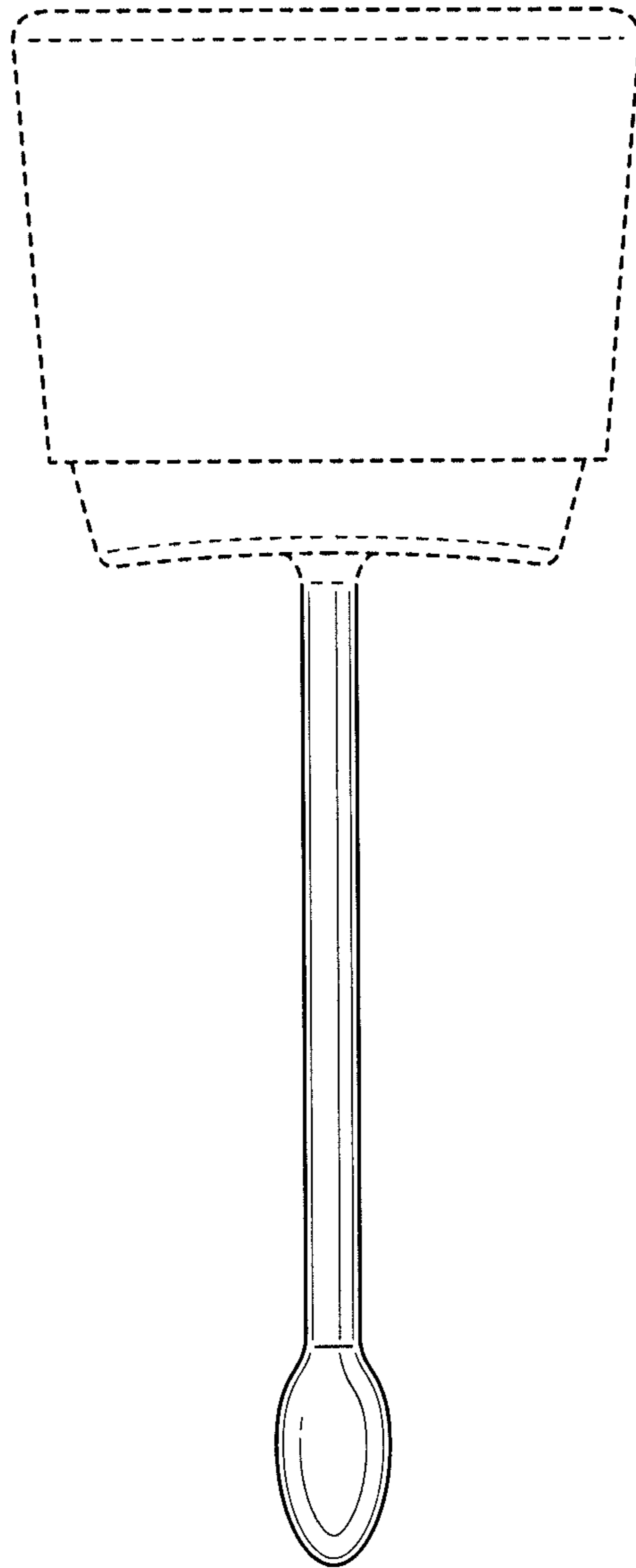


FIG. 3

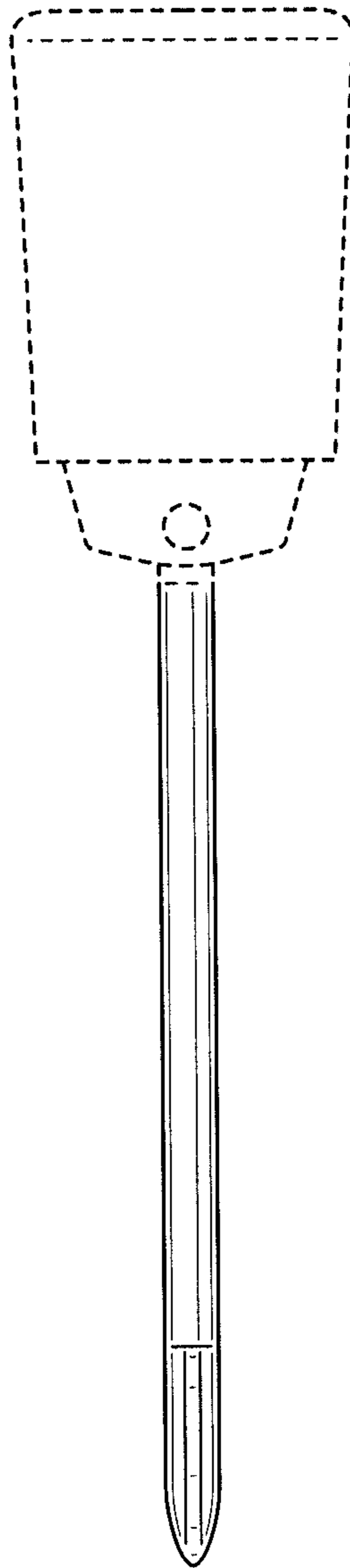


FIG. 4

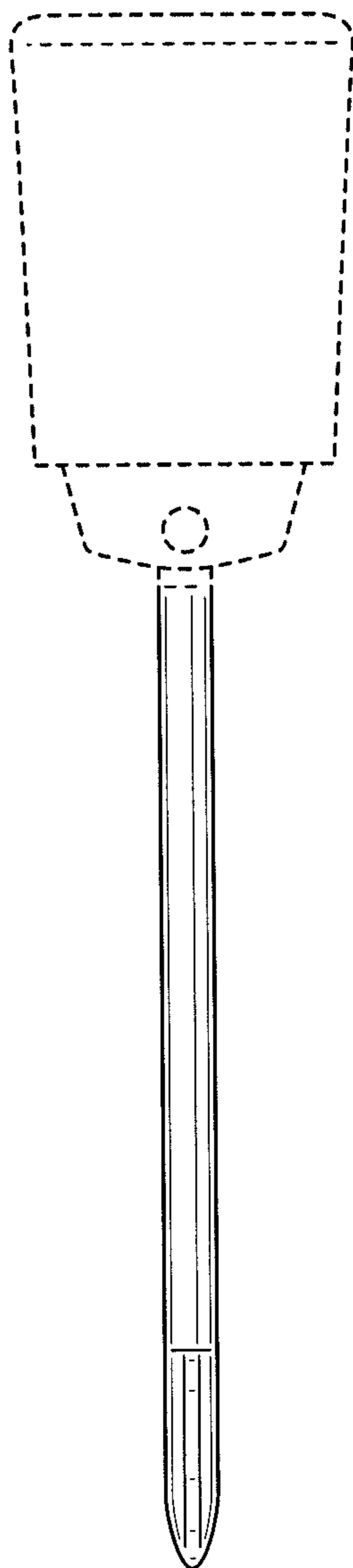


FIG. 5

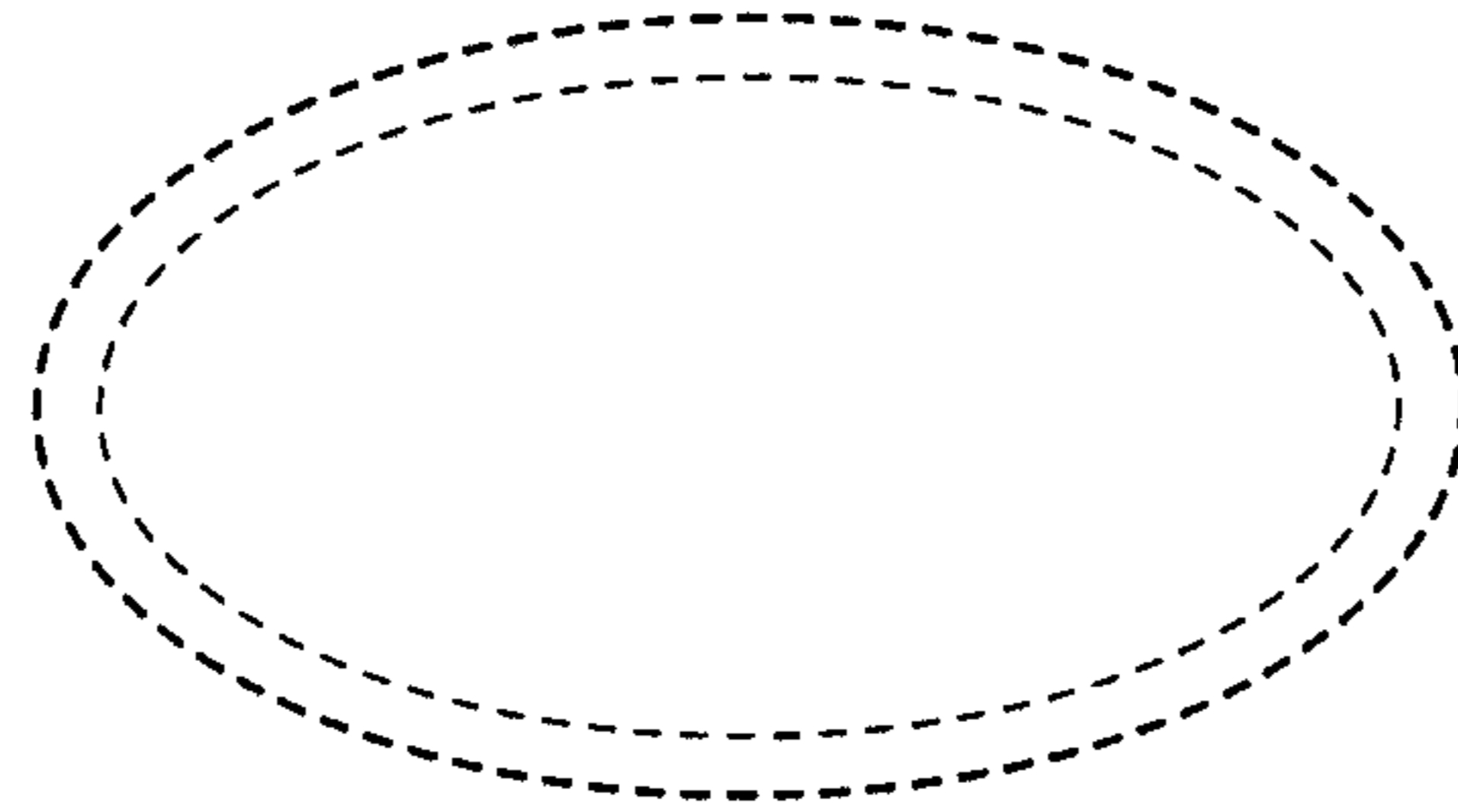


FIG. 6

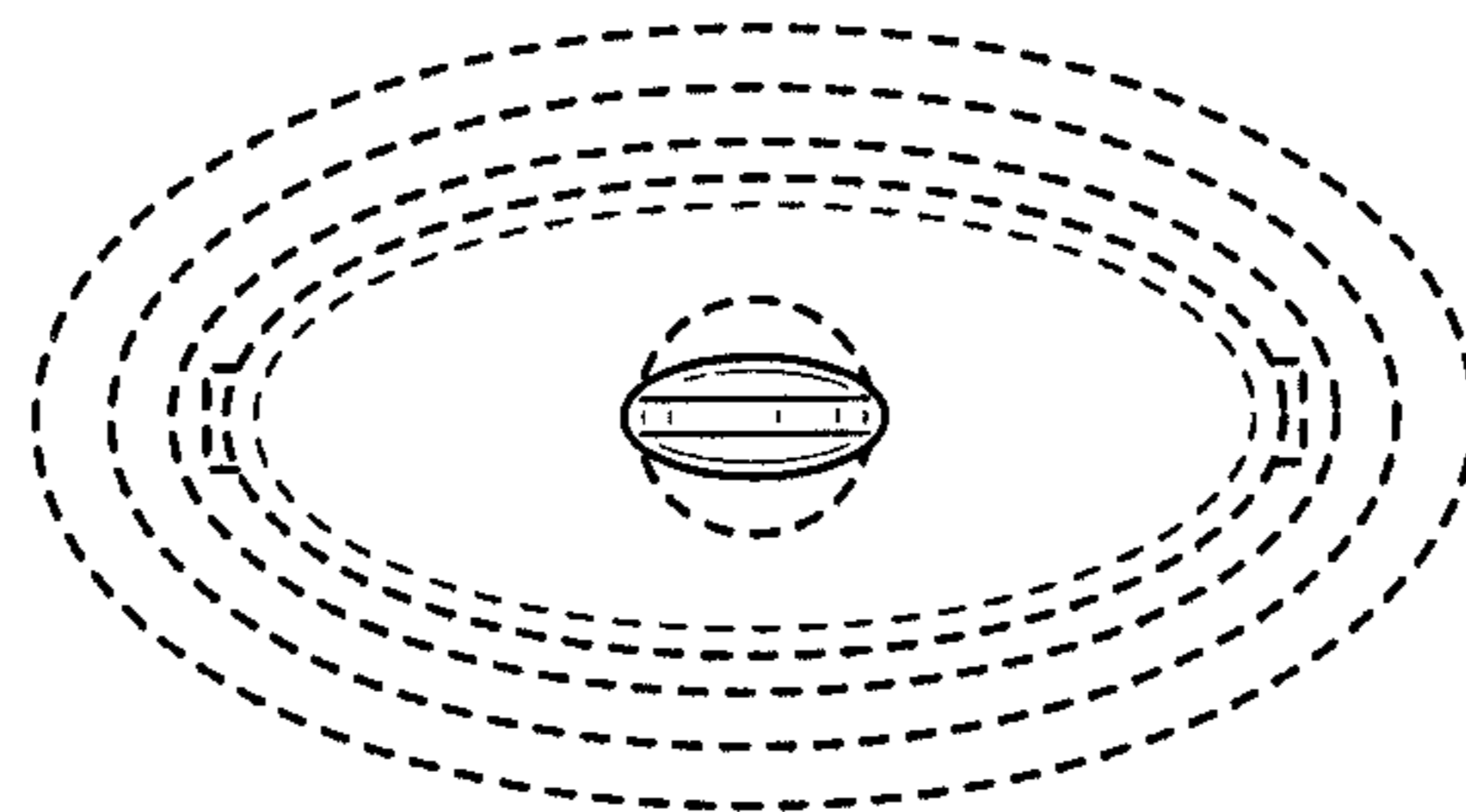


FIG. 7

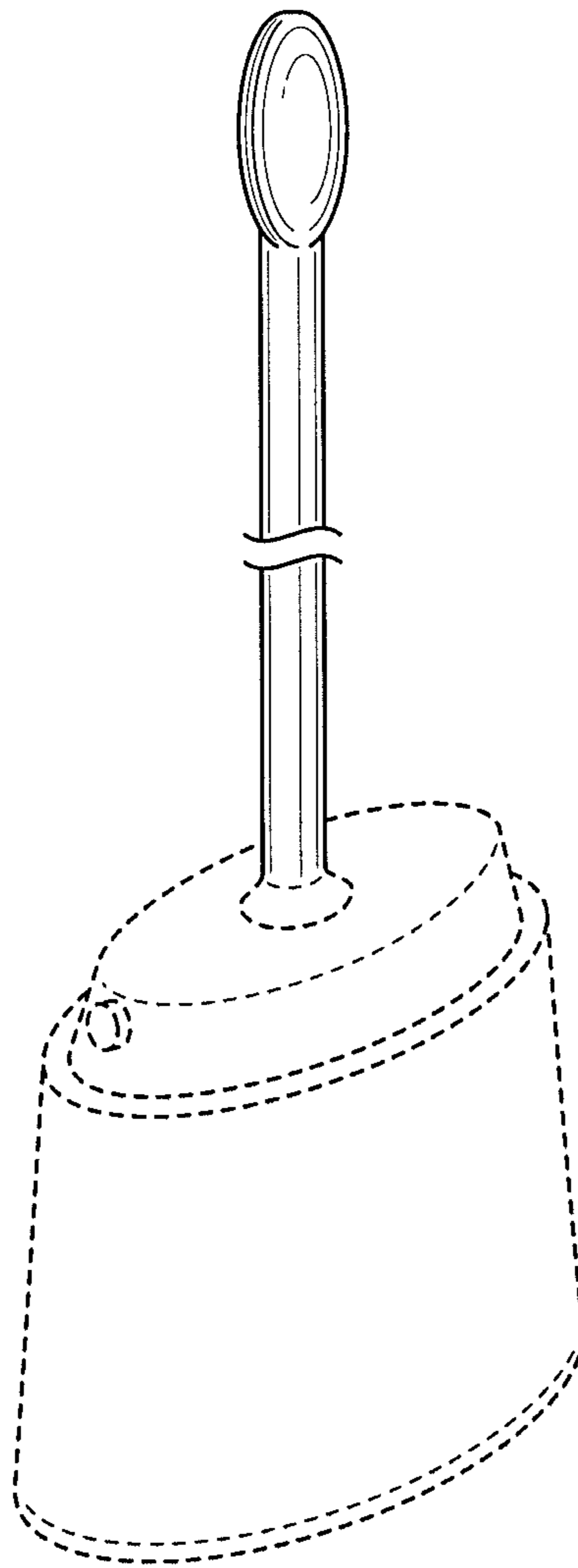


FIG. 8



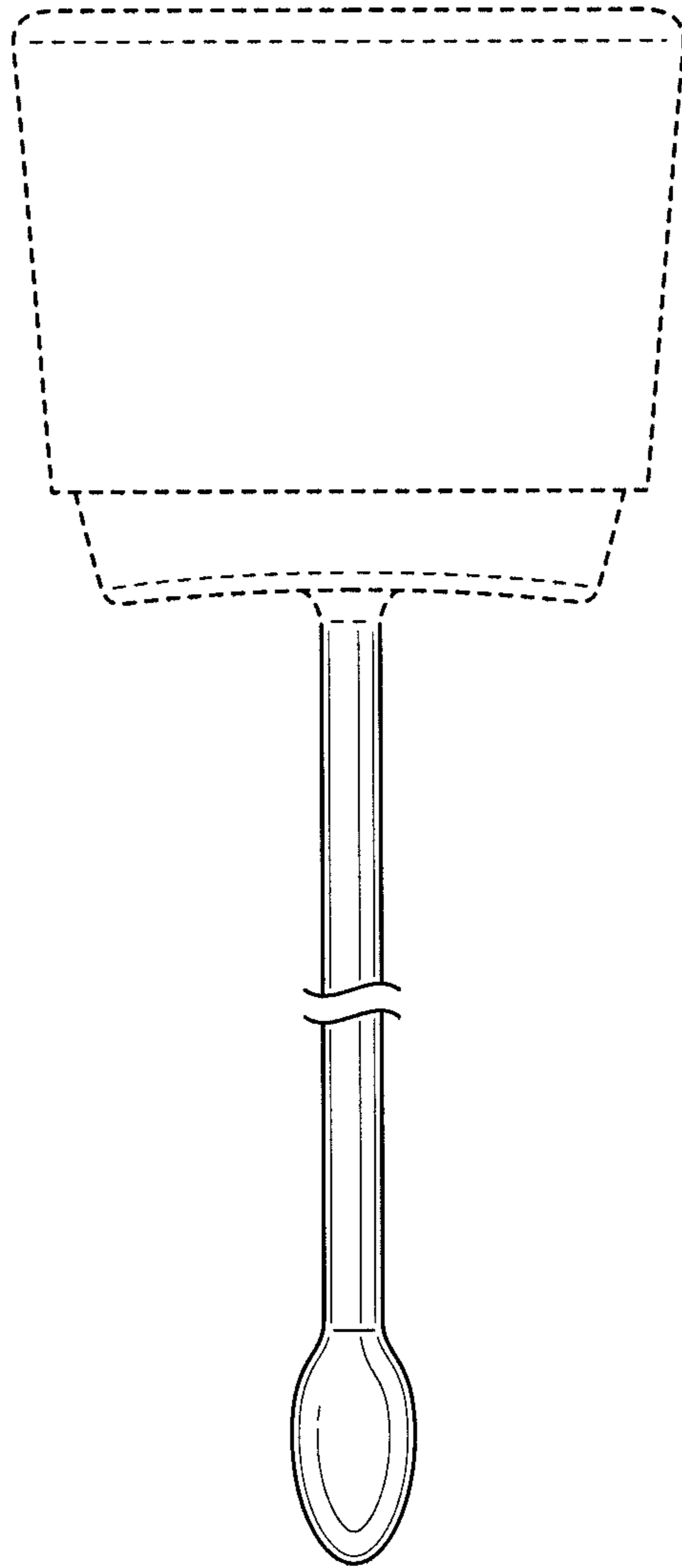


FIG. 9

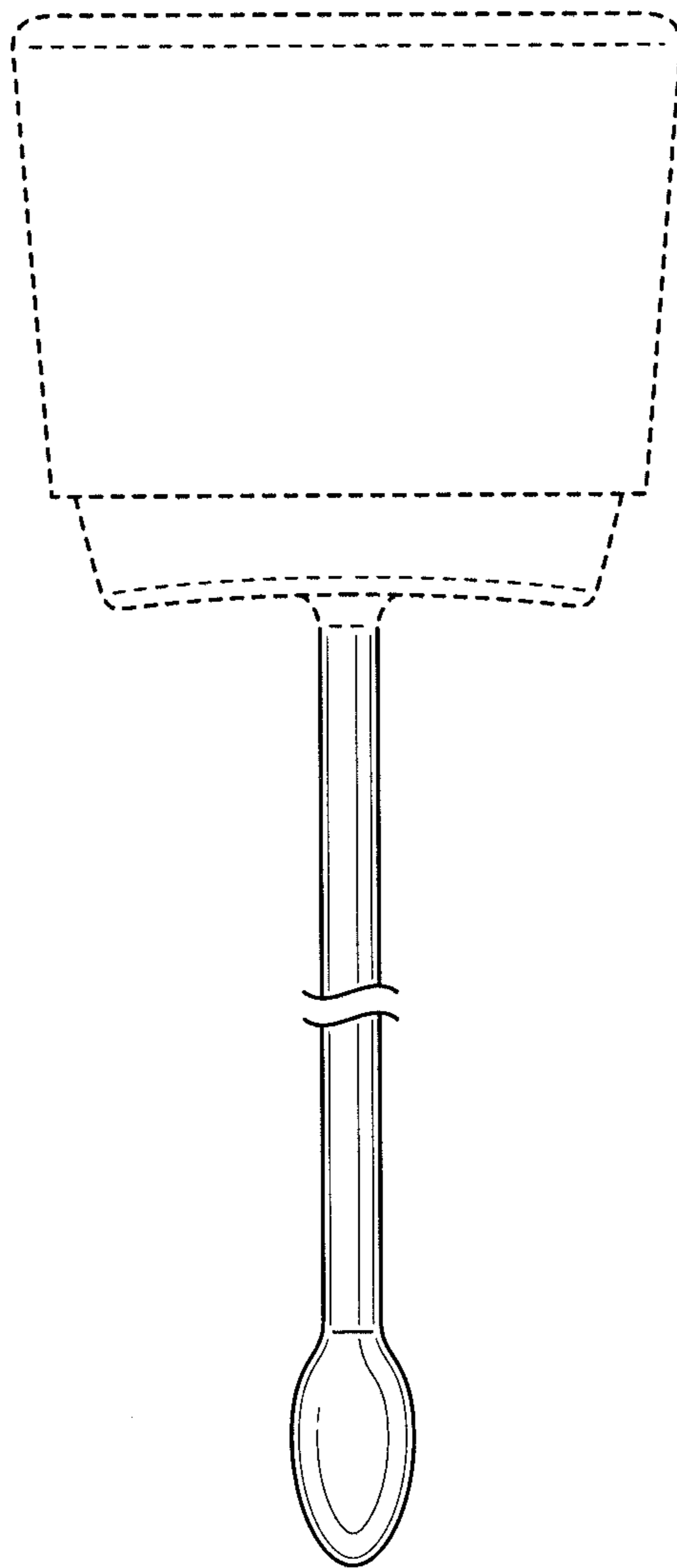


FIG. 10

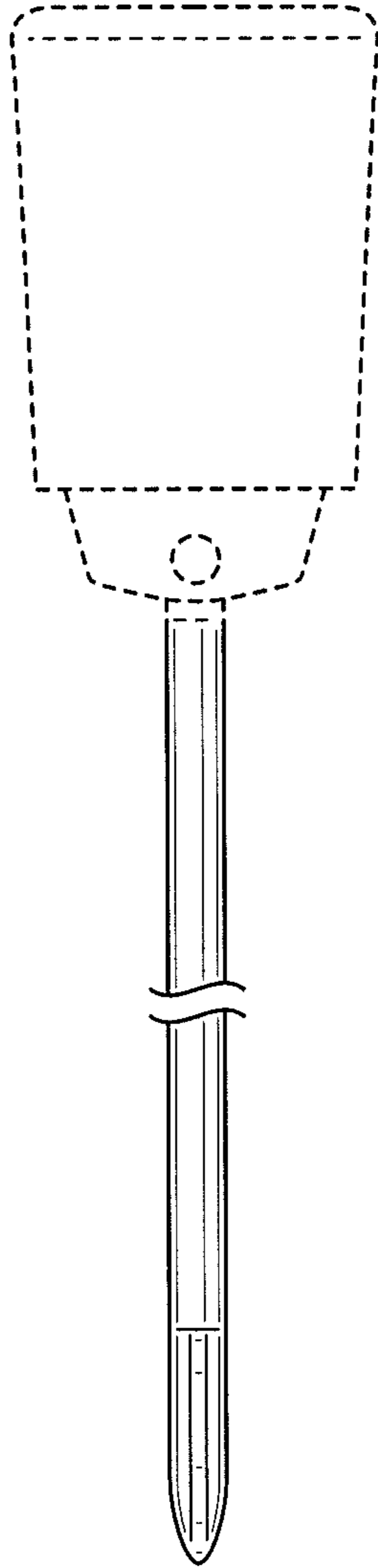


FIG. 11

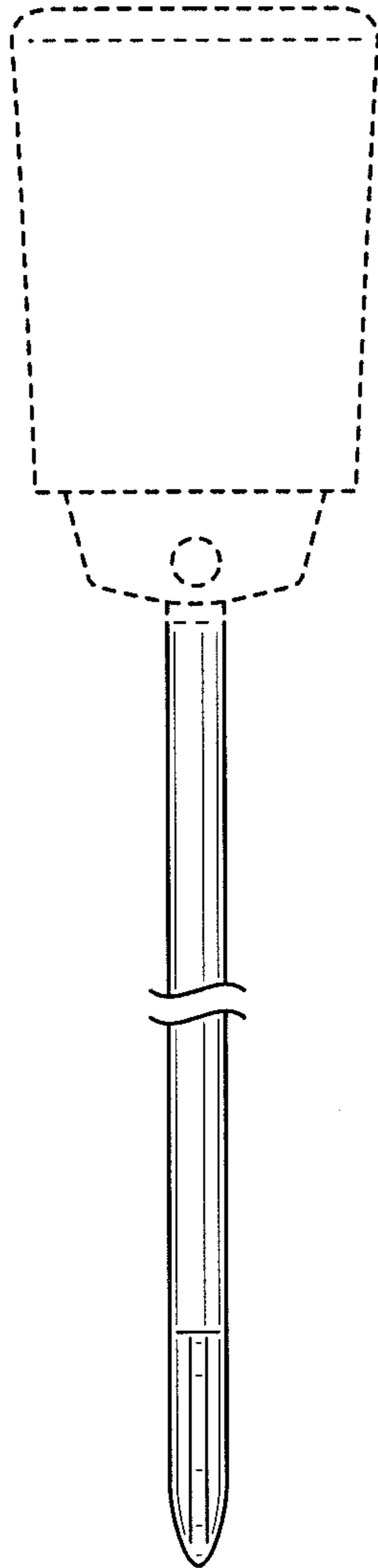


FIG. 12

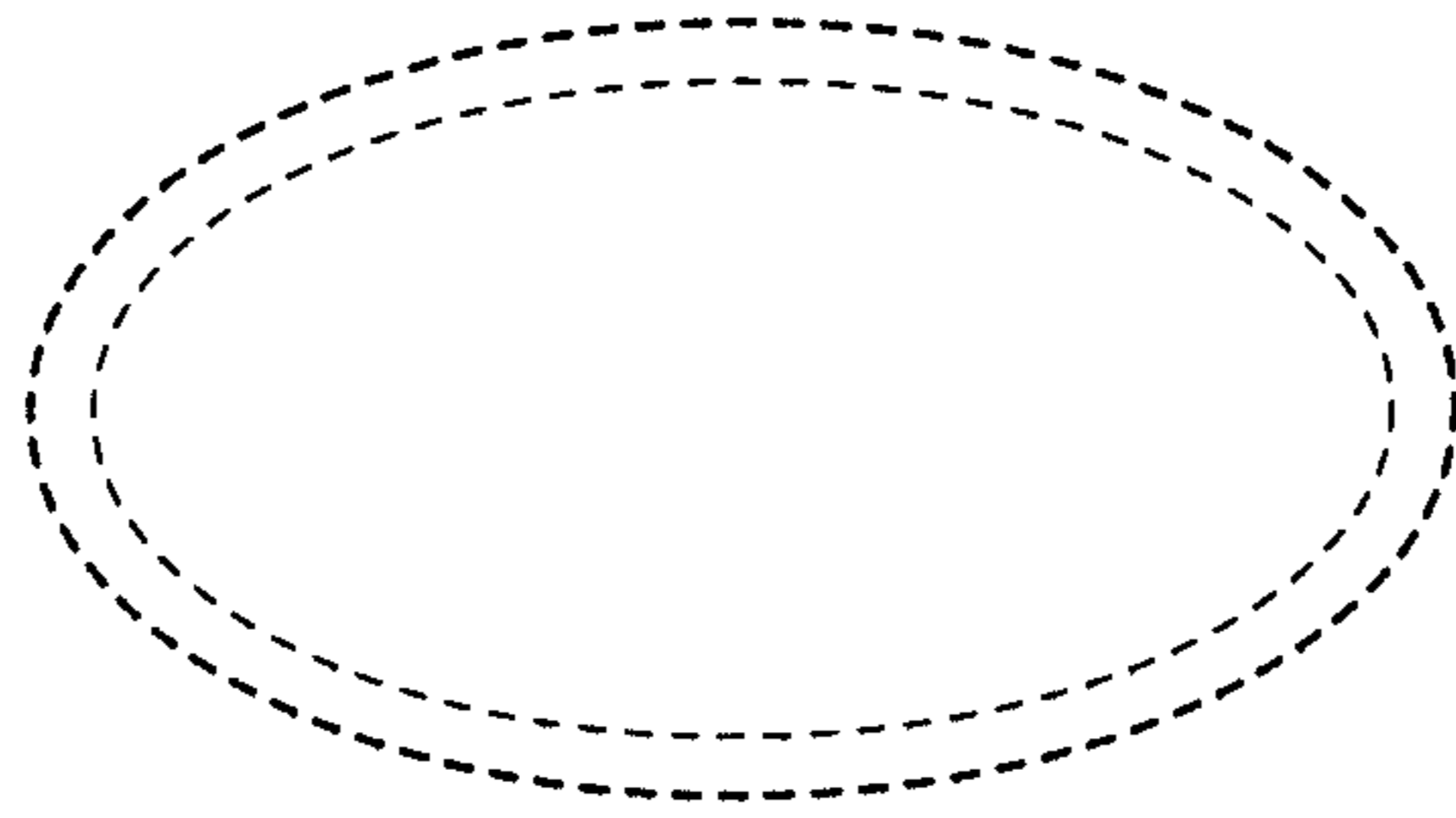


FIG. 13

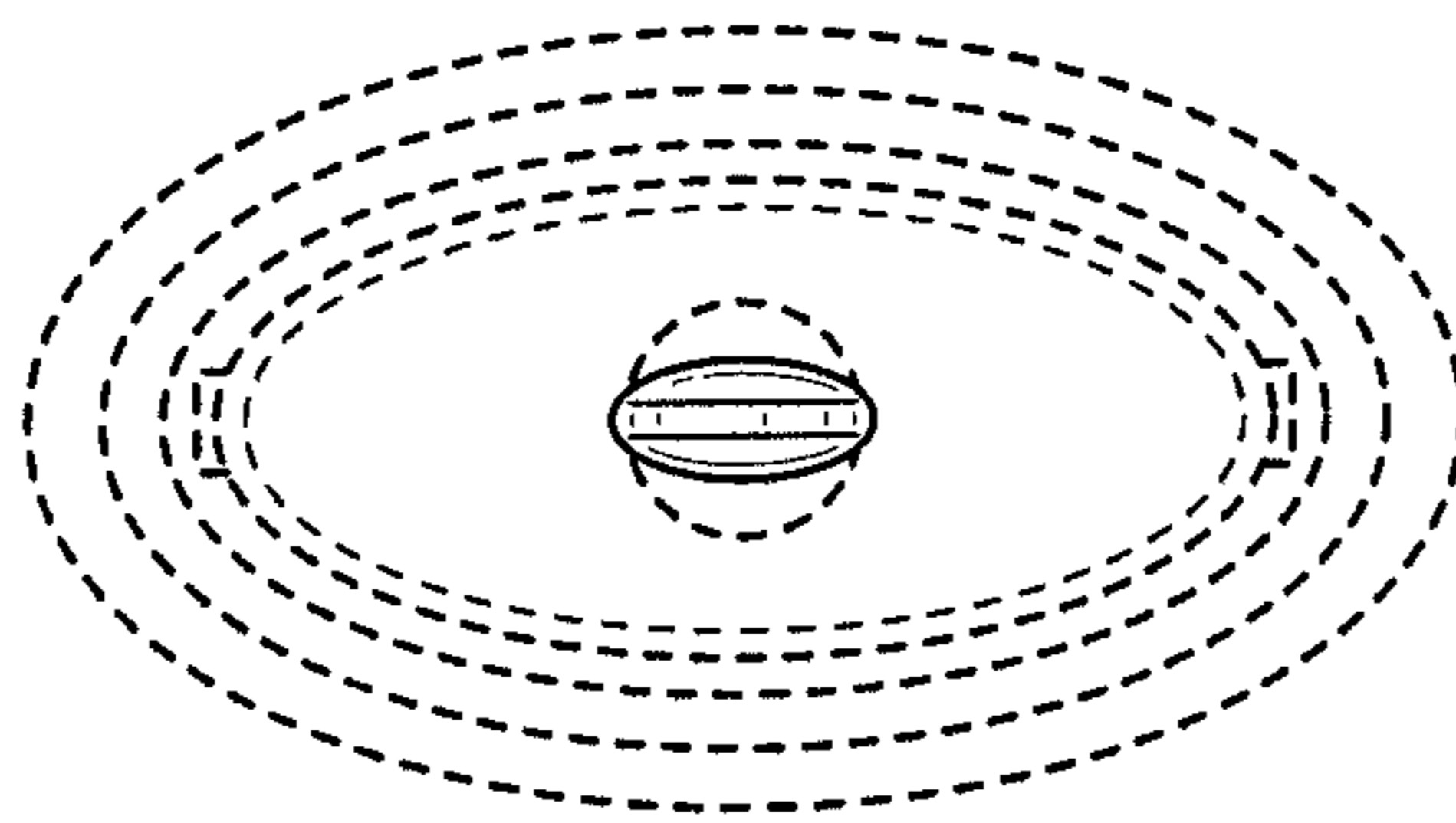


FIG. 14

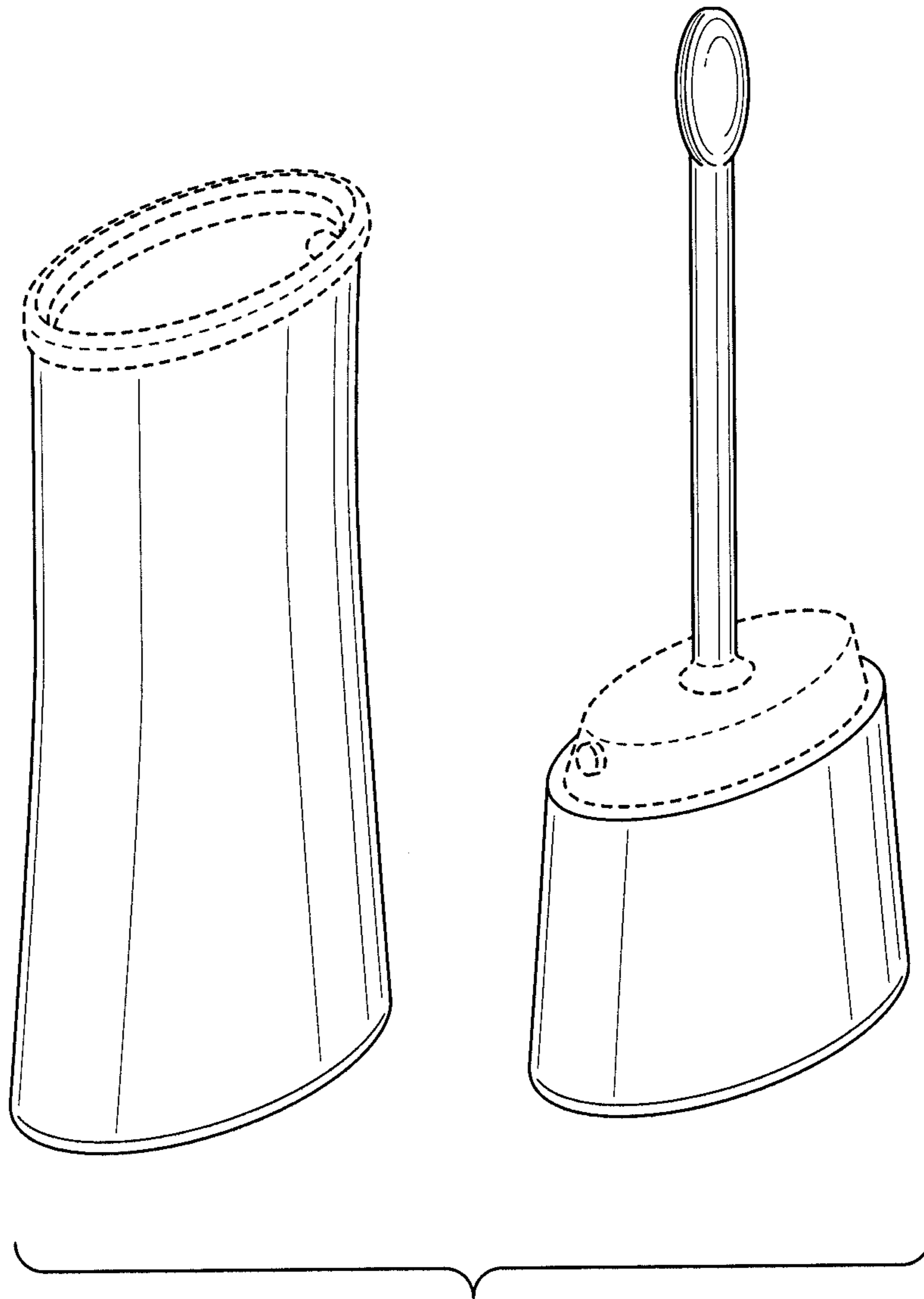


FIG. 15

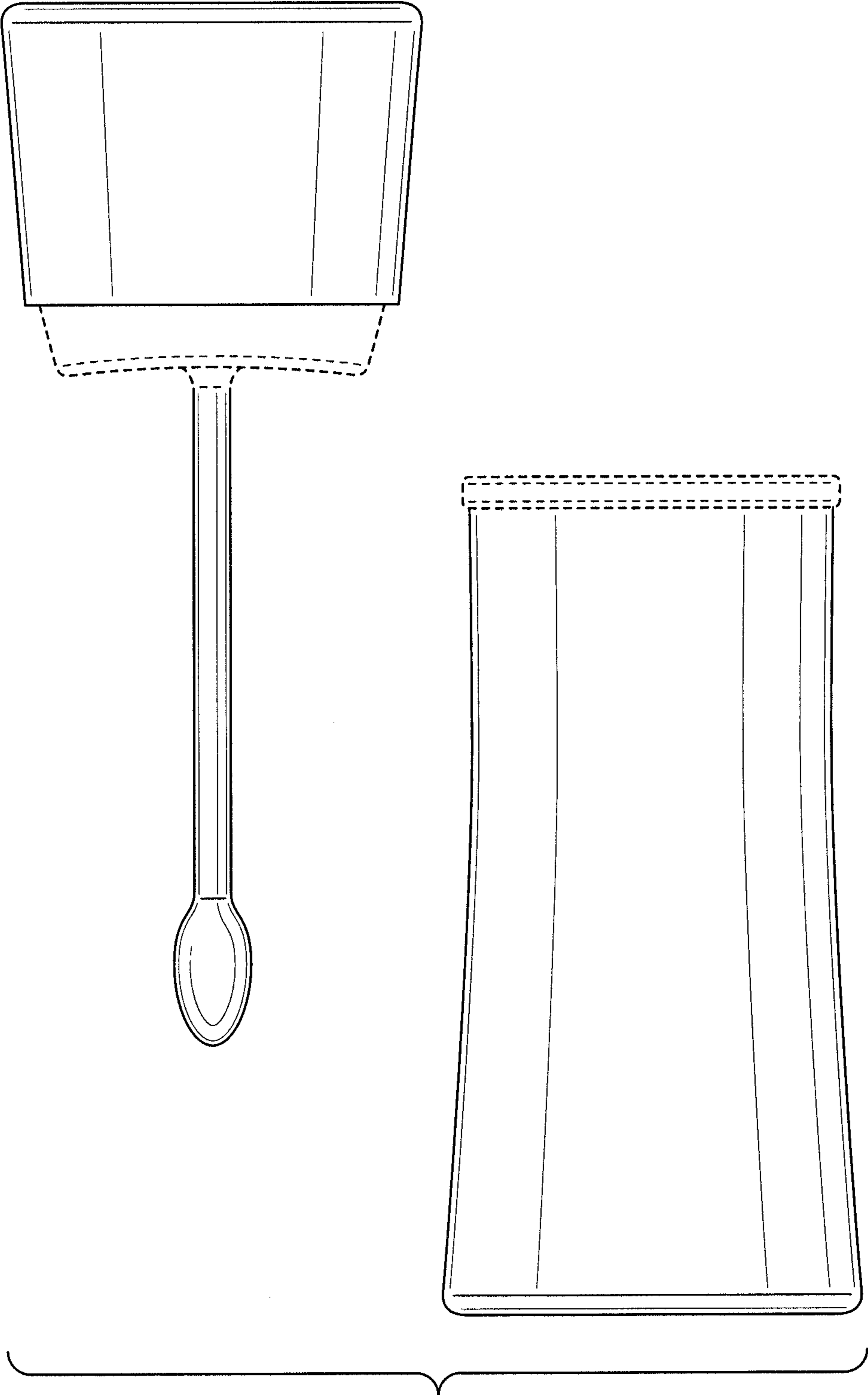


FIG. 16

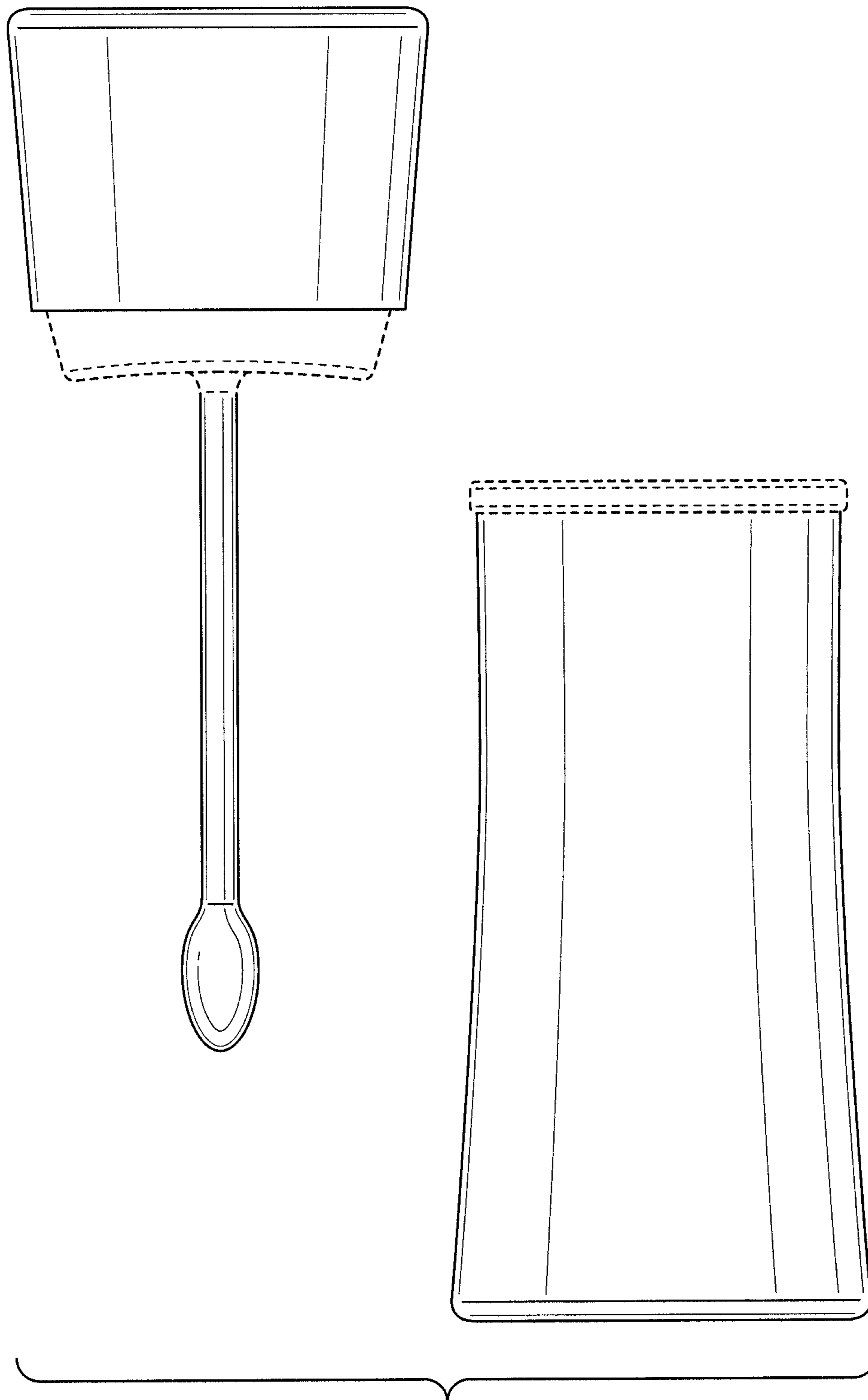


FIG. 17



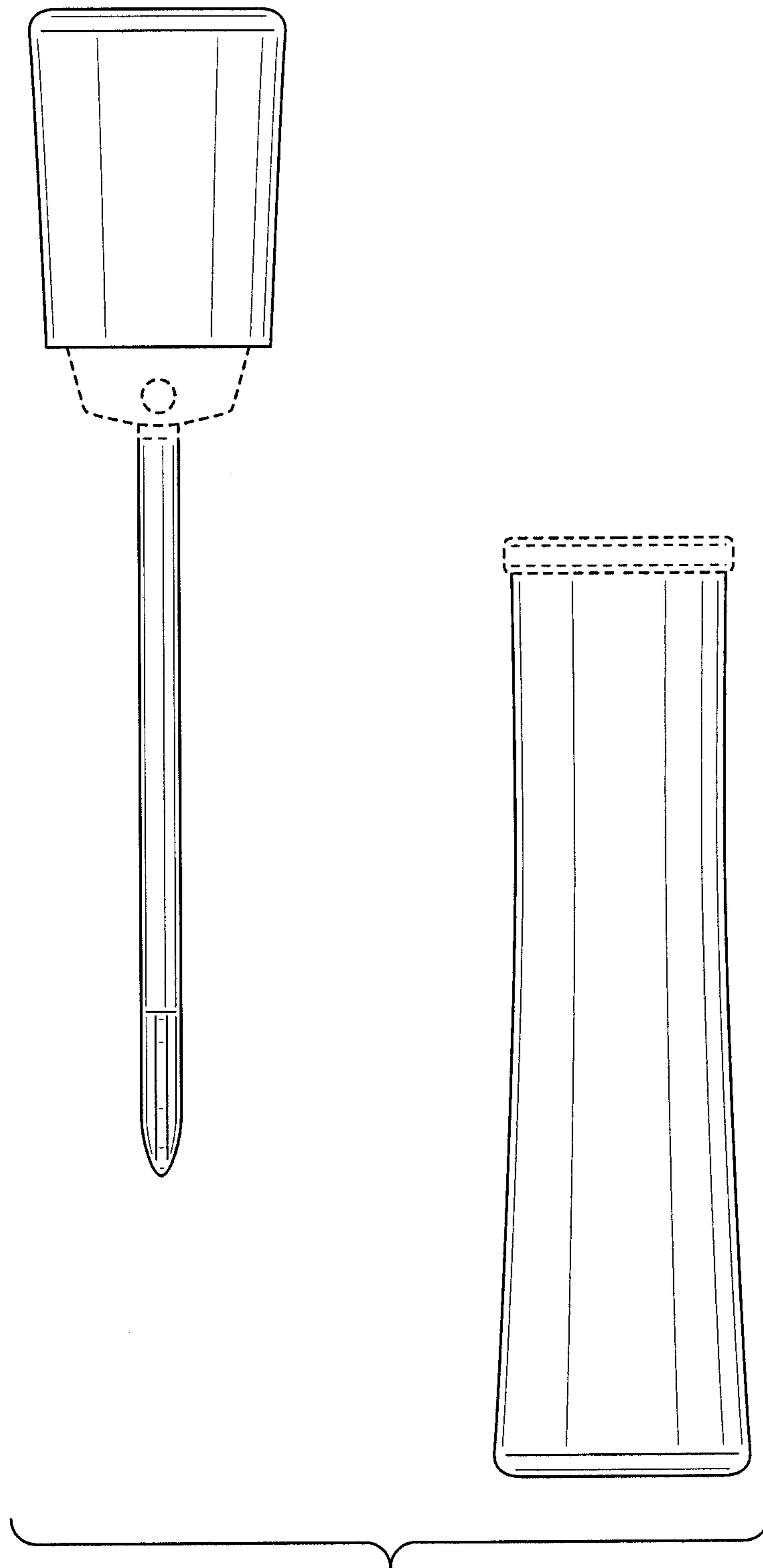


FIG. 18

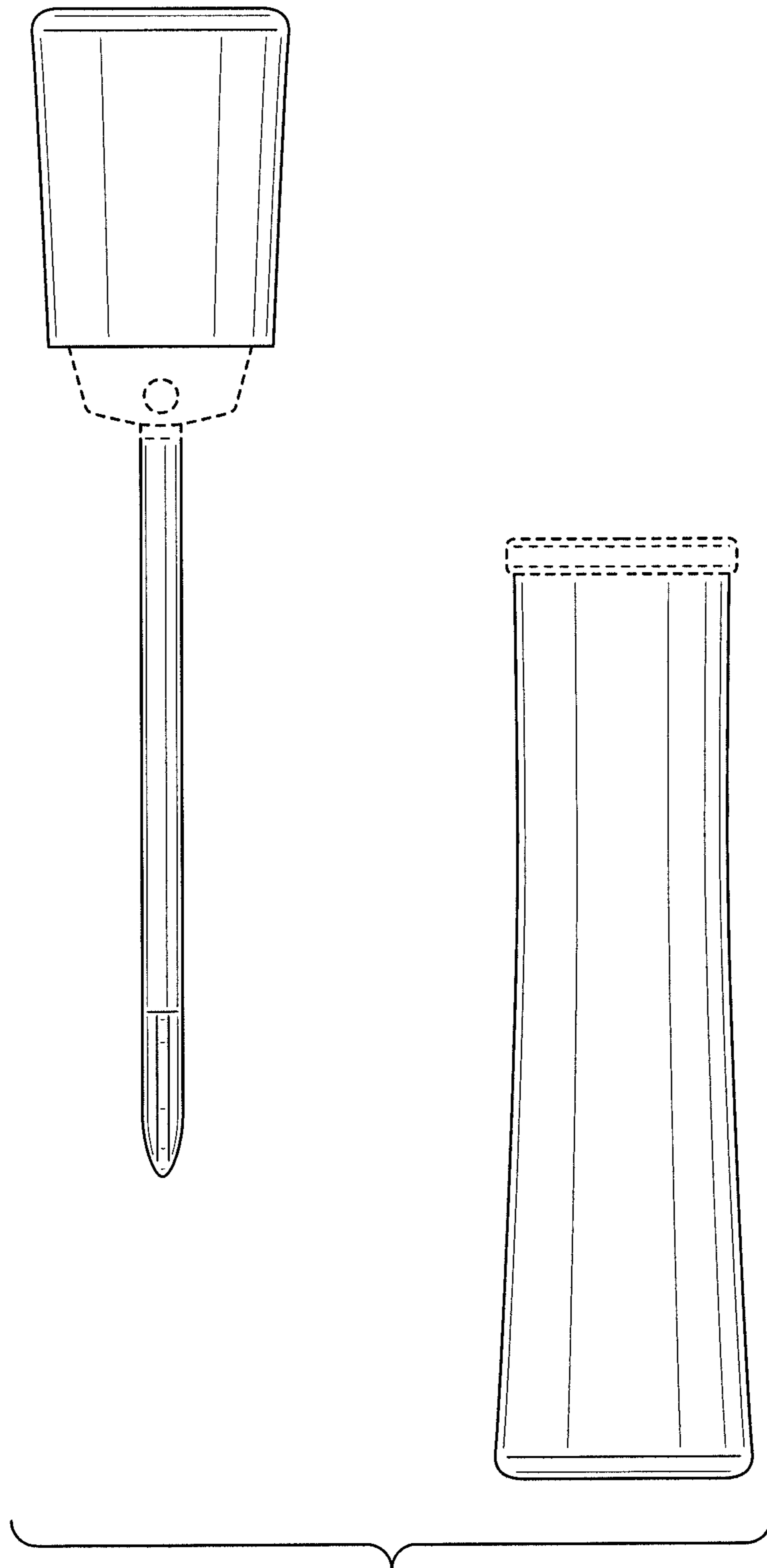


FIG. 19

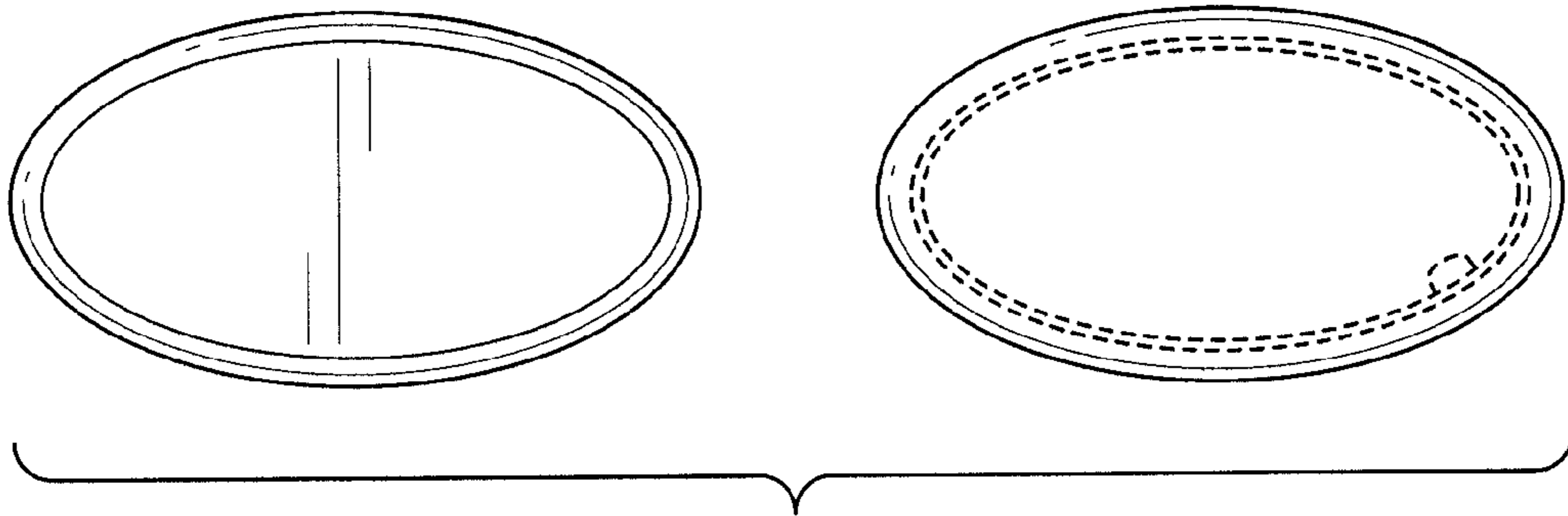


FIG. 20

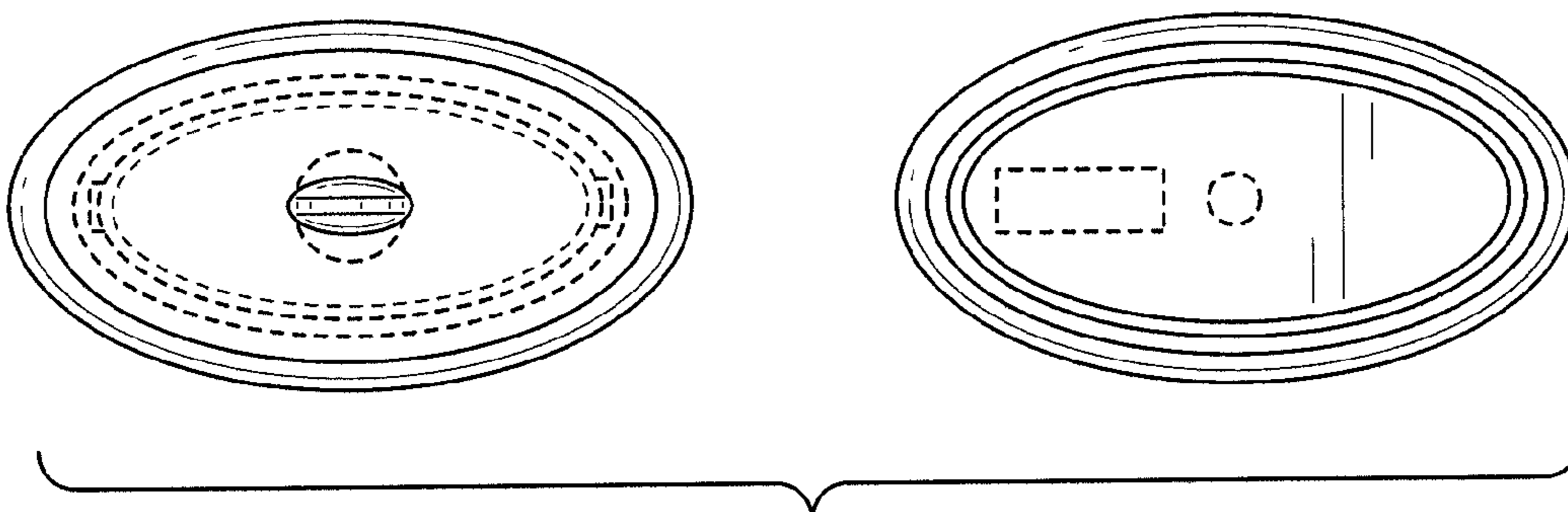


FIG. 21