



US00D728388S

(12) **United States Design Patent**
Robey

(10) **Patent No.:** **US D728,388 S**

(45) **Date of Patent:** **** May 5, 2015**

(54) **CLEAR PUMP ADAPTER**

(71) Applicant: **Draeger Safety, Inc.**, Pittsburgh, PA
(US)

(72) Inventor: **Eric J. Robey**, Colliers, WV (US)

(73) Assignee: **Draeger Safety, Inc.**, Pittsburgh, PA
(US)

(**) Term: **14 Years**

(21) Appl. No.: **29/469,993**

(22) Filed: **Oct. 16, 2013**

(51) **LOC (10) Cl.** **10-04**

(52) **U.S. Cl.**
USPC **D10/53**

(58) **Field of Classification Search**
CPC F02M 37/04; F02M 37/14; G08B 17/10
USPC D15/7-9, 90; D23/231, 232, 225;
417/60, 235, 265, 321, 355, 358, 363,
417/359, 410.1, 415-416, 405, 900;
60/408, 412; 184/26-37; 415/140-147;
123/495, 509; 137/565.34; 435/818;
340/632; D10/52, 53, 60; D24/186
See application file for complete search history.

(56) **References Cited**

U.S. PATENT DOCUMENTS

D224,987 S *	10/1972	Sato	D10/52
D330,521 S *	10/1992	Krolopp	D10/81
D362,811 S *	10/1995	Capetanopolous et al.	...	D10/52
D401,284 S *	11/1998	Alvern	D20/19
D412,452 S *	8/1999	Chan	D10/81

6,987,459 B2 *	1/2006	Tice	340/632
D597,865 S *	8/2009	Bernard et al.	D10/52
D597,866 S *	8/2009	Bernard et al.	D10/52
D597,867 S *	8/2009	Bernard et al.	D10/60
D622,400 S *	8/2010	Freeman et al.	D24/186
8,537,020 B2 *	9/2013	Thorson	340/632
D694,133 S *	11/2013	Dalene	D10/56
D710,718 S *	8/2014	Ichihashi et al.	D10/81
D711,752 S *	8/2014	Chipchase	D10/53
D716,674 S *	11/2014	Herzl	D10/53
D716,675 S *	11/2014	Herzl	D10/53
D717,182 S *	11/2014	Herzl	D10/53

* cited by examiner

Primary Examiner — Ralf Seifert

(74) *Attorney, Agent, or Firm* — Mintz Levin Cohn Ferris
Glovsky and Popeo, P.C.

(57) **CLAIM**

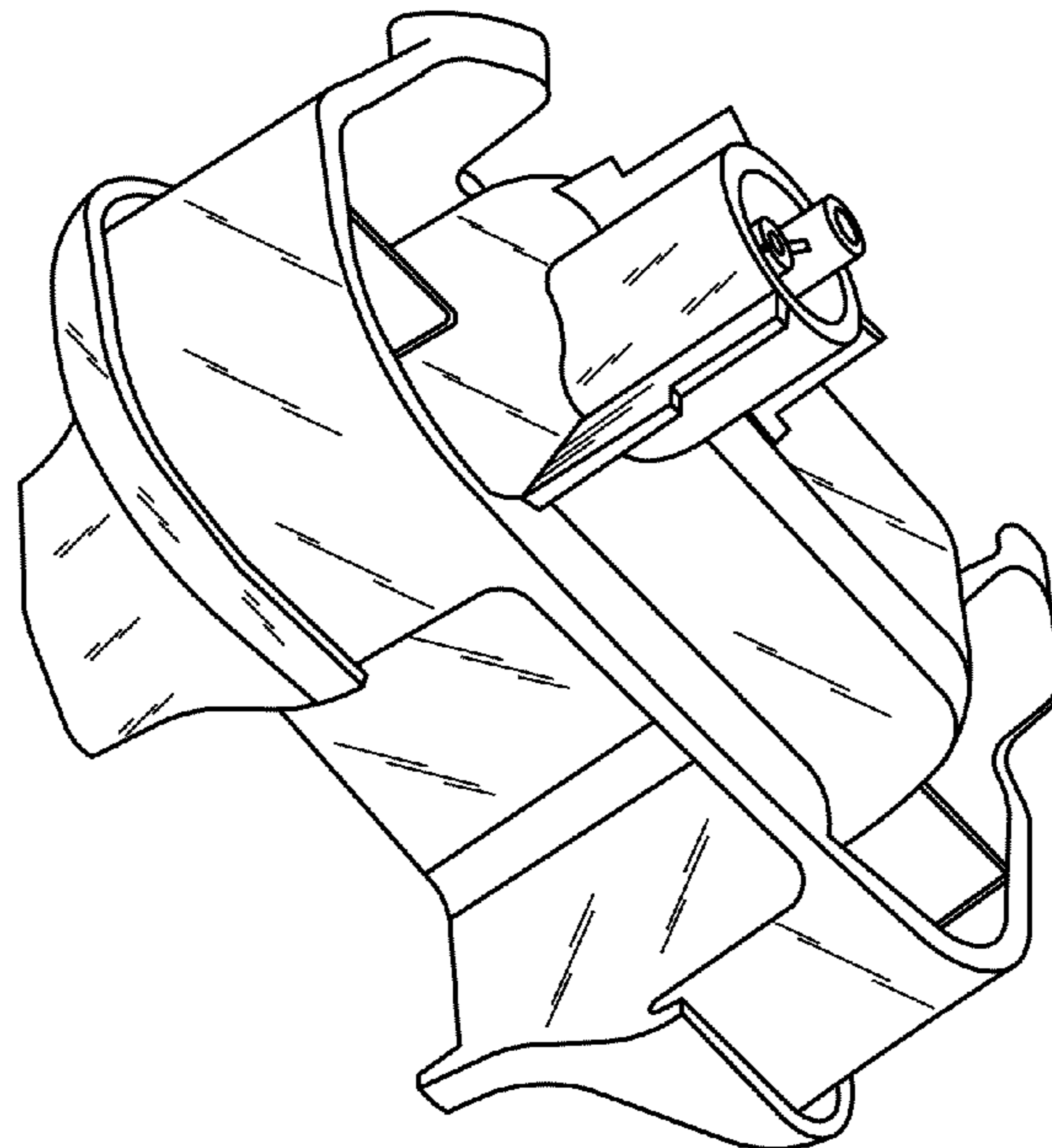
The ornamental design for a clear pump adapter, as shown
and described.

DESCRIPTION

FIG. 1 is a front view of a clear pump adapter showing my
new design;
FIG. 2 is a backside view;
FIG. 3 is a right side view;
FIG. 4 is a left side view;
FIG. 5 is a top plan view;
FIG. 6 is a bottom plan view;
FIG. 7 is a bottom left side perspective view; and,
FIG. 8 is a top left side perspective view.

In the drawings, the pump and the analyzer are shown in
broken lines for illustrative purposes only and form no part of
the claimed design.

1 Claim, 8 Drawing Sheets



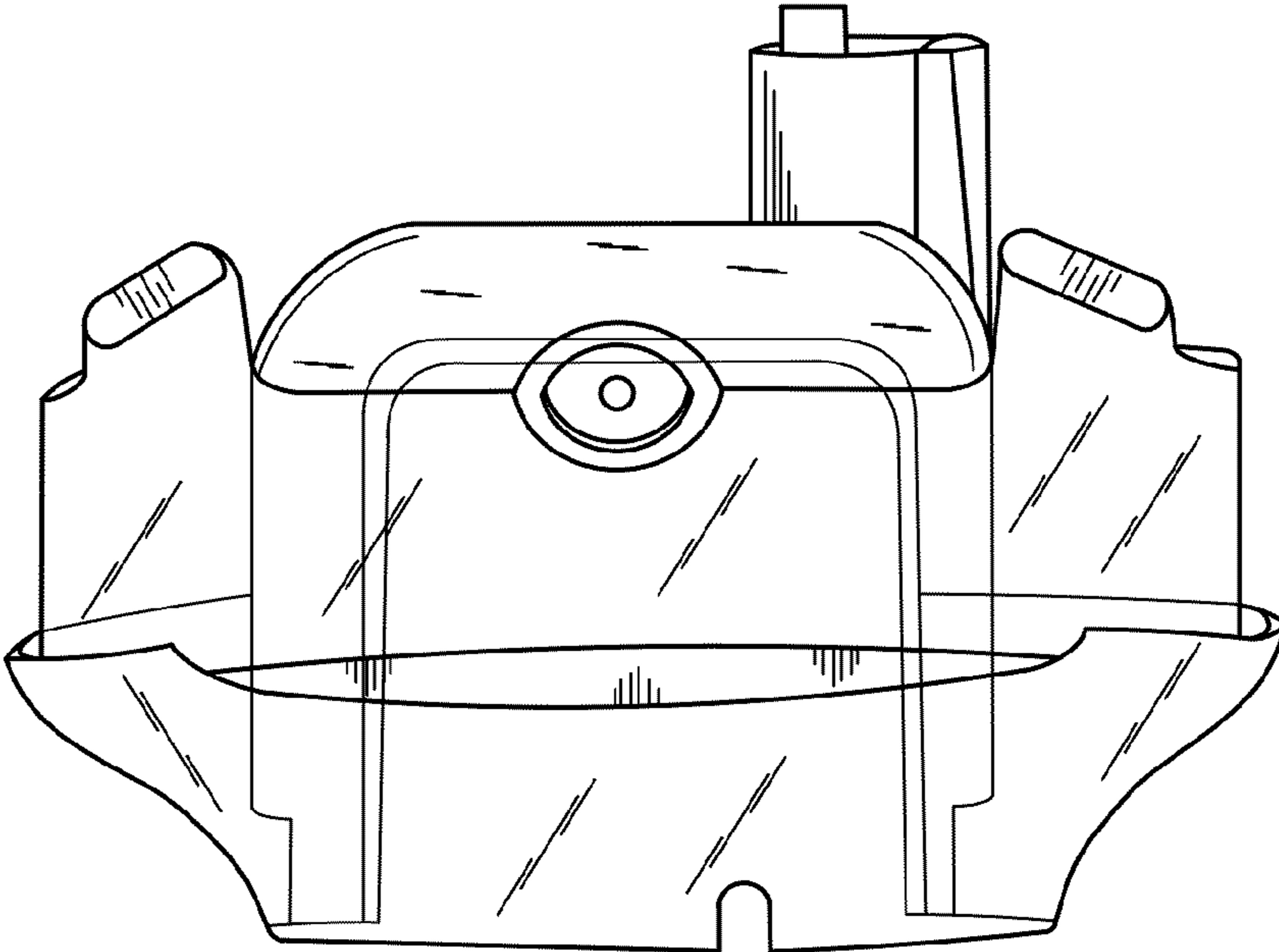


FIG. 1

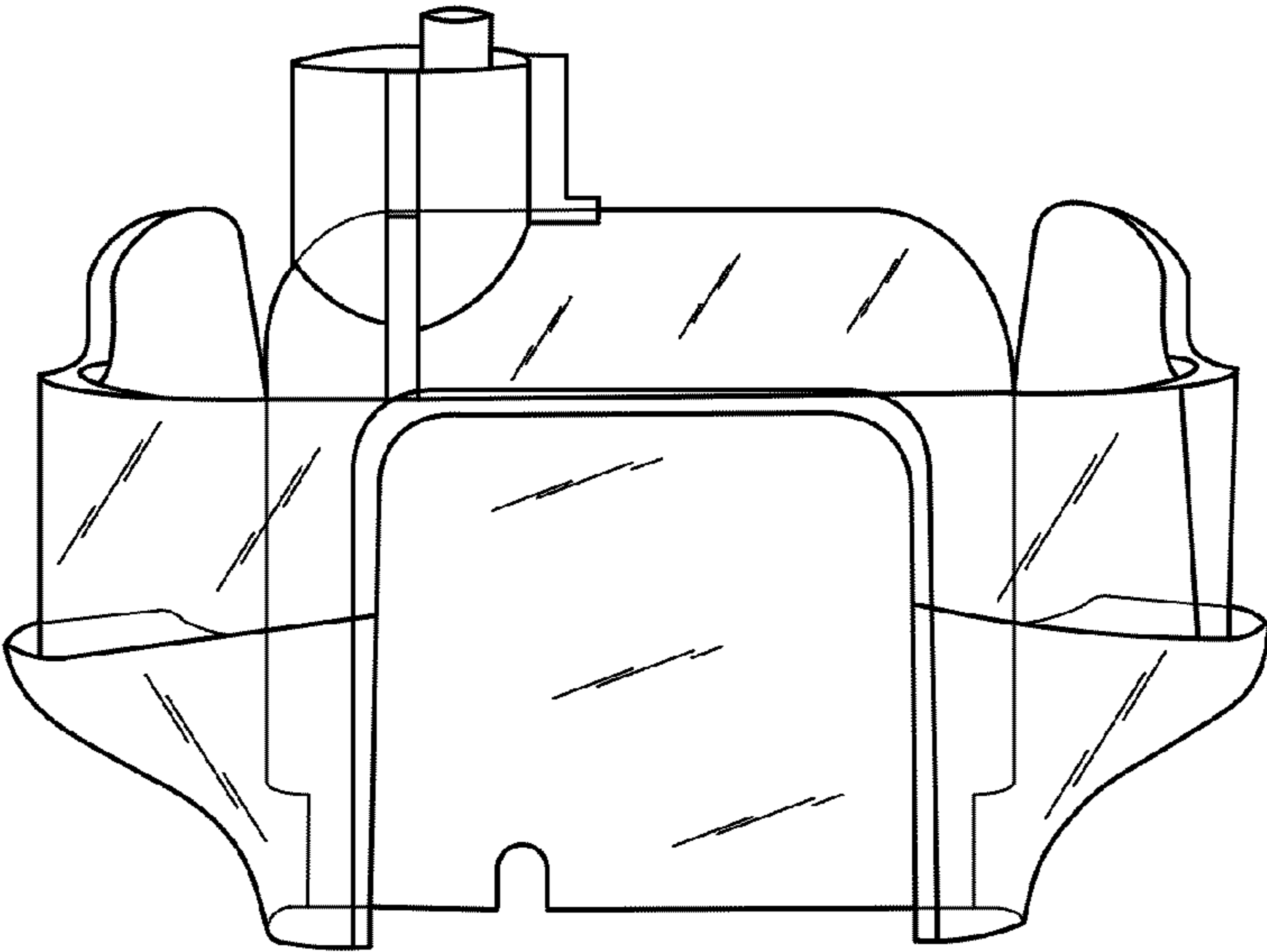


FIG. 2

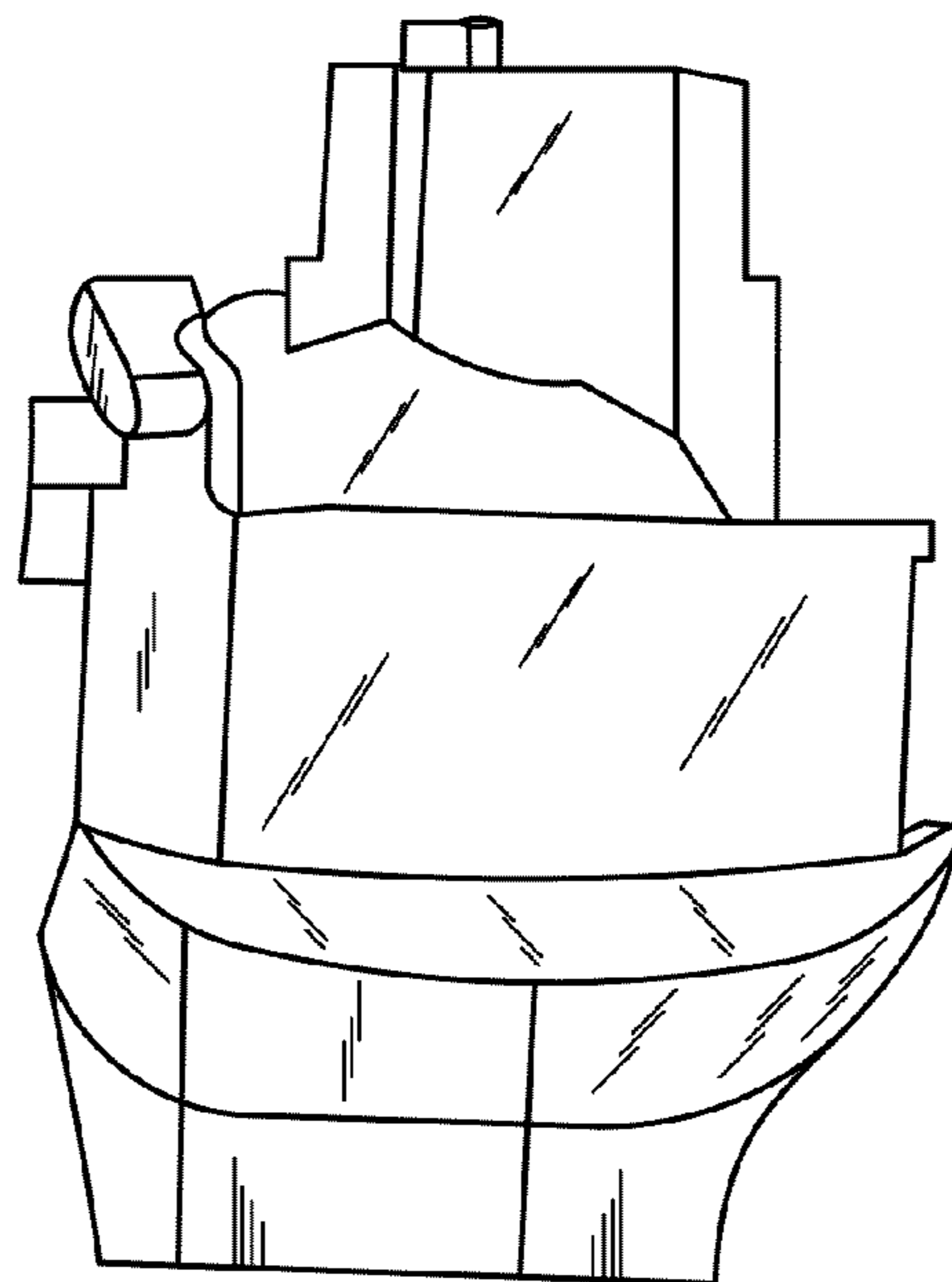


FIG. 3

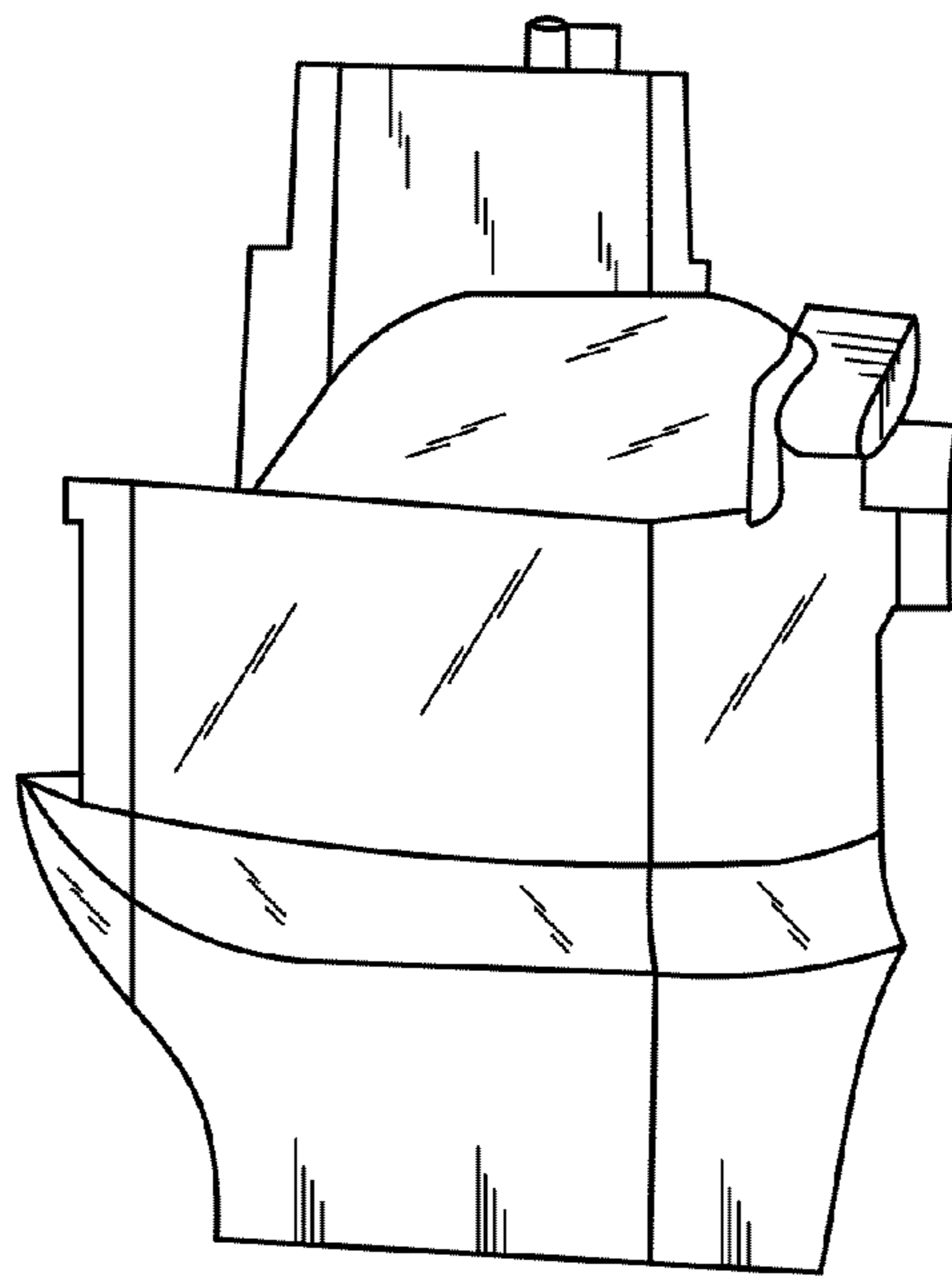


FIG.4

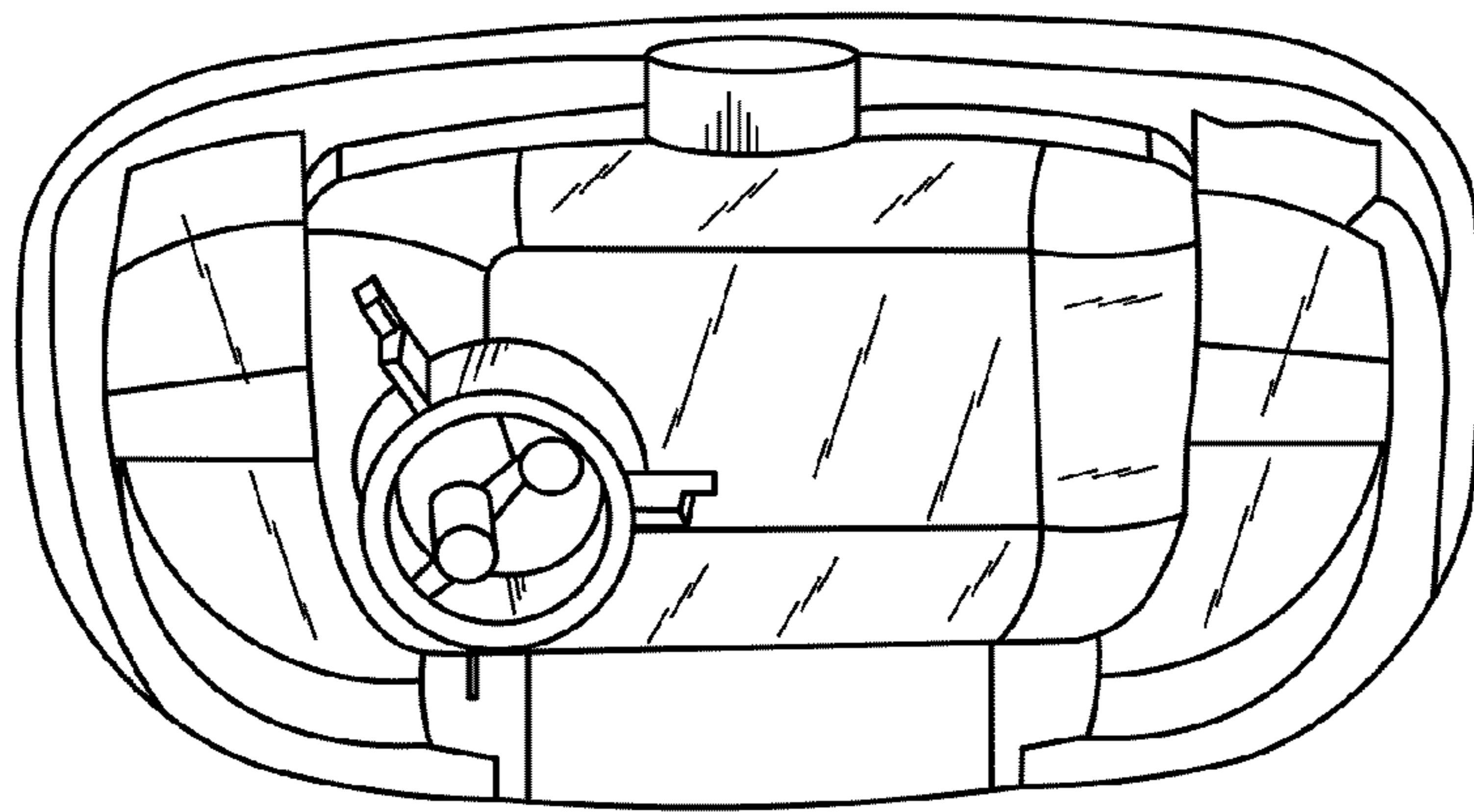


FIG. 5

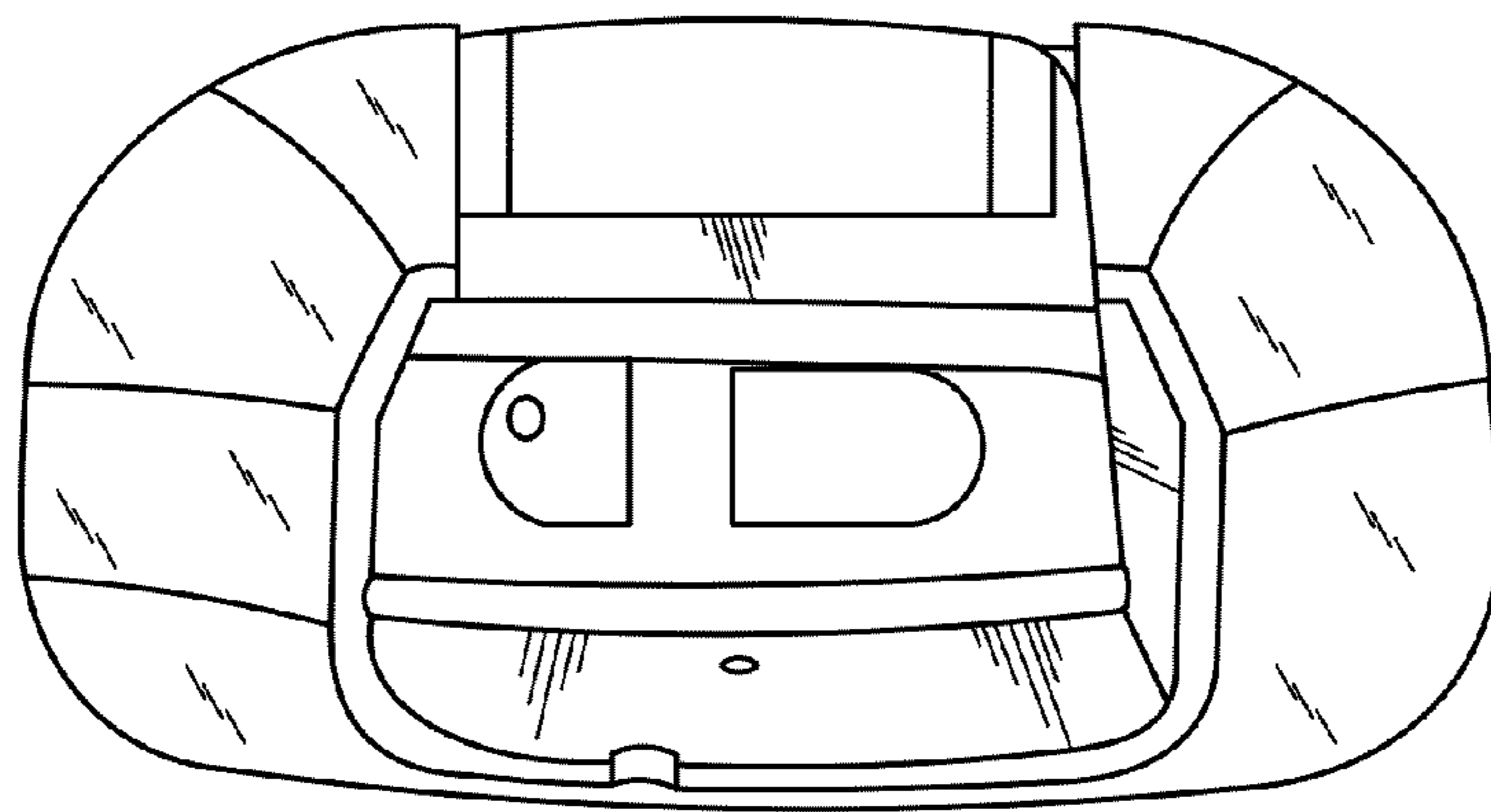


FIG. 6

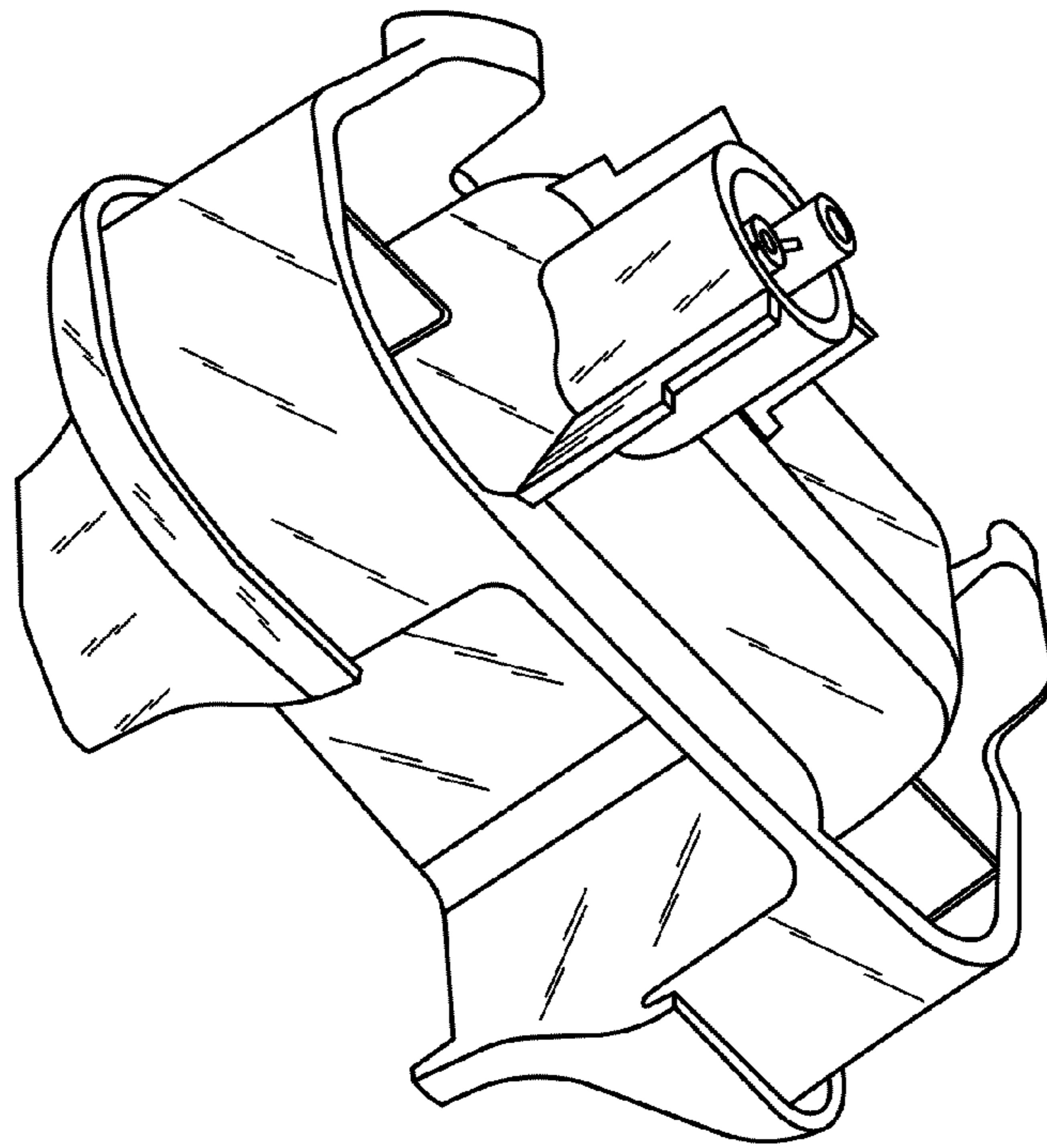


FIG. 7

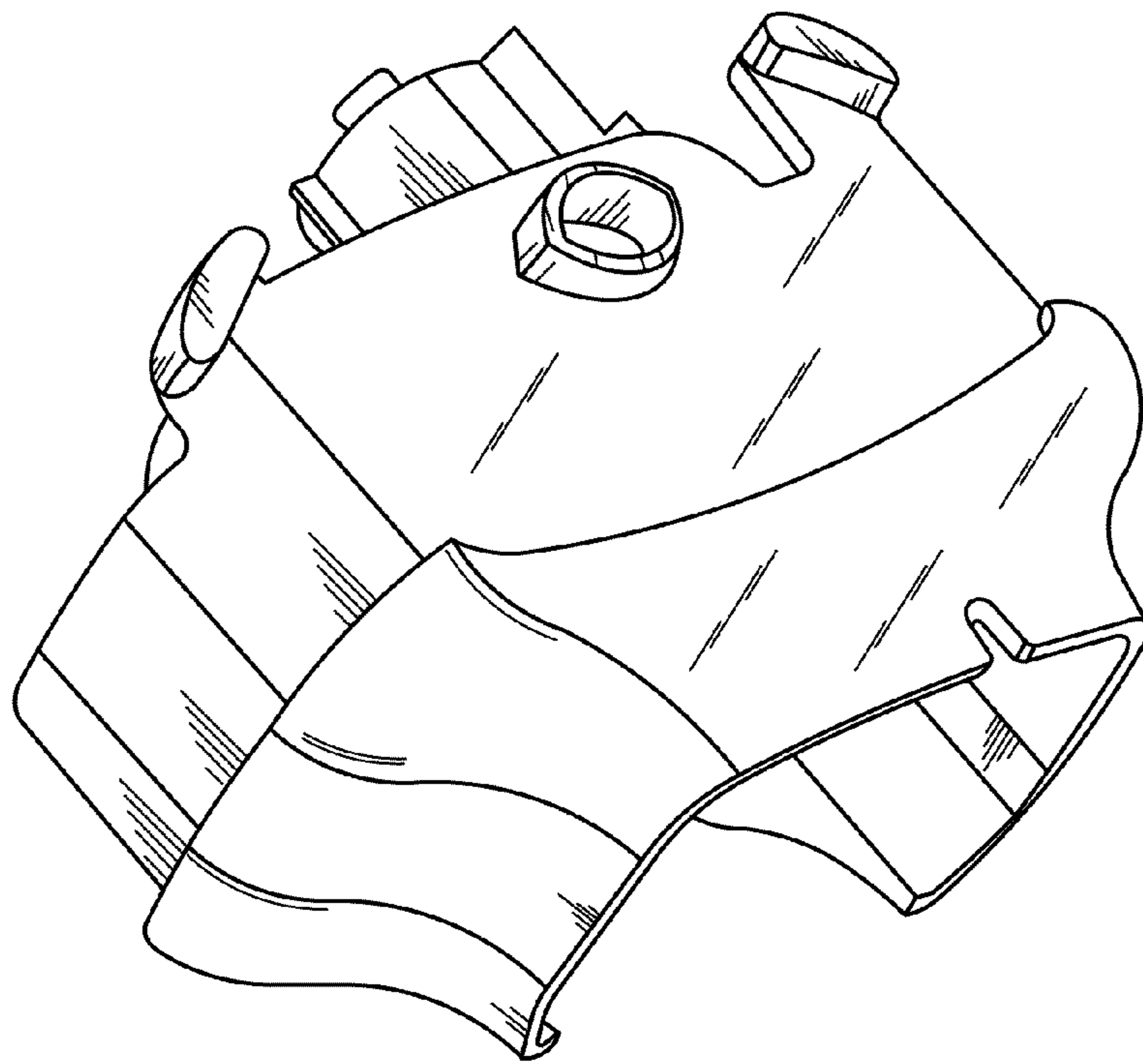


FIG. 8