



US00D728387S

(12) **United States Design Patent**  
**Stegmann et al.**

(10) **Patent No.:** **US D728,387 S**

(45) **Date of Patent:** **\*\* May 5, 2015**

(54) **WATCH**

(71) Applicant: **Glashütter Uhrenbetrieb GmbH**,  
Glashütte (DE)

(72) Inventors: **Katharina Stegmann**, Paulsdorf (DE);  
**Christoph Köhler**, Glashütte (DE)

(73) Assignee: **Glashütter Uhrenbetrieb GmbH**,  
Glashütte (DE)

(\*\*) Term: **14 Years**

(21) Appl. No.: **29/498,026**

(22) Filed: **Jul. 30, 2014**

(30) **Foreign Application Priority Data**

Jan. 30, 2014 (WO) ..... DM/082 768

(51) **LOC (10) Cl.** ..... **10-02**

(52) **U.S. Cl.**  
USPC ..... **D10/39**

(58) **Field of Classification Search**  
CPC .... G04B 37/00; G04B 47/04; G04B 45/0076;  
G04B 19/06; G04B 45/02; G04B 13/00;  
G04B 15/00; G04B 19/243; G04B 19/247;  
G04B 19/25306; G04B 19/16; G04B 19/166  
USPC ..... D10/30-39, 122-132; 368/276, 281,  
368/282, 285, 223, 228, 232, 28  
See application file for complete search history.

(56) **References Cited**

**U.S. PATENT DOCUMENTS**

3,570,239 A \* 3/1971 Charles ..... 368/11  
D323,124 S \* 1/1992 Osawa ..... D10/39  
D324,829 S \* 3/1992 Bock ..... D10/126  
D405,016 S \* 2/1999 Bach ..... D10/32  
D420,920 S \* 2/2000 Bach ..... D10/32  
D459,241 S \* 6/2002 Bodino ..... D10/32

D481,642 S \* 11/2003 Journe ..... D10/126  
D505,342 S \* 5/2005 Hayek ..... D10/39  
D538,182 S \* 3/2007 Lalo ..... D10/32  
D554,003 S \* 10/2007 Journe ..... D10/31  
D559,131 S \* 1/2008 Laucella ..... D10/39  
D578,901 S \* 10/2008 Laucella ..... D10/38  
D669,372 S \* 10/2012 Laucella ..... D10/39  
D677,176 S \* 3/2013 Ruffieux ..... D10/39  
D693,244 S \* 11/2013 Duport et al. .... D10/39  
D694,655 S \* 12/2013 Rufenacht ..... D10/38  
D708,072 S \* 7/2014 Oes ..... D10/32  
D717,670 S \* 11/2014 Davoli ..... D10/39  
D718,150 S \* 11/2014 Gueit ..... D10/32

**OTHER PUBLICATIONS**

Watches International VI, The Original Annual of the World's Finest  
Wristwatches, 2005, p. 135, Breguet Classique Tourbillon for Ladies,  
Ref. 3358BB/52/986 D D00.\*

\* cited by examiner

*Primary Examiner* — Lucy Lieberman

(74) *Attorney, Agent, or Firm* — Donald J. Ranft; Kristen A.  
Mogavero; Collen IP

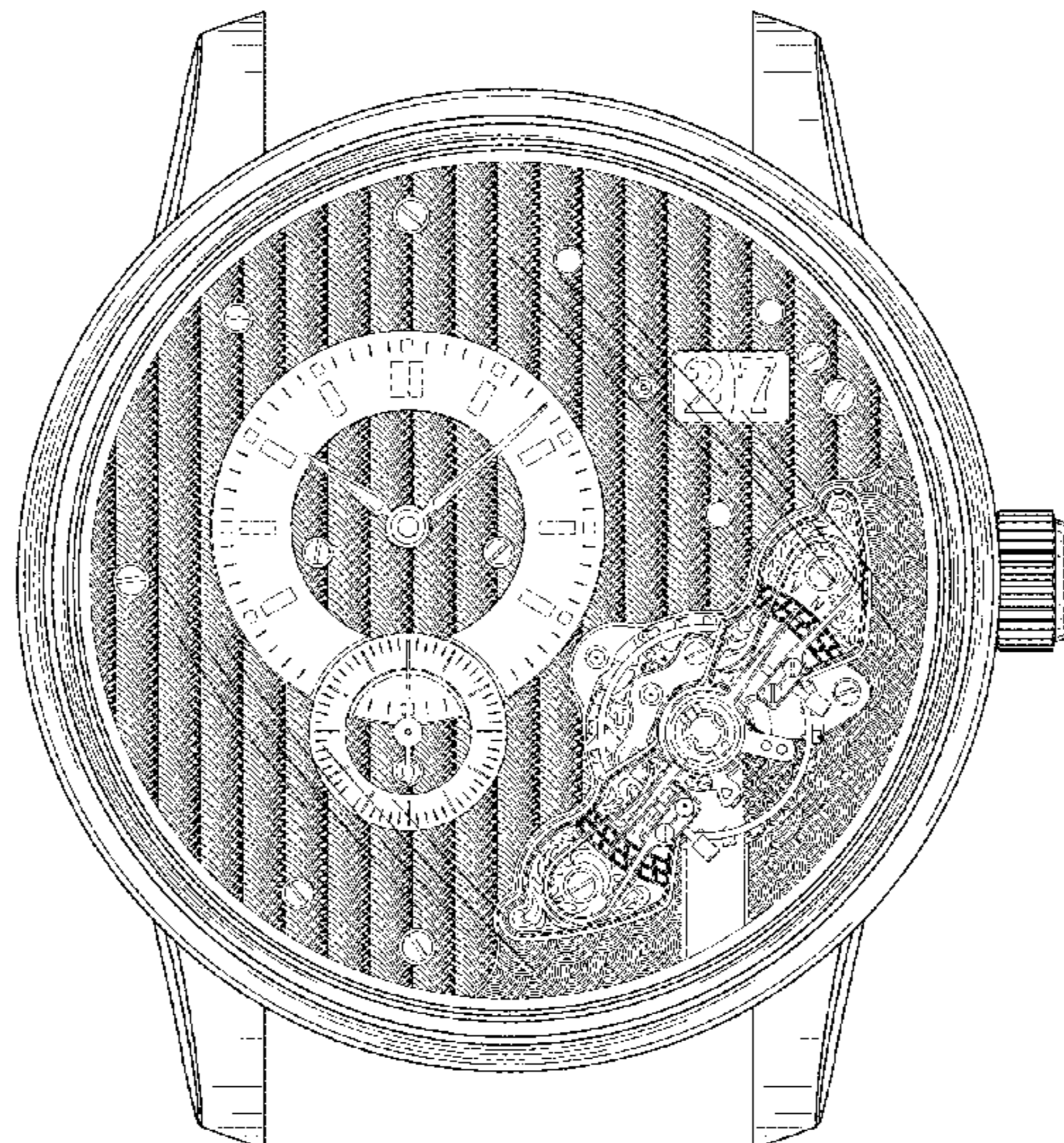
(57) **CLAIM**

The ornamental design for a watch, as shown.

**DESCRIPTION**

FIG. 1 is a front right perspective view of a watch showing our  
new design;  
FIG. 2 is a front view thereof;  
FIG. 3 is a rear view thereof;  
FIG. 4 is a left side view thereof;  
FIG. 5 is a right side view thereof;  
FIG. 6 is a top view thereof;  
FIG. 7 is a bottom view thereof;  
FIG. 8 is a front left perspective view thereof;  
FIG. 9 is a rear right perspective view thereof; and,  
FIG. 10 is a rear left perspective view thereof.

**1 Claim, 7 Drawing Sheets**





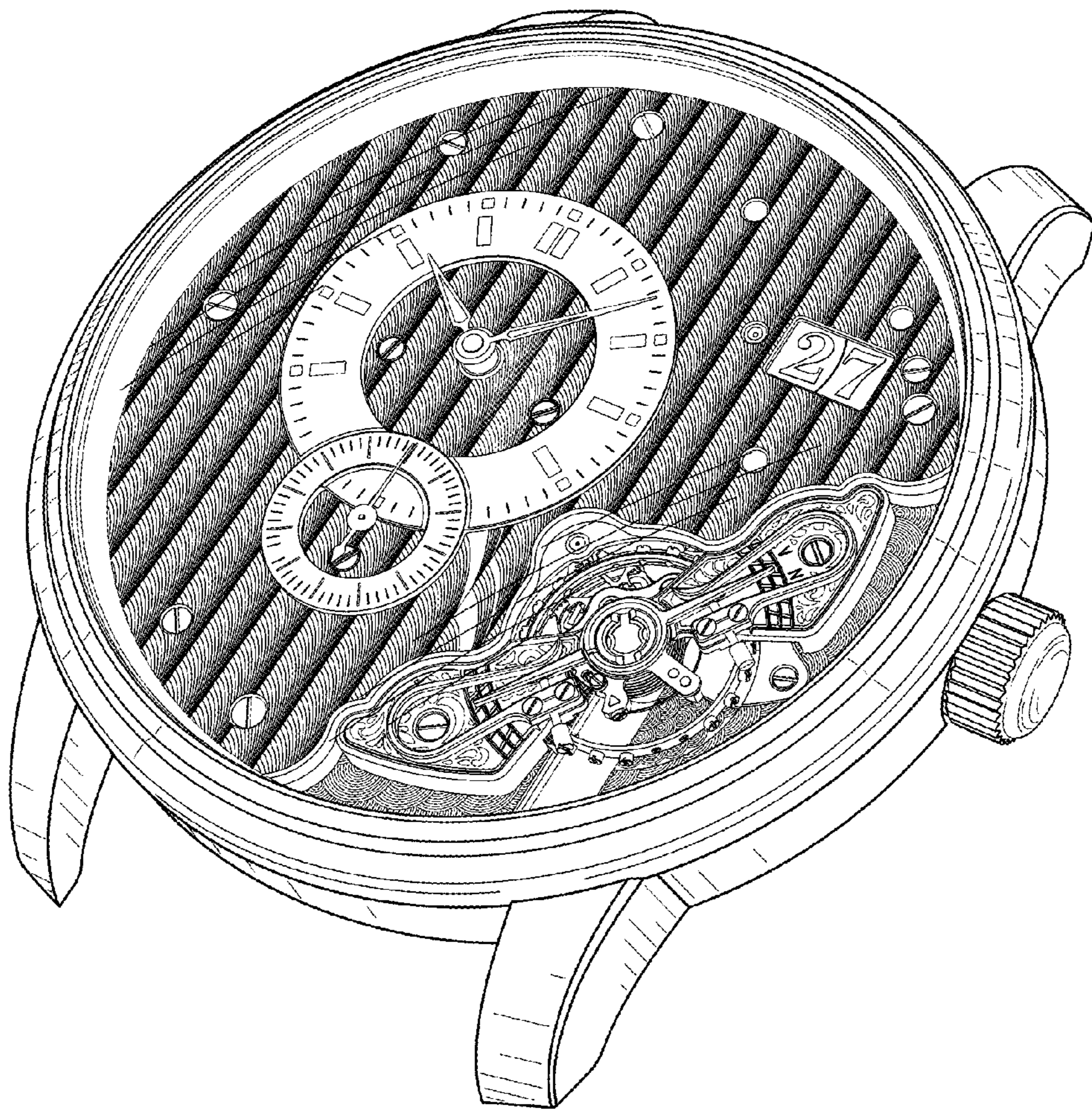


FIG. 1



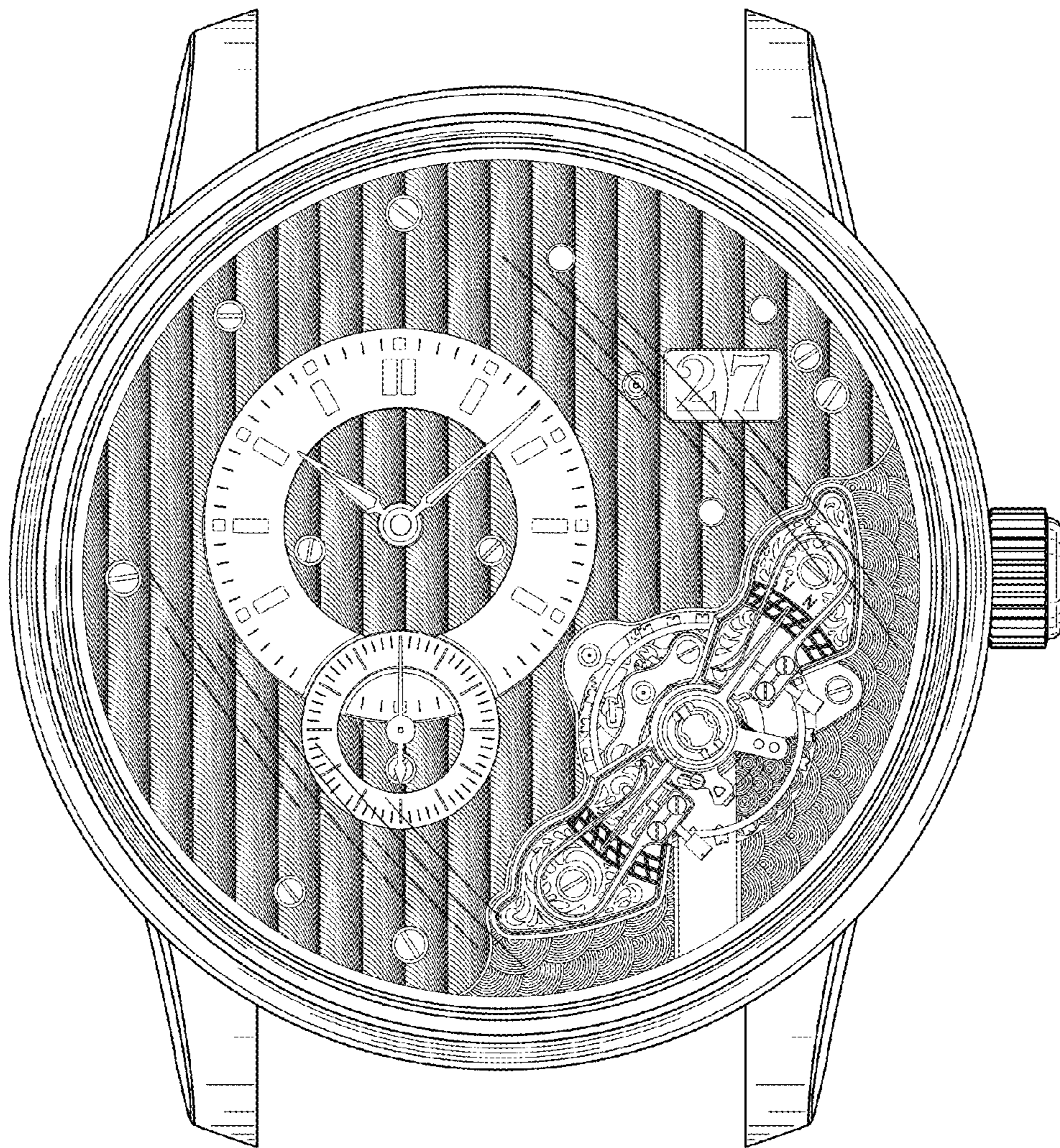


FIG. 2





FIG. 3

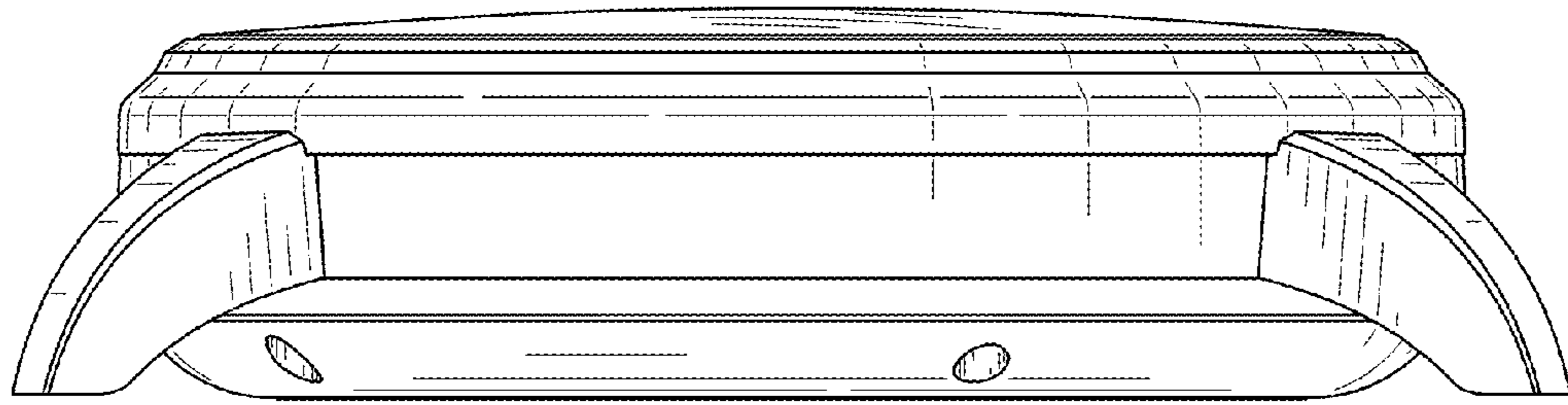


FIG. 4

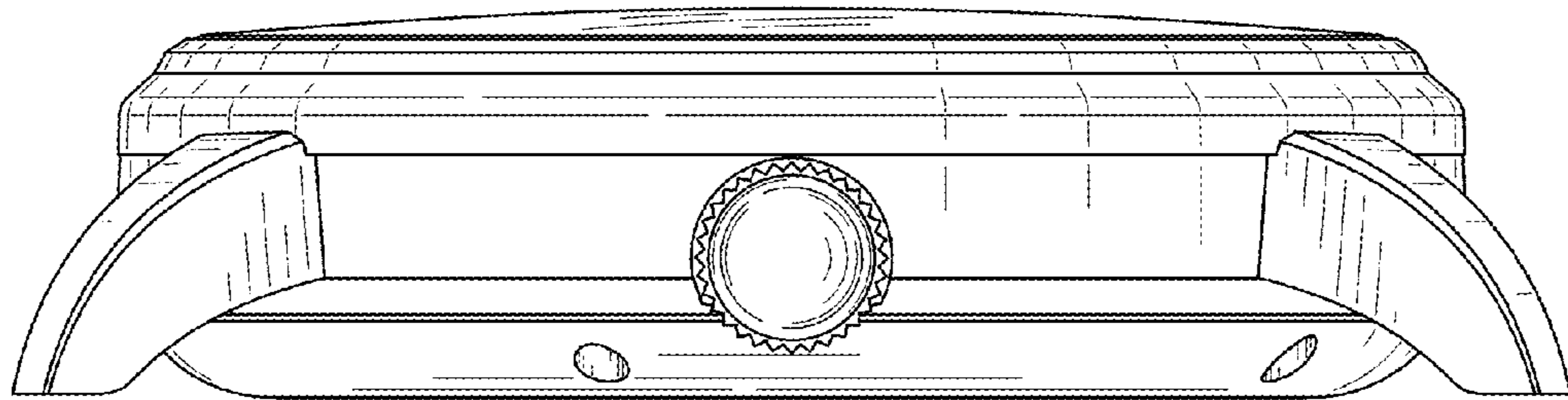


FIG. 5

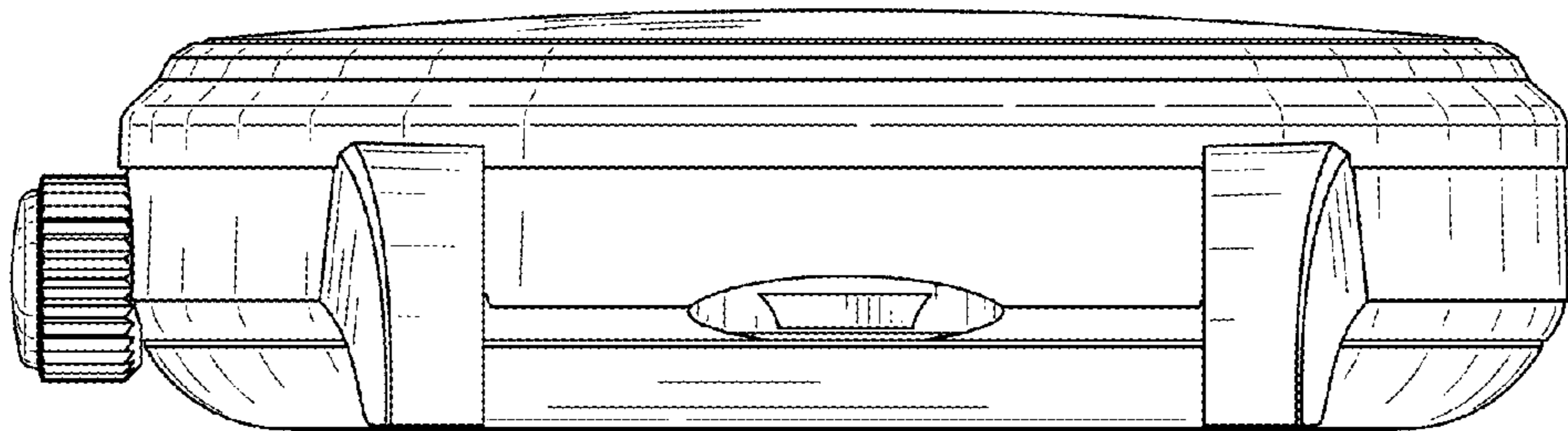


FIG. 6

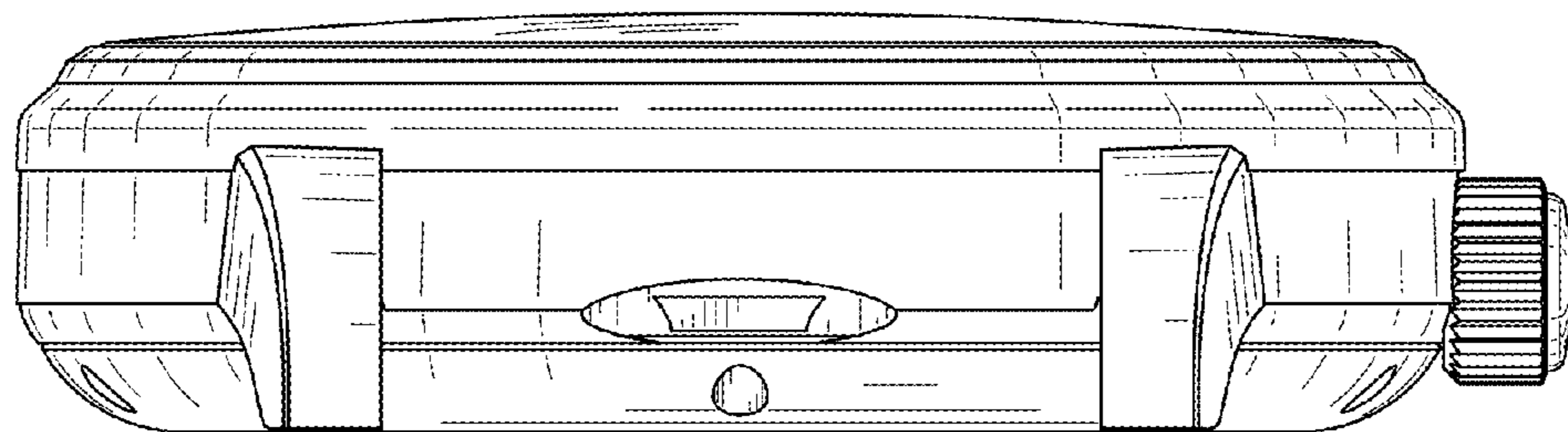


FIG. 7



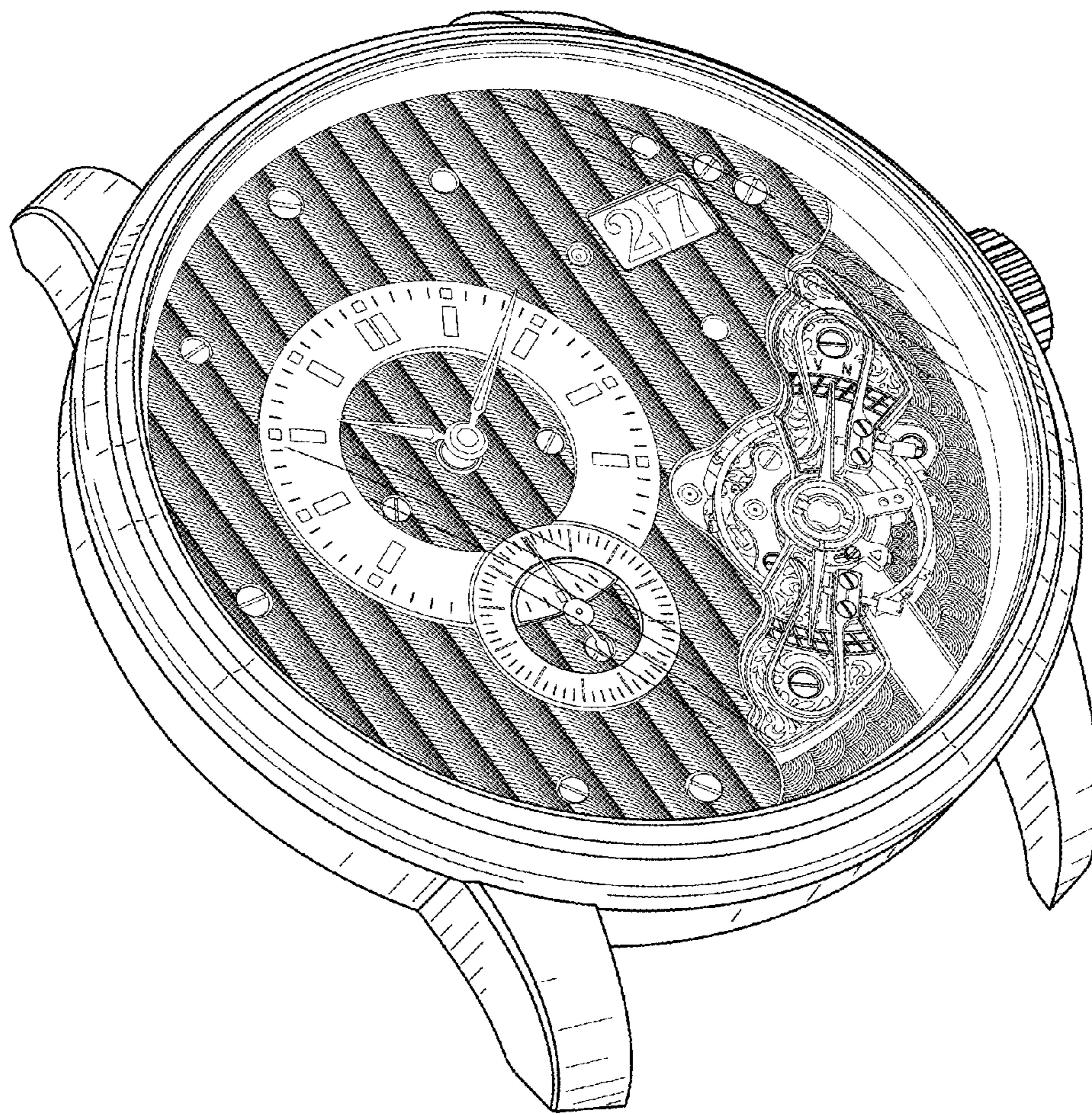


FIG. 8



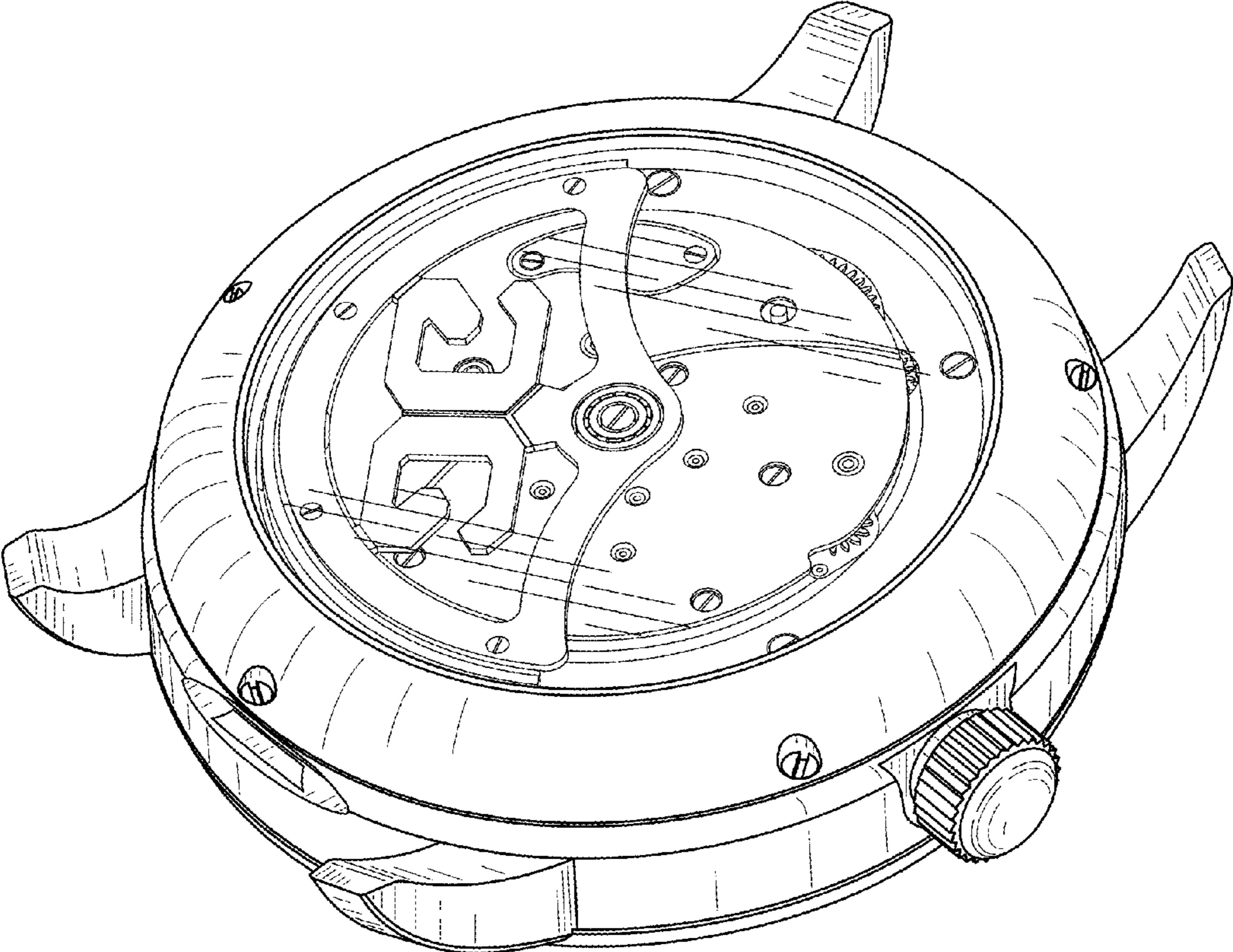


FIG. 9

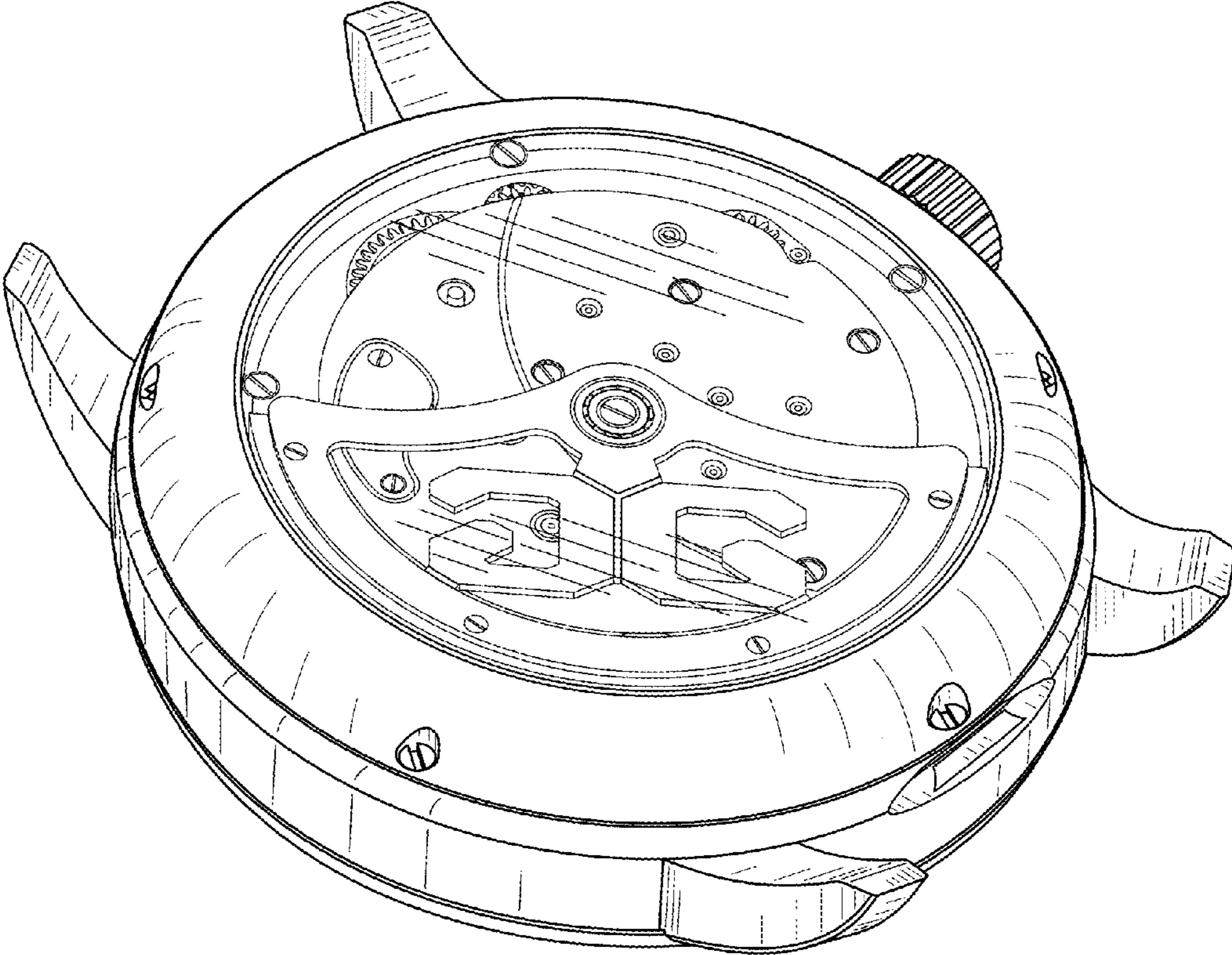


FIG. 10