



US00D728386S

(12) **United States Design Patent**  
**Galli**

(10) **Patent No.:** **US D728,386 S**

(45) **Date of Patent:** **\*\* May 5, 2015**

(54) **WATCH**

(71) Applicant: **Salvatore Ferragamo S.p.A.**, Florence (IT)

(72) Inventor: **Giorgio Galli**, Milan (IT)

(73) Assignee: **Salvatore Ferragamo S.p.A.**, Florence (IT)

(\*\*) Term: **14 Years**

(21) Appl. No.: **29/455,392**

(22) Filed: **May 20, 2013**

(30) **Foreign Application Priority Data**

Nov. 30, 2012 (IT) ..... DM/079640

(51) **LOC (10) Cl.** ..... **10-02**

(52) **U.S. Cl.**  
USPC ..... **D10/39**

(58) **Field of Classification Search**  
USPC ..... D10/30-39, 122-132; 368/276, 281,  
368/282, 285

See application file for complete search history.

(56) **References Cited**

**U.S. PATENT DOCUMENTS**

D284,949 S \* 8/1986 Kong ..... D10/128  
D293,419 S \* 12/1987 Tanaka ..... D10/39

D315,516 S \* 3/1991 Beeson ..... D10/32  
D317,413 S \* 6/1991 Veronesi ..... D10/32  
D319,027 S \* 8/1991 Burgener ..... D10/39  
D332,055 S \* 12/1992 Gander ..... D10/39  
5,319,615 A \* 6/1994 Ng ..... 368/276  
5,373,484 A \* 12/1994 Rappo et al. .... 368/282  
D354,012 S \* 1/1995 Barbara ..... D10/39  
5,398,218 A \* 3/1995 Munnier et al. .... 368/282  
D360,593 S \* 7/1995 McLaughlin ..... D10/39  
D380,968 S \* 7/1997 Feuvrier ..... D10/30  
D391,870 S \* 3/1998 Brzezinski ..... D10/32  
D508,860 S \* 8/2005 Plan ..... D10/39  
D558,612 S \* 1/2008 Wei ..... D10/38  
D558,613 S \* 1/2008 Wei ..... D10/38  
D585,769 S \* 2/2009 Belamich ..... D10/39  
D590,275 S \* 4/2009 Monachon ..... D10/32  
D649,069 S \* 11/2011 Galli ..... D10/30

\* cited by examiner

*Primary Examiner* — Lucy Lieberman

(74) *Attorney, Agent, or Firm* — Kelley Drye & Warren LLP

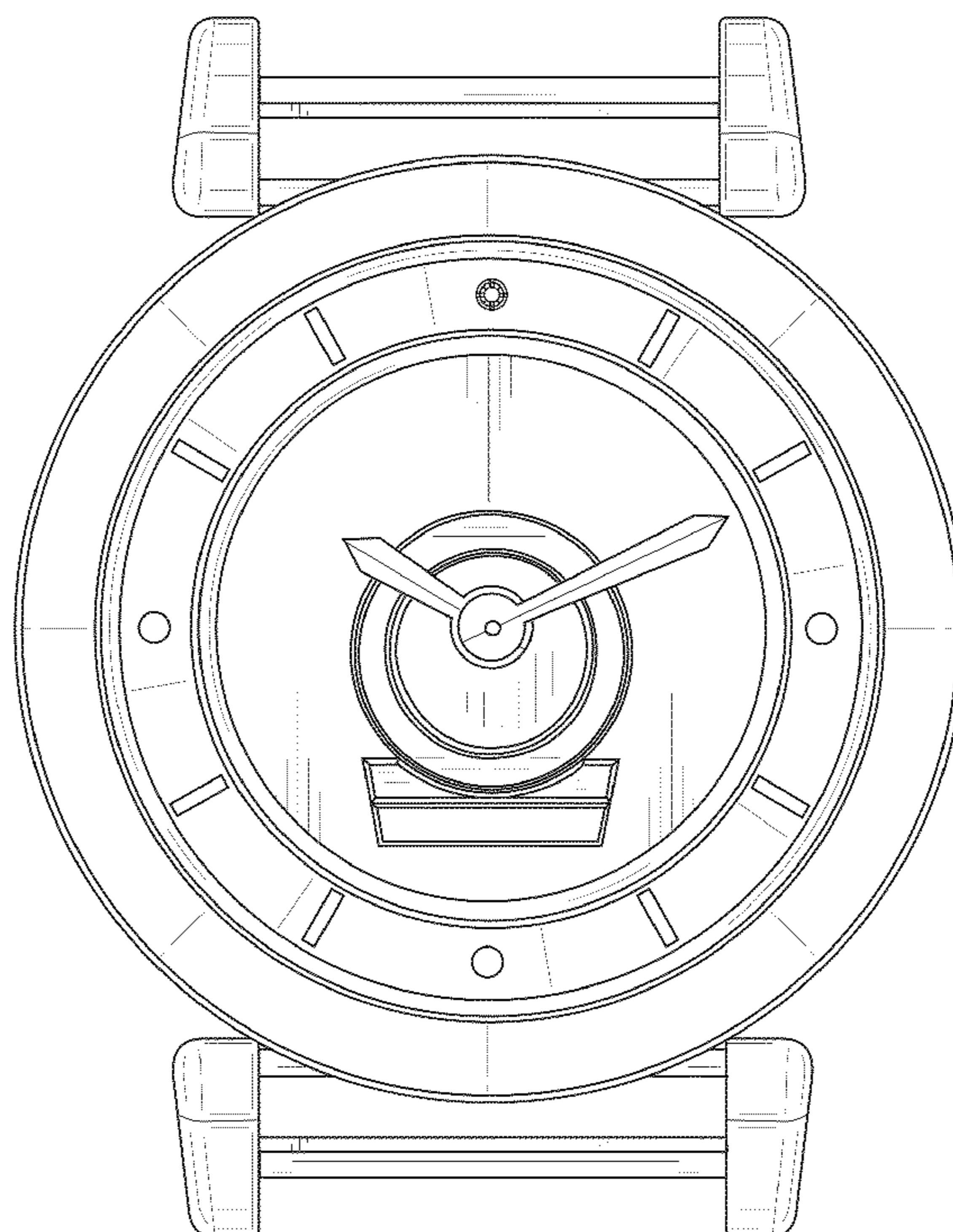
(57) **CLAIM**

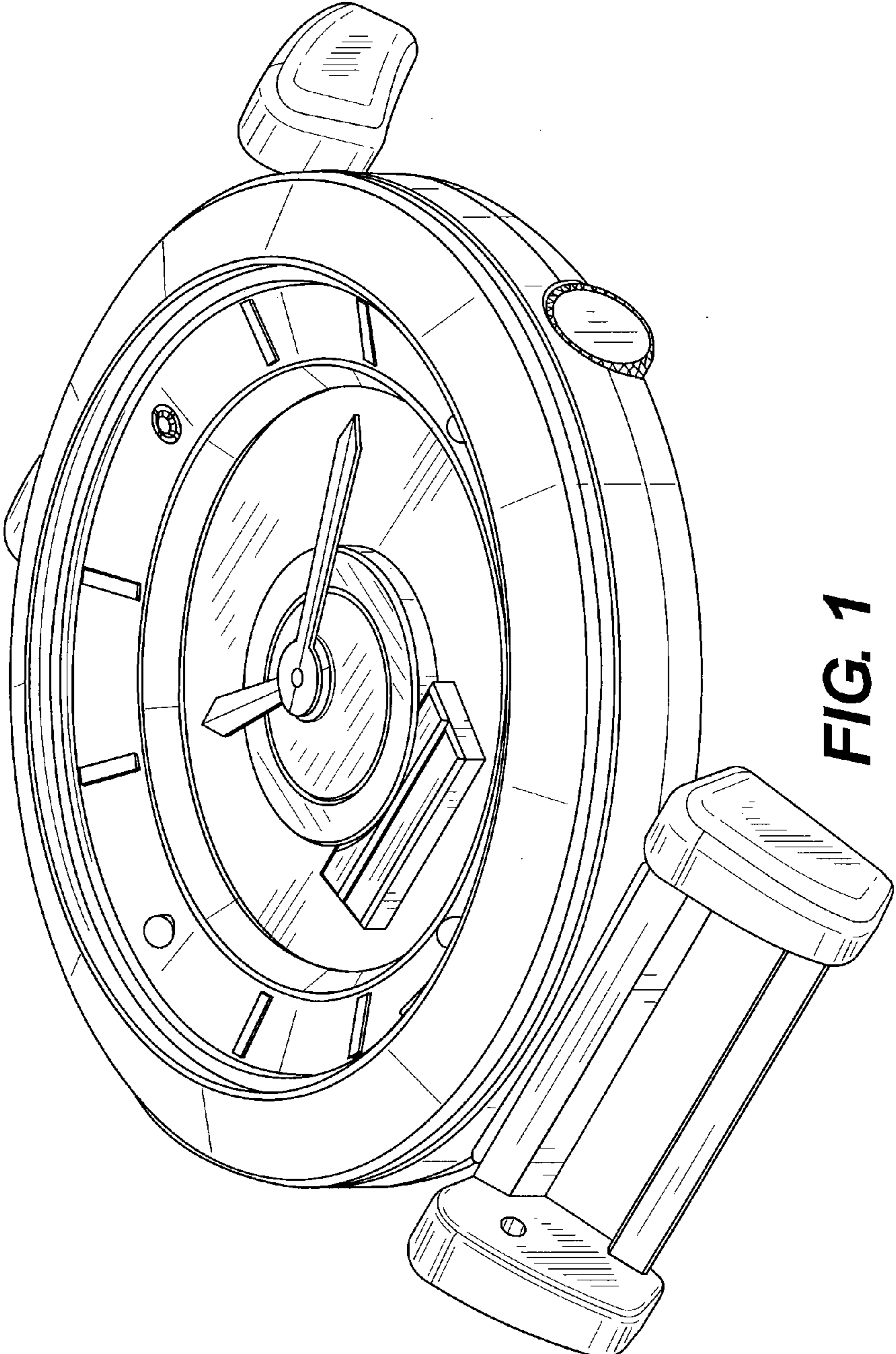
The ornamental design for a watch, as shown.

**DESCRIPTION**

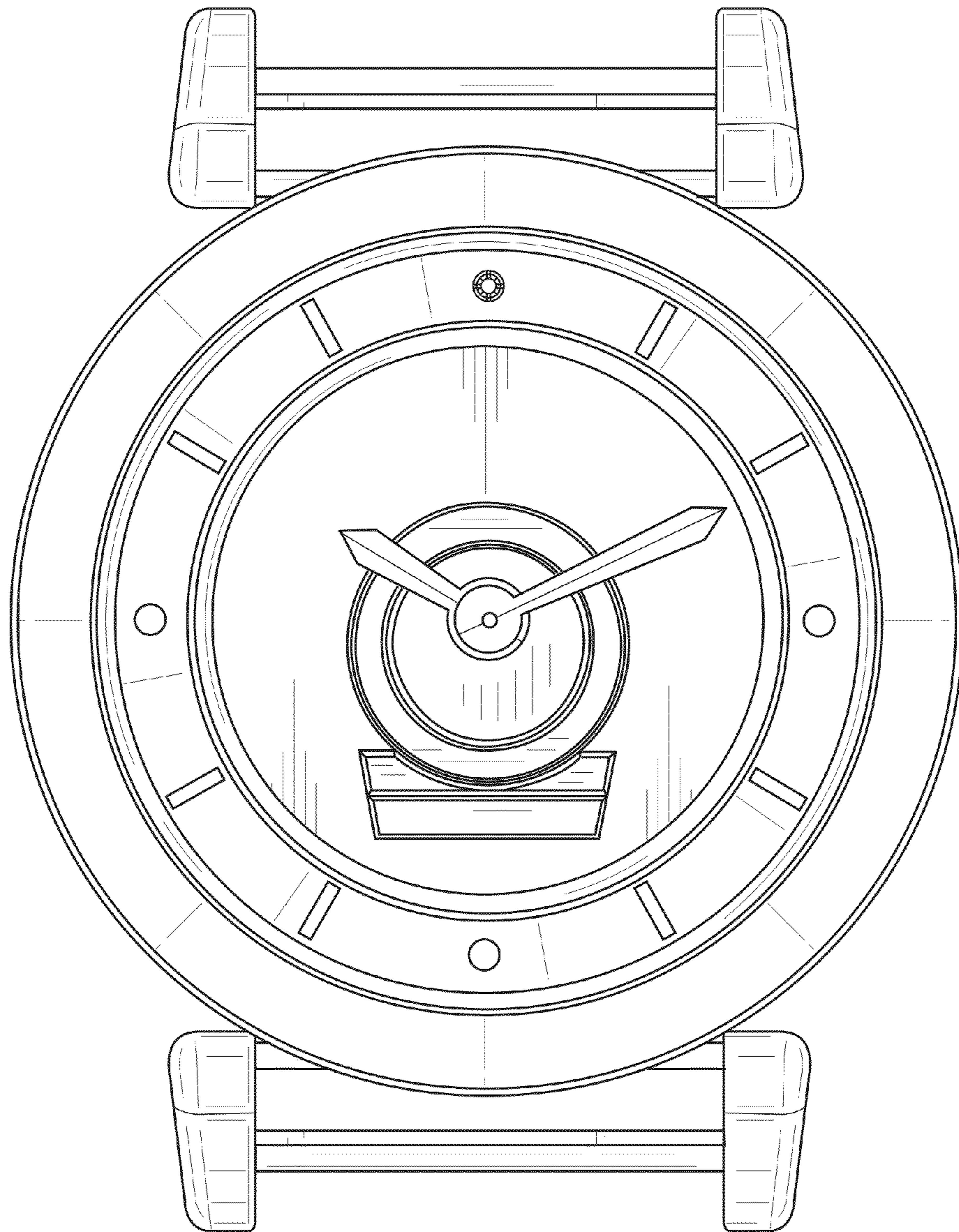
FIG. 1 is a front, right side and bottom perspective view of a watch showing my new design; and, FIG. 2 is a front elevation thereof.

**1 Claim, 2 Drawing Sheets**





**FIG. 1**



**FIG. 2**