



US00D728385S

(12) **United States Design Patent**  
**Nashimoto**

(10) **Patent No.:** **US D728,385 S**

(45) **Date of Patent:** **\*\* May 5, 2015**

(54) **WATCHCASE FOR A WRISTWATCH**

(71) Applicant: **Swarovski Aktiengesellschaft**, Triesen (LI)

(72) Inventor: **Mahito Nashimoto**, Paris (FR)

(73) Assignee: **Swarovski Aktiengesellschaft**, Triesen (LI)

(\*\*) Term: **14 Years**

(21) Appl. No.: **29/444,850**

(22) Filed: **Feb. 5, 2013**

(30) **Foreign Application Priority Data**

Sep. 20, 2012 (EM) ..... 2106310-0001

(51) **LOC (10) Cl.** ..... **10-02**

(52) **U.S. Cl.**  
USPC ..... **D10/38**

(58) **Field of Classification Search**  
CPC ..... G04B 37/00; G04B 47/04; G04B 45/0076  
USPC ..... D10/30-39; 368/276, 282, 281, 285,  
368/294, 295  
See application file for complete search history.

(56) **References Cited**

**U.S. PATENT DOCUMENTS**

2,361,563 A \* 10/1944 Pellaton ..... 368/80  
2,385,234 A \* 9/1945 Schmitz ..... 368/288  
D179,372 S \* 12/1956 Bauer ..... D10/39  
D186,180 S \* 9/1959 Diamond ..... D10/39  
D358,776 S \* 5/1995 Pandel ..... D10/30  
5,467,325 A \* 11/1995 Juillerat ..... 368/276

D365,526 S \* 12/1995 Gardner ..... D10/39  
D382,815 S \* 8/1997 Riley ..... D10/30  
D554,535 S \* 11/2007 Journe ..... D10/31  
D580,794 S \* 11/2008 Takahashi ..... D10/32  
D580,796 S \* 11/2008 Calvani ..... D10/33  
D608,223 S \* 1/2010 Salanitro ..... D10/38  
D608,665 S \* 1/2010 Perrenoud  
D615,882 S \* 5/2010 Laucella ..... D10/39  
D640,575 S \* 6/2011 Nashimoto ..... D10/32  
D651,099 S \* 12/2011 Ruffieux ..... D10/38  
D659,555 S \* 5/2012 Jamin ..... D10/32  
D678,081 S \* 3/2013 Cabiddu ..... D10/38  
D705,675 S \* 5/2014 Abdourahim ..... D10/39  
8,773,847 B2 \* 7/2014 Byun et al. .... 361/679.03

**FOREIGN PATENT DOCUMENTS**

JP D1382158 3/2010

\* cited by examiner

*Primary Examiner* — Lucy Lieberman

(74) *Attorney, Agent, or Firm* — Wenderoth, Lind & Ponack, L.L.P.

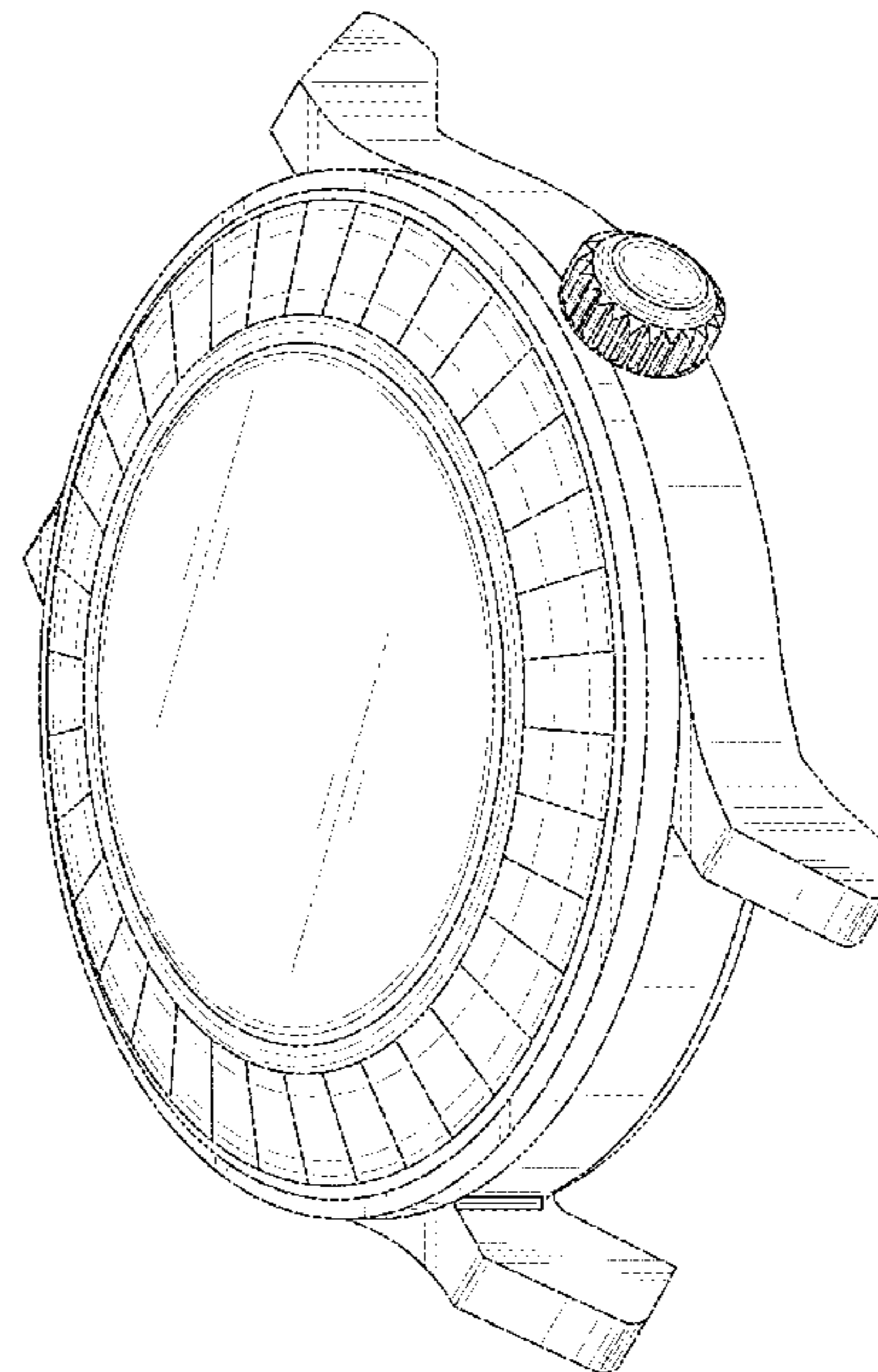
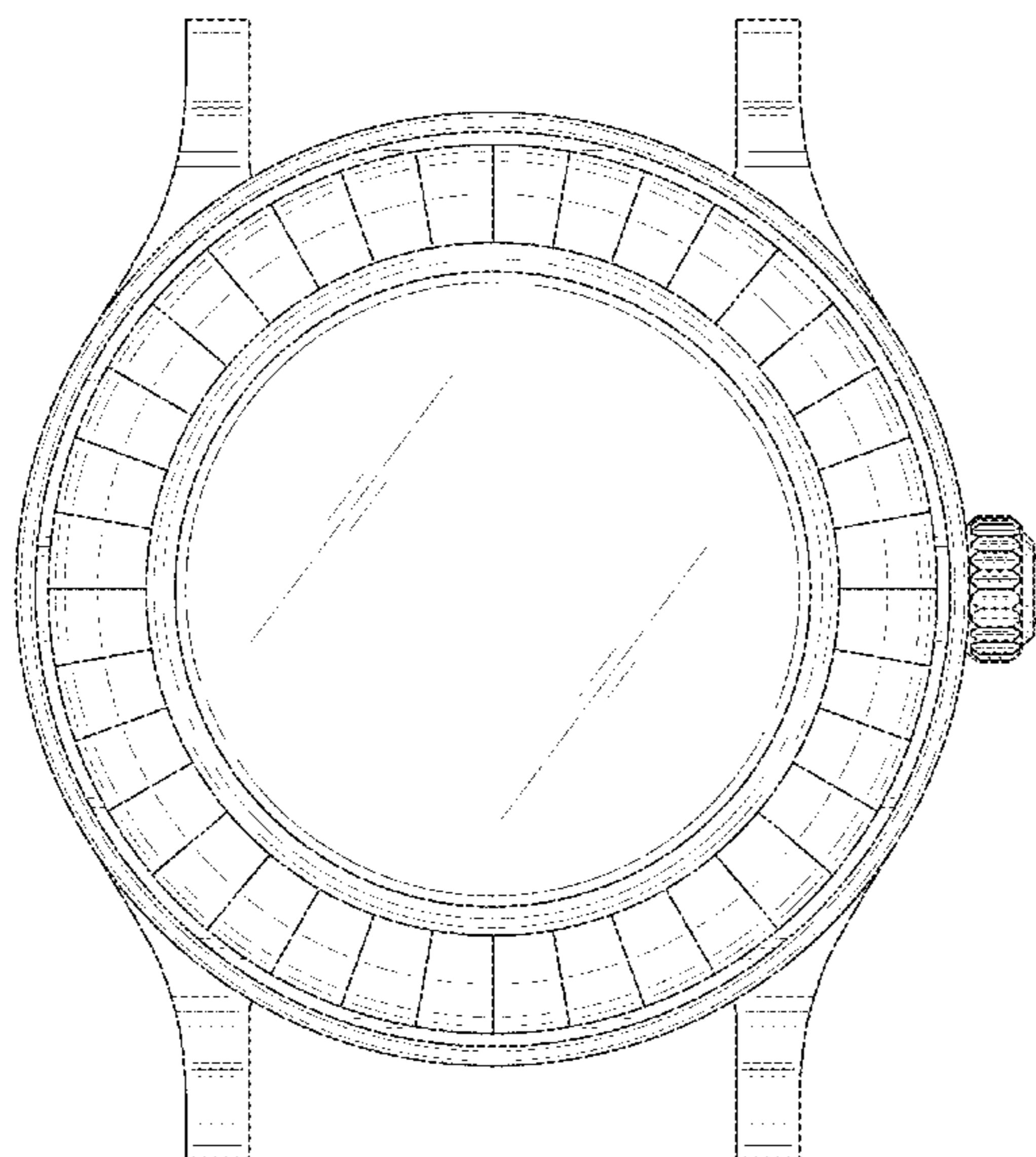
(57) **CLAIM**

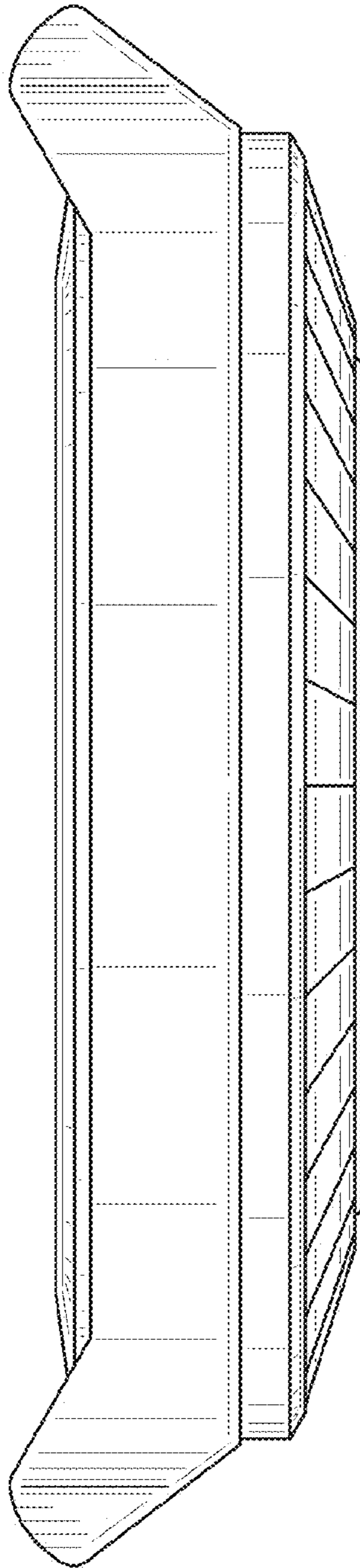
The ornamental design for a watchcase for a wristwatch, as shown and described.

**DESCRIPTION**

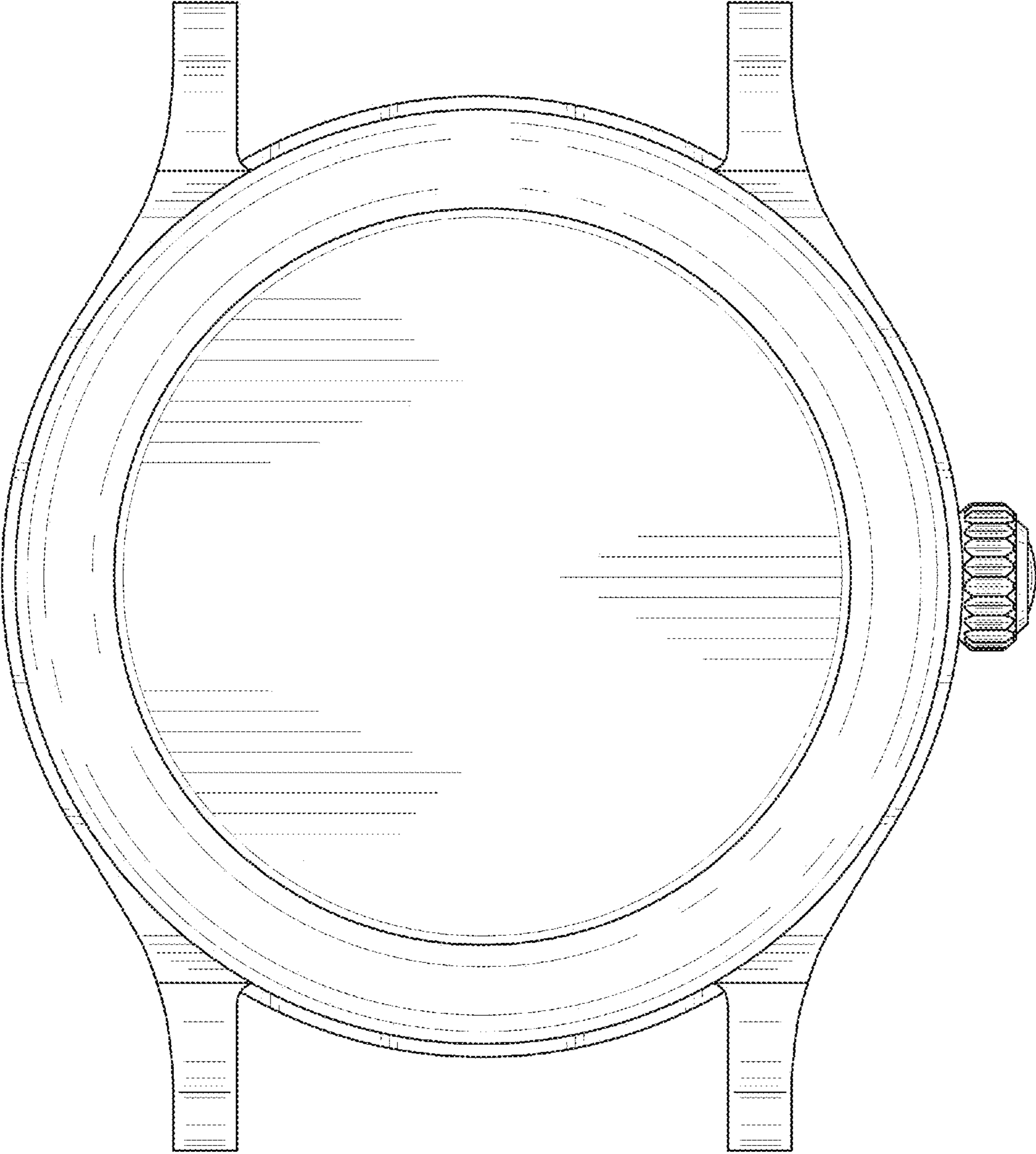
FIG. 1 is a left view of the invention;  
FIG. 2 is a rear view of the invention;  
FIG. 3 is a right view of the invention;  
FIG. 4 is a front view of the invention;  
FIG. 5 is a top view of the invention;  
FIG. 6 is a bottom view of the invention; and,  
FIG. 7 is a perspective view of the invention.

**1 Claim, 7 Drawing Sheets**

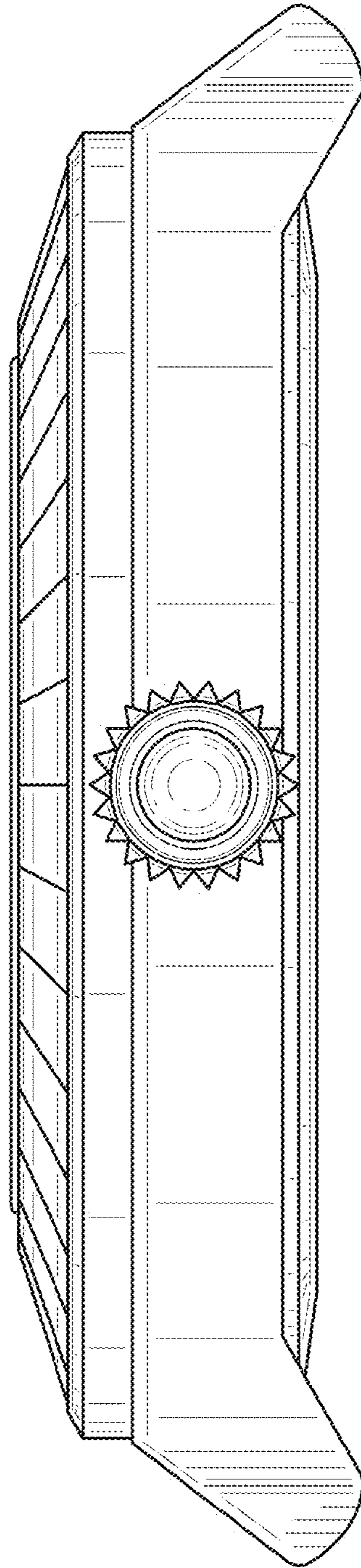




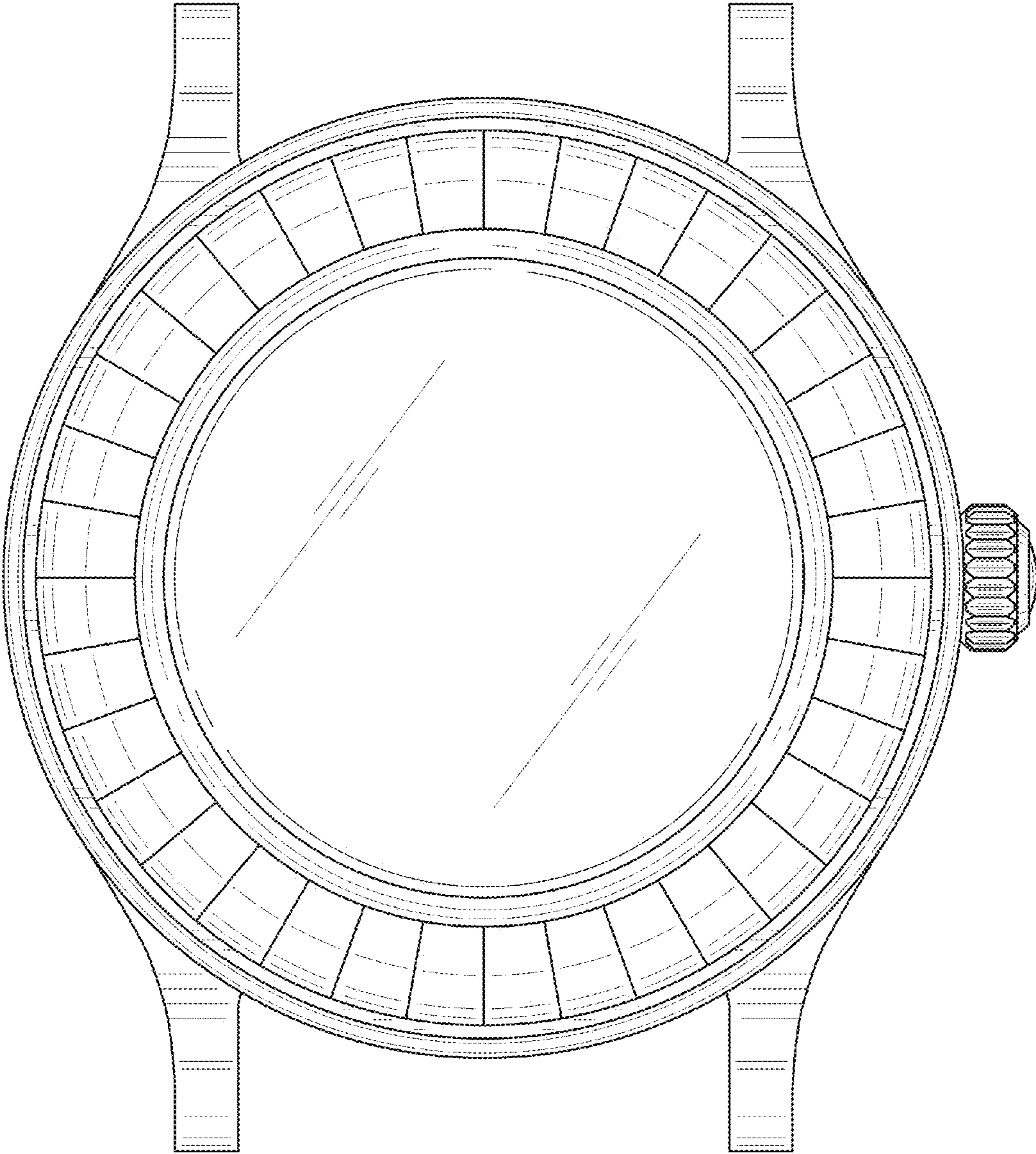
**FIG. 1**



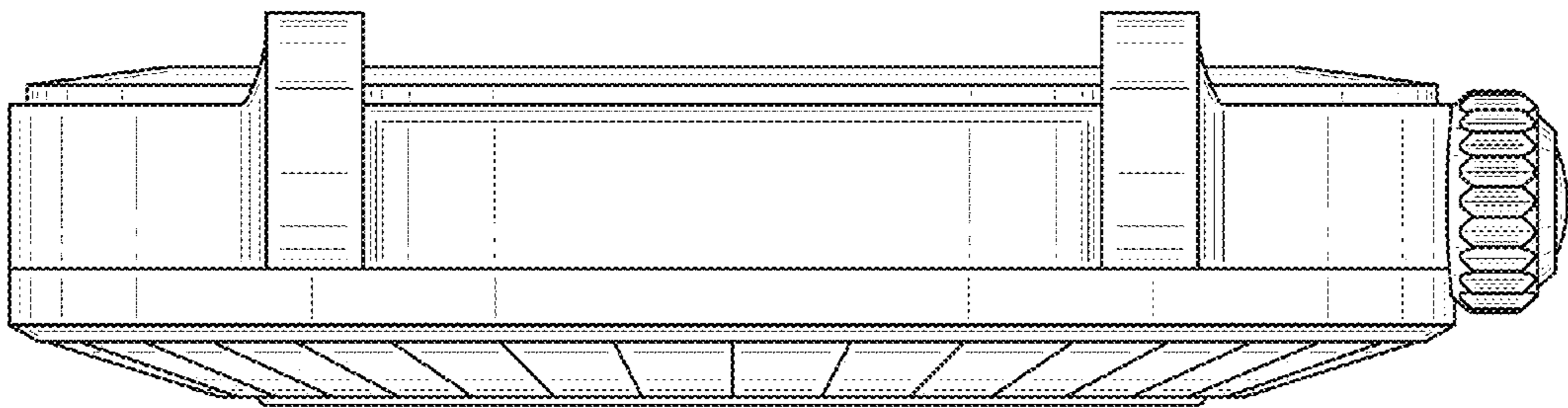
**FIG. 2**



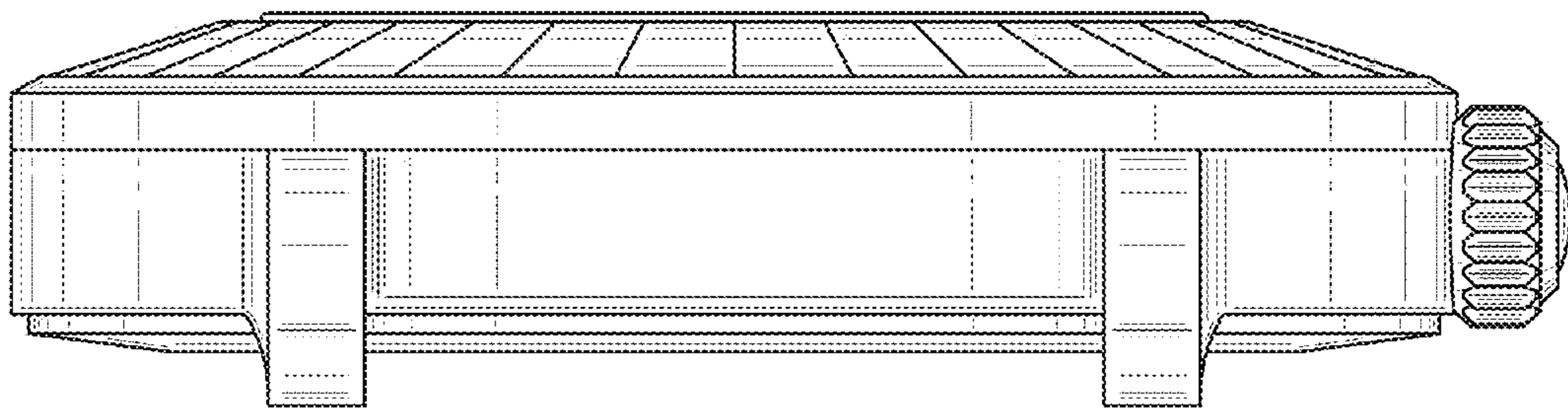
**FIG. 3**



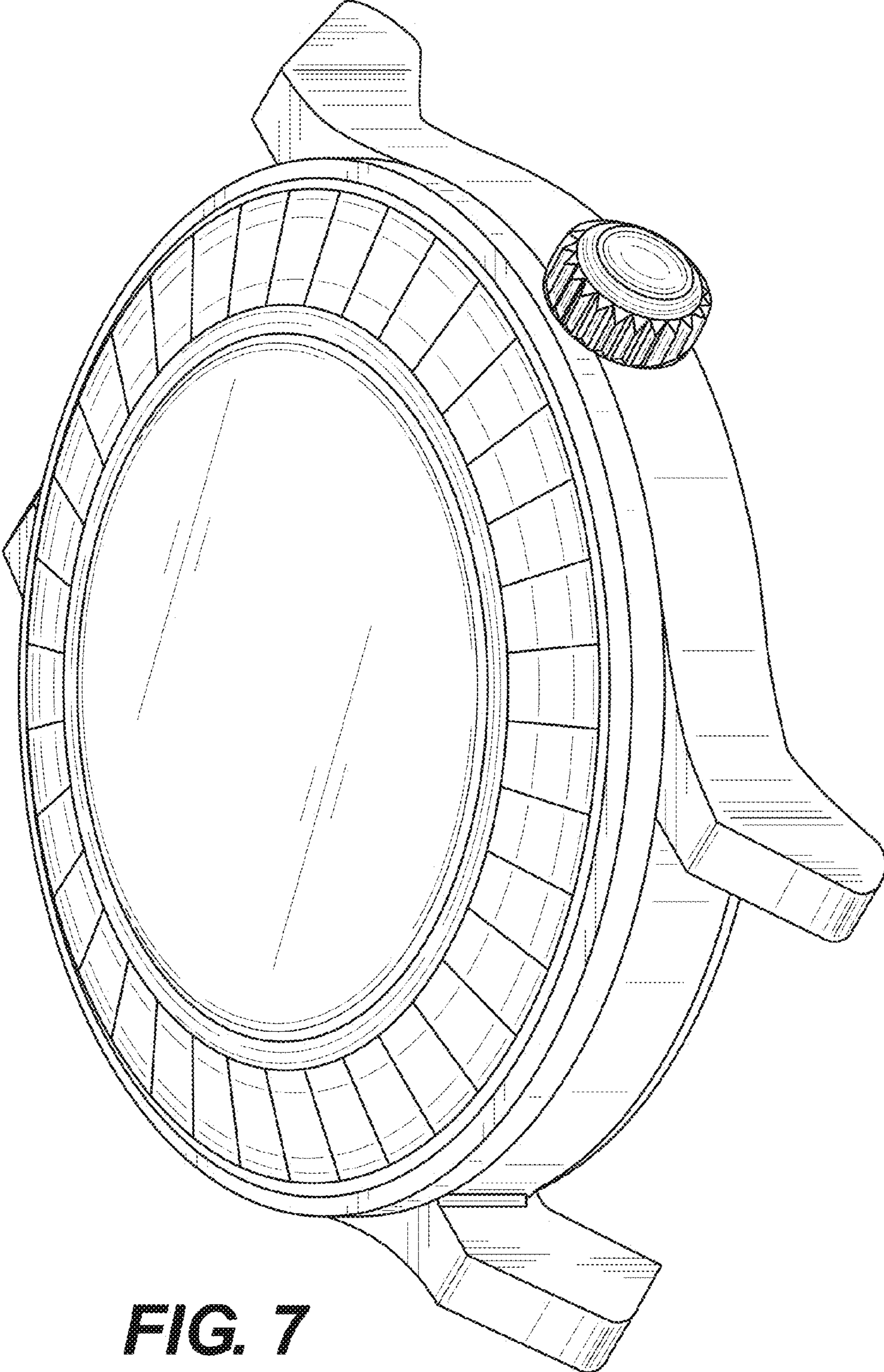
**FIG. 4**



**FIG. 5**



**FIG. 6**



**FIG. 7**