

US00D728383S

(12) **United States Design Patent**
Sifuentes et al.

(10) **Patent No.:** **US D728,383 S**
(45) **Date of Patent:** **** May 5, 2015**

(54) **BOWL AND TRAY**

(56)

References Cited

(71) Applicants: **Direct Pack, Inc.**, Sun Valley, CA (US);
FiveStar Gourmet Foods, Inc., Ontario,
CA (US)

(72) Inventors: **Gandhi B. Sifuentes**, West Convina, CA
(US); **Craig R. Snedden**, Culver City,
CA (US); **Tal Shoshan**, Alta Loma, CA
(US)

(73) Assignees: **Direct Pack, Inc.**, Azusa, CA (US);
FiveStar Gourmet Foods, Inc., Ontario,
CA (US)

(**) Term: **14 Years**

(21) Appl. No.: **29/478,774**

(22) Filed: **Jan. 8, 2014**

U.S. PATENT DOCUMENTS

3,070,275 A	12/1962	John	
D292,887 S	11/1987	Schouten	
4,807,776 A	2/1989	Cortopassi	
D444,058 S	6/2001	Hampshire et al.	
D513,979 S	1/2006	Snedden et al.	
D514,931 S	2/2006	Snedden et al.	
D517,405 S	3/2006	Snedden et al.	
D533,059 S *	12/2006	Knutson et al.	D9/435
D551,091 S	9/2007	Shahsavarani	
D578,388 S *	10/2008	Lynn et al.	D9/757
D587,109 S *	2/2009	Lyon et al.	D9/761
D588,451 S *	3/2009	Snedden et al.	D9/425
D597,379 S	8/2009	Changpan	
D607,284 S	1/2010	Ho	
D628,478 S	12/2010	Snedden et al.	
D628,479 S	12/2010	Snedden et al.	
D632,170 S	2/2011	Lawrence et al.	
D637,482 S *	5/2011	Snedden et al.	D9/425
D640,129 S	6/2011	Sifuentes et al.	
D640,544 S	6/2011	Sifuentes et al.	
D640,550 S *	6/2011	Snedden et al.	D9/431

(Continued)

Primary Examiner — Mark Goodwin

(74) Attorney, Agent, or Firm — Frost Brown Todd LLC

(57)

CLAIM

The ornamental design for a bowl and tray, as shown and described.

DESCRIPTION

FIG. 1 is a top perspective view of a bowl and tray, showing our new design;
FIG. 2 is a bottom perspective view thereof;
FIG. 3 is a front elevation view thereof;
FIG. 4 is a rear elevation view thereof;
FIG. 5 is a left elevation view thereof;
FIG. 6 is a right elevation view thereof;
FIG. 7 is a top plan view thereof; and,
FIG. 8 is a bottom plan view thereof.
The broken line showing of the bowl and tray elements is included for the purpose of illustrating portions of the bowl and tray and forms no part of the claimed design.

Related U.S. Application Data

(63) Continuation of application No. 29/438,980, filed on Dec. 5, 2012, now Pat. No. Des. 698,666.

(51) **LOC (10) Cl.** **09-03**

(52) **U.S. Cl.**

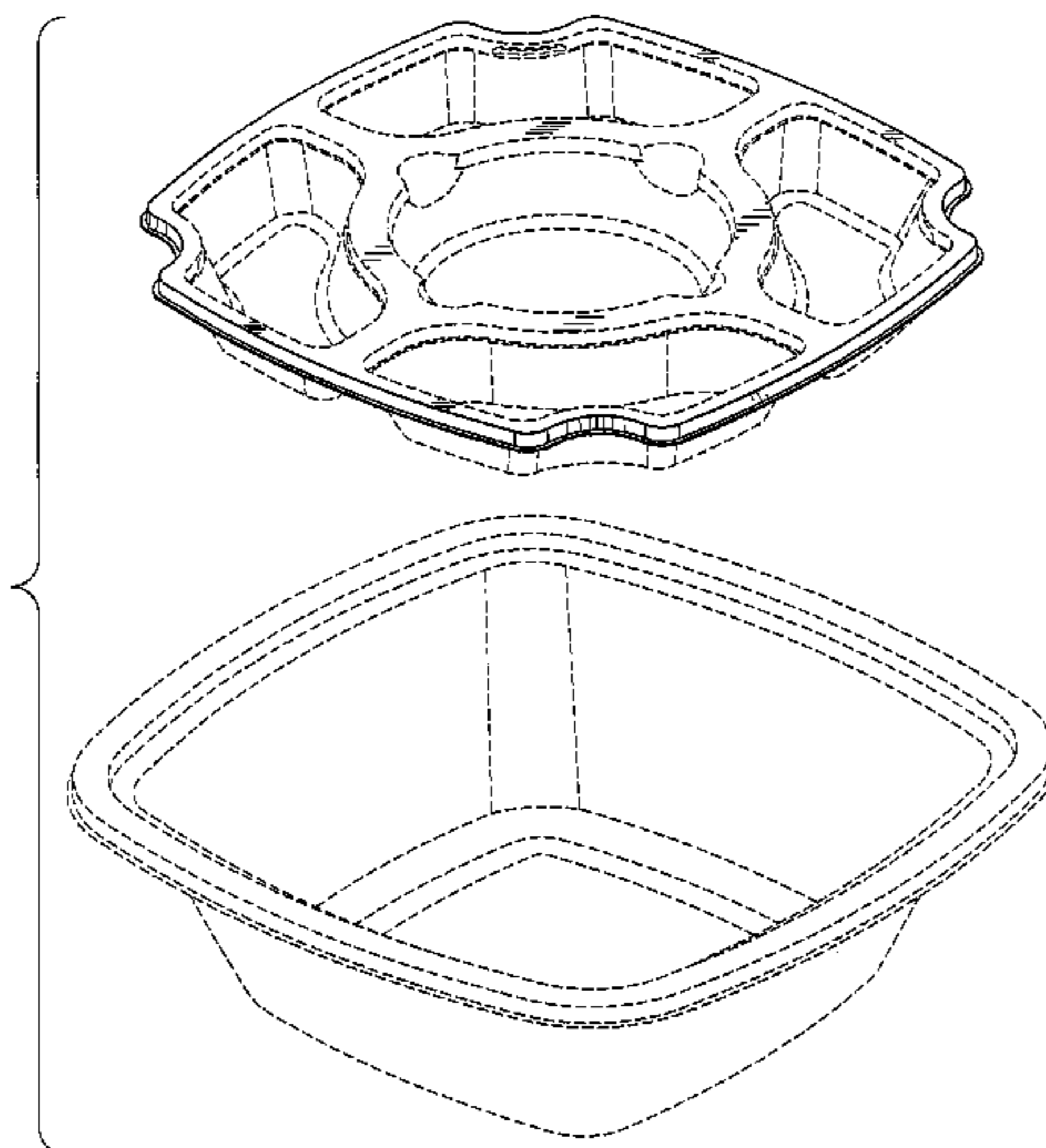
USPC **D9/761**; D9/425; D9/431

(58) **Field of Classification Search**

USPC D9/414, 419, 424, 425, 430, 431, 432,
D9/435, 761; D7/538, 549, 550.1,
D7/601-603, 605, 629; 229/105, 117.09,
229/117.26, 189, 406, 407, 902, 905,
229/915.1; 220/23.4, 23.6, 266, 281, 315,
220/318, 500, 659, 669, 674, 675, 696, 752,
220/760, 790, 793, DIG. 12, FOR. 117;
206/508, 557, 499

See application file for complete search history.

1 Claim, 8 Drawing Sheets



(56)

References Cited

U.S. PATENT DOCUMENTS

D642,484 S 8/2011 Birchmeier et al.
D642,937 S 8/2011 Birchmeier et al.
D646,969 S 10/2011 Snedden et al.
D646,984 S 10/2011 Moore et al.
D652,716 S * 1/2012 Snedden et al. D9/425
D655,606 S * 3/2012 Snedden et al. D9/452
D660,147 S 5/2012 Snedden et al.

D665,663 S 8/2012 Krupa
D666,904 S * 9/2012 Snedden et al. D9/424
D672,231 S * 12/2012 Snedden et al. D9/424
D683,211 S * 5/2013 Snedden et al. D9/424
D688,126 S 8/2013 Snedden et al.
D688,941 S 9/2013 Sifuentes et al.
D698,665 S * 2/2014 Sifuentes et al. D9/761
D698,666 S * 2/2014 Sifuentes et al. D9/761
D698,667 S * 2/2014 Snedden et al. D9/761
D708,942 S * 7/2014 Snedden et al. D9/435

* cited by examiner

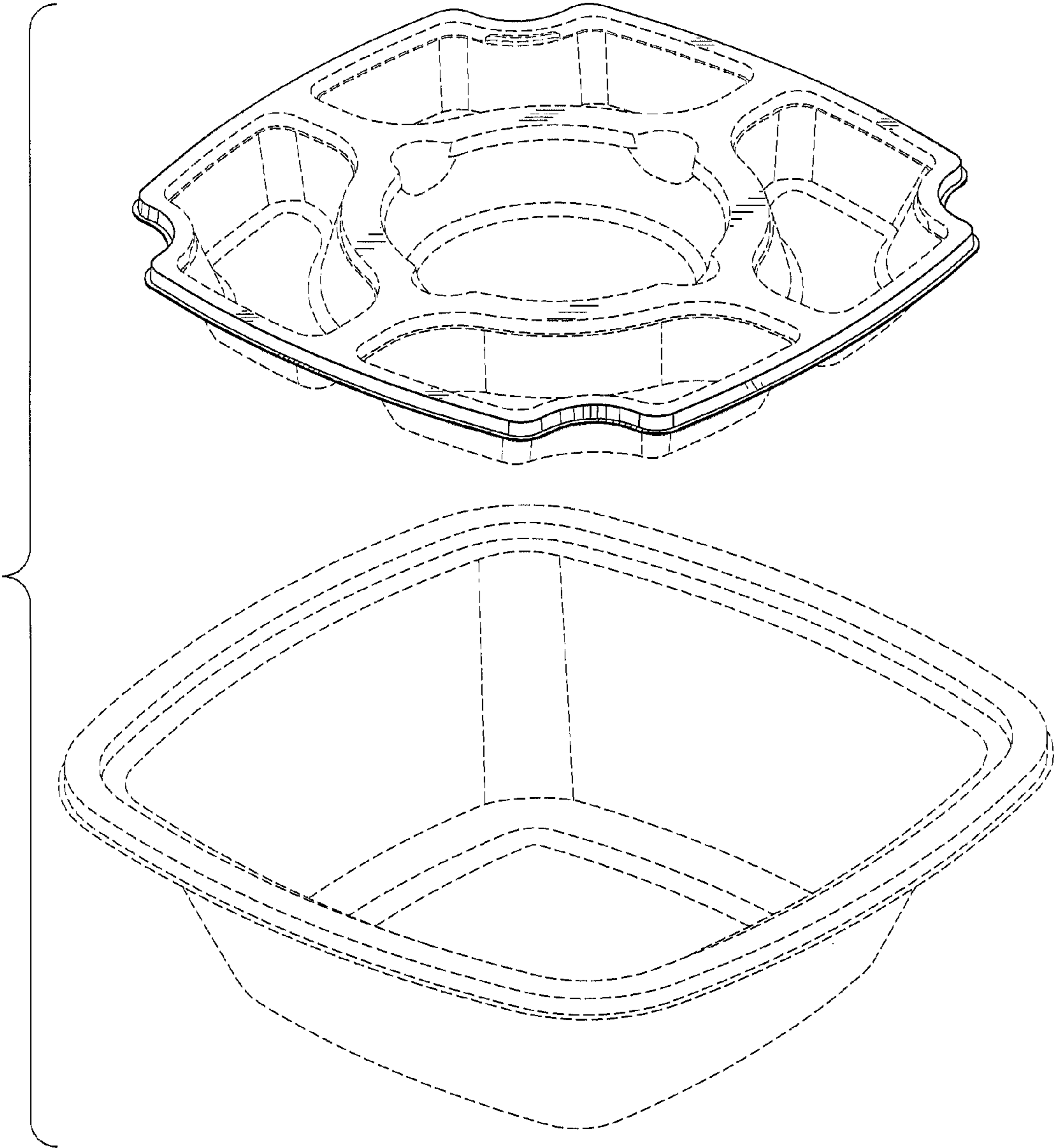


Fig. 1

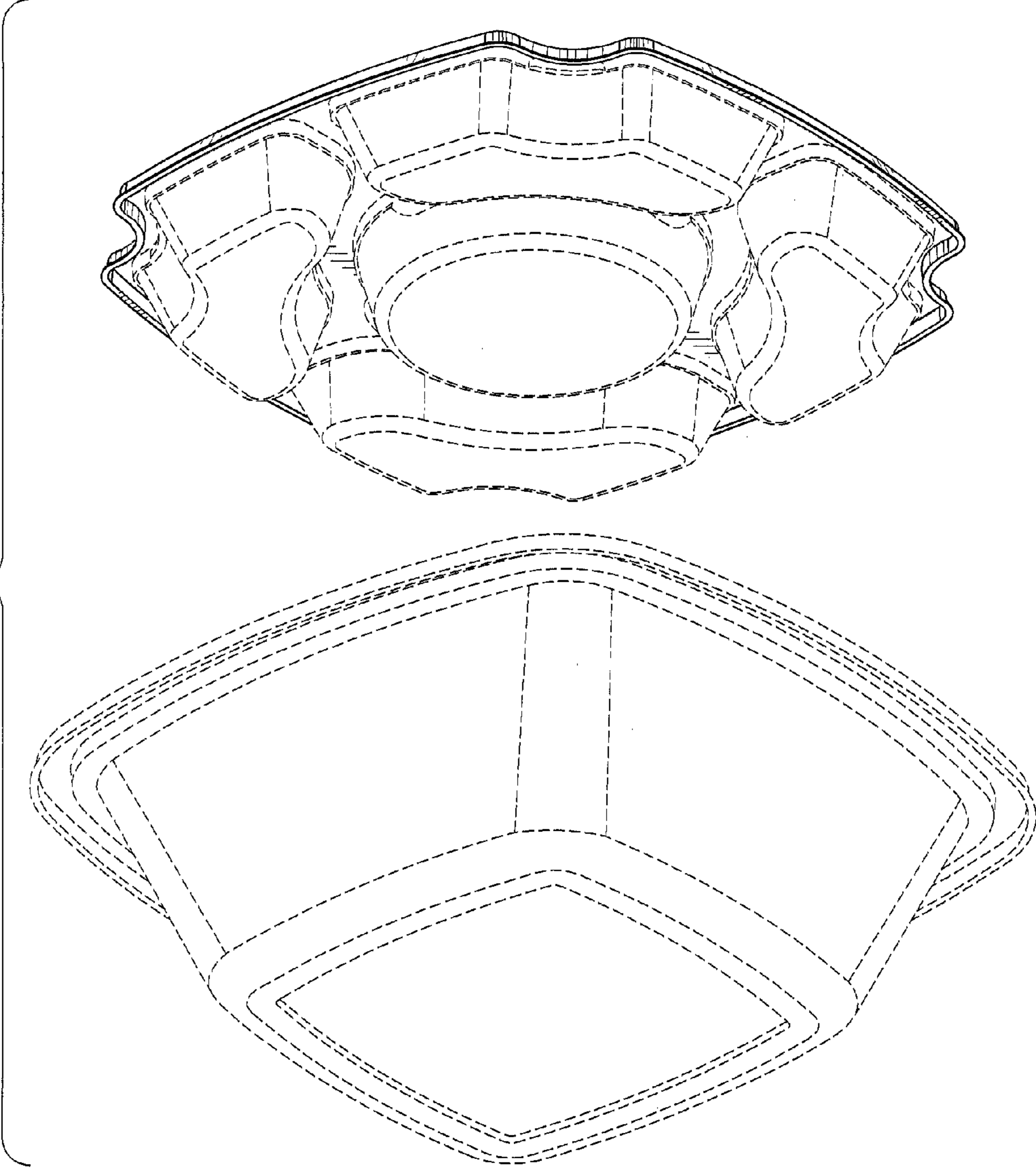


Fig.2

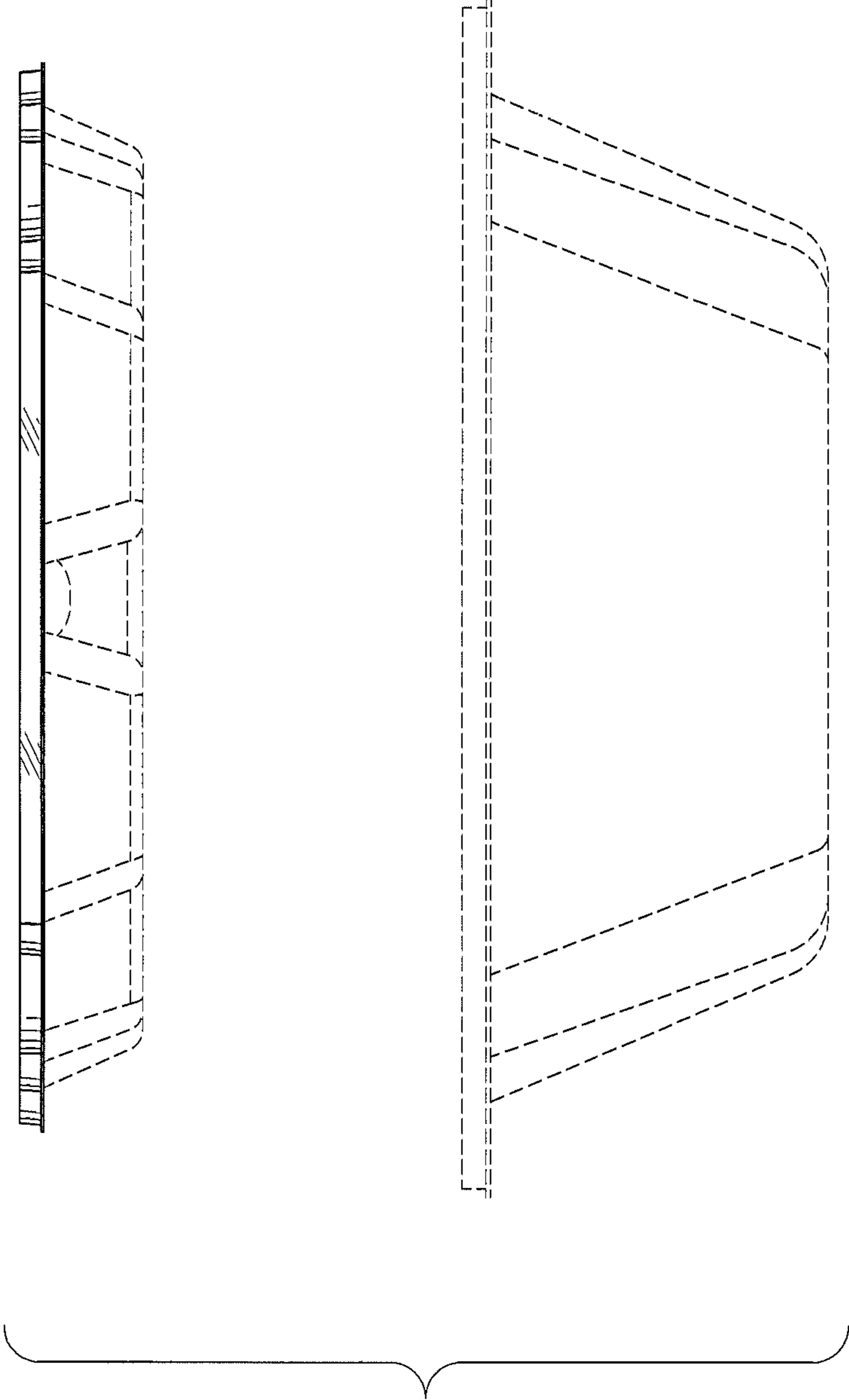


Fig. 3

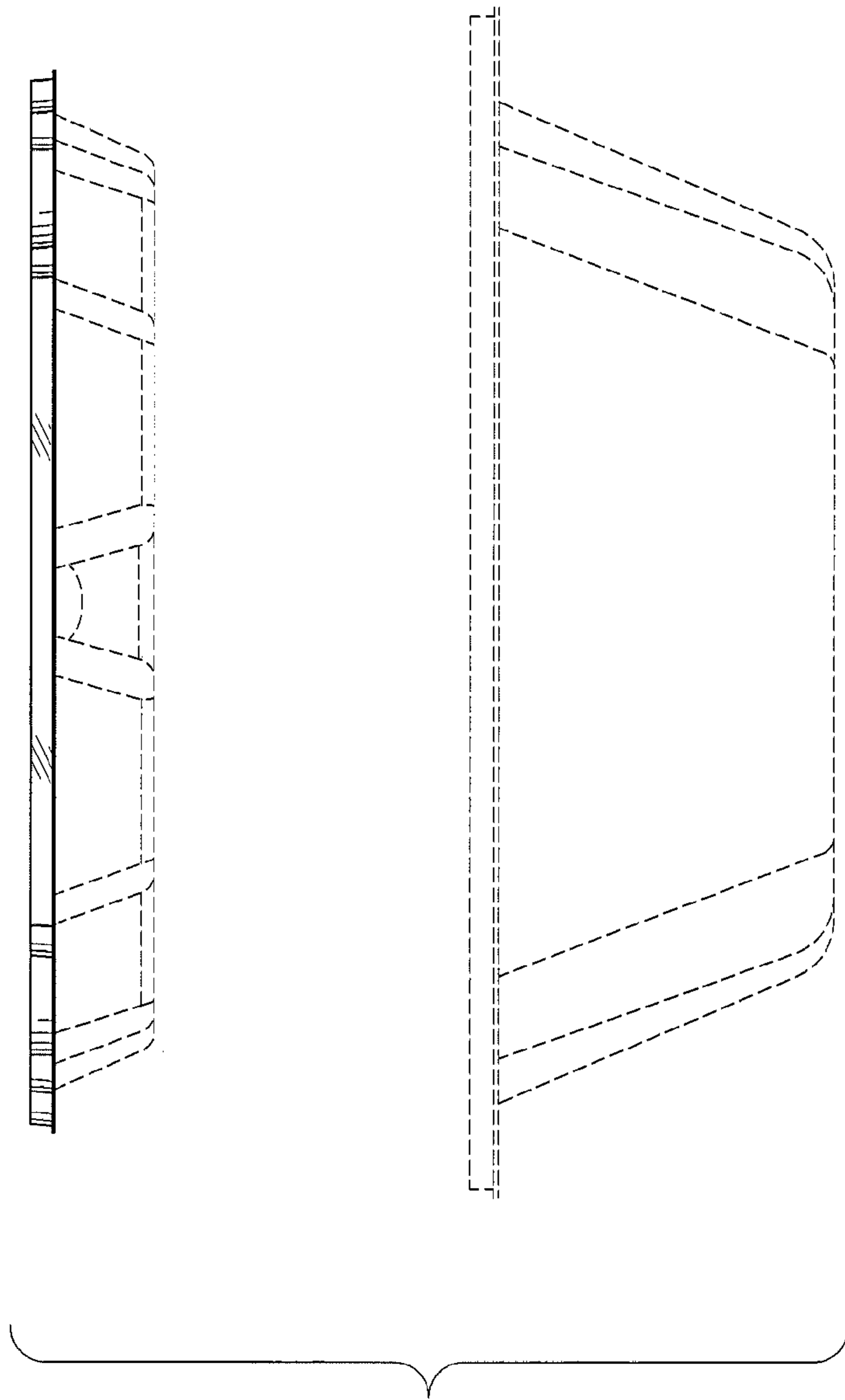


Fig. 4

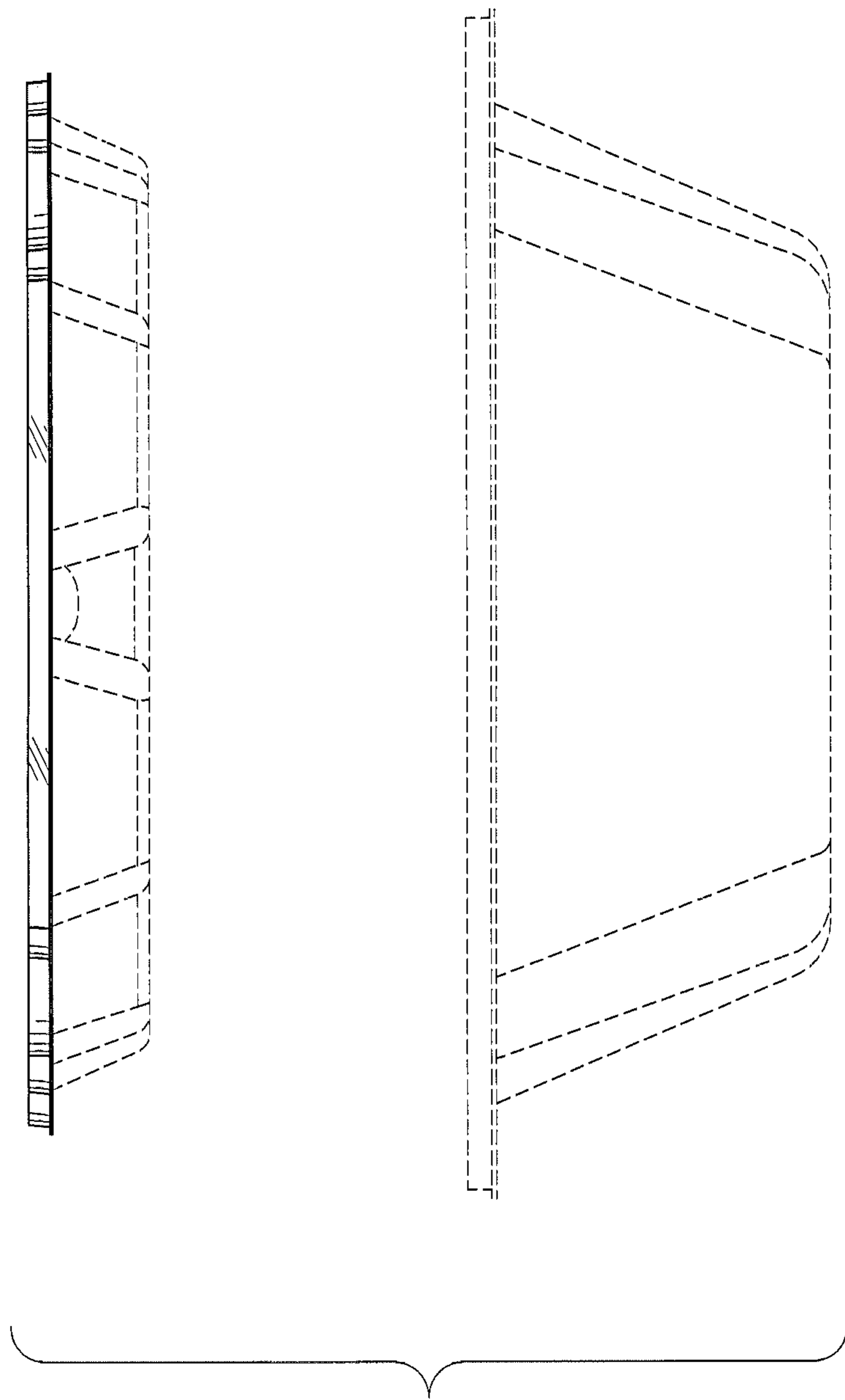


Fig. 5

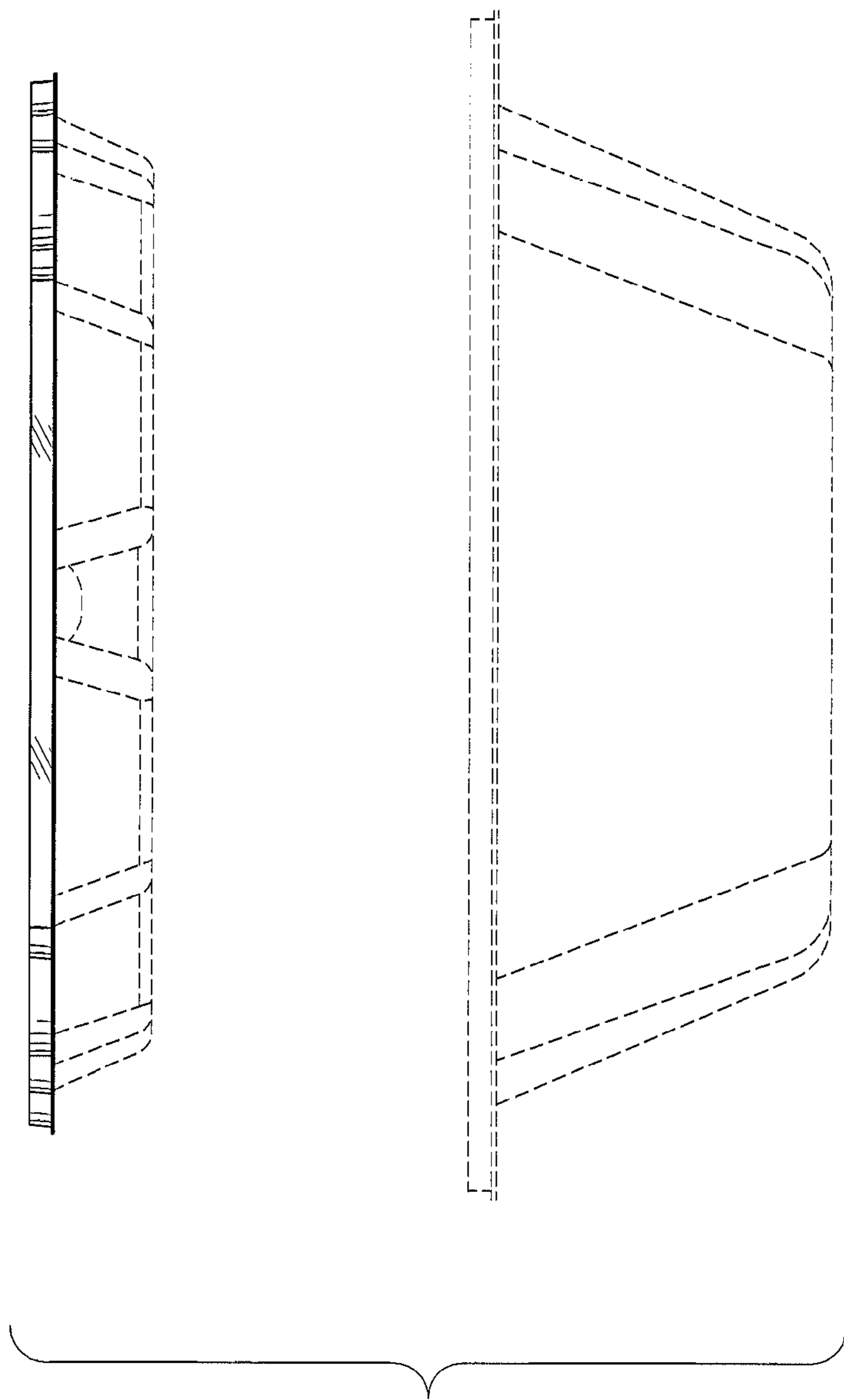


Fig. 6

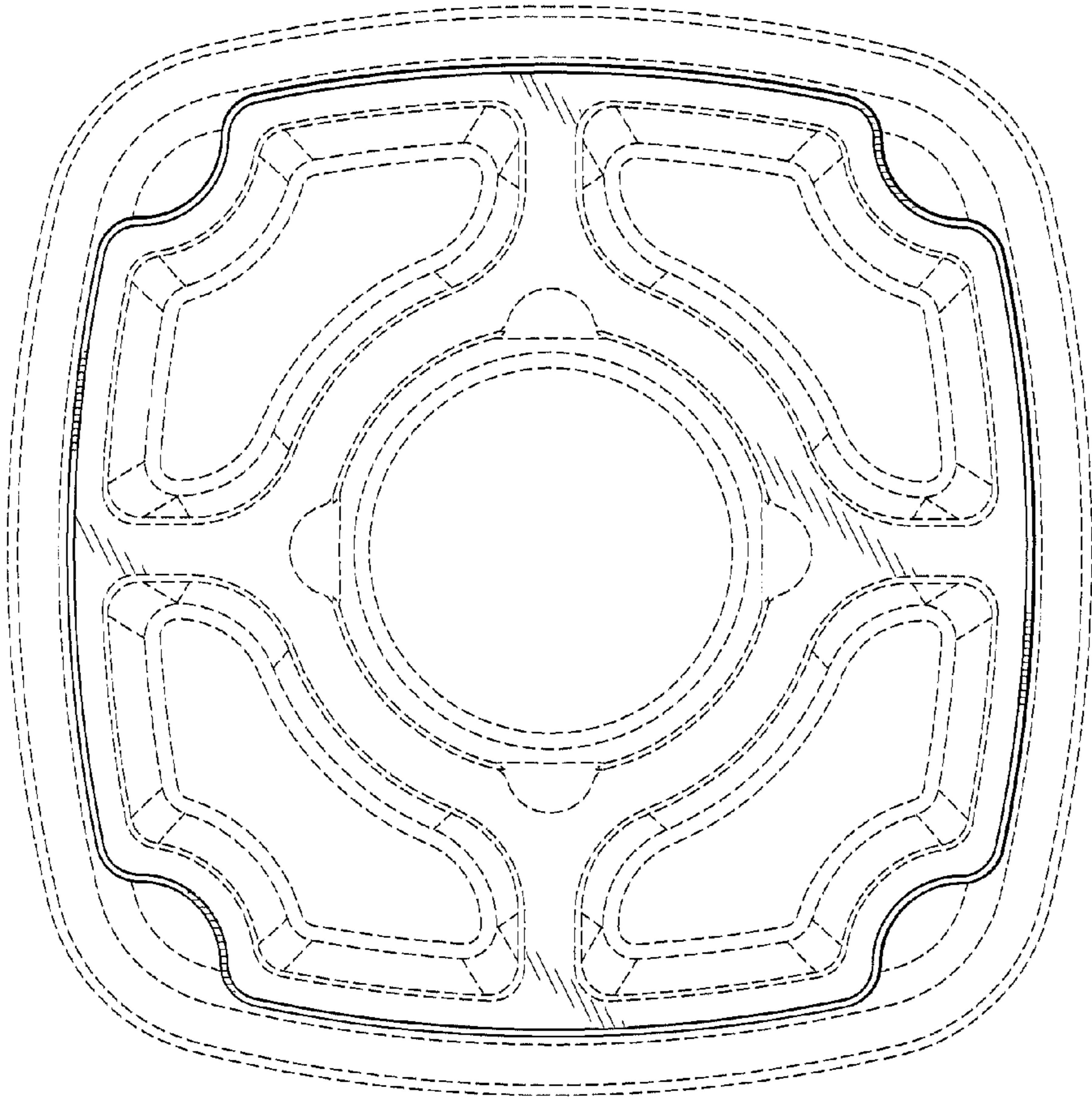


Fig. 7

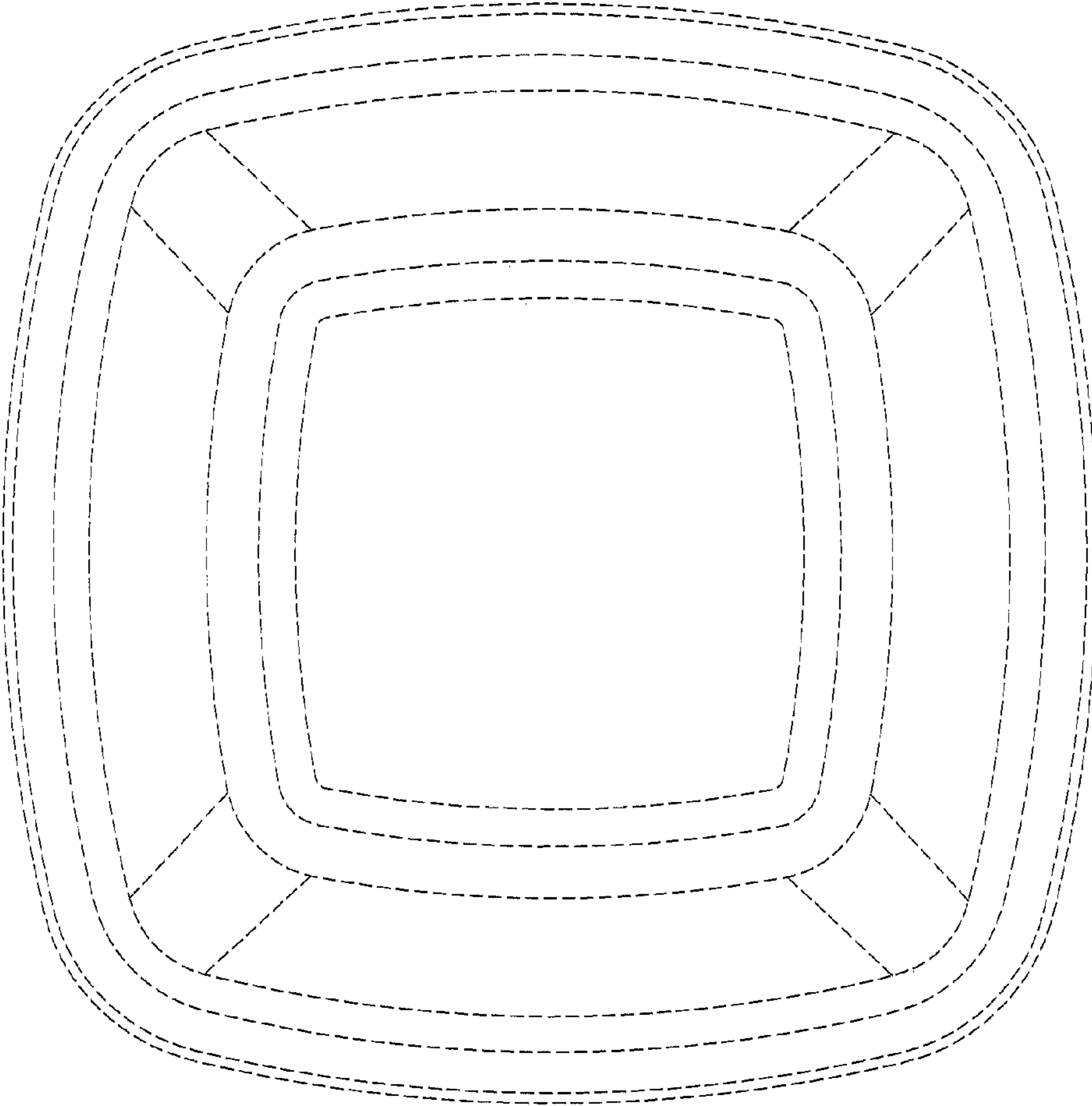


Fig. 8

UNITED STATES PATENT AND TRADEMARK OFFICE
CERTIFICATE OF CORRECTION

PATENT NO. : D728,383 S
APPLICATION NO. : 29/478774
DATED : May 5, 2015
INVENTOR(S) : Sifuentes et al.

Page 1 of 1

It is certified that error appears in the above-identified patent and that said Letters Patent is hereby corrected as shown below:

Title Page, Item (72) Inventor is corrected to read:
-- Gandhi B. Sifuentes, West Convina (CA);
Tal Shoshan, Alta Loma (CA) --.

Signed and Sealed this
Twenty-seventh Day of October, 2015



Michelle K. Lee
Director of the United States Patent and Trademark Office