



US00D728382S

(12) **United States Design Patent**  
**Goswell**

(10) **Patent No.:** **US D728,382 S**  
(45) **Date of Patent:** **\*\* May 5, 2015**

(54) **MULTI-COMPONENT RECEPTACLE**

(71) Applicant: **HCT Group Holdings Limited**, Santa Monica, CA (US)

(72) Inventor: **Rebecca Louise Goswell**, Richmond (GB)

(73) Assignee: **HCT Group Holdings Limited**, Santa Monica, CA (US)

(\*\*) Term: **14 Years**

(21) Appl. No.: **29/457,600**

(22) Filed: **Jun. 11, 2013**

(51) **LOC (10) Cl.** ..... **09-01**

(52) **U.S. Cl.**  
USPC ..... **D9/745; D9/504**

(58) **Field of Classification Search**

CPC ..... B65D 1/00; B65D 1/02; B65D 1/0223;  
B65D 1/04; B65D 21/00; B65D 21/02;  
B65D 21/0201; B65D 21/0204; B65D 23/00;  
B65D 2501/00; B65D 2501/0009  
USPC ..... D9/434-435, 444-445, 454, 500,  
D9/502-505, 516, 529, 544-545, 549, 558,  
D9/682, 684, 686, 688-691, 715, 719,  
D9/737-738, 741, 743-745; D7/300,  
D7/300.1, 598; D23/366; D28/73, 76-77,  
D28/91.1; 215/379, 381-382; 220/660, 662,  
220/675

See application file for complete search history.

(56) **References Cited**

**U.S. PATENT DOCUMENTS**

D164,327 S \* 8/1951 Roehrich ..... D9/746  
D197,192 S \* 12/1963 Lorensen ..... D9/504  
D215,083 S \* 9/1969 Carter ..... D4/116  
D234,394 S \* 2/1975 Metzger ..... D9/529  
D237,926 S \* 12/1975 Katzander ..... D6/529  
D241,120 S \* 8/1976 Dekker ..... D9/504  
D253,396 S \* 11/1979 Hasegawa et al. .... D9/504

D253,458 S \* 11/1979 Hasegawa et al. .... D9/777  
D253,459 S \* 11/1979 Hasegawa et al. .... D9/504  
D280,135 S \* 8/1985 Cassai et al. .... D28/7  
D293,612 S 1/1988 Bulwik  
D373,730 S \* 9/1996 Baron ..... D9/504  
D401,017 S 11/1998 Thorpe  
D406,921 S \* 3/1999 Roeder ..... D28/7  
D424,115 S \* 5/2000 Kuboshima ..... D19/66  
D428,209 S 7/2000 Kudo et al.  
D432,224 S \* 10/2000 Hautmann et al. .... D23/366  
D460,545 S \* 7/2002 Hautmann et al. .... D23/366  
D462,809 S 9/2002 LaSpina et al.  
D463,262 S \* 9/2002 Gobe ..... D9/689  
D474,341 S \* 5/2003 Cantone et al. .... D4/116

(Continued)

**OTHER PUBLICATIONS**

Non-Final Office Action for U.S. Appl. No. 29/457,552, mailed on Oct. 3, 2014, Goswell, "Hinged Cosmetic Receptacle," 4 pages.

*Primary Examiner* — Ian Simmons

*Assistant Examiner* — Dana L Meyrow

(74) *Attorney, Agent, or Firm* — Lee & Hayes, PLLC

(57) **CLAIM**

The ornamental design for a multi-component receptacle, as shown and described.

**DESCRIPTION**

FIG. 1 is an exploded top perspective view of a multi-component receptacle showing my new design;

FIG. 2 is a top perspective view thereof in the assembled condition;

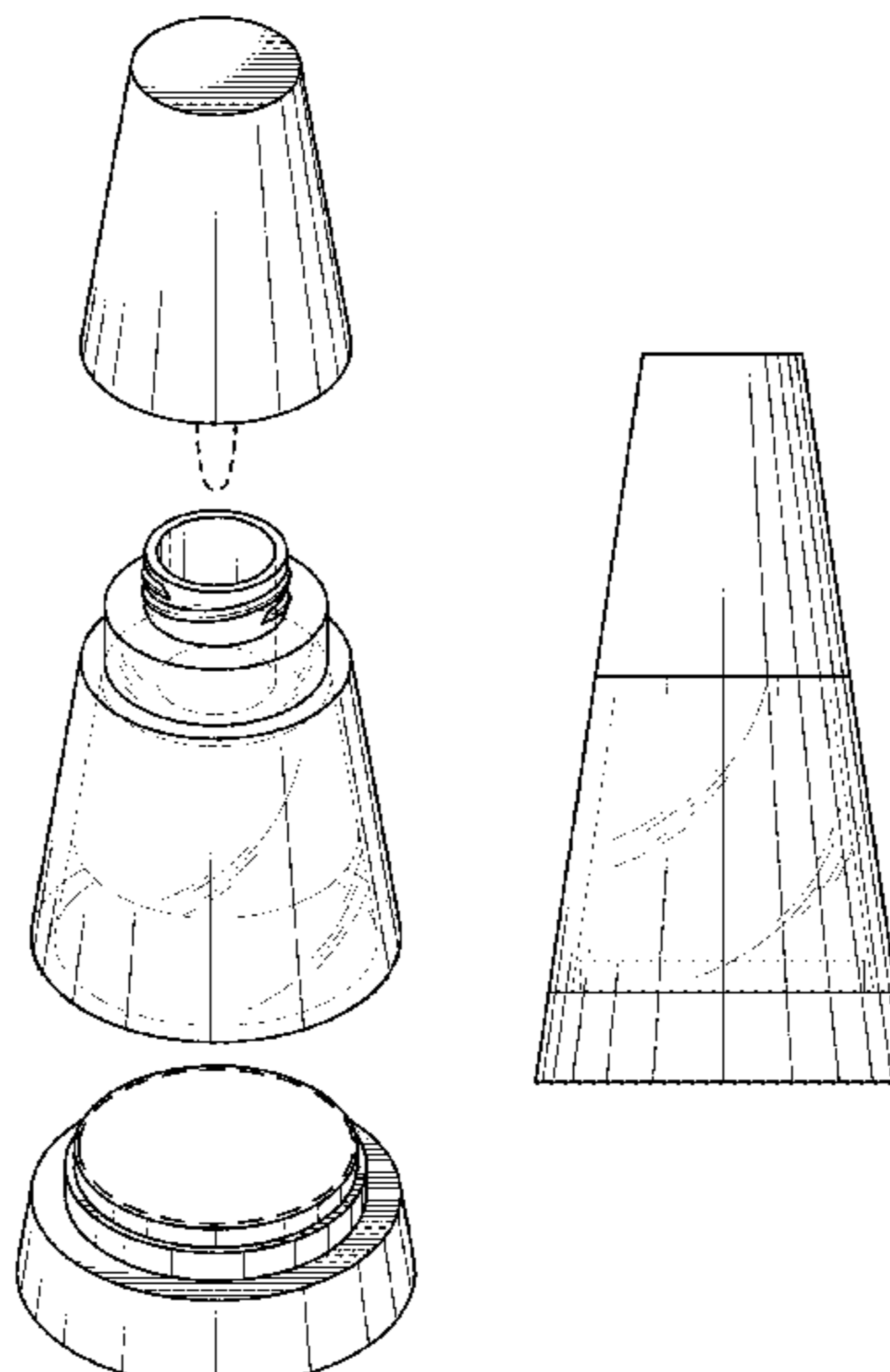
FIG. 3 is a front elevation view thereof, the right side, left side, and rear elevation views being identical;

FIG. 4 is a top plan view thereof; and,

FIG. 5 is a bottom plan view thereof.

The broken lines form no part of the claimed design. The claimed design extends to the broken line boundaries in FIGS. 1, 2, and 5, but does not include the boundaries or the areas within the boundaries.

**1 Claim, 3 Drawing Sheets**



(56)

**References Cited**

U.S. PATENT DOCUMENTS

D478,689 S 8/2003 Thorpe  
D479,016 S 8/2003 Sgariboldi  
D482,284 S \* 11/2003 Cantone et al. .... D9/502  
6,923,589 B2 8/2005 Blackwell  
D539,481 S 3/2007 Lui  
D566,899 S 4/2008 De Baschmakoff  
D576,354 S 9/2008 Dominski et al.  
D576,770 S 9/2008 Mascotte et al.  
D600,857 S 9/2009 Maddy et al.  
D611,657 S 3/2010 Maddy et al.

D620,807 S \* 8/2010 Wang Treadway et al. ... D9/691  
D634,977 S \* 3/2011 Mouquet ..... D7/598  
D637,910 S \* 5/2011 Yeung ..... D9/504  
D638,710 S \* 5/2011 Yeung ..... D9/504  
D685,637 S \* 7/2013 Colon et al. .... D9/500  
2004/0200755 A1 10/2004 Gueret  
2007/0029226 A1 2/2007 Yuhara et al.  
2010/0008074 A1 1/2010 Kang  
2010/0288299 A1 11/2010 Won  
2012/0136748 A1 5/2012 Shasteen et al.  
2012/0282008 A1 11/2012 Geuther et al.  
2013/0121748 A1 5/2013 Ramirez

\* cited by examiner

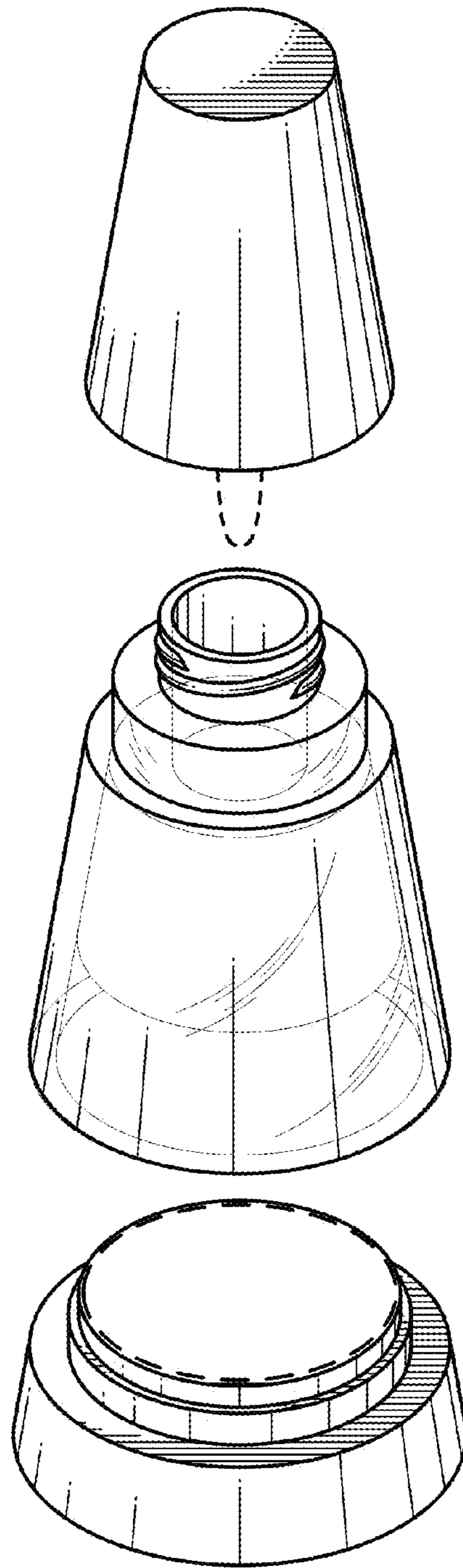


FIG. 1

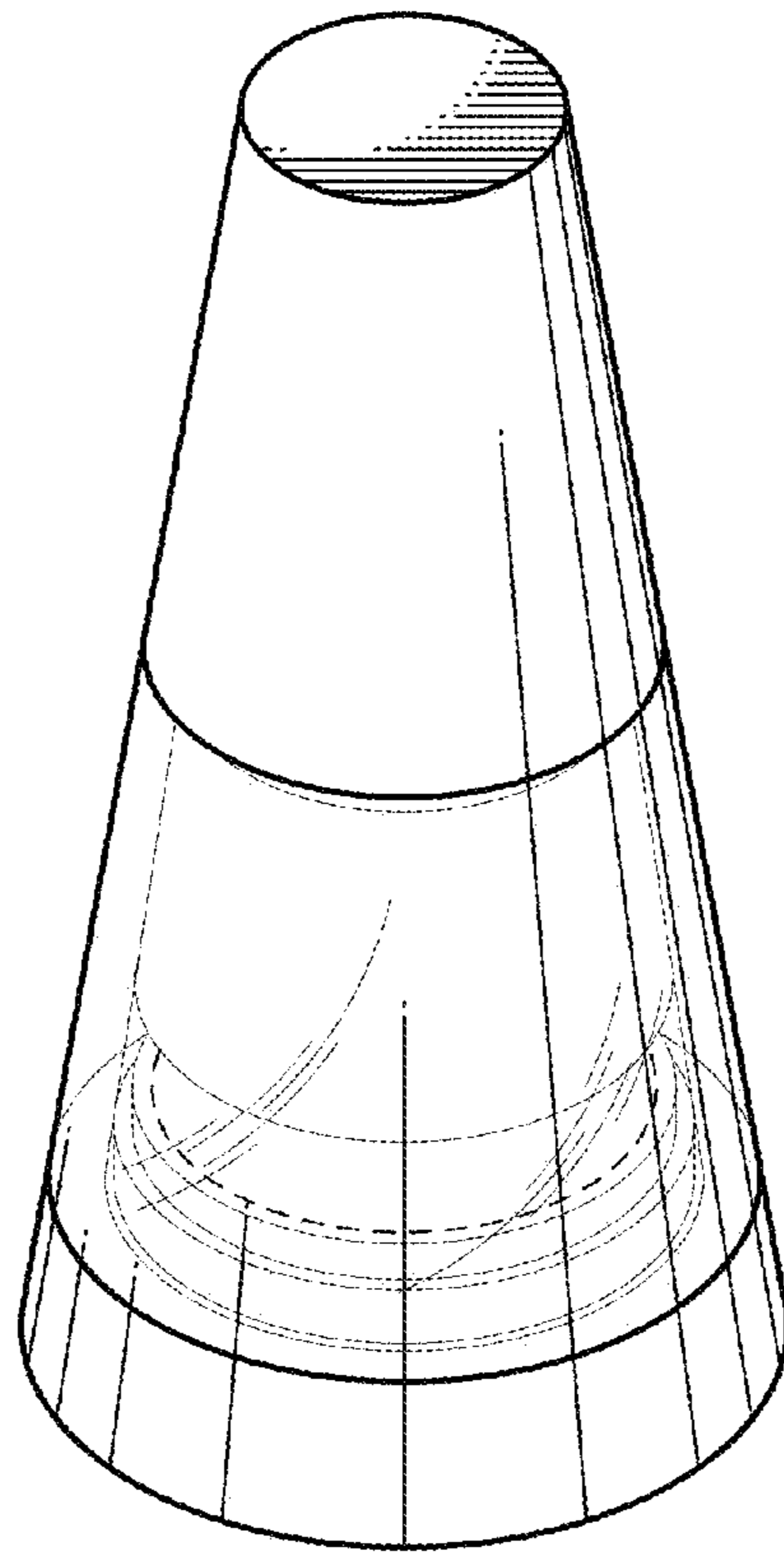


FIG. 2

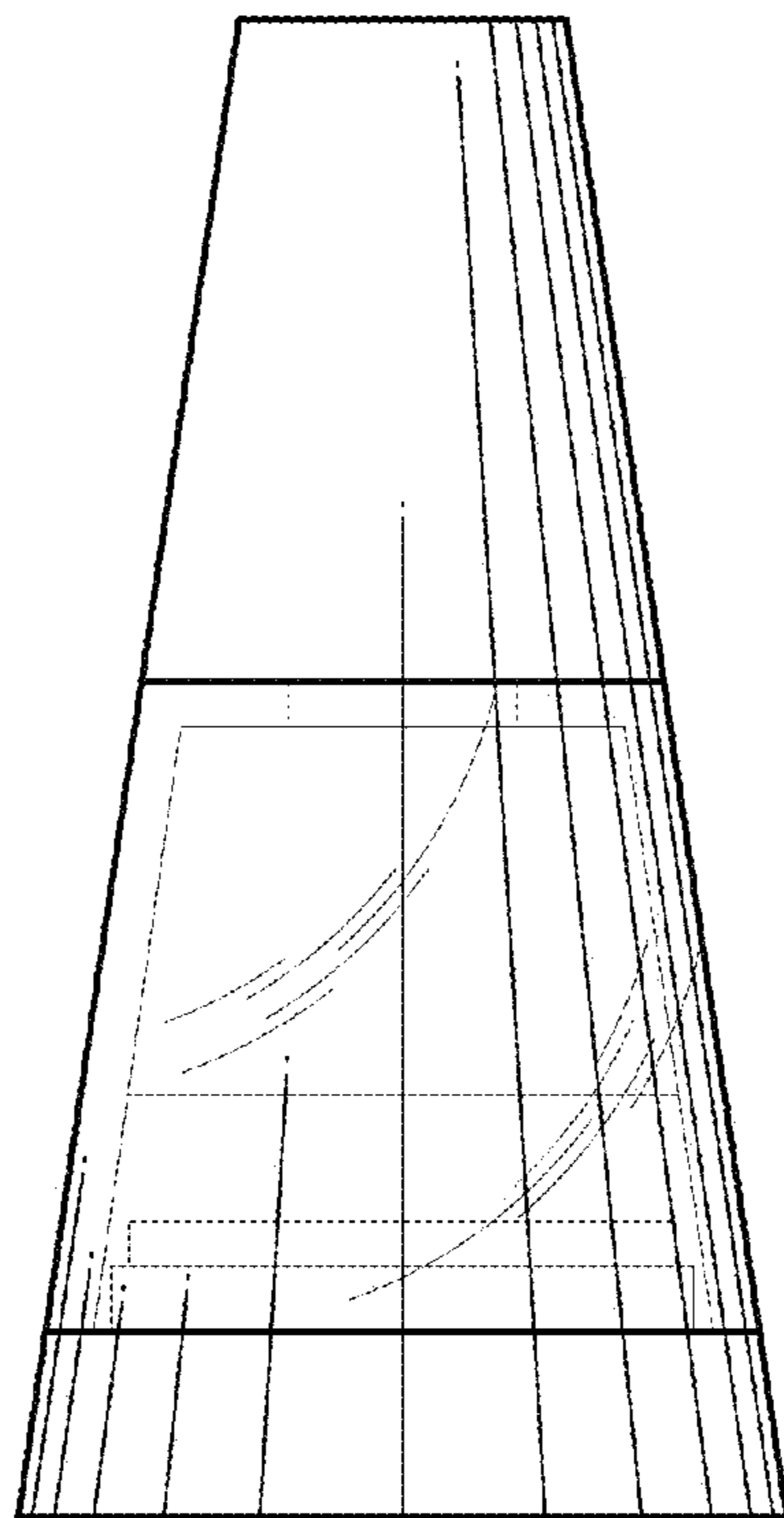


FIG. 3

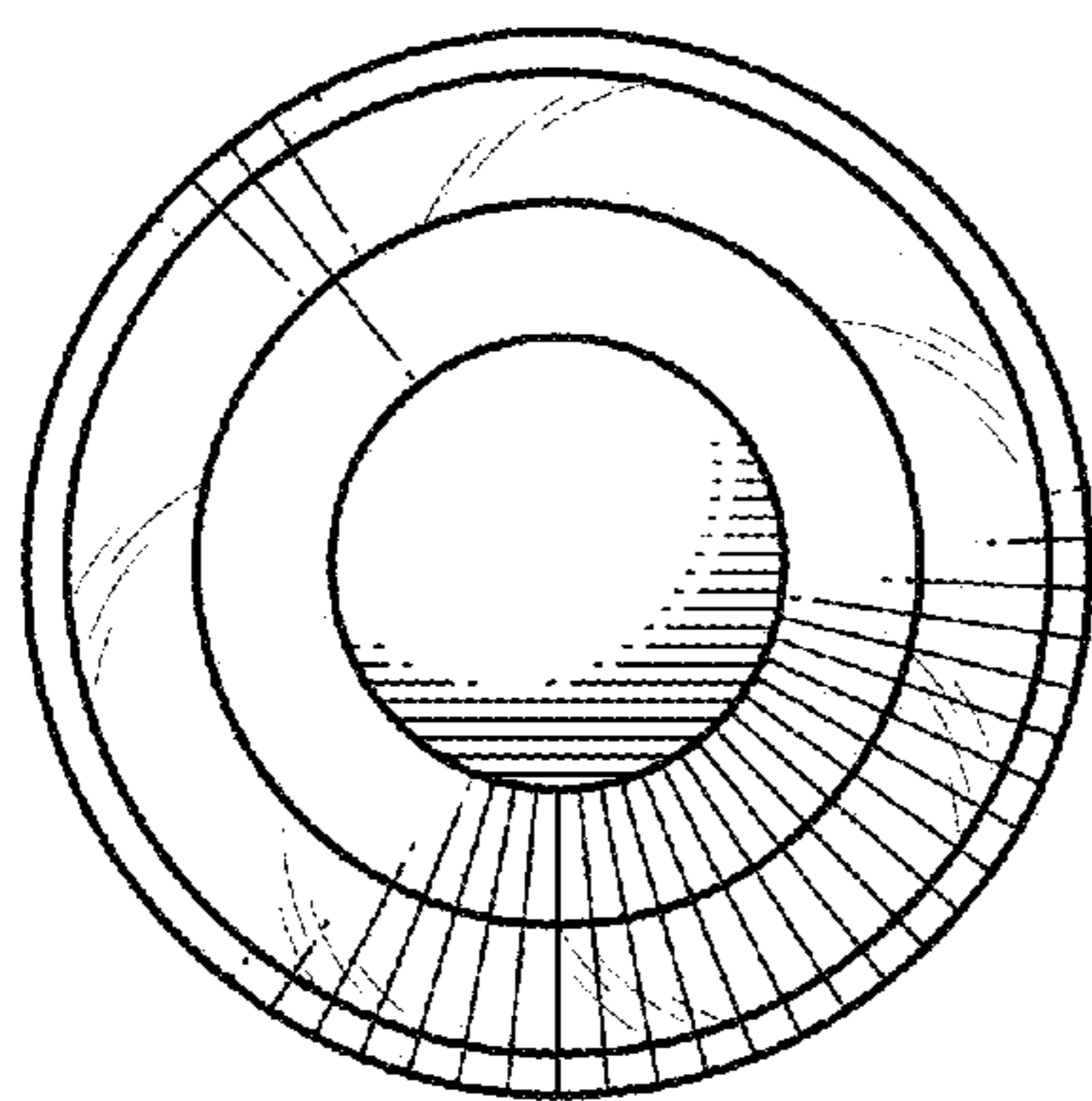


FIG. 4

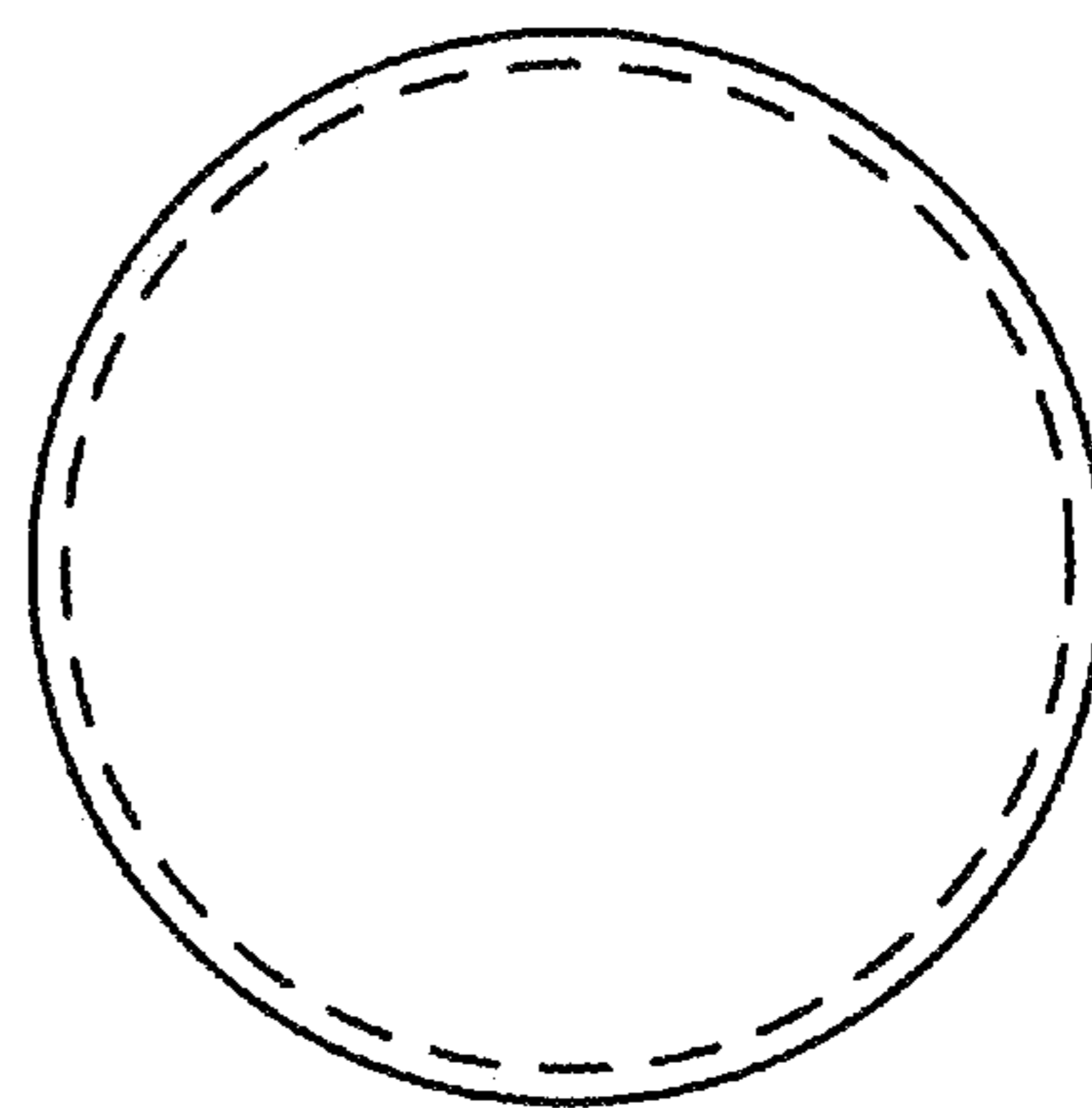


FIG. 5