



US00D728381S

(12) **United States Design Patent**
Ferraro

(10) **Patent No.:** **US D728,381 S**

(45) **Date of Patent:** **** May 5, 2015**

(54) **CONTAINER HAVING TWO OPENINGS**

(71) Applicant: **UView Ultraviolet Systems Inc.**,
Mississauga, Ontario (CA)

(72) Inventor: **Tony Ferraro**, Mississauga (CA)

(73) Assignee: **CPS Products Canada Ltd.**, Ontario
(CA)

(**) Term: **14 Years**

(21) Appl. No.: **29/471,713**

(22) Filed: **Nov. 4, 2013**

(51) **LOC (10) Cl.** **09-01**

(52) **U.S. Cl.**
USPC **D9/741; D9/524**

(58) **Field of Classification Search**
CPC B65D 1/00; B65D 1/02; B65D 1/04;
B65D 23/00; B65D 81/00; B65D 81/001;
B65D 81/32; B65D 81/3205; B65D 81/3288;
B65D 2501/0009; B65D 2501/0081
USPC D9/516, 522-524, 547, 572, 575, 715,
D9/719, 738-741, 747; D10/46.3, 96, 101;
215/6, 379, 381-383; 220/501, 505,
220/660, 675; 222/129, 133
See application file for complete search history.

(56) **References Cited**

U.S. PATENT DOCUMENTS

D292,268 S * 10/1987 Costa D9/741
D379,063 S * 5/1997 Sill, Jr. D9/741
5,692,945 A * 12/1997 Crowell et al. 446/183
D497,104 S * 10/2004 Best et al. D9/740
D564,364 S * 3/2008 White et al. D9/741
D651,907 S * 1/2012 Dennis et al. D9/543

D654,813 S * 2/2012 Jennings et al. D9/741
D677,571 S * 3/2013 Jennings et al. D9/523
8,641,891 B1 * 2/2014 Crowder 210/136
D706,645 S * 6/2014 Jennings et al. D9/742

OTHER PUBLICATIONS

Twin Neck Bettix Bottles/U.S. Plastics Corp.—<http://www.usplastic.com/catalog/item.aspx?itemid=22892>, retrieved Apr. 14, 2014.

Bettix-innovators in Plastic Blow Moulding—Homepage; Innovators in Plastic Blow Moulded Containers, http://www.bettix.co.uk/products_detail.asp?product_id=8, retrieved Apr. 14, 2014.

* cited by examiner

Primary Examiner — Ian Simmons

Assistant Examiner — Dana L Meyrow

(74) *Attorney, Agent, or Firm* — K&L Gates LLP

(57) **CLAIM**

I claim the ornamental design for a container having two openings, as shown and described.

DESCRIPTION

FIG. 1 illustrates a top rear right side perspective view of a container having two openings according to the present invention;

FIG. 2 illustrates a top front right side perspective view thereof;

FIG. 3 illustrates a right side elevational view thereof;

FIG. 4 illustrates a left side elevational view thereof;

FIG. 5 illustrates a front elevational view thereof;

FIG. 6 illustrates a rear elevational view thereof;

FIG. 7 illustrates a top plan view thereof; and,

FIG. 8 illustrates a bottom plan view thereof.

The broken lines in the drawings illustrate the portions of the design that form no part of the claim.

1 Claim, 6 Drawing Sheets

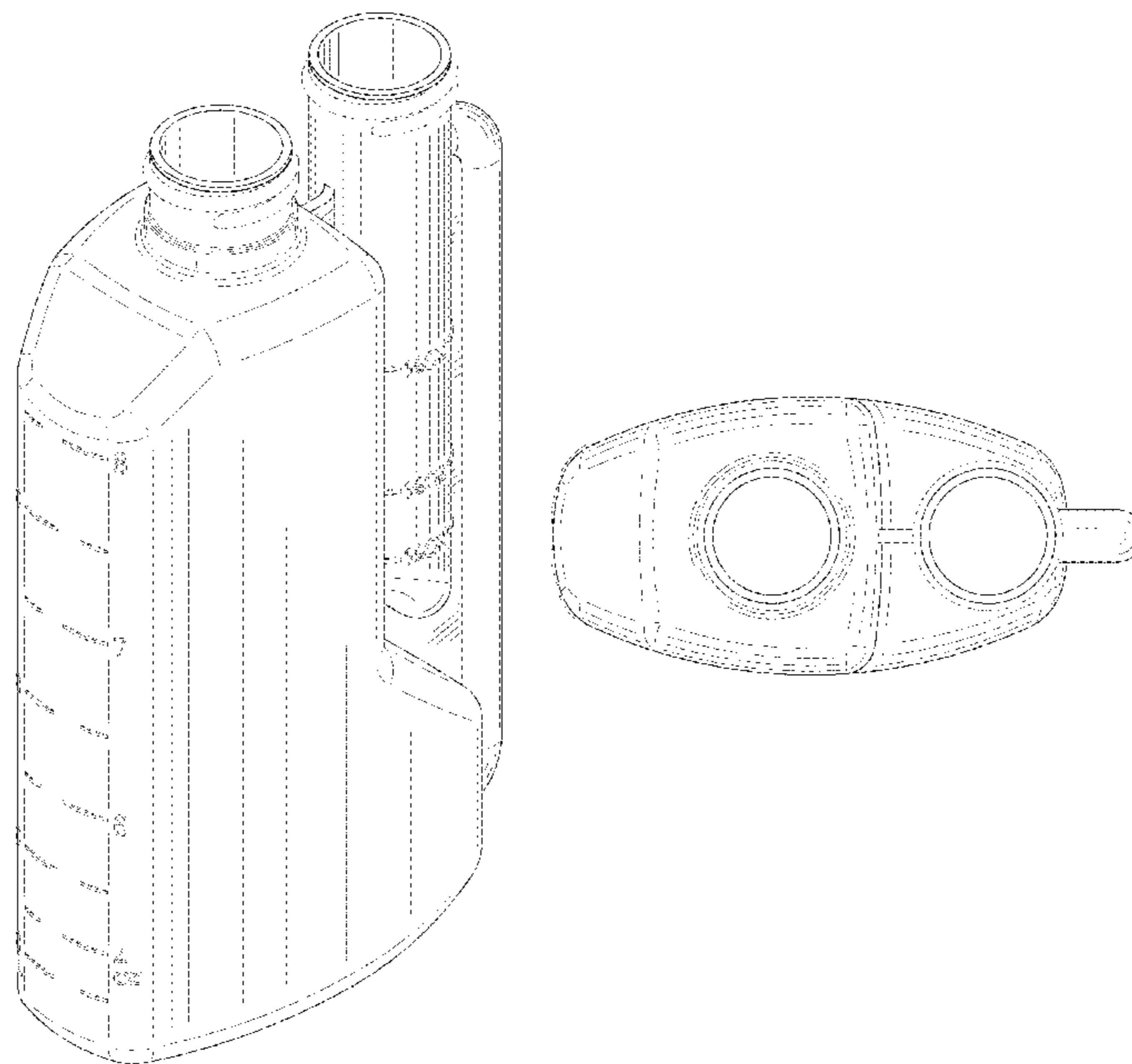


FIG. 1

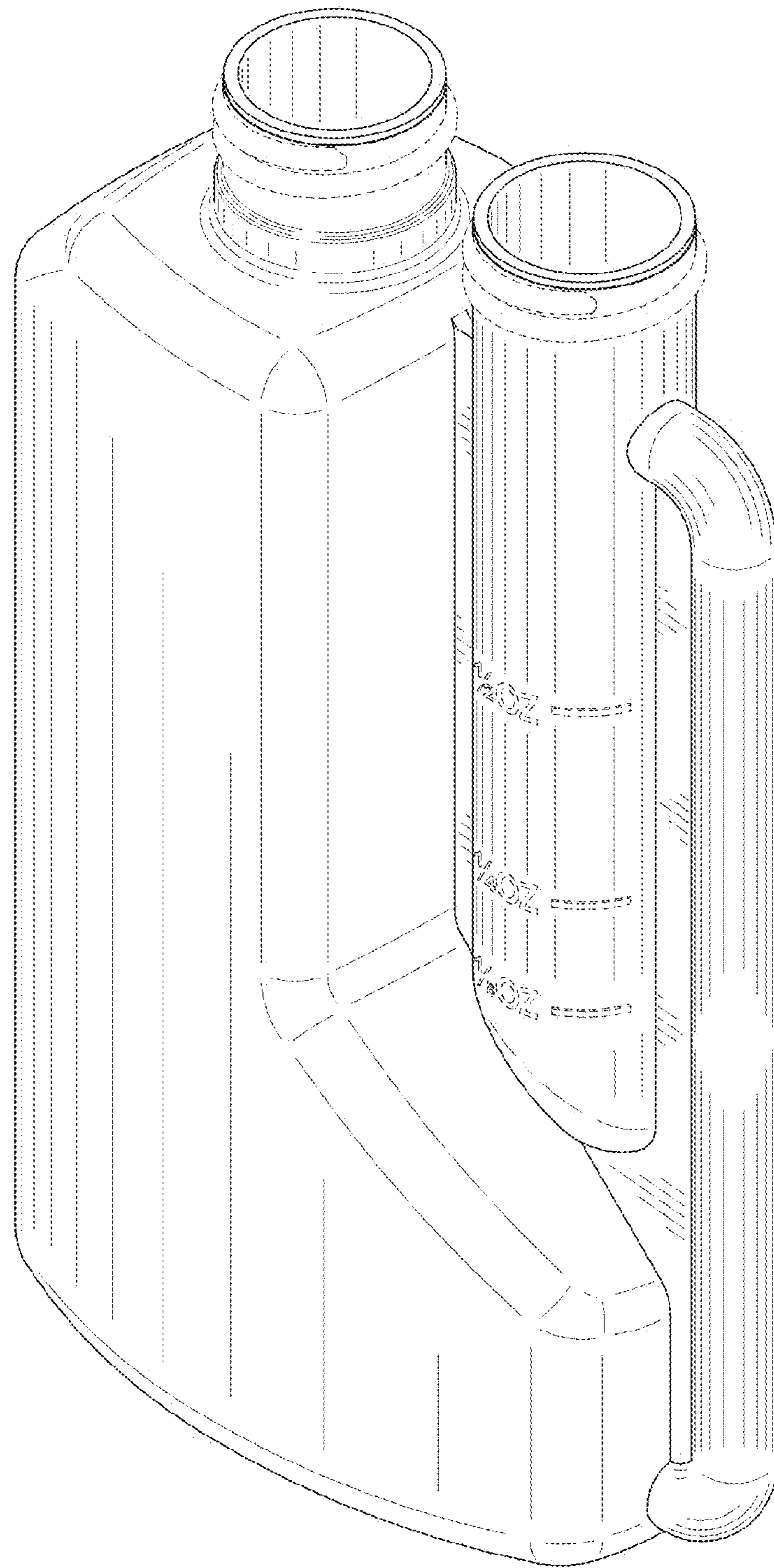


FIG. 2

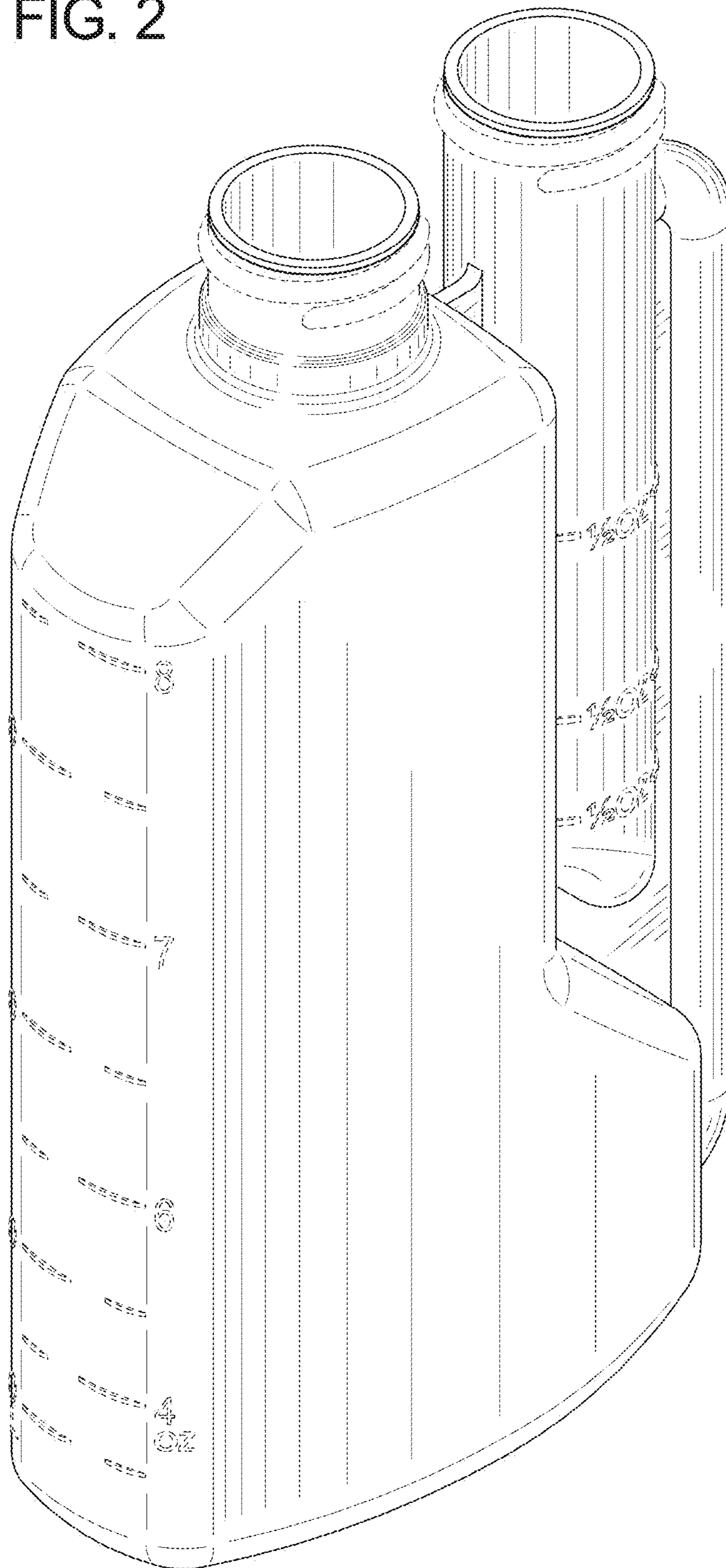


FIG. 3

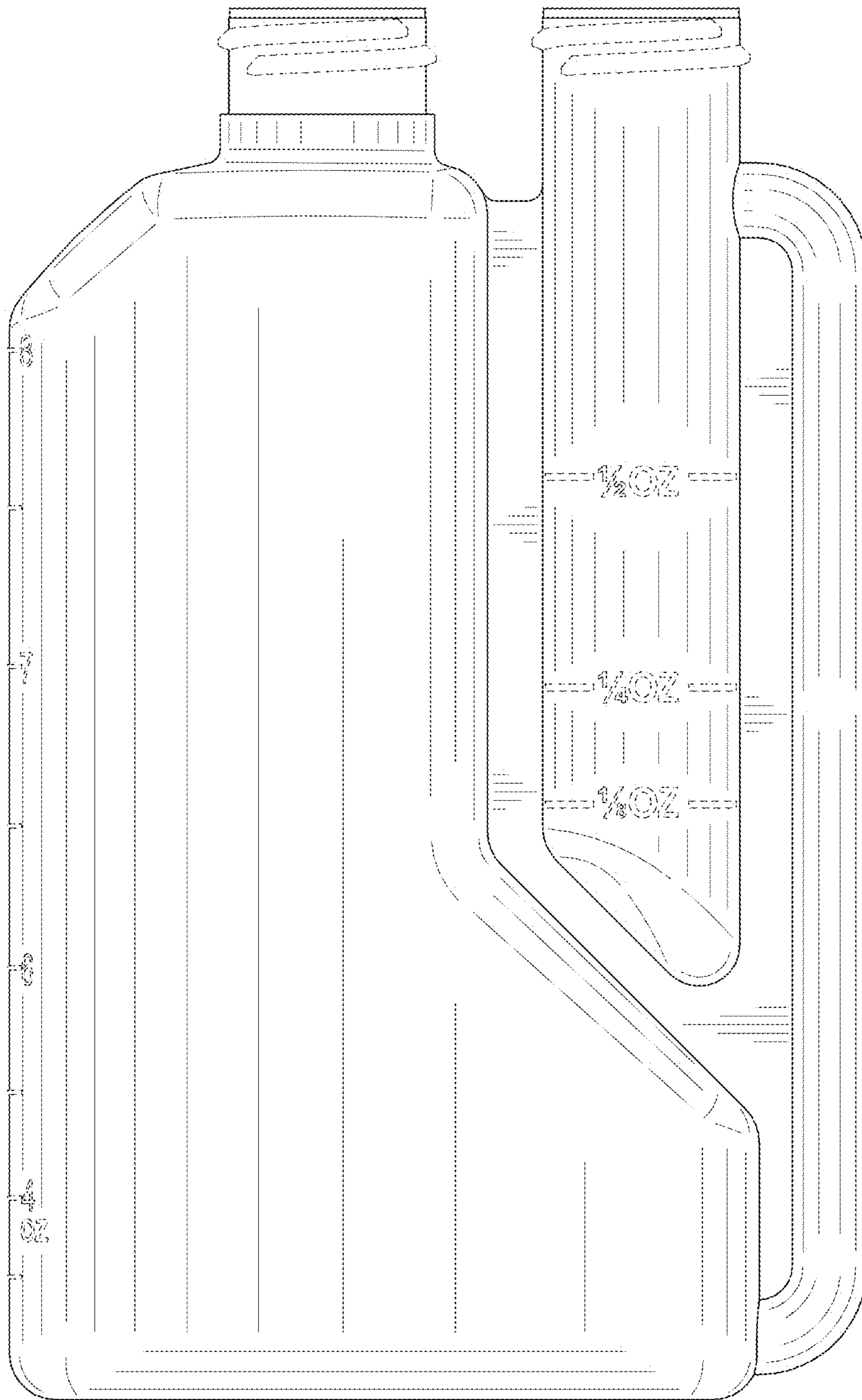


FIG. 4

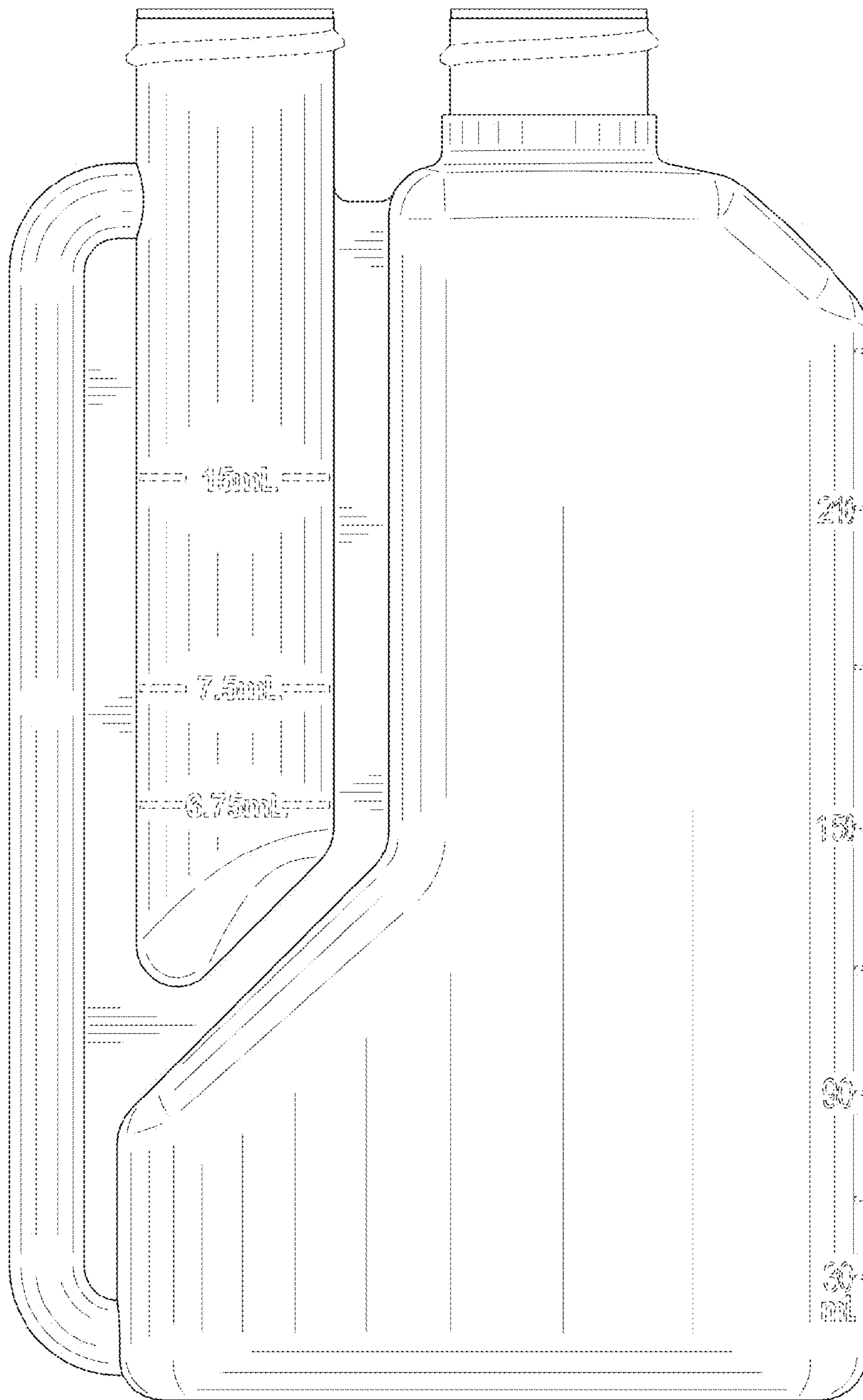


FIG. 5

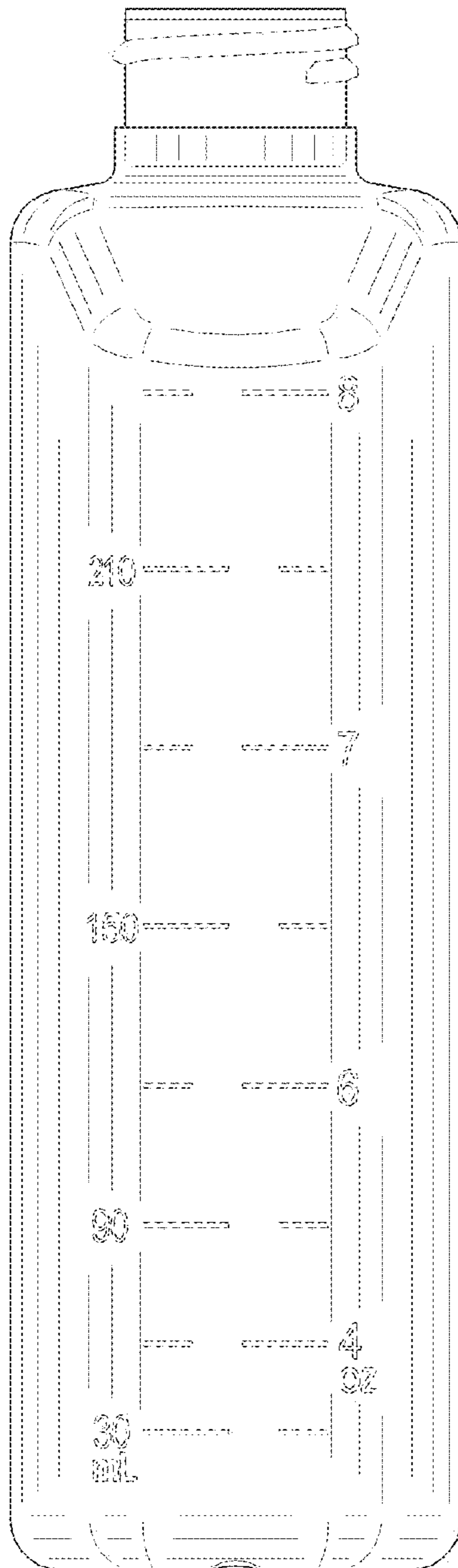


FIG. 6

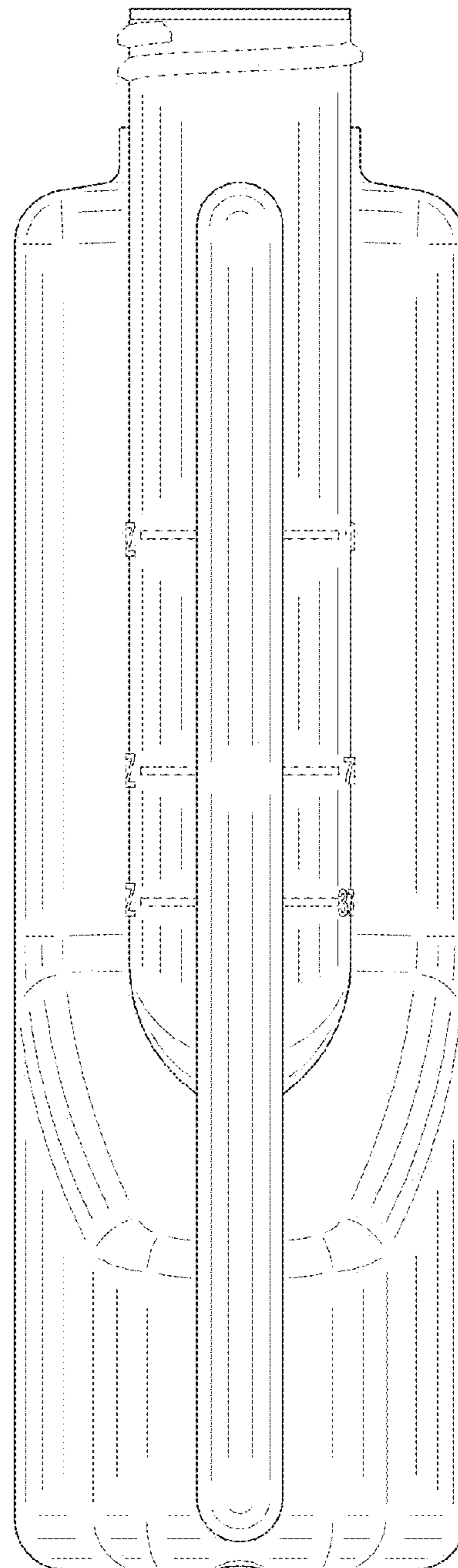


FIG. 7

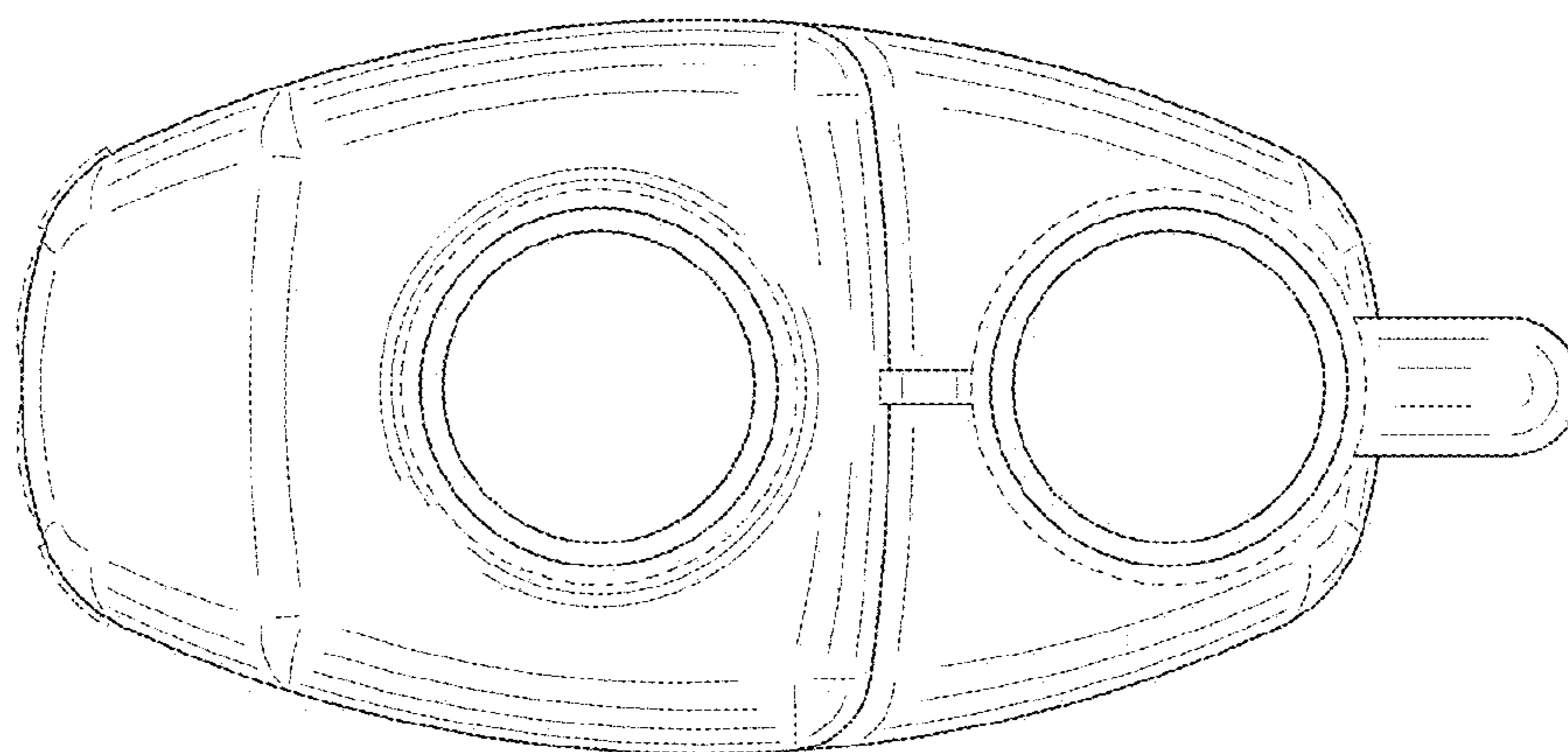


FIG. 8

