



US00D728380S

(12) **United States Design Patent**
Newland et al.

(10) **Patent No.:** **US D728,380 S**

(45) **Date of Patent:** **** May 5, 2015**

- (54) **PACKAGING FOR A WASH BAG**
- (71) Applicant: **Calibre8 Pty Ltd**, Richmond (AU)
- (72) Inventors: **Ashley Martin Newland**, Richmond (AU); **Nick Dobson**, Mont Albert Nth (AU)
- (73) Assignee: **Calibre8 Pty Ltd**, Victoria (AU)
- (**) Term: **14 Years**
- (21) Appl. No.: **29/443,368**
- (22) Filed: **Jan. 16, 2013**
- (51) **LOC (10) Cl.** **09-05**
- (52) **U.S. Cl.**
USPC **D9/711**
- (58) **Field of Classification Search**
USPC D9/702-714, 415, 414, 424, 430, 432;
D3/20, 201-202, 304-315; D6/553,
D6/514, 567, 329, 657, 336, 653, 653.1,
D6/654, 0.667, 672, 675, 677, 682.1, 683,
D6/683.1; 206/214, 436, 290, 426, 425,
206/775-783; 211/12, 85.1-85.14, 85.15,
211/85.17; 312/351.1, 351.4; 220/476, 500,
220/507, 524; D7/614-615, 701
See application file for complete search history.

D668,964 S *	10/2012	Althoff	D9/711
D689,777 S *	9/2013	Castaing	D9/711
D692,295 S *	10/2013	Whalen et al.	D9/415
D698,639 S *	2/2014	Fletcher et al.	D9/415
D699,565 S *	2/2014	Mitra-Shah et al.	D9/423
D699,582 S *	2/2014	Baum et al.	D9/624

* cited by examiner

Primary Examiner — Caron D Veynar

Assistant Examiner — Abraham Bahta

(74) *Attorney, Agent, or Firm* — Sheridan Ross P.C.

(57) **CLAIM**

The ornamental design for packaging for a wash bag, as shown and described.

DESCRIPTION

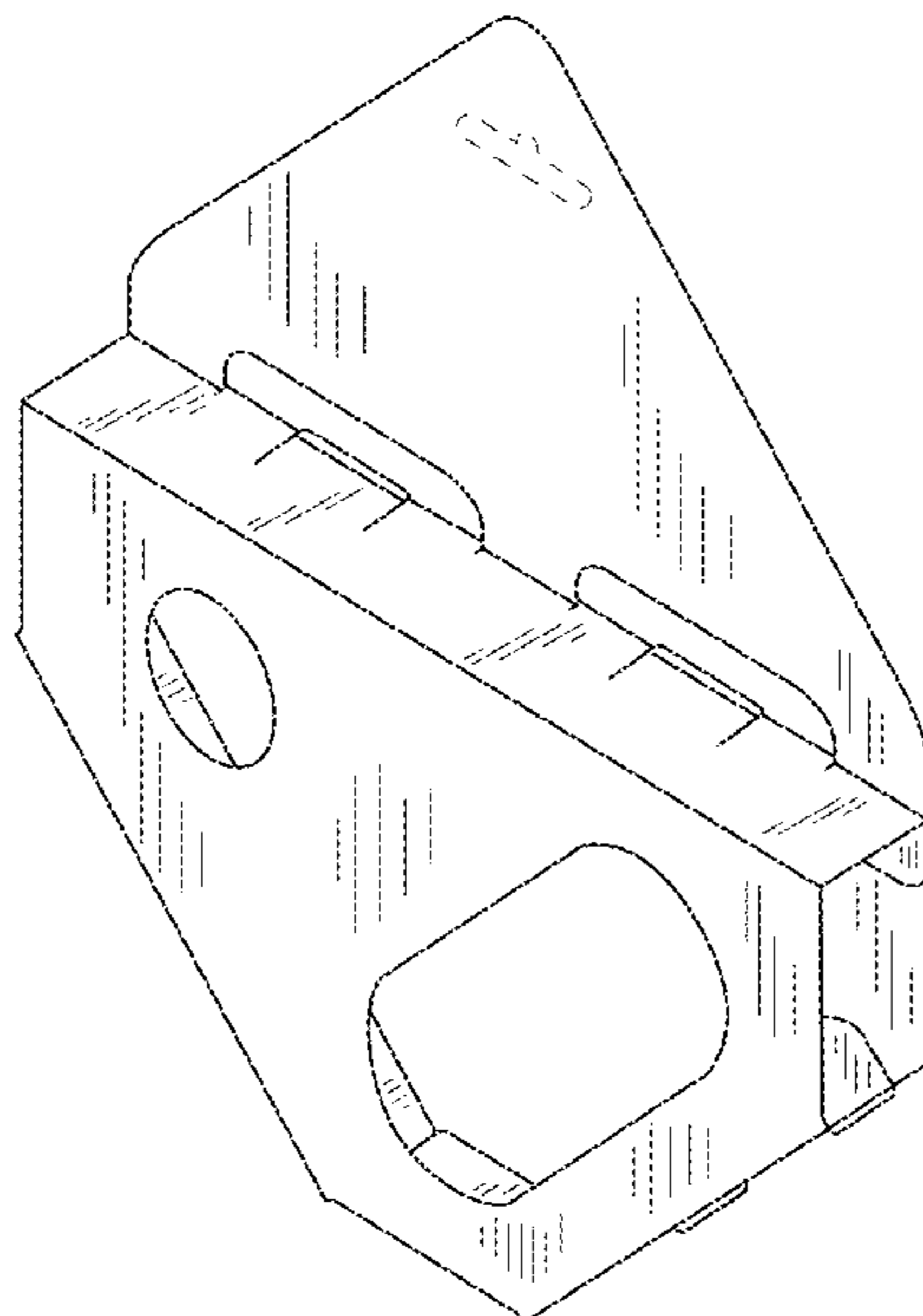
FIG. 1 is a front view of the packaging for a wash bag showing my new design;
 FIG. 2 is a rear view thereof;
 FIG. 3 is a perspective view thereof;
 FIG. 4 is a top view thereof;
 FIG. 5 is a bottom view thereof;
 FIG. 6 is a left side view thereof;
 FIG. 7 is a right side view thereof; and,
 FIG. 8 is a plan view thereof; the packaging for a wash bag shown in unfolded condition.
 The broken line shown in the drawings is included for the purpose of illustrating environmental structure and forms no part of the claimed design.

(56) **References Cited**

U.S. PATENT DOCUMENTS

D596,022 S *	7/2009	van den Berg	D9/416
D666,088 S *	8/2012	Anderson et al.	D9/415

1 Claim, 4 Drawing Sheets



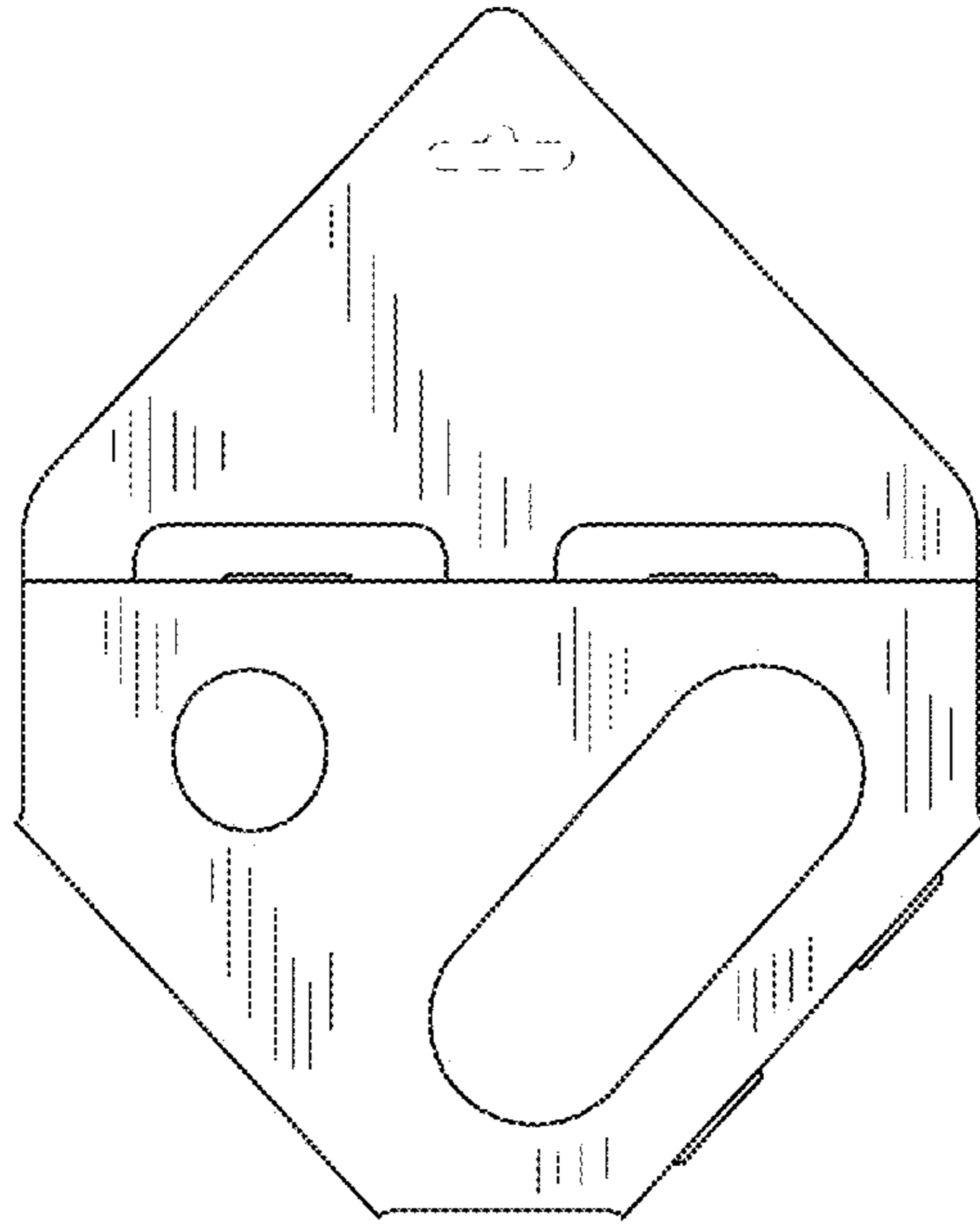


FIG.1

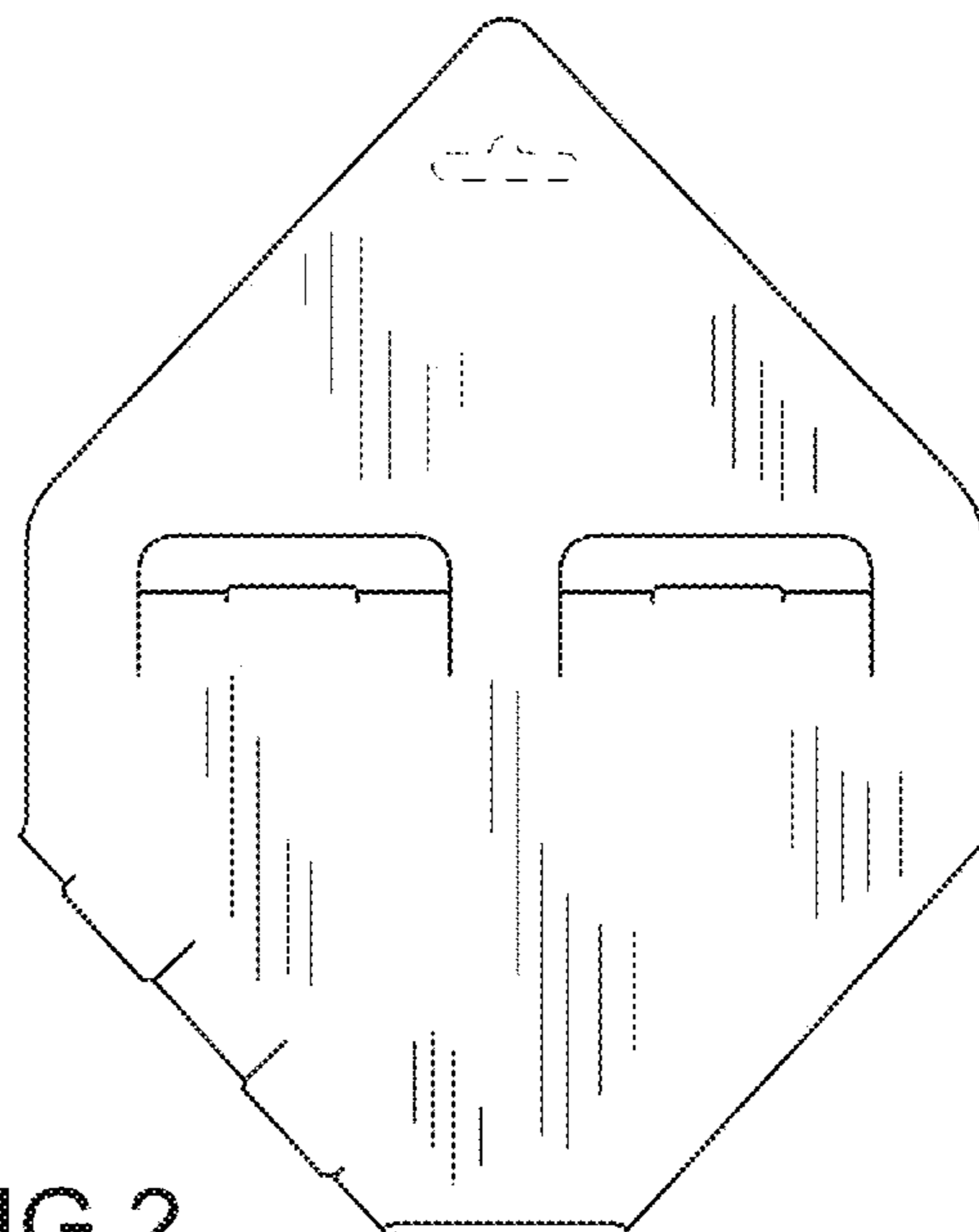


FIG.2

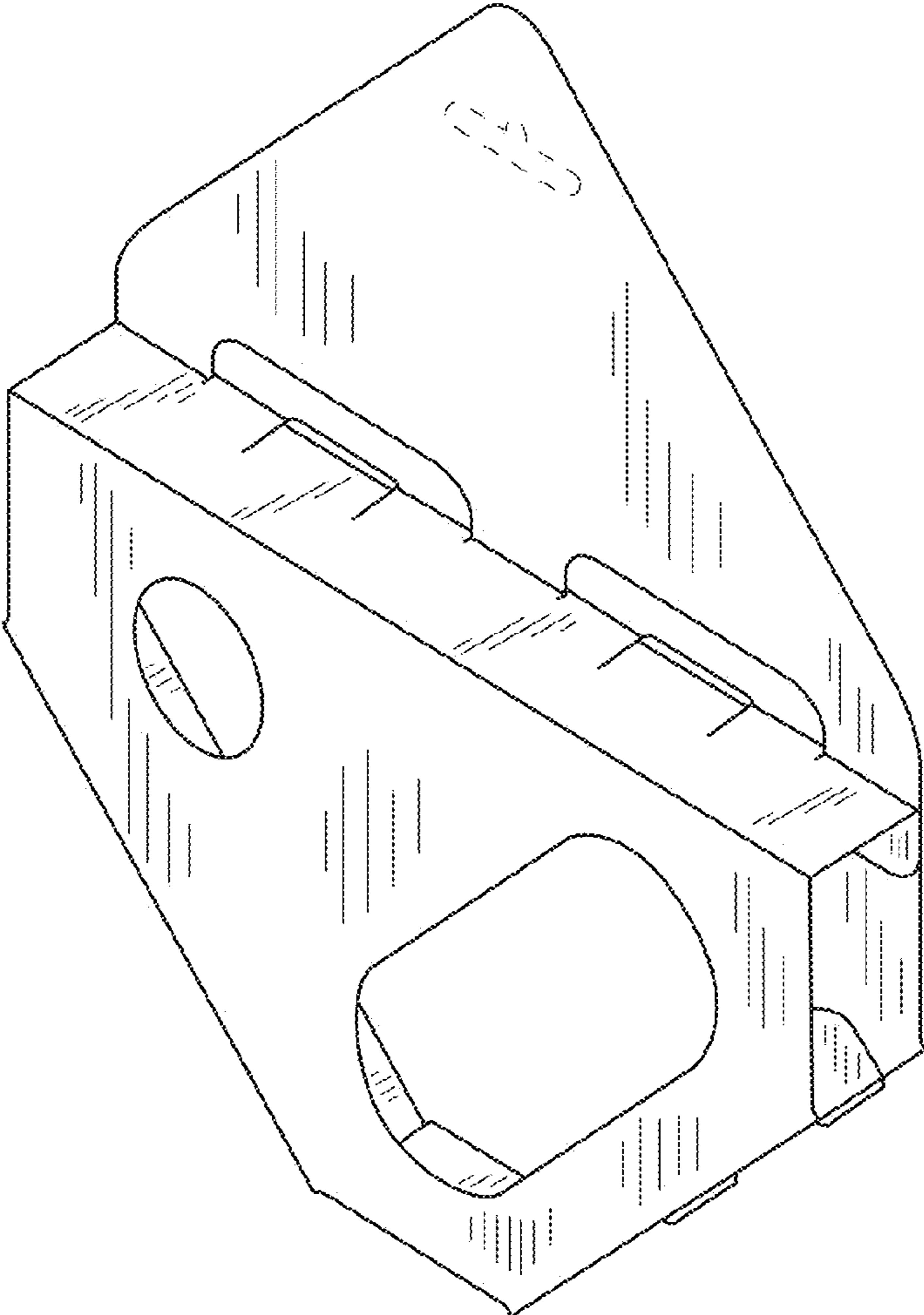


FIG.3

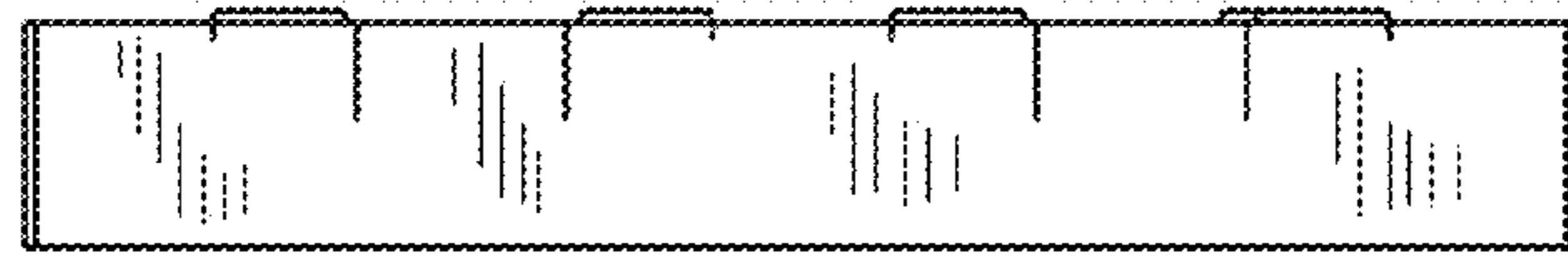


FIG. 4



FIG. 5

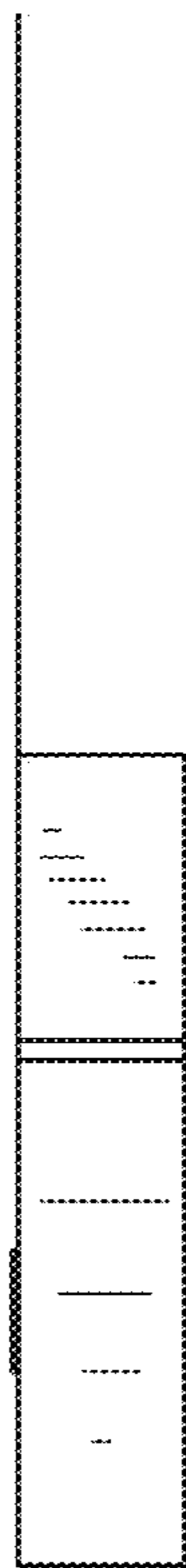


FIG. 6

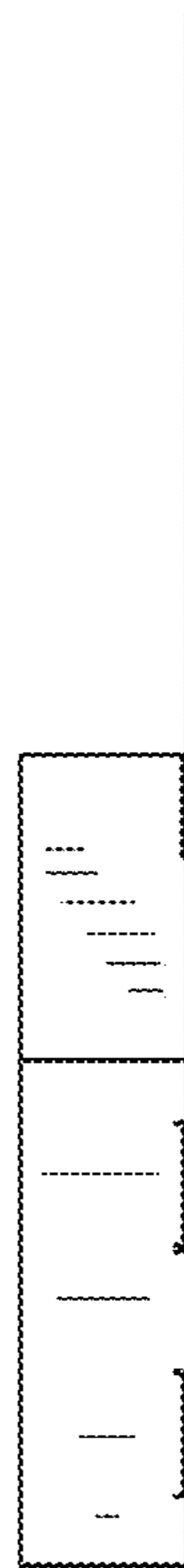


FIG. 7

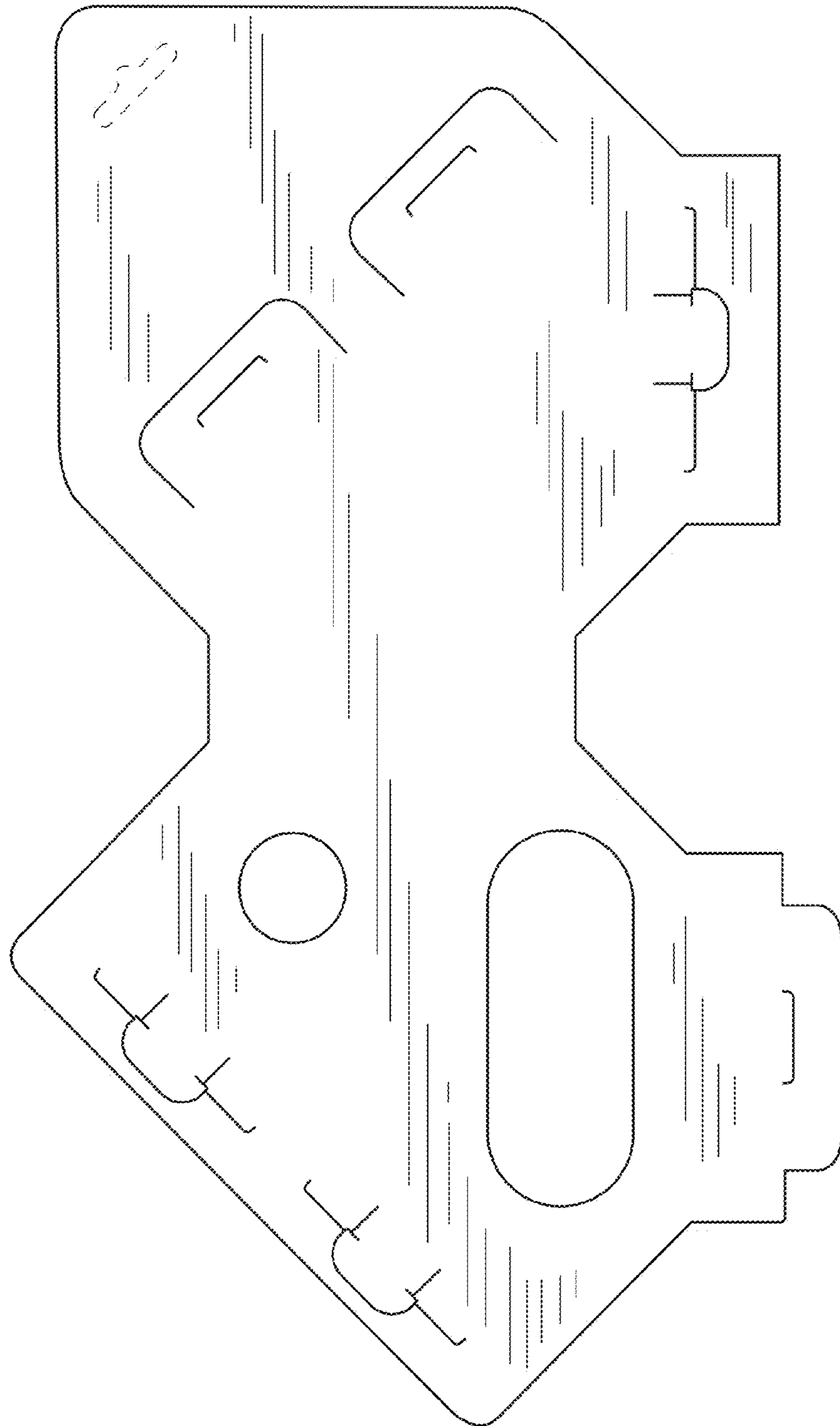


FIG.8