



US00D728377S

(12) **United States Design Patent**  
**Marotti et al.**

(10) **Patent No.:** **US D728,377 S**  
(45) **Date of Patent:** **\*\* May 5, 2015**

(54) **CONTAINER**

(71) Applicant: **The Procter & Gamble Company,**  
Cincinnati, OH (US)  
(72) Inventors: **Martin Jay Marotti,** Carmel, IN (US);  
**Juan Carlos Vinseiro,** Mason, OH (US)  
(73) Assignee: **The Procter & Gamble Company,**  
Cincinnati, OH (US)

(\*\*) Term: **14 Years**

(21) Appl. No.: **29/470,508**

(22) Filed: **Oct. 22, 2013**

(51) **LOC (10) Cl.** ..... **09-03**

(52) **U.S. Cl.**  
USPC ..... **D9/696**

(58) **Field of Classification Search**  
USPC ..... D9/702-714, 695-699, 571, 516,  
D9/521-522, 442-443, 447, 558, 526;  
D24/115, 118, 110, 224, 121, 108,  
D24/104; 206/528, 530; 222/215, 92, 107,  
222/95; 604/415, 212, 317; 215/47-49,  
215/DIG. 3, 382, 246, 380-381; D28/91.1,  
D28/76-78, 82, 88; D3/203.1, 202;  
40/310-311

See application file for complete search history.

(56) **References Cited**

**U.S. PATENT DOCUMENTS**

D47,434 S \* 6/1915 Orem ..... D9/544  
D49,406 S \* 7/1916 Vivaudou ..... D9/542  
D117,266 S \* 10/1939 Gerhart ..... D9/500  
D175,447 S \* 8/1955 Tucker ..... D7/300  
D176,225 S \* 11/1955 Morris ..... D9/529  
D187,820 S \* 5/1960 Oradell ..... D9/552  
D202,219 S \* 9/1965 Drummond et al. .... D9/574  
D207,350 S \* 4/1967 Koenigsberg ..... D9/542  
D211,005 S \* 5/1968 Vanderhyde ..... D9/542  
D211,319 S \* 6/1968 Jeronimus ..... D9/529  
D215,699 S \* 10/1969 Horne et al. .... D9/542  
D222,610 S \* 11/1971 Pummer ..... D9/542

D228,343 S \* 9/1973 Kretz ..... D9/563  
D237,946 S \* 12/1975 Pardo ..... D9/529  
D241,318 S \* 9/1976 Lewman ..... D9/563  
D243,442 S \* 2/1977 Montgomery ..... D9/505  
D252,444 S \* 7/1979 Torongo, Jr. .... D9/542  
D253,166 S \* 10/1979 Pardo ..... D9/542  
D264,305 S \* 5/1982 Pardo ..... D9/500  
D278,124 S \* 3/1985 Coussie ..... D9/574  
D282,529 S \* 2/1986 Pereira et al. .... D9/529  
D399,752 S \* 10/1998 Farmer et al. .... D9/529  
D414,703 S \* 10/1999 Nosella ..... D9/563  
D530,620 S \* 10/2006 Owens et al. .... D9/566

(Continued)

*Primary Examiner* — Caron D Veynar

*Assistant Examiner* — Abraham Bahta

(74) *Attorney, Agent, or Firm* — James E. Oehlenschlager

(57) **CLAIM**

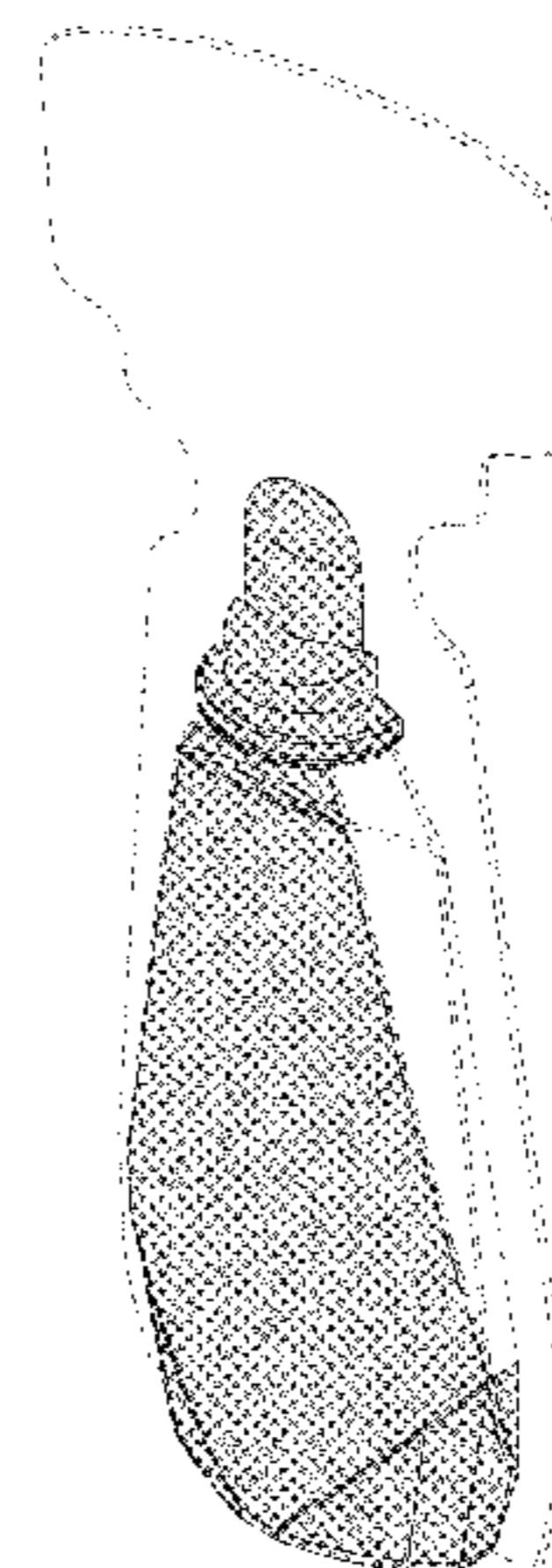
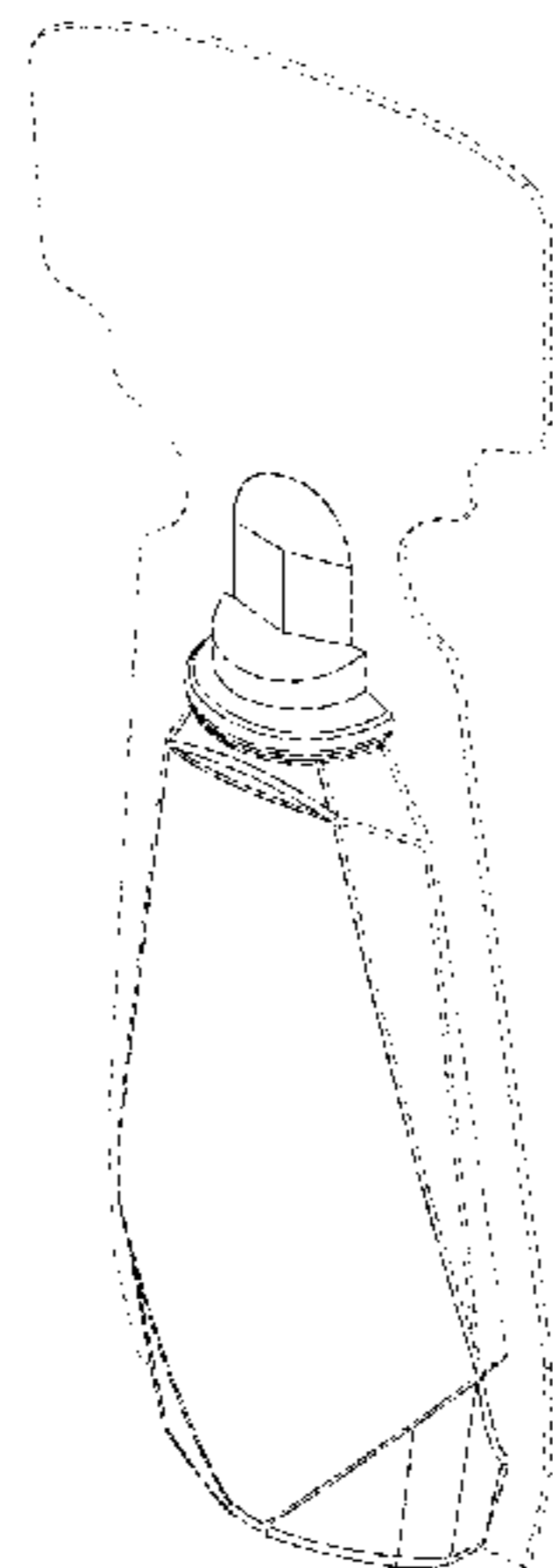
The ornamental design for a container, as shown and described.

**DESCRIPTION**

FIG. 1 is a front perspective view of the container showing our new design;  
FIG. 2 is a front view thereof;  
FIG. 3 is a rear view thereof;  
FIG. 4 is a side view thereof;  
FIG. 5 is another side view thereof;  
FIG. 6 is a top plan view thereof; and  
FIG. 7 is a bottom view thereof;  
FIG. 8 is a front perspective view showing an alternate embodiment of our new design, the stippling being indicative of a white or colored surface;  
FIG. 9 is a front view thereof;  
FIG. 10 is a rear view thereof;  
FIG. 11 is a side view thereof;  
FIG. 12 is another side view thereof;  
FIG. 13 is a top plan view thereof; and,  
FIG. 14 is a bottom view thereof.

The broken lines shown in the drawings depict environmental subject matter only and form no part of the claimed design.

**1 Claim, 4 Drawing Sheets**



(56)

**References Cited**

U.S. PATENT DOCUMENTS

D531,515 S \* 11/2006 Owens et al. .... D9/566  
D533,072 S \* 12/2006 Kelly ..... D9/566  
D591,607 S \* 5/2009 Marotti et al. .... D9/571

D642,064 S \* 7/2011 Sutton ..... D9/544  
D650,678 S \* 12/2011 Marotti ..... D9/516  
D656,828 S \* 4/2012 Marotti ..... D9/516  
D676,761 S \* 2/2013 Marotti et al. .... D9/696

\* cited by examiner

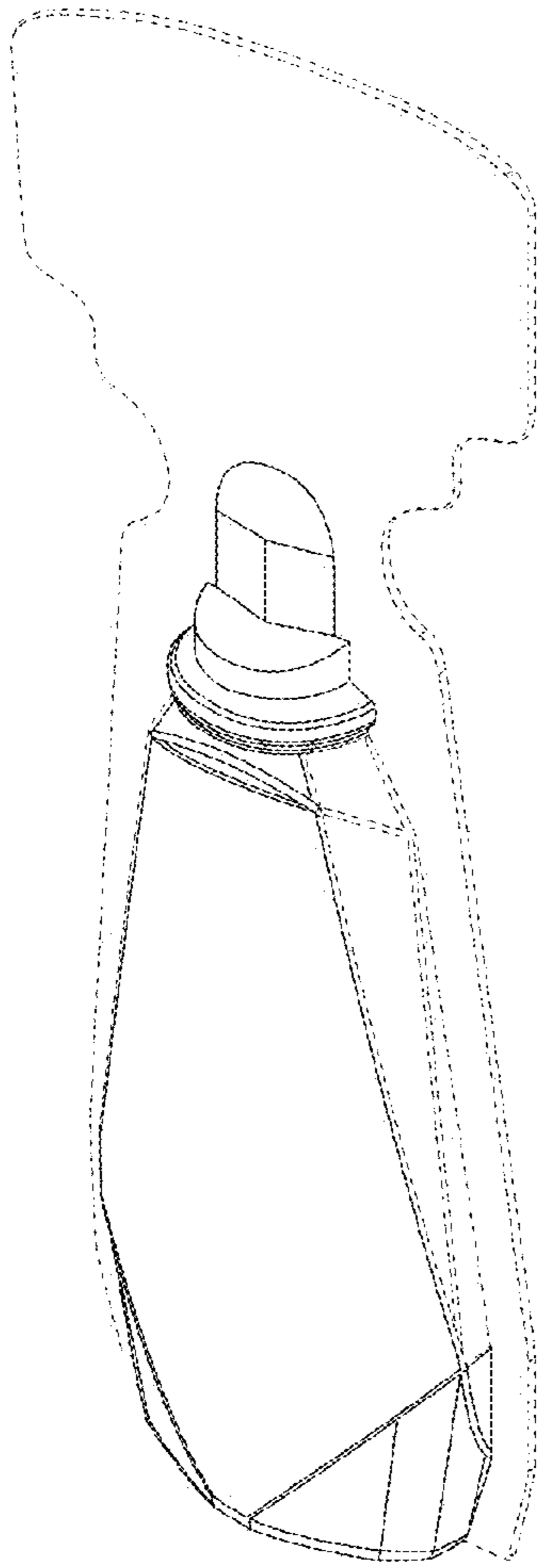


Fig. 1

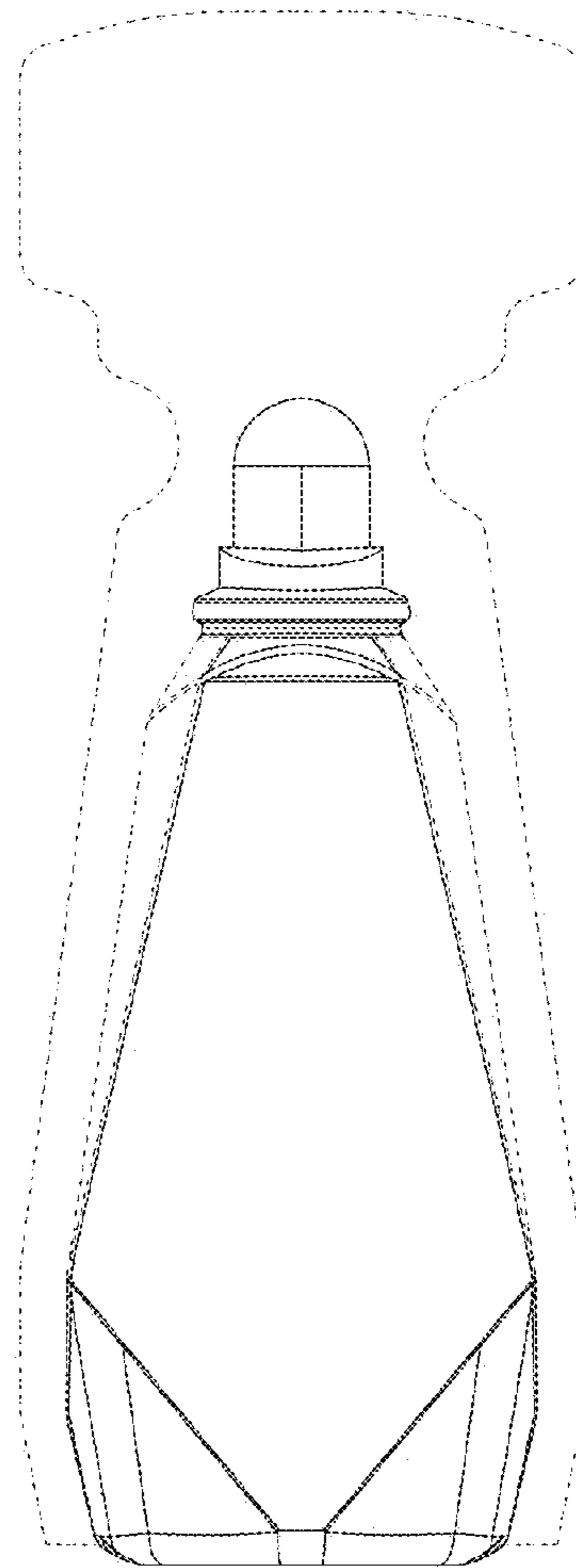


Fig. 2

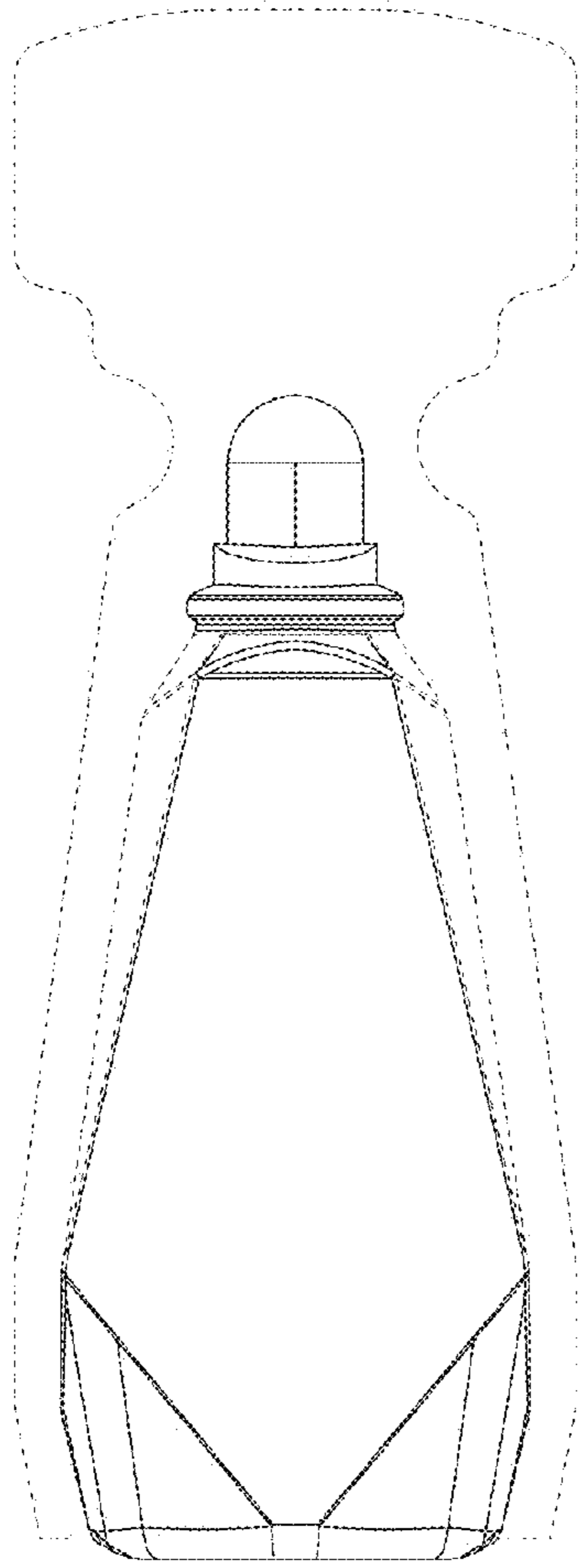


Fig. 3

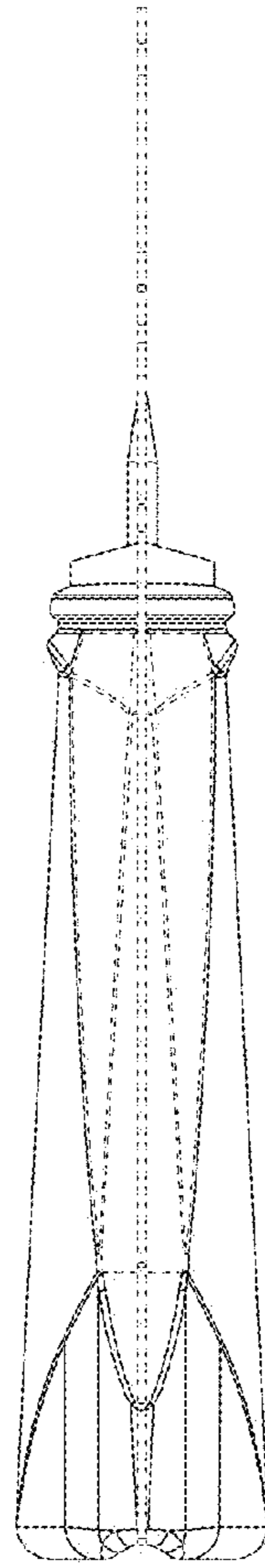


Fig. 4

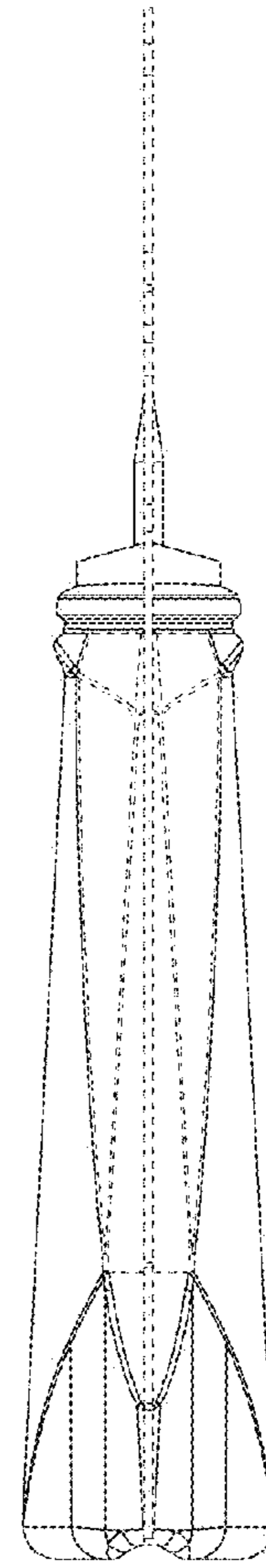


Fig. 5

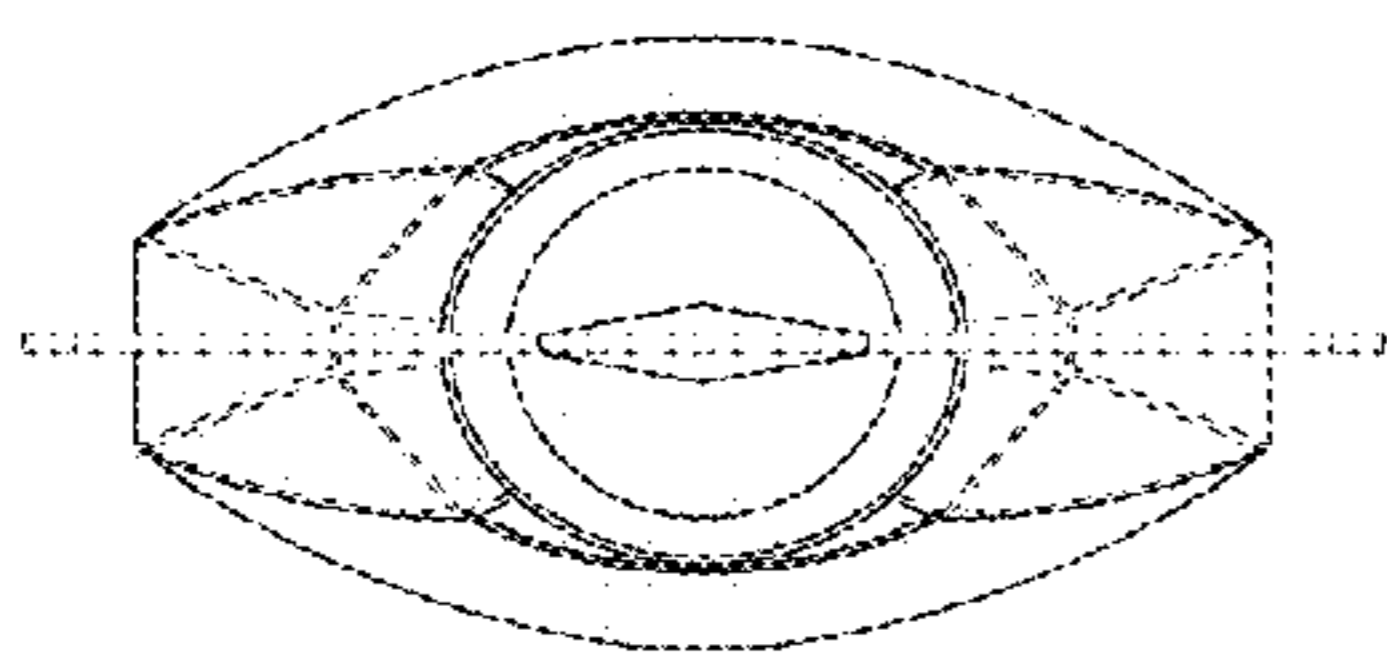


Fig. 6

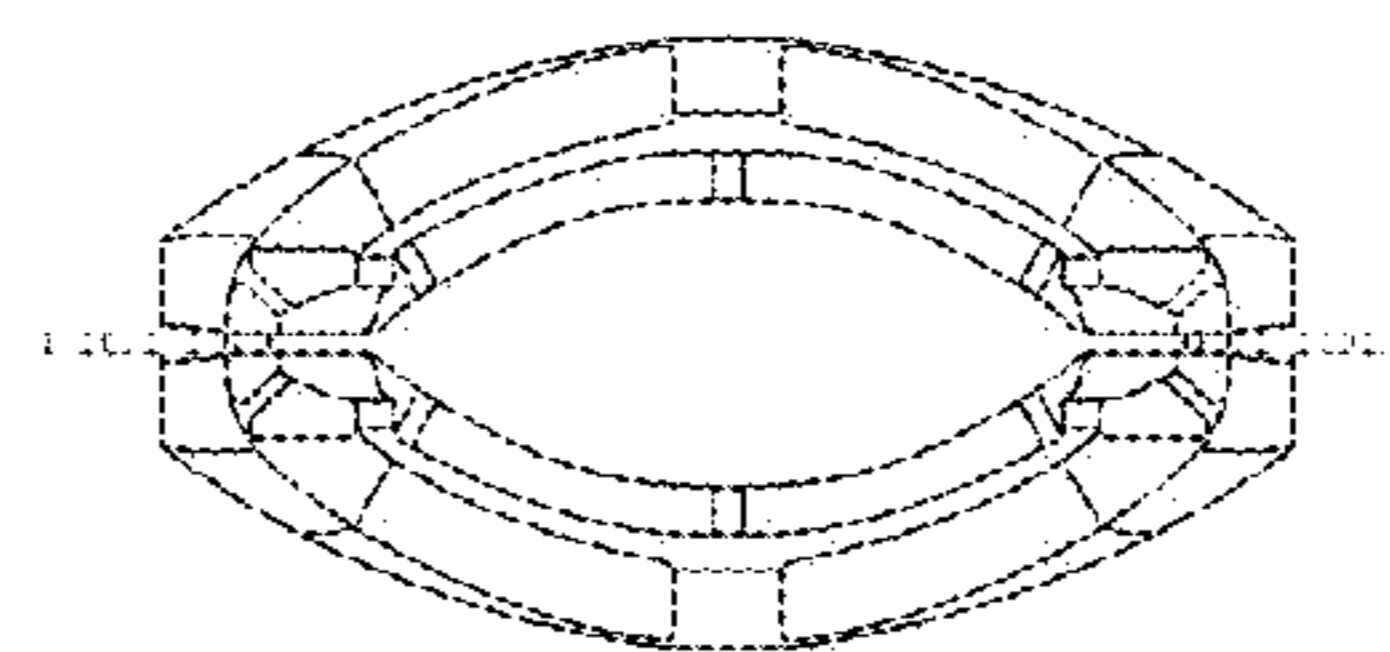


Fig. 7

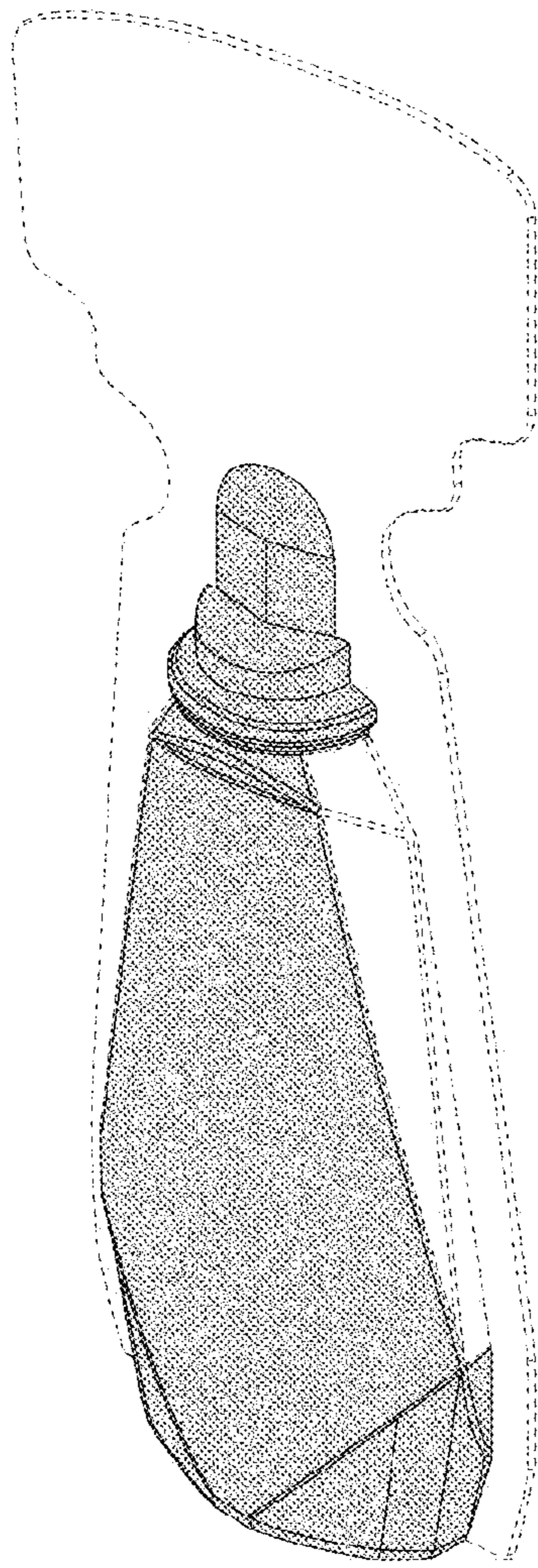


Fig. 8

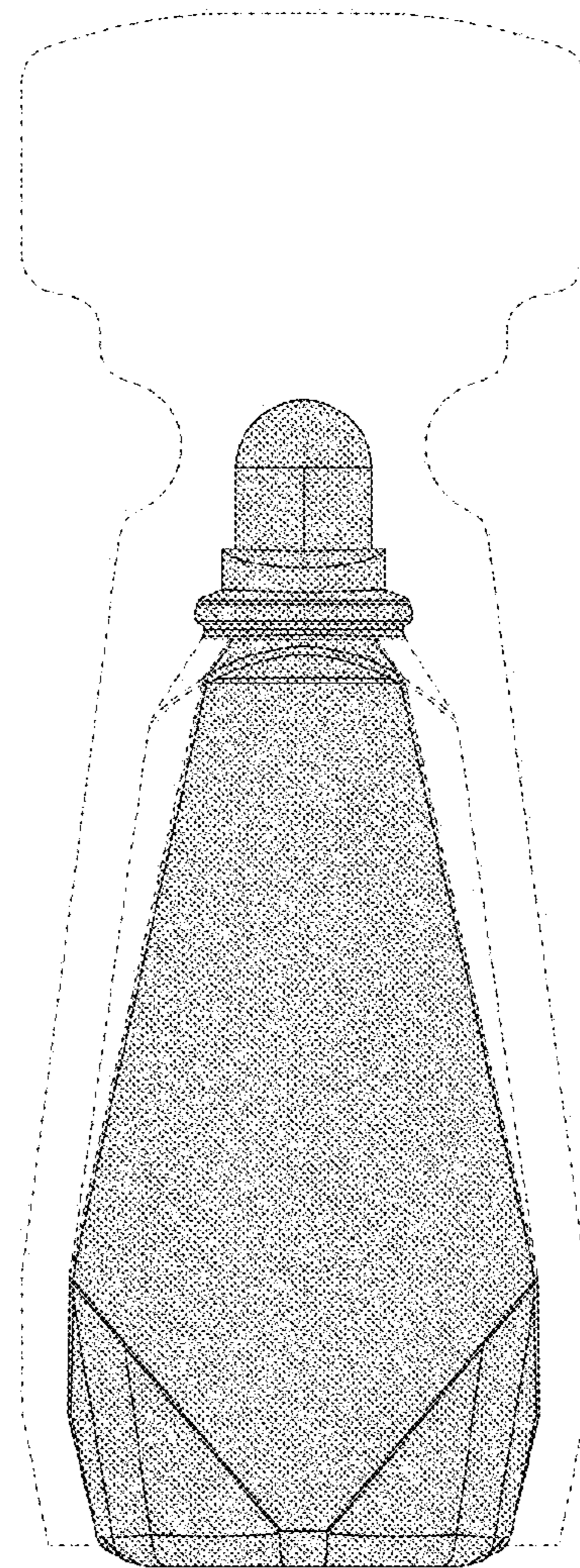


Fig. 9

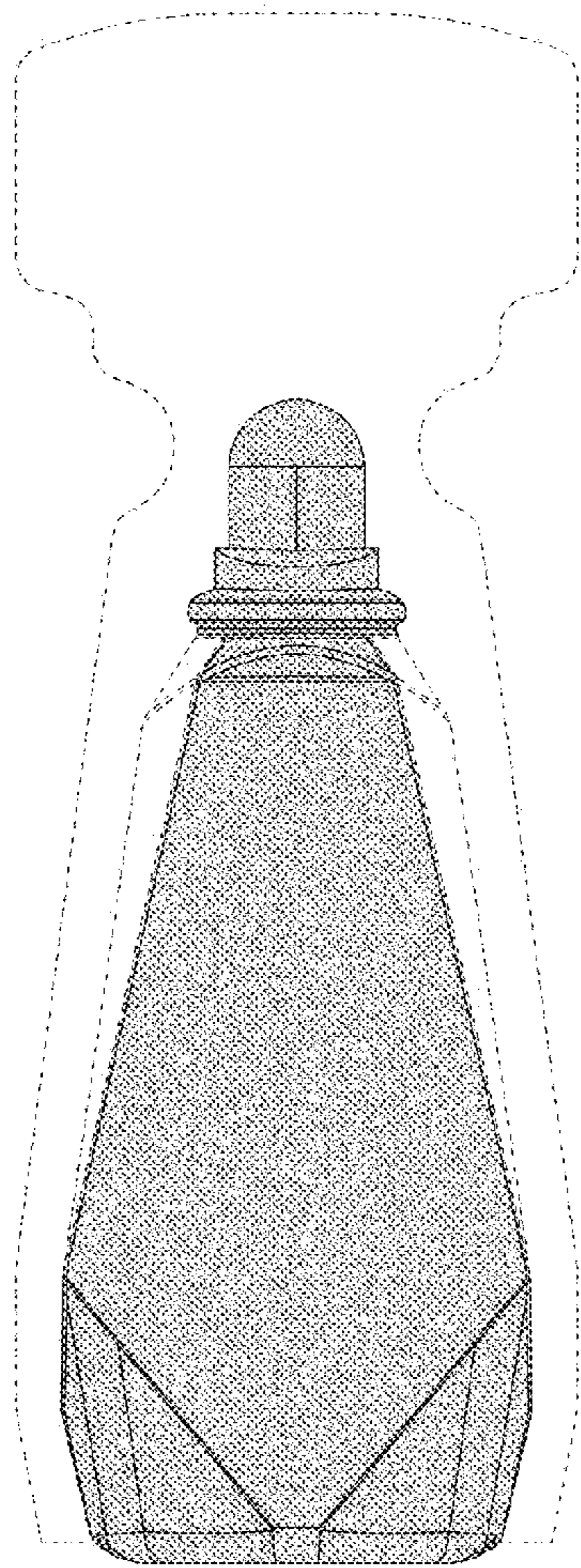


Fig. 10

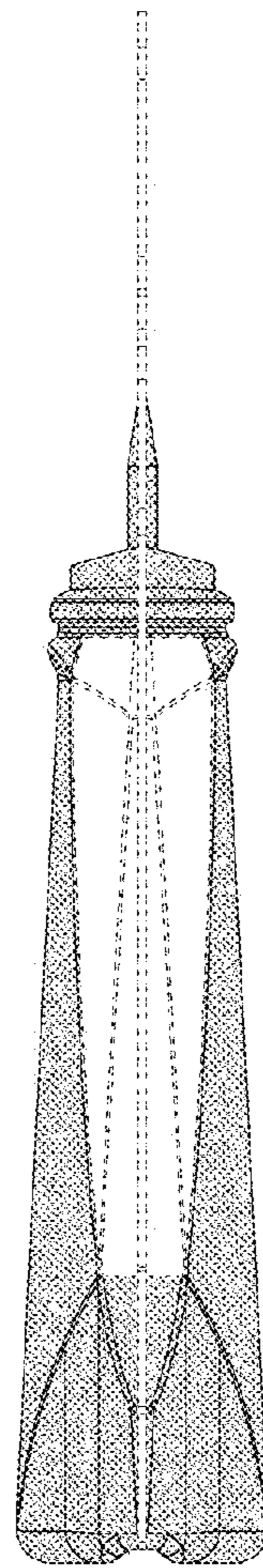


Fig. 11

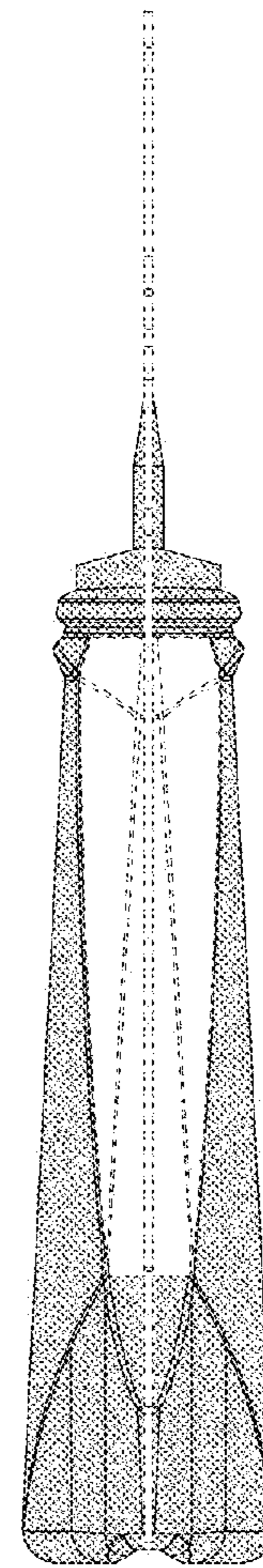


Fig. 12

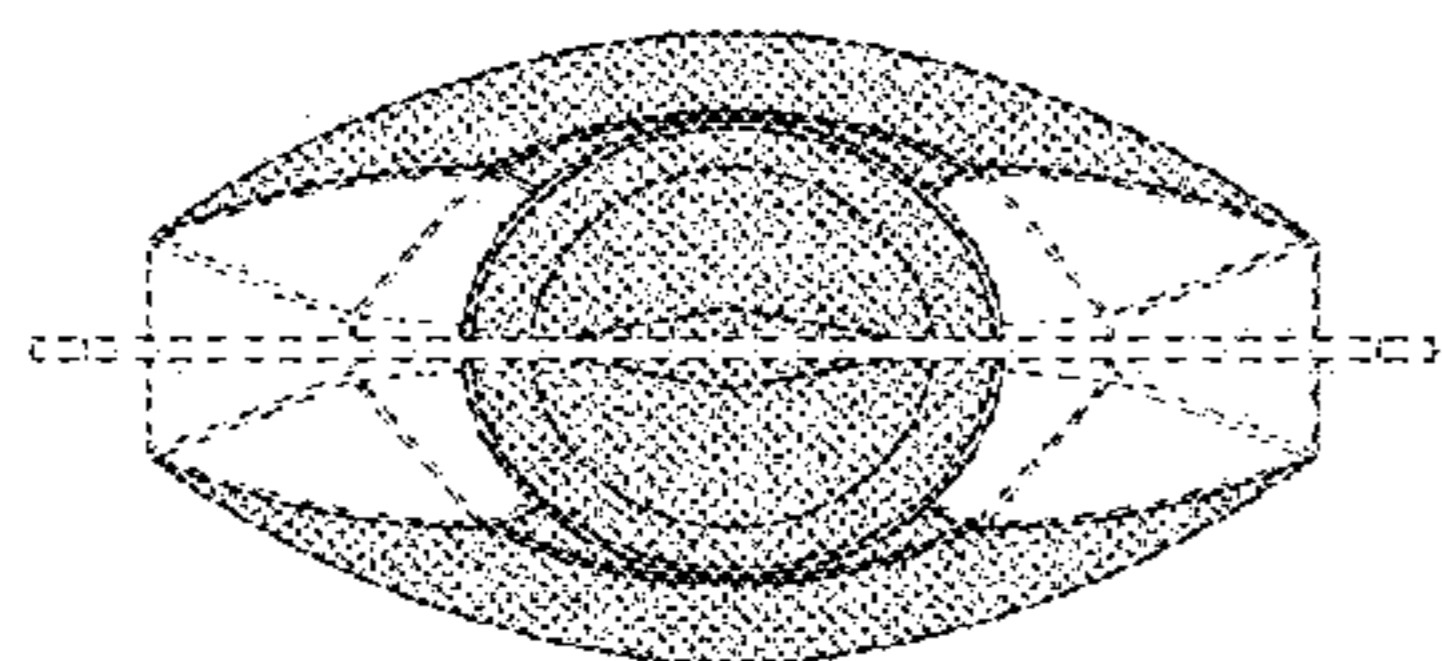


Fig. 13

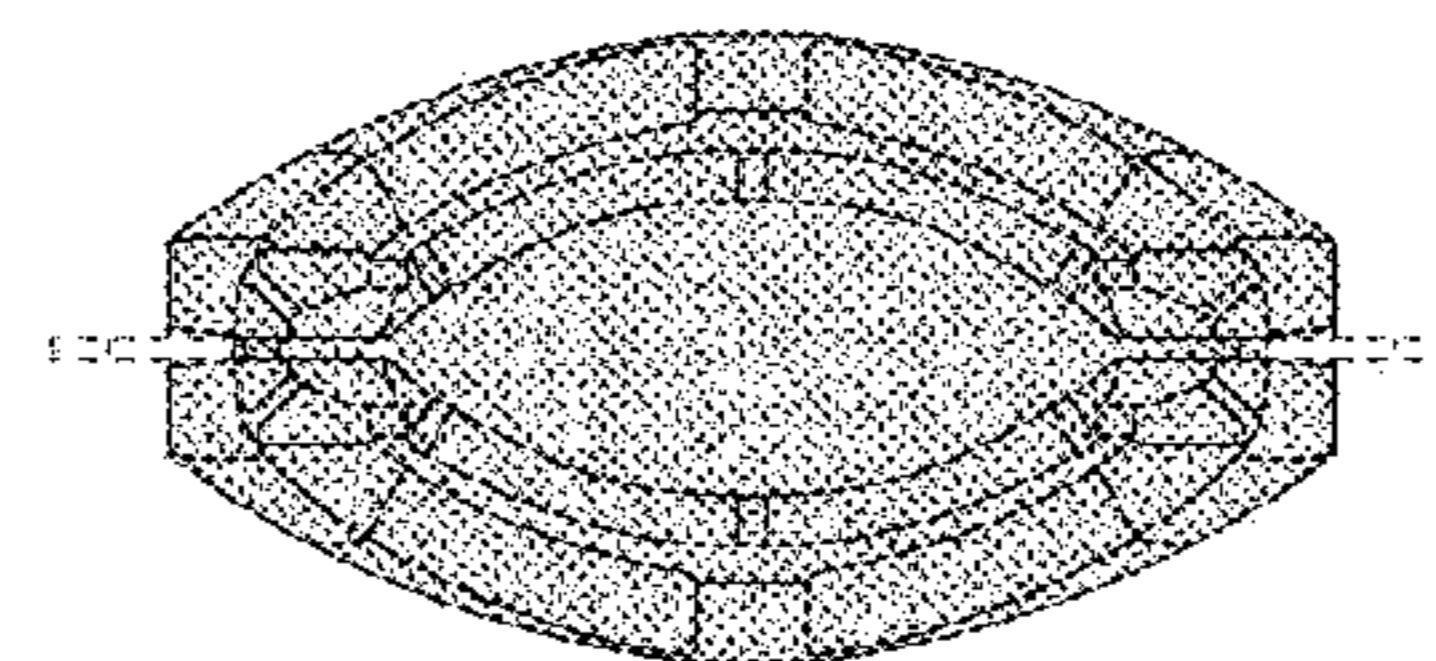


Fig. 14