



US00D728376S

(12) **United States Design Patent**
Floyd et al.

(10) **Patent No.:** **US D728,376 S**
(45) **Date of Patent:** **** May 5, 2015**

(54) **CONTAINER**

(75) Inventors: **Brian Lee Floyd**, Cincinnati, OH (US);
Ian Andrew Carnduff, New York, NY
(US); **Paul Frank Diehl**, Brooklyn, NY
(US); **Graham Clive Hufton**, New York,
NY (US)

(73) Assignee: **The Gillette Company**, Boston, MA
(US)

(**) Term: **14 Years**

(21) Appl. No.: **29/392,328**

(22) Filed: **May 19, 2011**

(51) **LOC (10) Cl.** **09-01**

(52) **U.S. Cl.**
USPC **D9/692**

(58) **Field of Classification Search**
USPC D9/682-694, 500-505, 715, 719, 763,
D9/772-783, 516, 517, 518, 520, 521, 526,
D9/529, 545, 549-575, 414, 416, 417, 424,
D9/428, 434-436, 438, 442-445,
D9/447-450; 222/153.01, 153.04, 153.09,
222/153.1, 153.11, 153.12, 153.13, 153.14,
222/631, 635, 321.1, 321.6-322, 325-327,
222/372, 378, 379, 382, 383.1, 398, 400.7,
222/401, 402, 402.1-402.25; 215/379, 382;
220/662, 665, 669-675, 915

See application file for complete search history.

(56) **References Cited**

U.S. PATENT DOCUMENTS

D74,459 S 2/1928 Suarez et al.
2,035,599 A 3/1936 Florman
D204,711 S 5/1966 Plummer
D206,689 S 1/1967 Pizzurro
D220,941 S * 6/1971 Usen D9/688
D221,275 S 7/1971 Hebblethwaite
D233,593 S 11/1974 Horvath
3,848,778 A * 11/1974 Meshberg 222/402.11

D236,684 S 9/1975 Hebblethwaite
D266,961 S 11/1982 Balleraud
4,773,562 A 9/1988 Gueret
D314,144 S 1/1991 Ricard
D344,017 S * 2/1994 Lang et al. D9/727
D357,177 S * 4/1995 Labus D9/690
D364,339 S * 11/1995 Shurtleff D9/692
D388,320 S * 12/1997 Lamb D9/688
D409,903 S 5/1999 Markey et al.
D467,811 S * 12/2002 Slater et al. D9/529
D507,753 S 7/2005 Lamb et al.
D510,862 S 10/2005 Bretz et al.
D541,169 S 4/2007 Ball et al.
7,487,891 B2 * 2/2009 Yerby et al. 222/153.13
D593,811 S * 6/2009 Carreno D7/629

(Continued)

FOREIGN PATENT DOCUMENTS

JP D1361628 * 6/2009
KR 300385318.0000 7/2005

(Continued)

Primary Examiner — Catherine Tuttle

(74) *Attorney, Agent, or Firm* — Jay A. Krebs

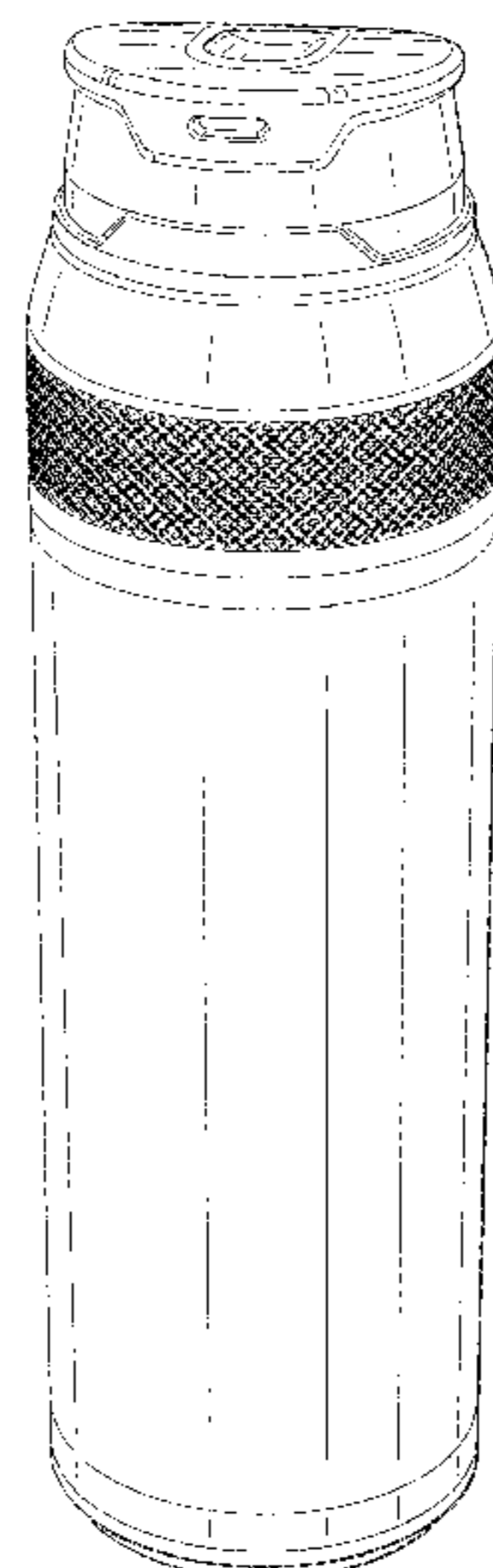
(57) **CLAIM**

The ornamental design for a container, as shown and described.

DESCRIPTION

FIG. 1 is a top front and side perspective view of the container showing our new design;
FIG. 2 is a front elevational view thereof;
FIG. 3 is rear elevational view thereof;
FIG. 4 is a right side elevational view thereof;
FIG. 5 is a left side elevational view thereof;
FIG. 6 is a top plan view thereof; and,
FIG. 7 is a bottom plan view thereof.
The broken lines shown in FIG. 7 are included for the purpose of illustrating a portion of the container that forms no part of the claimed design.

1 Claim, 4 Drawing Sheets



(56)

References Cited

FOREIGN PATENT DOCUMENTS

U.S. PATENT DOCUMENTS

D633,800 S * 3/2011 Haywood D9/502
D636,683 S 4/2011 Floyd et al.
D645,353 S * 9/2011 Floyd et al. D9/516
D649,047 S * 11/2011 Baker et al. D9/435
D650,671 S * 12/2011 Althaus et al. D9/447
2010/0044394 A1 2/2010 Milian et al.

KR 300438269.0000 1/2007
KR 300442732.0000 3/2007
KR 300454826.0000 7/2007
KR 300466031.0000 10/2007
KR 300485772.0000 4/2008
KR 300496243.0000 6/2008

* cited by examiner

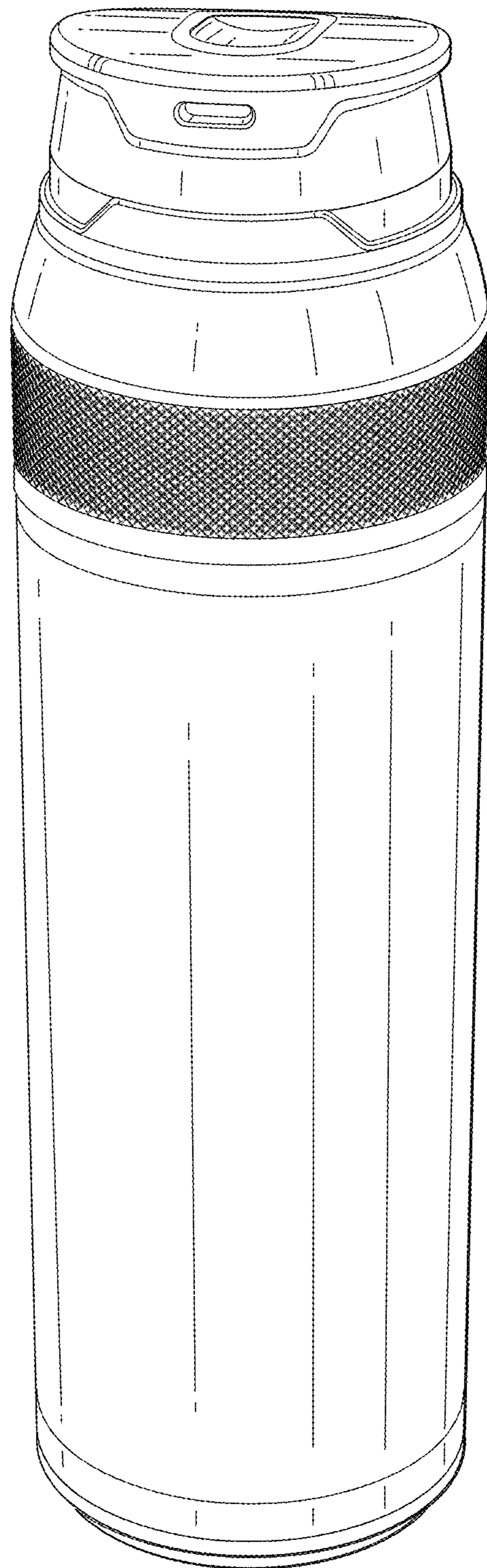


FIG. 1

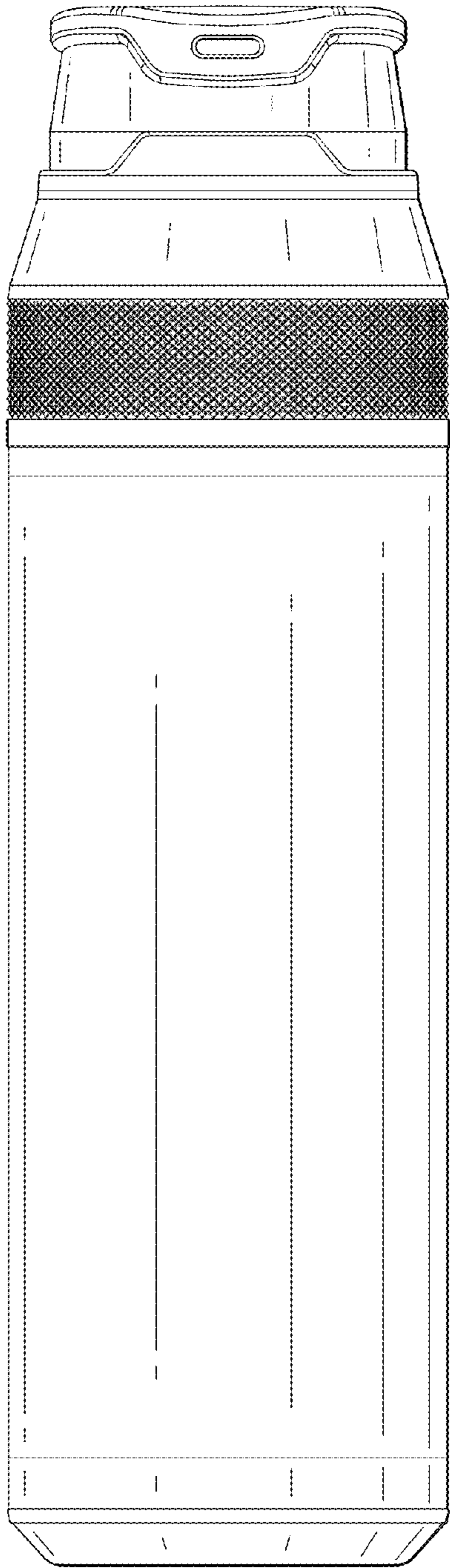


FIG. 2

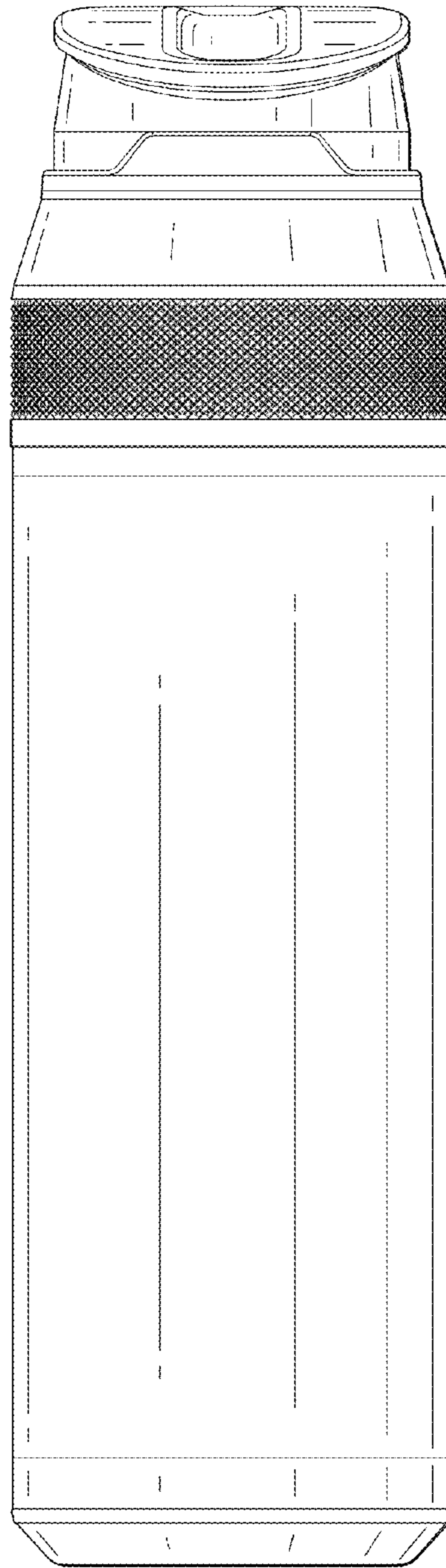


FIG. 3

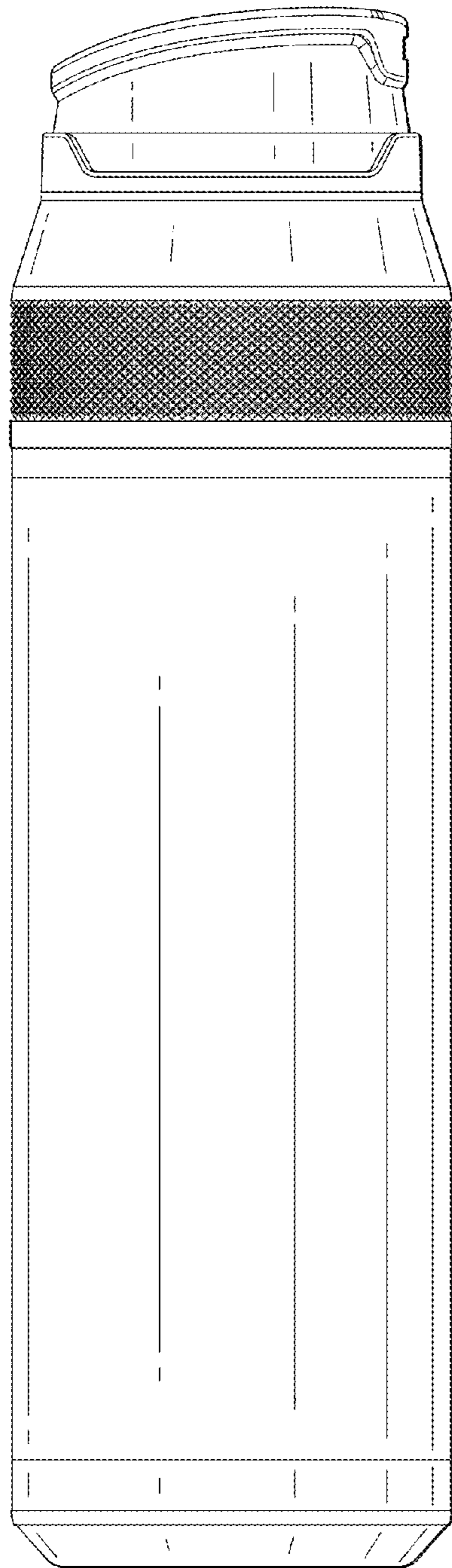


FIG. 4

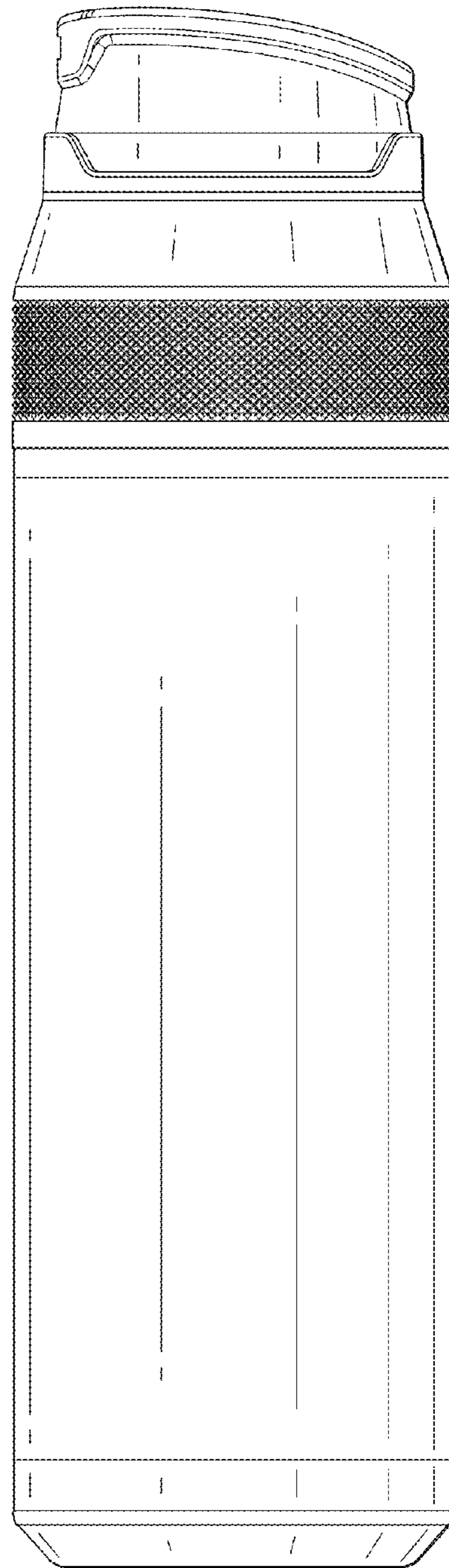


FIG. 5

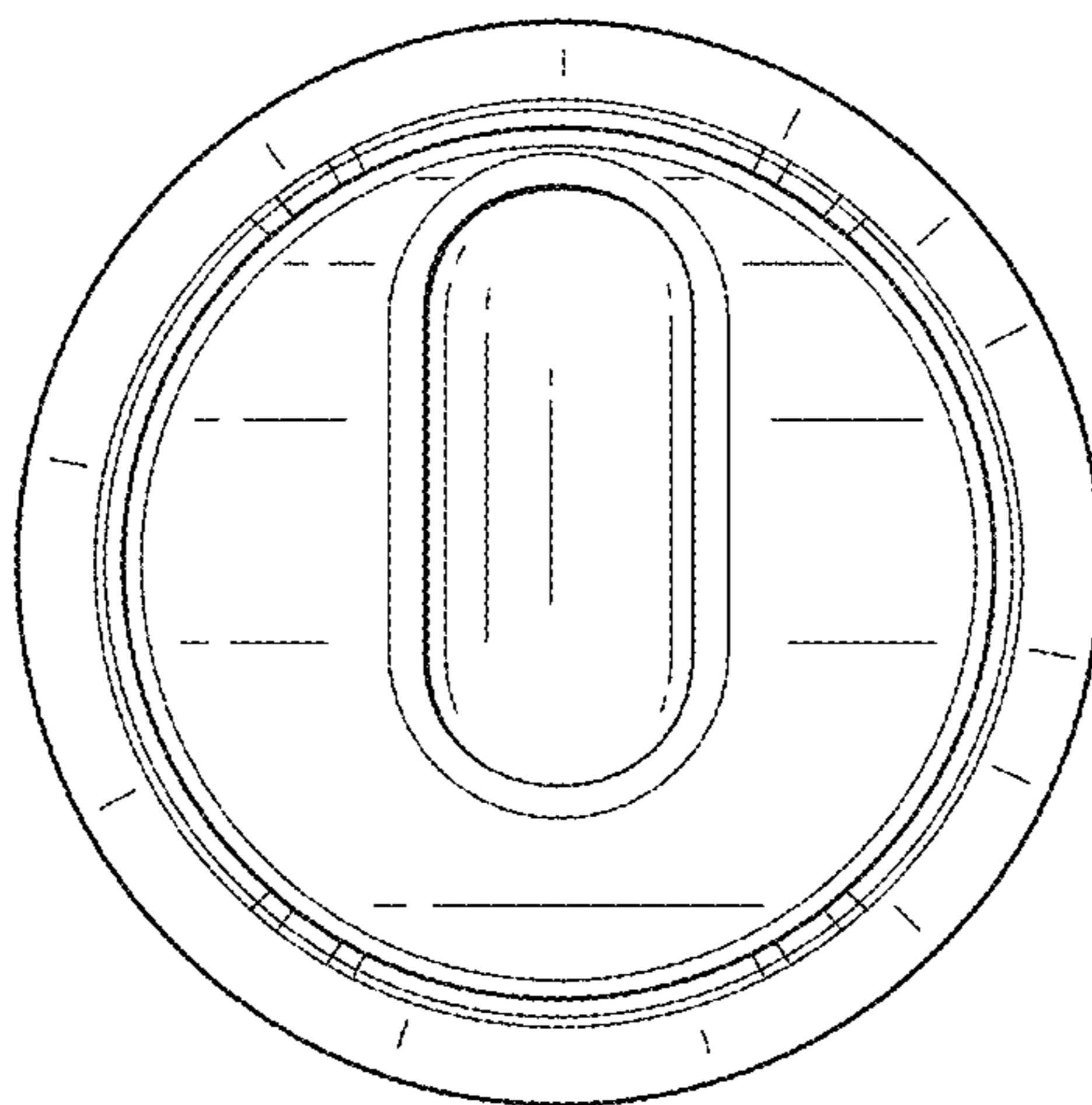


FIG. 6

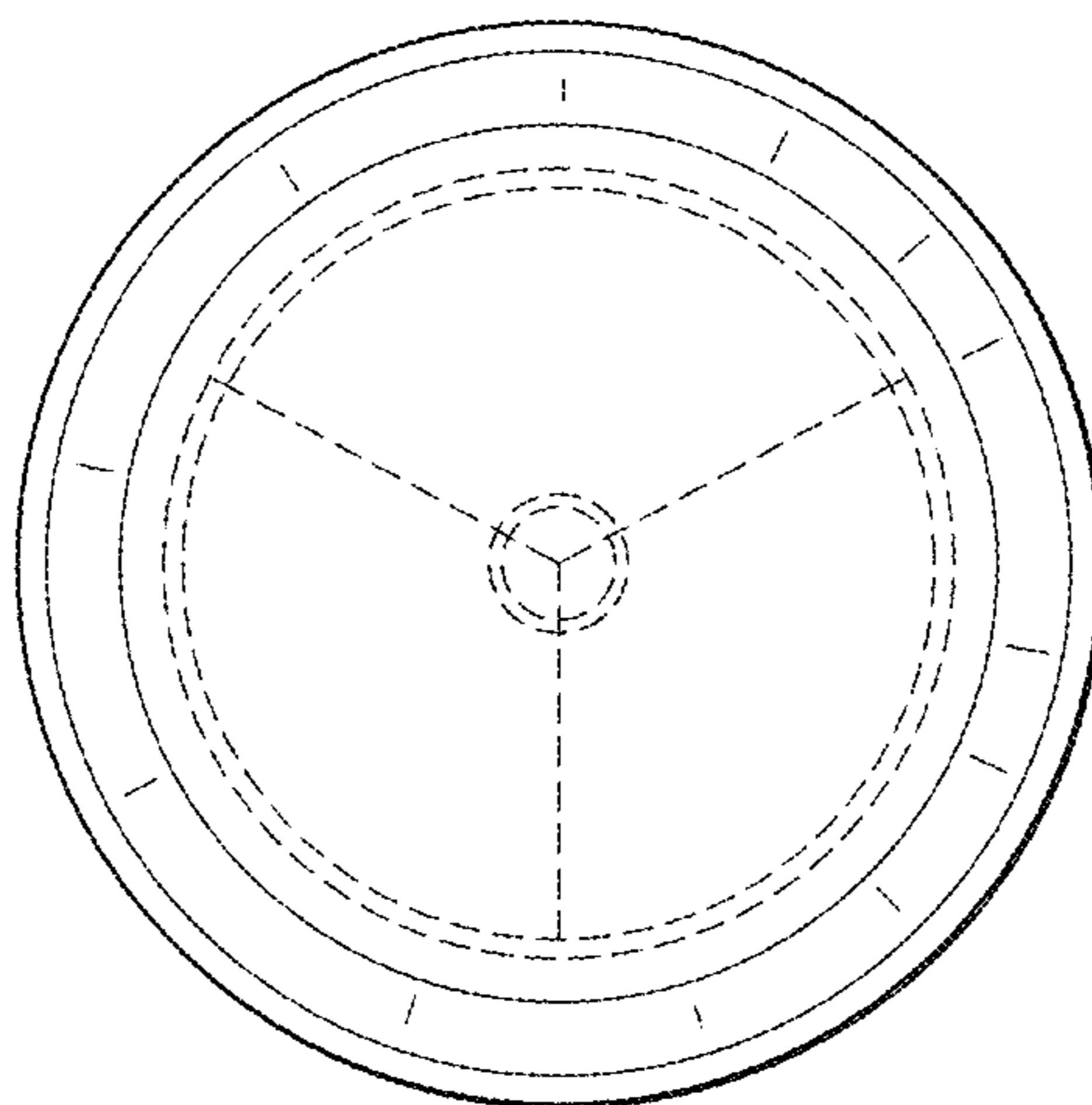


FIG. 7