



US00D728370S

(12) **United States Design Patent**
Claussen

(10) **Patent No.:** **US D728,370 S**

(45) **Date of Patent:** **** May 5, 2015**

(54) **BEVERAGE CONTAINER**

(71) Applicant: **Harvey Leroy Claussen**, Portland, OR
(US)

(72) Inventor: **Harvey Leroy Claussen**, Portland, OR
(US)

(**) Term: **14 Years**

(21) Appl. No.: **29/450,825**

(22) Filed: **Mar. 23, 2013**

(51) **LOC (10) Cl.** **09-01**

(52) **U.S. Cl.**

USPC **D9/503**; D9/453

(58) **Field of Classification Search**

CPC B65D 1/00; B65D 1/02; B65D 1/12;
B65D 1/14; B65D 1/16; B65D 1/165; B65D
23/00; B65D 81/00; B65D 2203/04; B65D
2501/00; B65D 2501/0009

USPC D9/434-435, 452-453, 454, 500,
D9/502-505, 516, 529-530, 537-541,
D9/544-545, 547, 549, 558, 682, 685-686,
D9/688-691, 715, 719, 724, 763-764, 772,
D9/776-777; D7/300, 300.1, 598;
D24/197; 215/379, 381; 220/660, 662,
220/675

See application file for complete search history.

(56) **References Cited**

U.S. PATENT DOCUMENTS

D89,809 S * 5/1933 Von Till D9/453
2,830,721 A * 4/1958 Adakonis et al. 215/12.2
D334,711 S * 4/1993 Ekuan D9/503
D335,451 S * 5/1993 Schmidt D9/502

D346,113 S * 4/1994 Ferguson et al. D23/211.1
D373,729 S * 9/1996 Protheroe et al. D9/500
D477,224 S * 7/2003 Hussain D9/453
D519,837 S * 5/2006 Sturk et al. D9/453
D534,796 S * 1/2007 Falkenburg D9/434
D546,183 S * 7/2007 Clutter D9/500
D581,278 S * 11/2008 Shibata et al. D9/529
D604,942 S * 12/2009 Smith D3/202
D645,349 S * 9/2011 Tilton D9/453
D670,858 S * 11/2012 Fakhouri et al. D27/189
D677,161 S * 3/2013 Titherington D9/453
D681,459 S * 5/2013 Ramsey et al. D9/452
D682,697 S * 5/2013 Gonzalez Rodriguez D9/500
D691,047 S * 10/2013 Titherington D9/453
D717,948 S * 11/2014 Strong et al. D24/130

FOREIGN PATENT DOCUMENTS

WO DM/062281 * 12/2002

* cited by examiner

Primary Examiner — Ian Simmons

Assistant Examiner — Dana L Meyrow

(74) *Attorney, Agent, or Firm* — Stolowitz Ford Cowger
LLP

(57) **CLAIM**

The ornamental design for a beverage container, as shown and
described.

DESCRIPTION

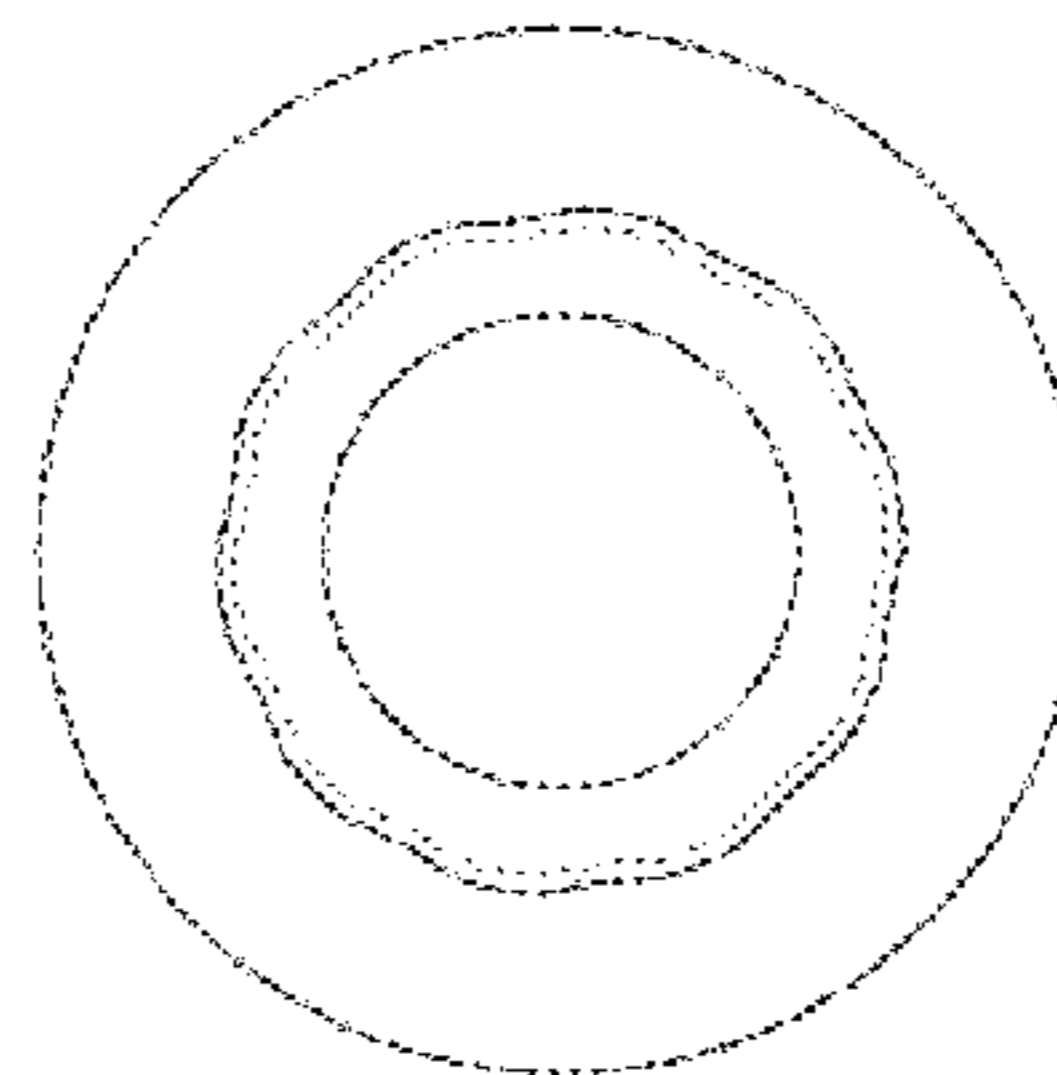
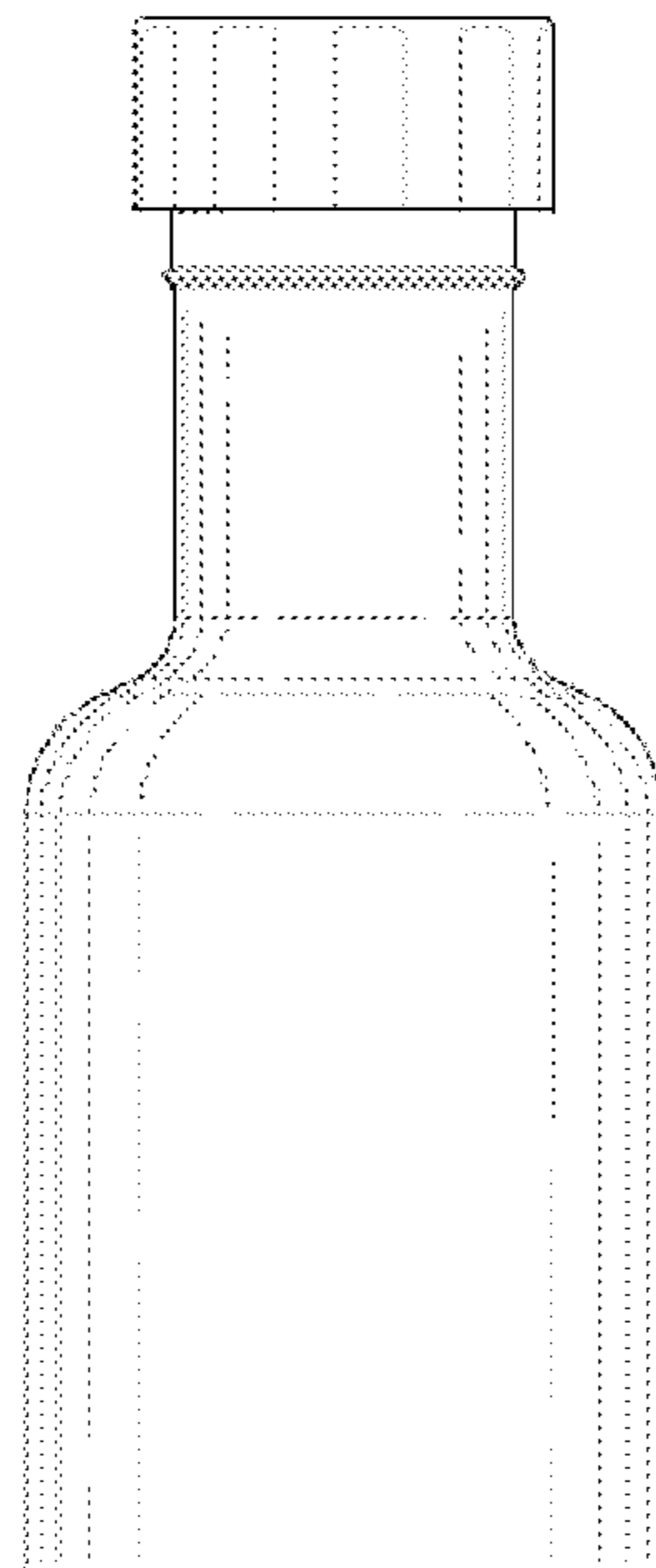
FIG. 1 is an upper side perspective view of a beverage con-
tainer;

FIG. 2 is a top plan view thereof; and,

FIG. 3 is a side elevation view thereof.

All sides not shown form no part of the claimed design.

1 Claim, 2 Drawing Sheets



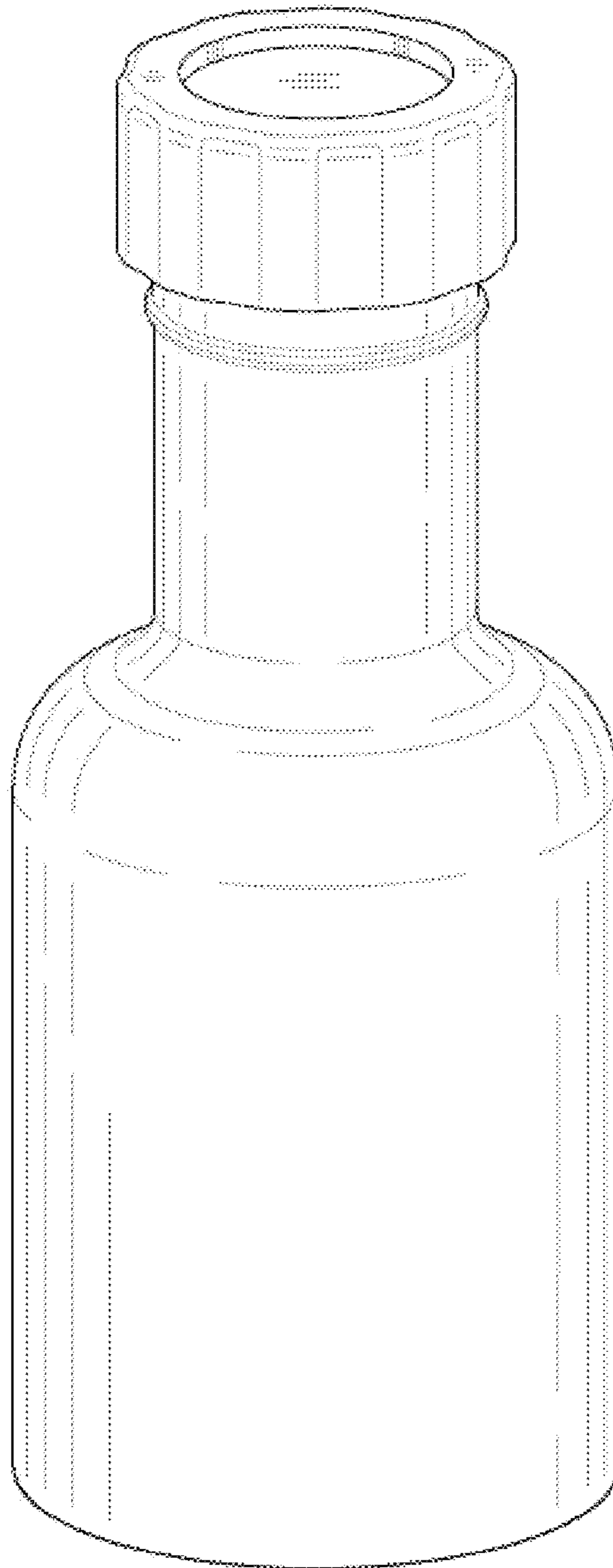


Fig. 1

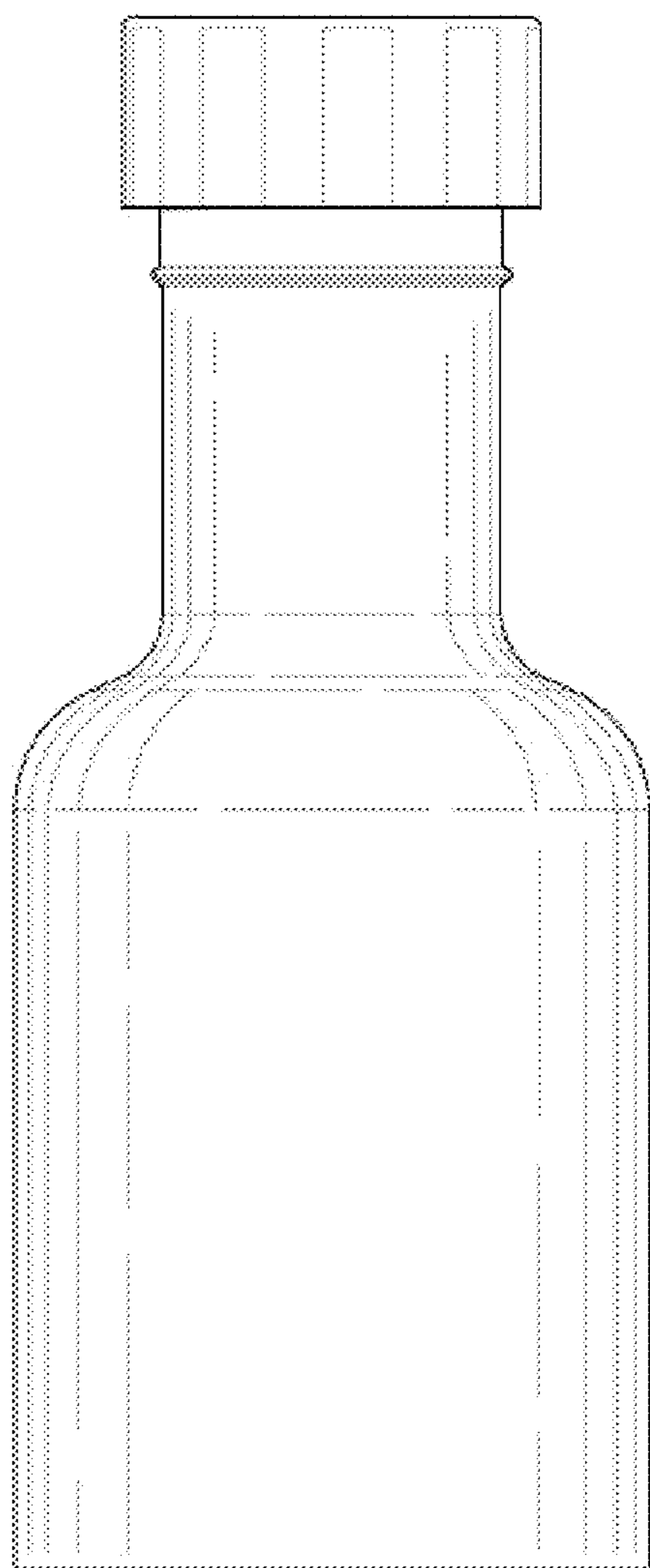


Fig. 2

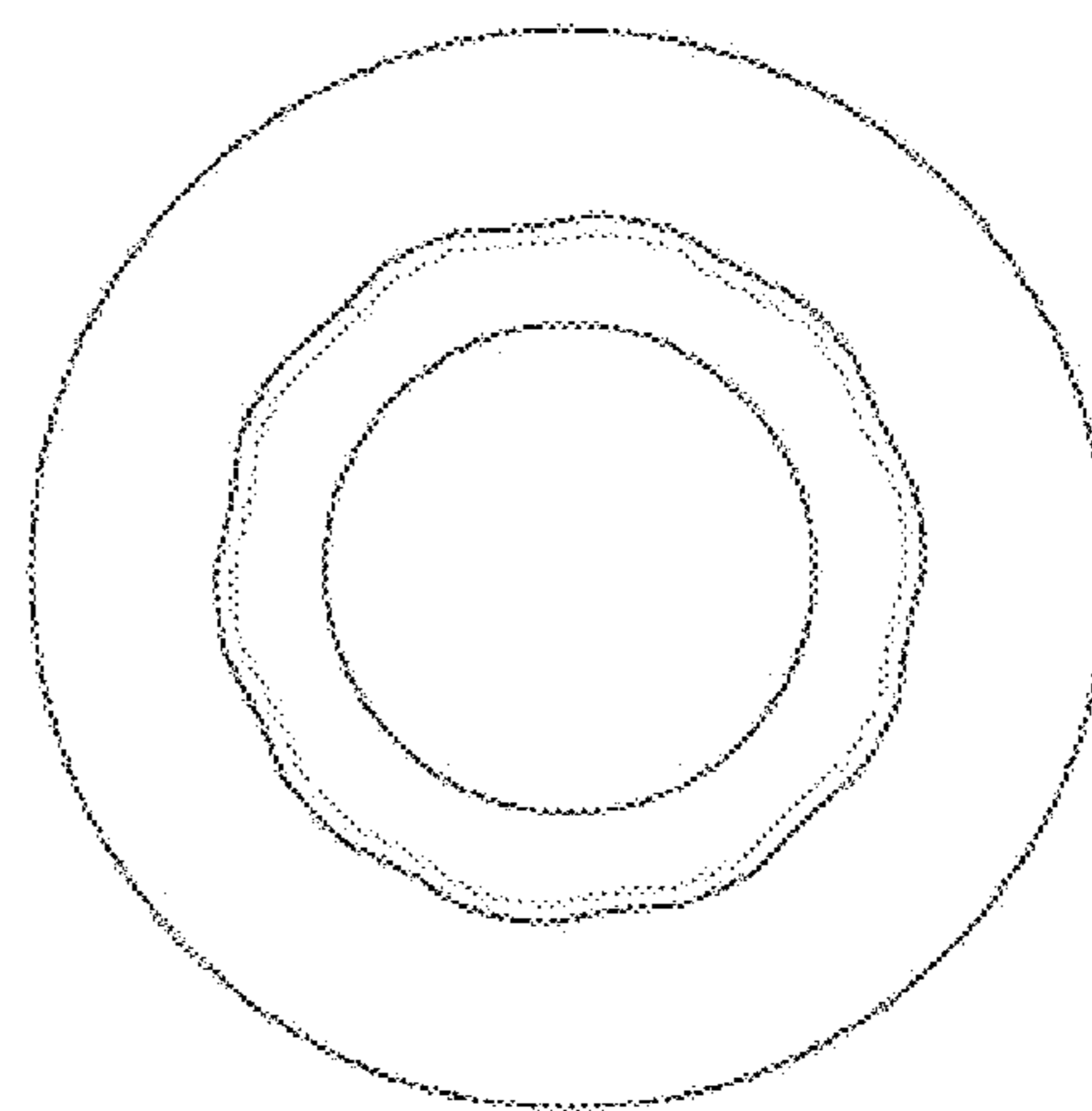


Fig. 3