



US00D728362S

(12) **United States Design Patent**
Kelly

(10) **Patent No.:** **US D728,362 S**
(45) **Date of Patent:** **** May 5, 2015**

- (54) **CONTAINER**
- (71) Applicant: **Glaxo Group Limited**, Brentford, Middlesex (GB)
- (72) Inventor: **Andrew Michael Kelly**, Letchworth (GB)
- (73) Assignee: **Glaxo Group Limited**, Brentford, Middlesex (GB)
- (**) Term: **14 Years**
- (21) Appl. No.: **29/481,358**
- (22) Filed: **Feb. 5, 2014**

Related U.S. Application Data

- (62) Division of application No. 29/452,572, filed on Apr. 18, 2013, now Pat. No. Des. 701,456.

Foreign Application Priority Data

- (30) Oct. 23, 2012 (GB) 4027107
- Oct. 23, 2012 (GB) 4027108
- Oct. 23, 2012 (GB) 4027109
- Oct. 23, 2012 (GB) 4027110

- (51) **LOC (10) Cl.** **09-03**
- (52) **U.S. Cl.**
USPC **D9/420**

- (58) **Field of Classification Search**
USPC 229/100, 101, 101.3, 106, 108, 108.1, 229/116.1, 116.3, 116.5, 121, 122, 201, 229/213, 221, 222, 227, 922, 939, 942; 206/225, 233, 278, 297, 299, 389, 391, 206/409, 457, 494, 770, 737, 812, 822, 206/824; D3/272, 273; D9/414, 418, 420, D9/421, 422, 423, 431, 432, 426; D6/512, D6/515-523

See application file for complete search history.

(56) **References Cited**

U.S. PATENT DOCUMENTS

- D208,828 S * 10/1967 Braun D9/423

- 3,390,809 A * 7/1968 Becucci 220/326
- D245,762 S 9/1977 Takacs
- D292,626 S 11/1987 Chevassus
- D365,206 S 12/1995 Goodman
- D373,952 S 9/1996 Exarhos et al.
- D403,176 S * 12/1998 Harper D6/440
- D406,233 S 3/1999 Kaplan
- D417,077 S * 11/1999 Sheu D3/294
- D449,165 S * 10/2001 van der Hulst D3/294
- D458,127 S 6/2002 de Groote
- D516,801 S 3/2006 Jones, III et al.
- D546,173 S * 7/2007 Au D9/420
- D546,671 S 7/2007 Cronin et al.
- D549,119 S * 8/2007 Becker D10/104.1
- D569,103 S * 5/2008 Hoge et al. D3/294
- D623,052 S 9/2010 Giraud et al.
- D708,940 S * 7/2014 Juna et al. D9/420
- D717,161 S * 11/2014 Liu D9/426
- 2009/0134209 A1 * 5/2009 Tonaltzin 229/116.1

* cited by examiner

Primary Examiner — Robert M Spear

Assistant Examiner — Keith Frank

(74) *Attorney, Agent, or Firm* — James P. Riek

(57) **CLAIM**

The ornamental design for a container, as shown and described.

DESCRIPTION

FIG. 1 is a front, top perspective view of a container of the present design;
 FIG. 2 is a front view thereof;
 FIG. 3 is an opposite side view thereof;
 FIG. 4 is a plan view thereof;
 FIG. 5 is an underneath plan view thereof;
 FIG. 6 is a rear view thereof; and,
 FIG. 7 is a front, top perspective view thereof from the opposite side in an open usage configuration.
 The broken line portion of the figure drawings is included to show unclaimed subject matter only and forms no part of the claimed design.

1 Claim, 3 Drawing Sheets

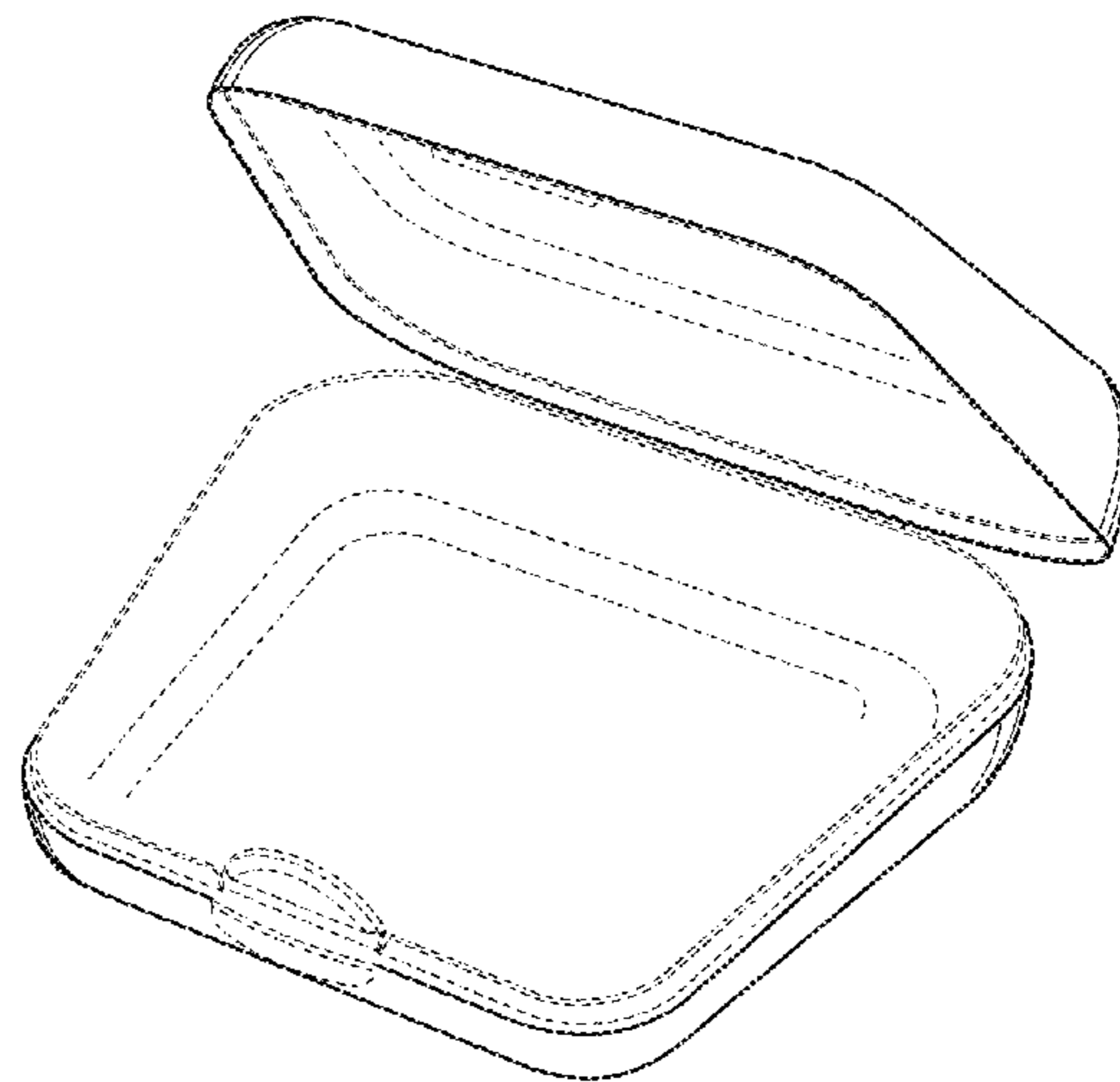
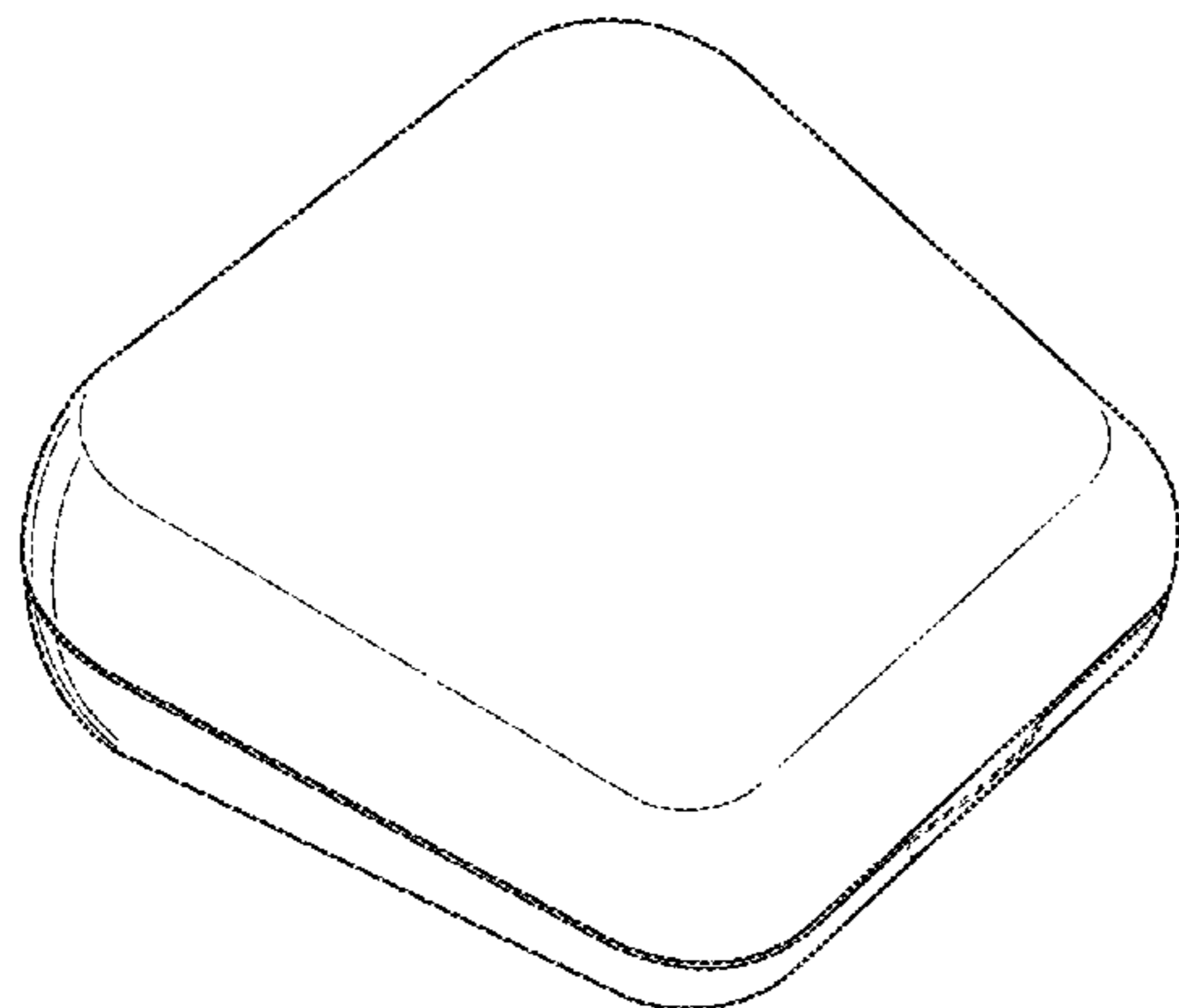


FIG. 1

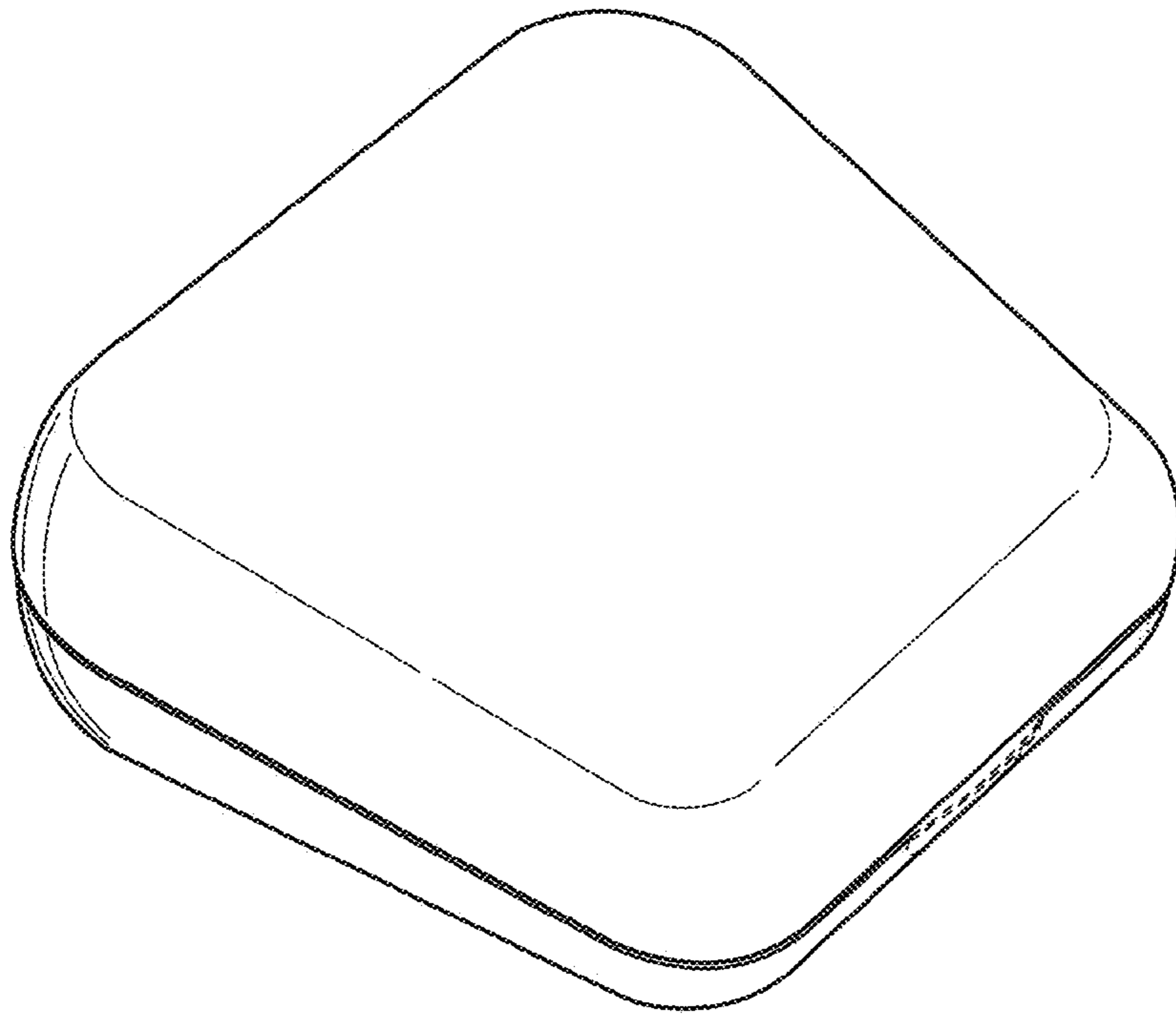


FIG. 2

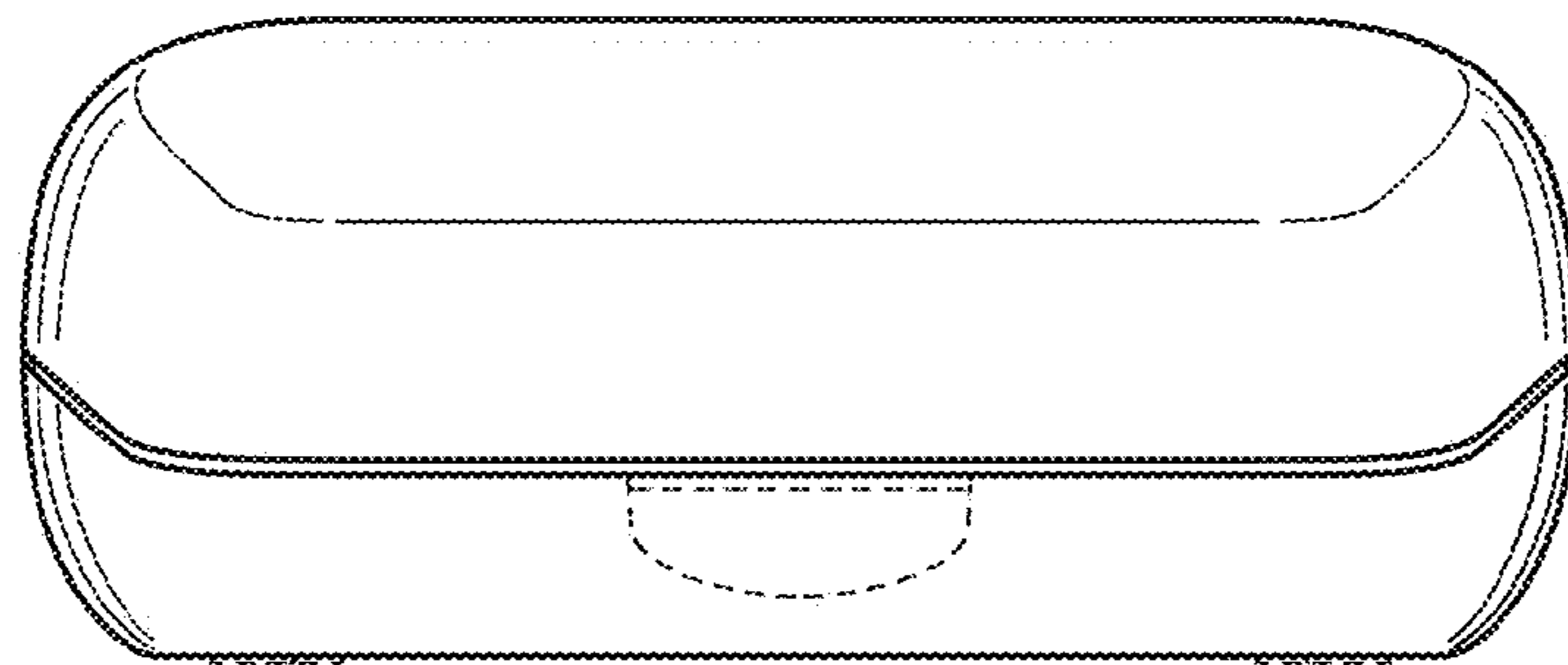


FIG. 3

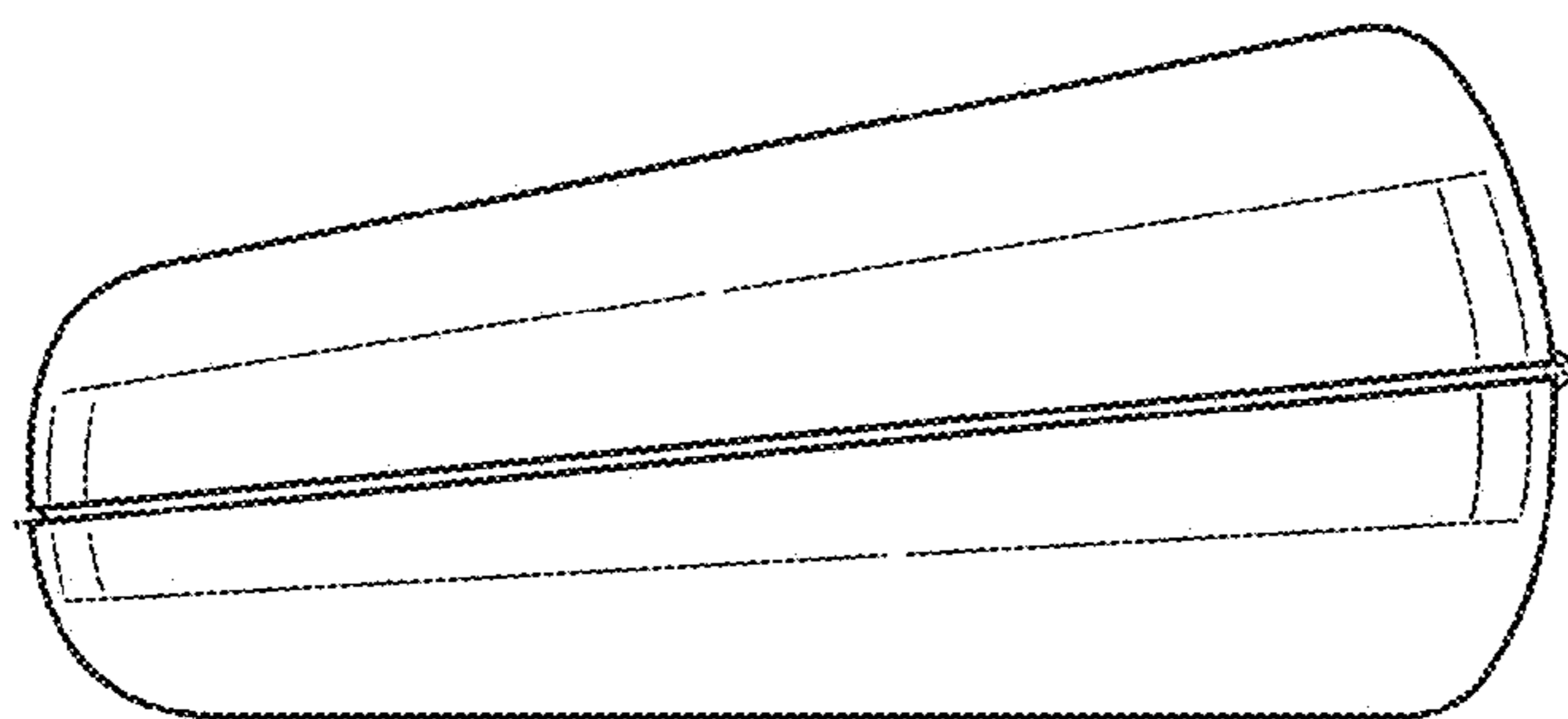


FIG. 4

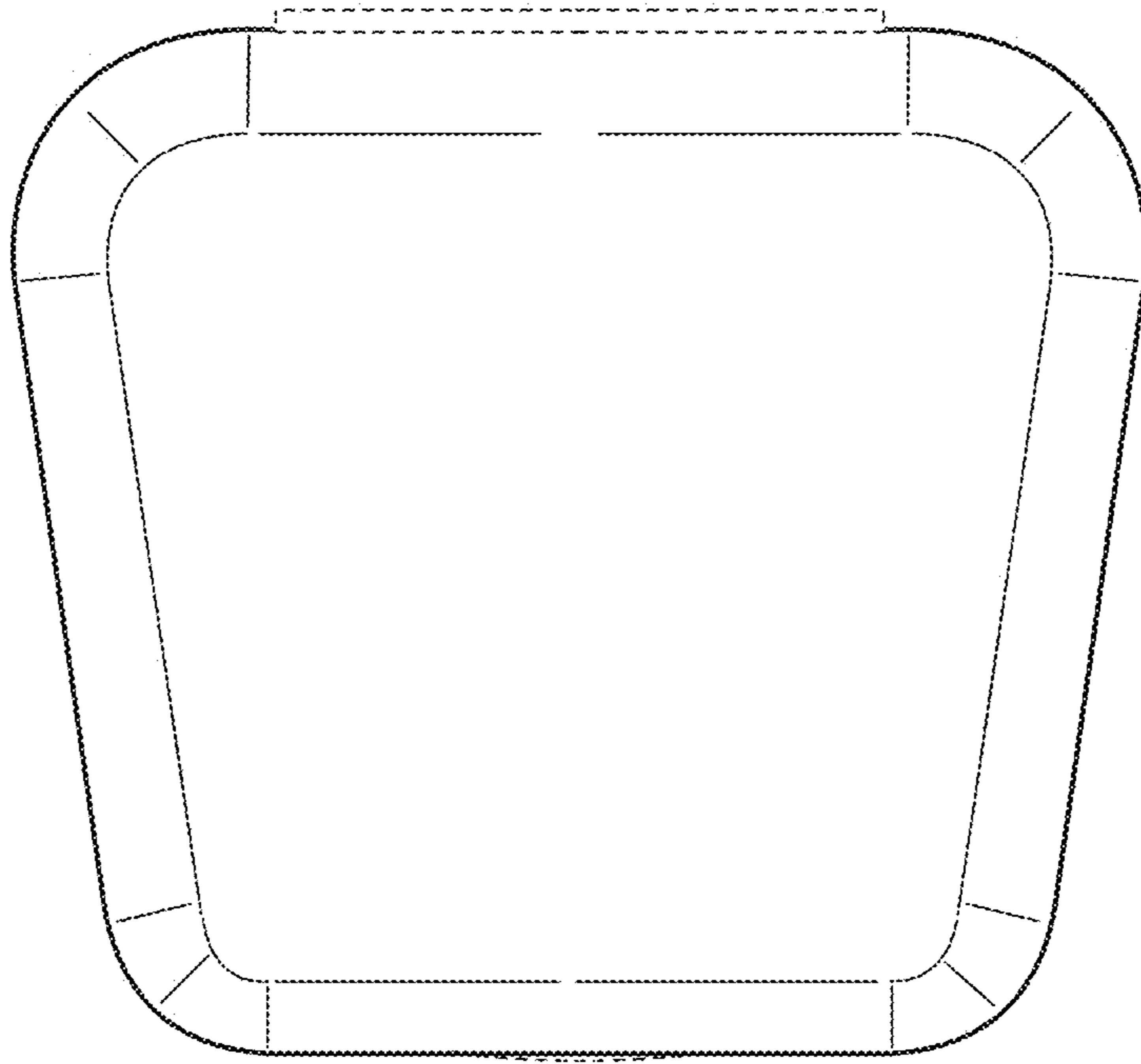


FIG. 5

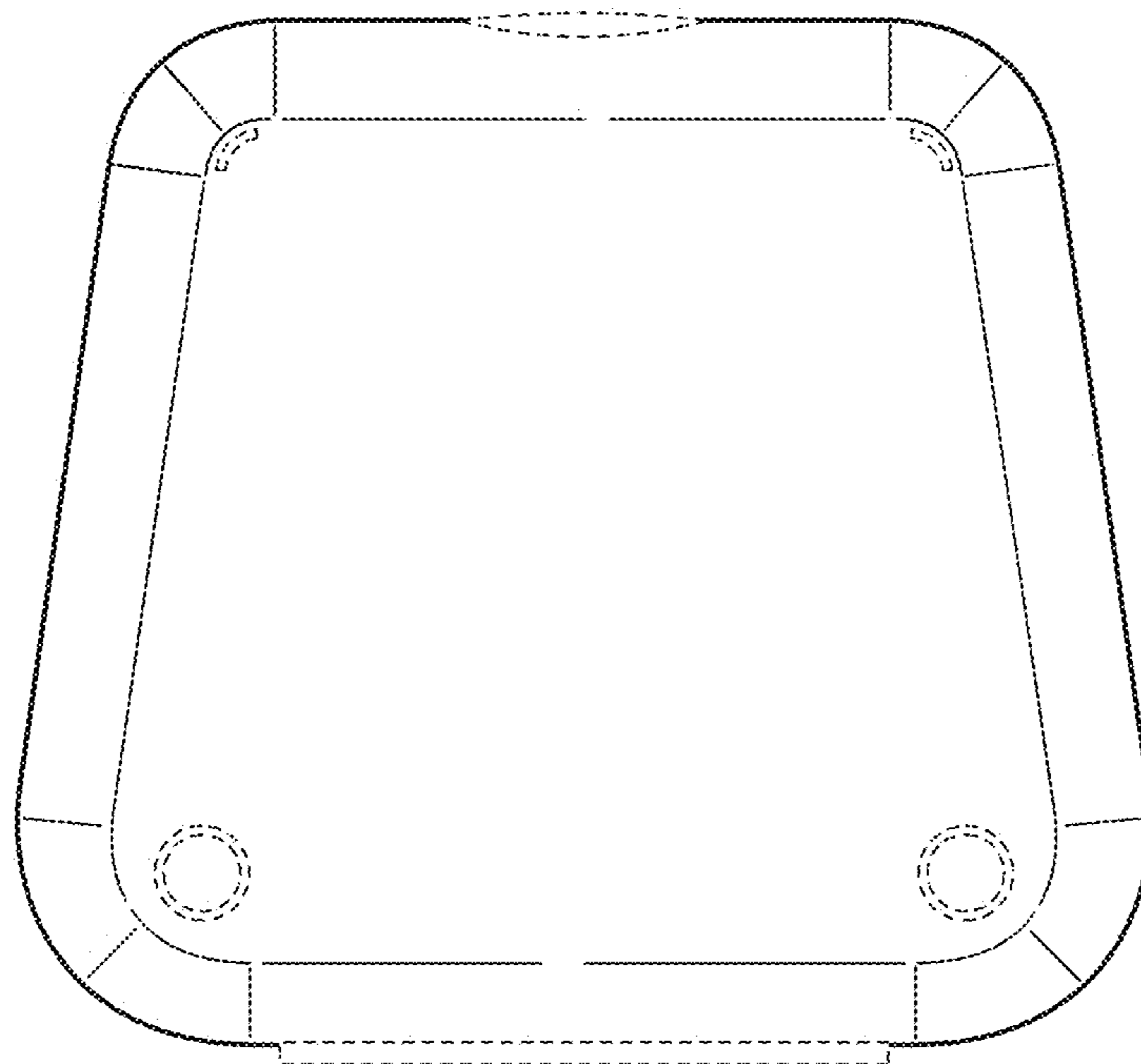


FIG. 6

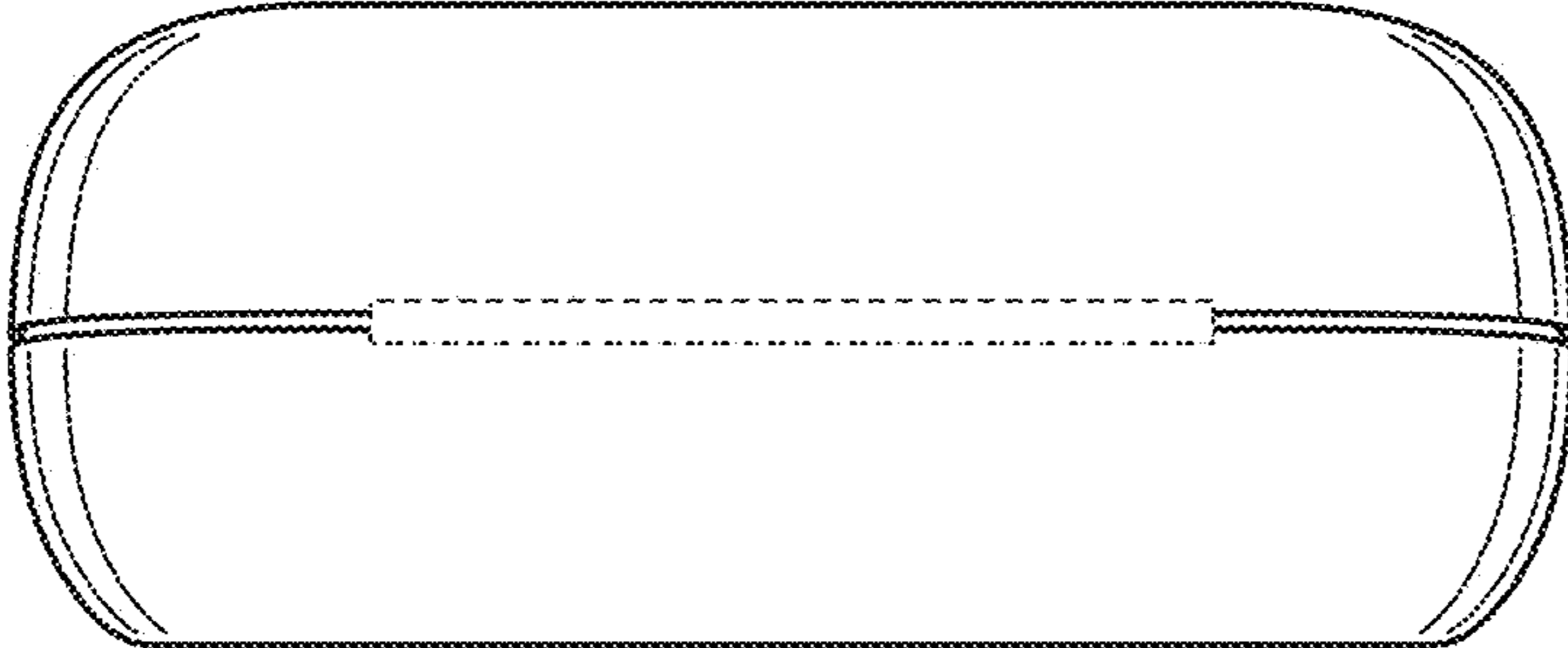


FIG. 7

