



US00D728361S

(12) **United States Design Patent**
Farley et al.

(10) **Patent No.:** **US D728,361 S**
(45) **Date of Patent:** **** May 5, 2015**

(54) **CONTAINER**

- (71) Applicant: **Glaxo Group Limited**, Brentford, Middlesex (GB)
- (72) Inventors: **Stuart John Farley**, Ware (GB);
Andrew Michael Kelly, Letchworth (GB)
- (73) Assignee: **Glaxo Group Limited**, Brentford, Middlesex (GB)
- (**) Term: **14 Years**
- (21) Appl. No.: **29/481,356**
- (22) Filed: **Feb. 5, 2014**

Related U.S. Application Data

- (62) Division of application No. 29/452,572, filed on Apr. 18, 2013, now Pat. No. Des. 701,456.

(30) **Foreign Application Priority Data**

- Oct. 23, 2012 (GB) 4027107
- Oct. 23, 2012 (GB) 4027108
- Oct. 23, 2012 (GB) 4027109
- Oct. 23, 2012 (GB) 4027110

- (51) **LOC (10) Cl.** **09-03**
- (52) **U.S. Cl.**
USPC **D9/420**

- (58) **Field of Classification Search**
USPC 229/100, 101, 101.3, 106, 108, 108.1, 229/116.1, 116.3, 116.5, 121, 122, 201, 229/213, 221, 222, 227, 922, 939, 942; 206/225, 233, 278, 297, 299, 389, 391, 206/409, 457, 494, 770, 737, 812, 822, 206/824; D3/272, 273; D9/414, 418, 420, D9/421, 422, 423, 431, 432, 426; D6/512, D6/515-523

See application file for complete search history.

(56) **References Cited**

U.S. PATENT DOCUMENTS

D208,828 S *	10/1967	Braun	D9/423
3,390,809 A *	7/1968	Becucci	220/326
D245,762 S	9/1977	Takacs		
D292,626 S	11/1987	Chevassus		
D365,206 S	12/1995	Goodman		
D373,952 S	9/1996	Exarhos et al.		
D403,176 S *	12/1998	Harper	D6/440
D406,233 S	3/1999	Kaplan		
D417,077 S *	11/1999	Sheu	D3/294
D449,165 S *	10/2001	van der Hulst	D3/294
D458,127 S	6/2002	de Groote		

(Continued)

Primary Examiner — Robert M Spear
Assistant Examiner — Keith Frank
(74) *Attorney, Agent, or Firm* — James P. Riek

(57) **CLAIM**

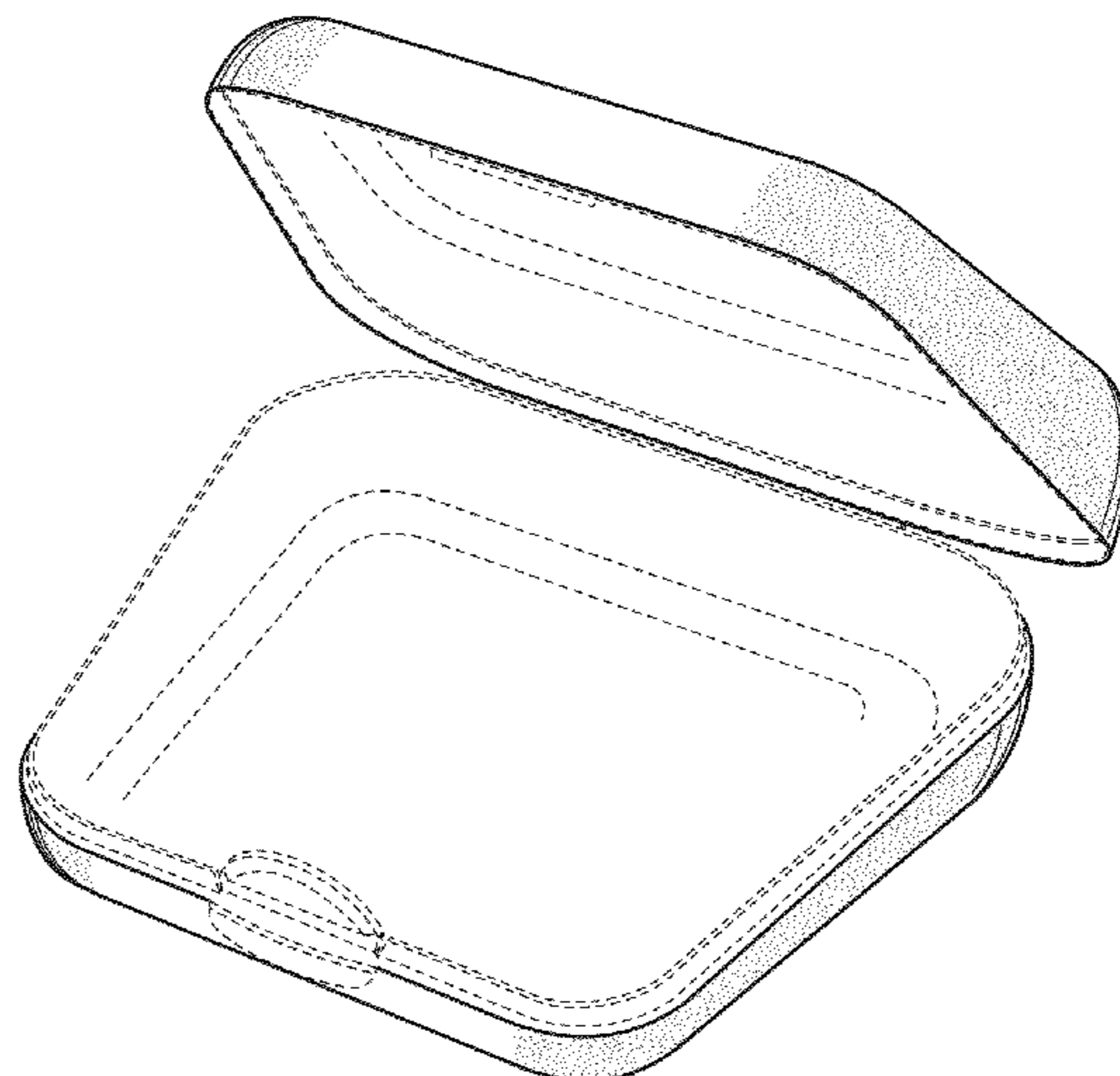
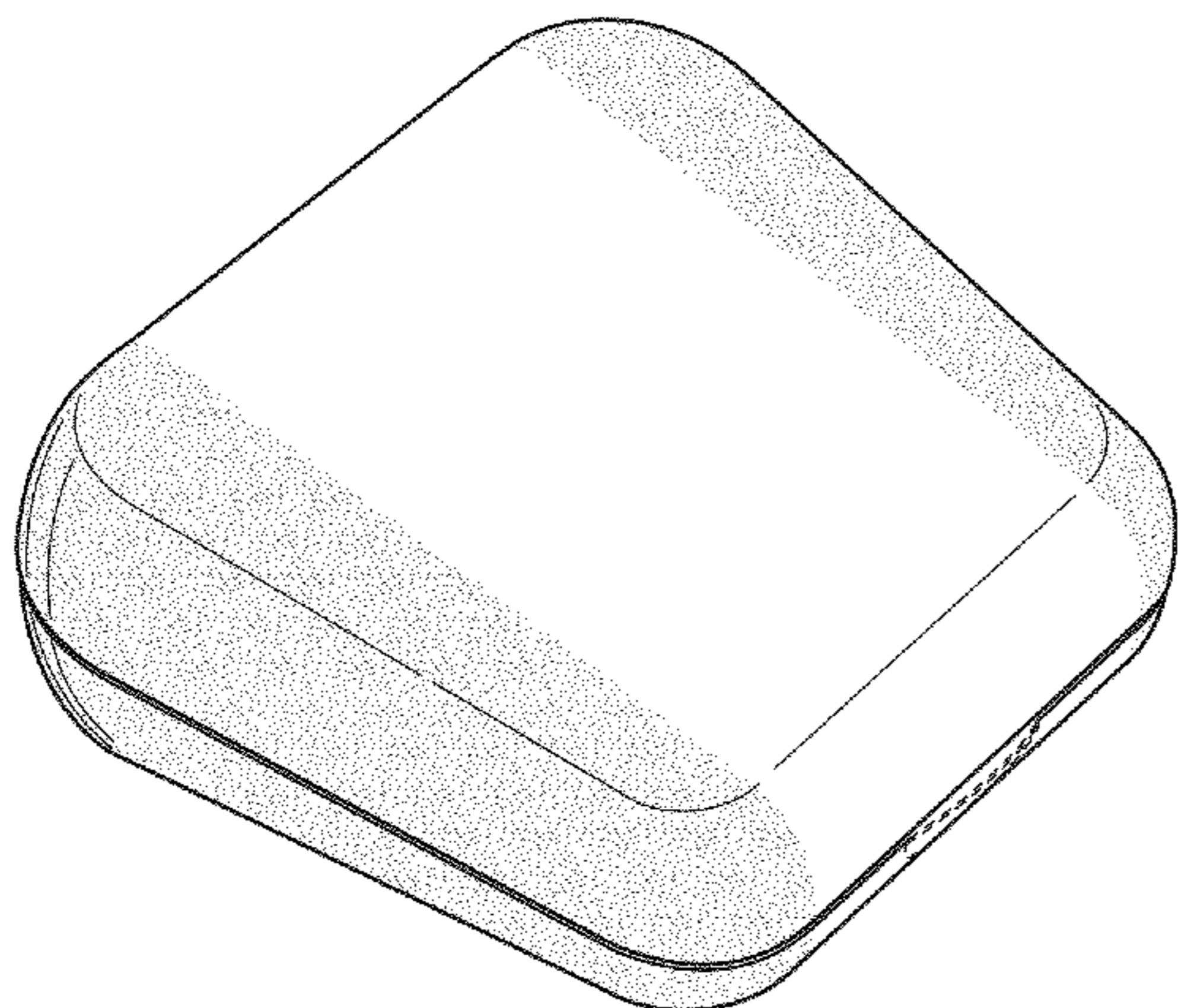
The ornamental design for a container, as shown and described.

DESCRIPTION

FIG. 1 is a front, top perspective view of a container of the present design;
 FIG. 2 is a front view thereof;
 FIG. 3 is an opposite side view thereof;
 FIG. 4 is a plan view thereof;
 FIG. 5 is an underneath plan view thereof;
 FIG. 6 is a rear view thereof;
 FIG. 7 is a front, top perspective view thereof from the opposite side in an open usage configuration;
 FIG. 8 is an enlarged cross section view thereof taken along line 8-8 of FIG. 5; and,
 FIG. 9 is an enlarged fragmentary view of circled detail "9" of FIG. 8.

The variation in tonality in the drawings depicts a claimed contrasting appearance.
 The broken line portion of the figure drawings is included to show unclaimed subject matter only and forms no part of the claimed design.

1 Claim, 4 Drawing Sheets



(56)

References Cited

U.S. PATENT DOCUMENTS

D516,801 S 3/2006 Jones, III et al.
D546,173 S * 7/2007 Au D9/420
D546,671 S 7/2007 Cronin et al.
D549,119 S * 8/2007 Becker D10/104.1

D569,103 S * 5/2008 Hoge et al. D3/294
D623,052 S 9/2010 Giraud et al.
D708,940 S * 7/2014 Juna et al. D9/420
D717,161 S * 11/2014 Liu D9/426
2009/0134209 A1 * 5/2009 Tonaltzin 229/116.1

* cited by examiner

FIG. 1

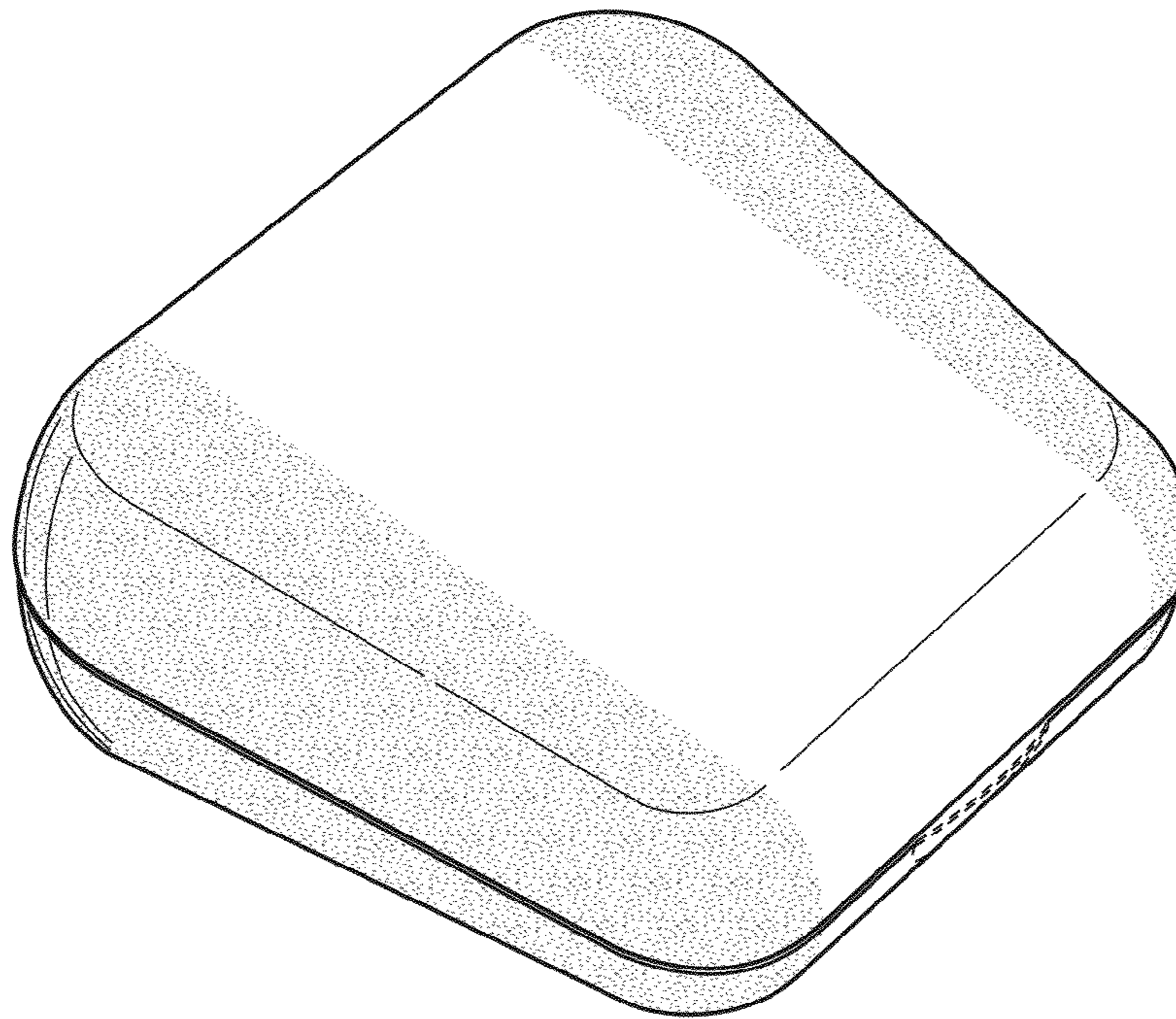


FIG. 2

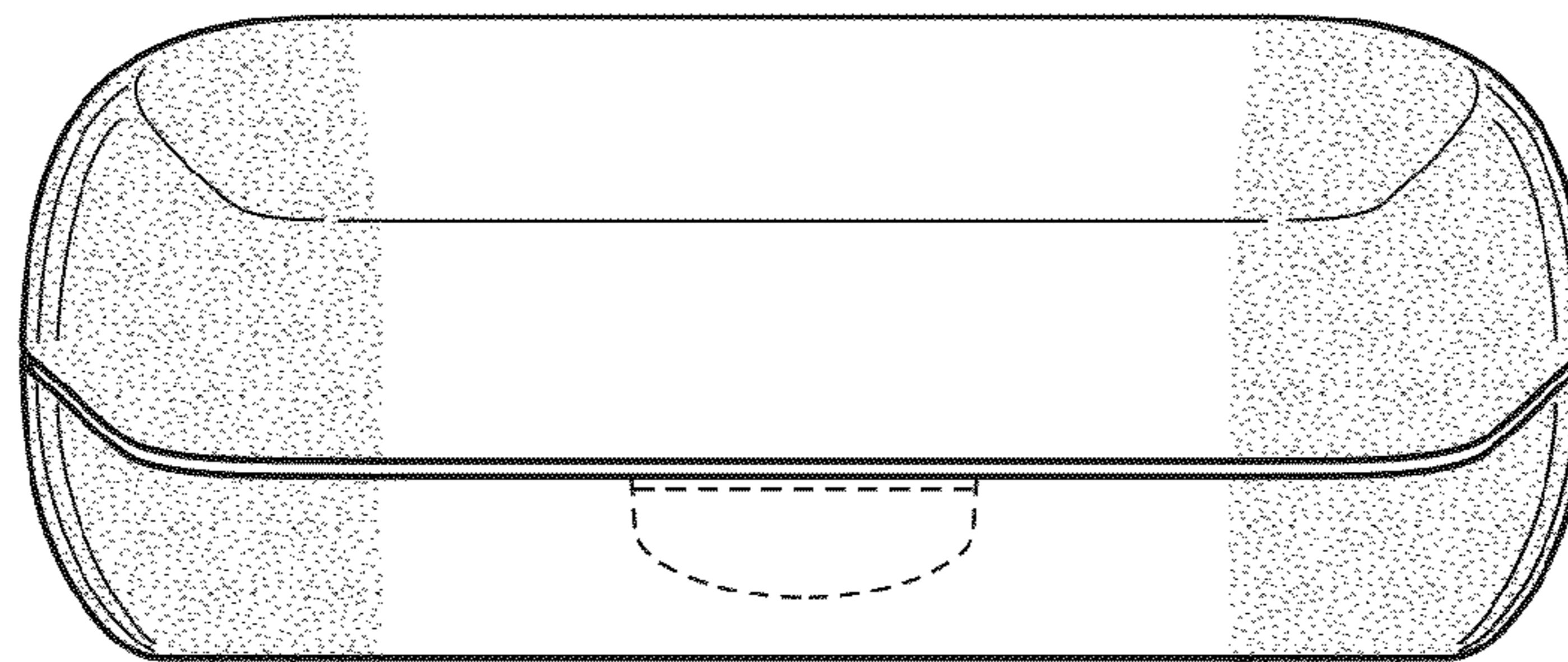


FIG. 3

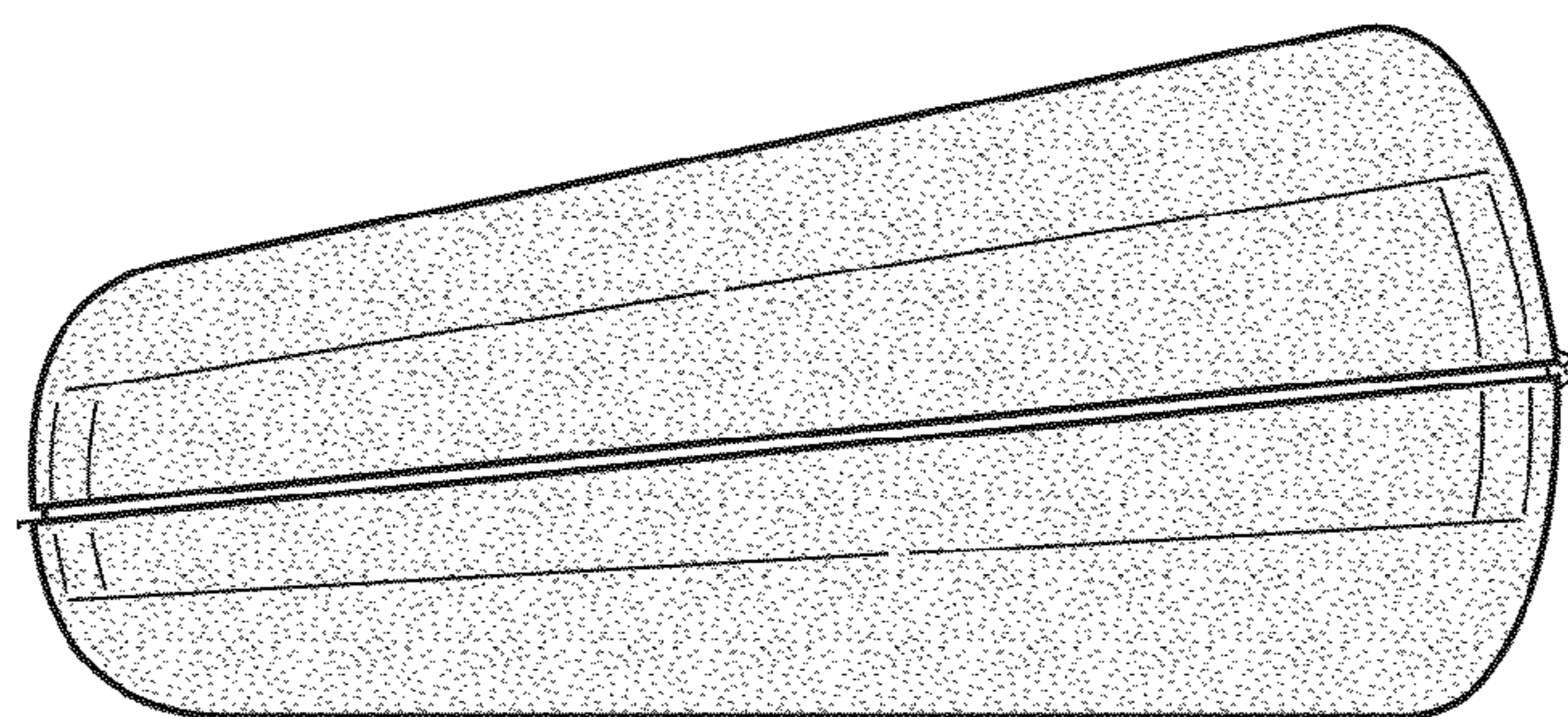


FIG. 4

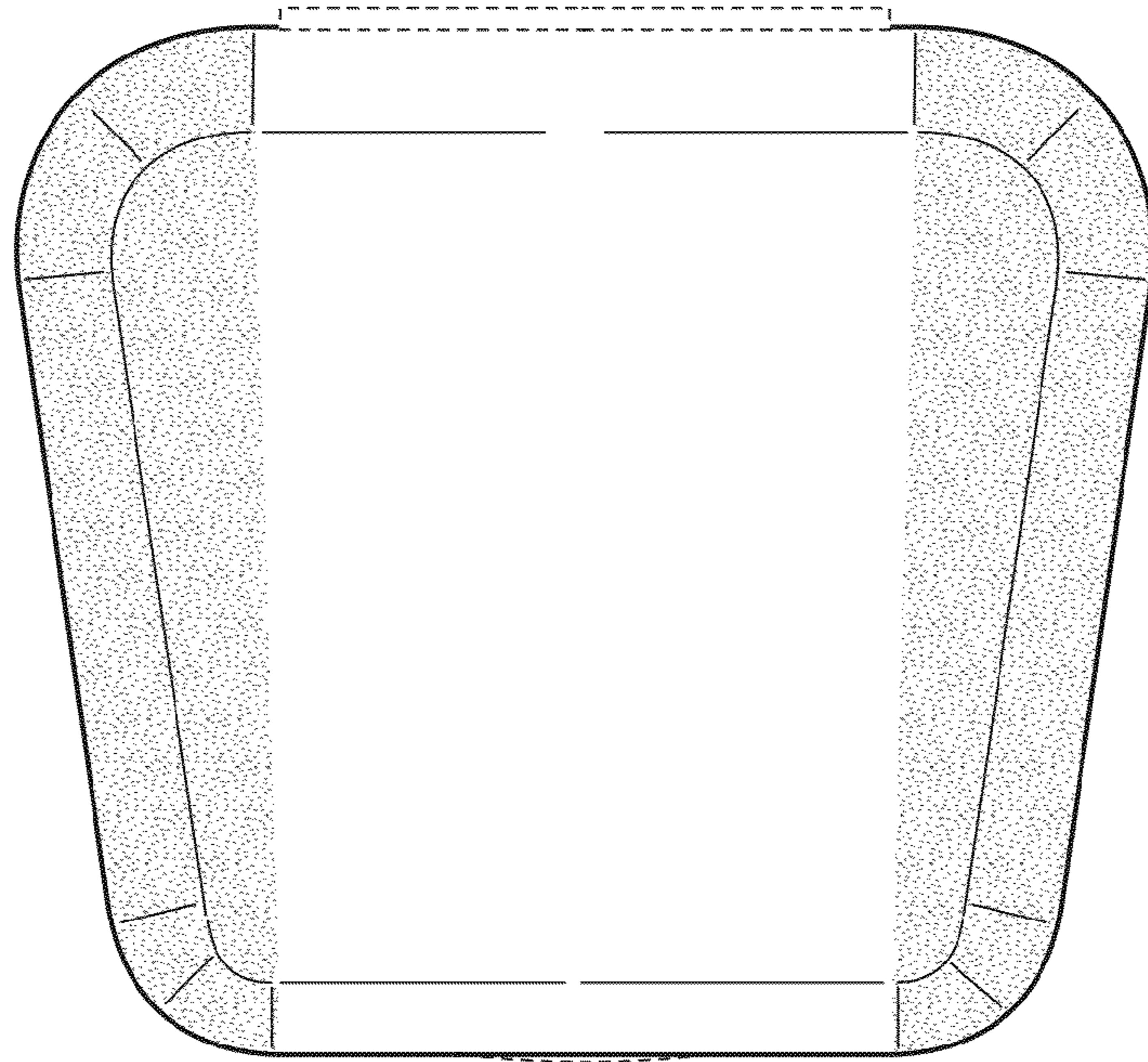


FIG. 5

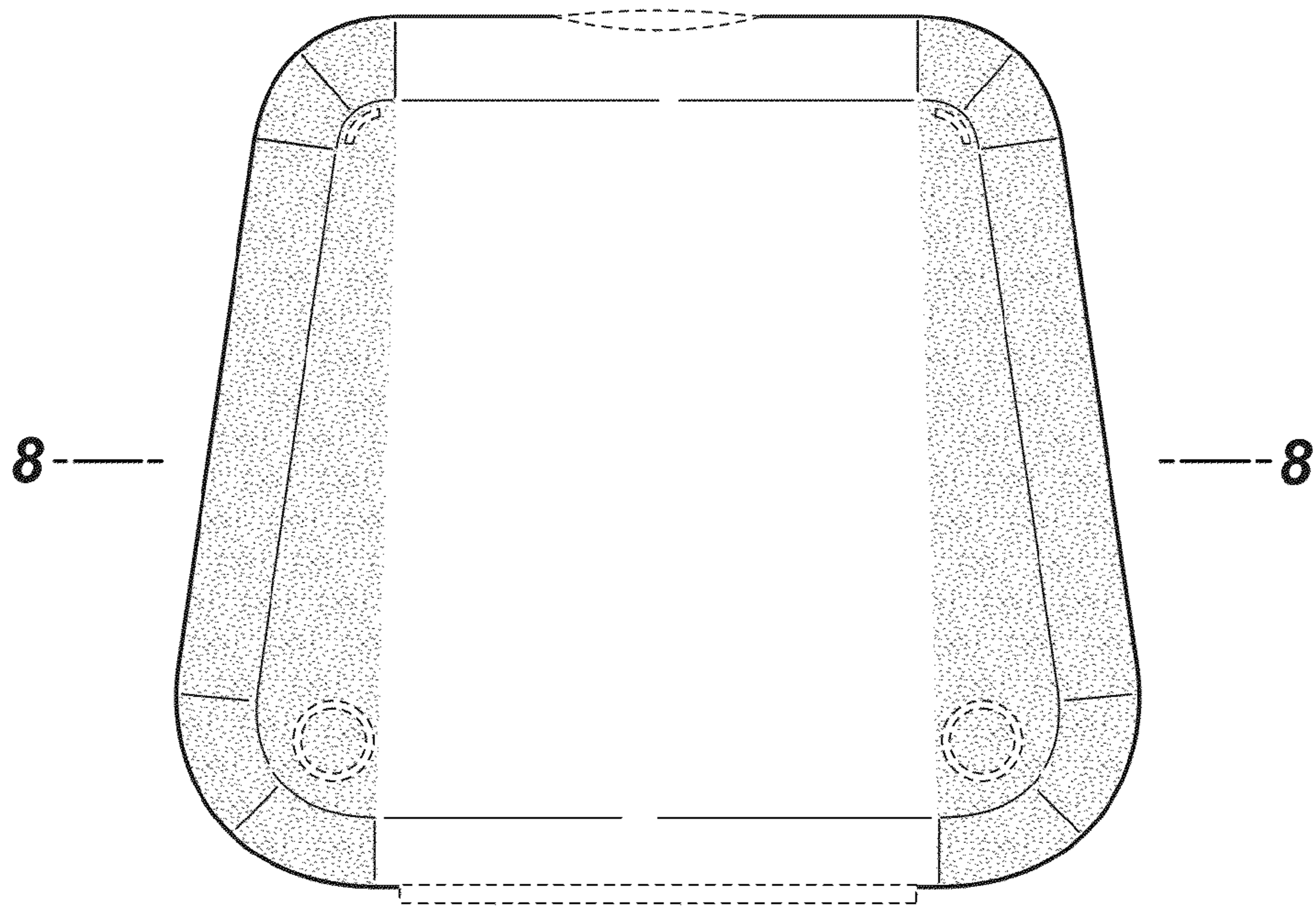


FIG. 6

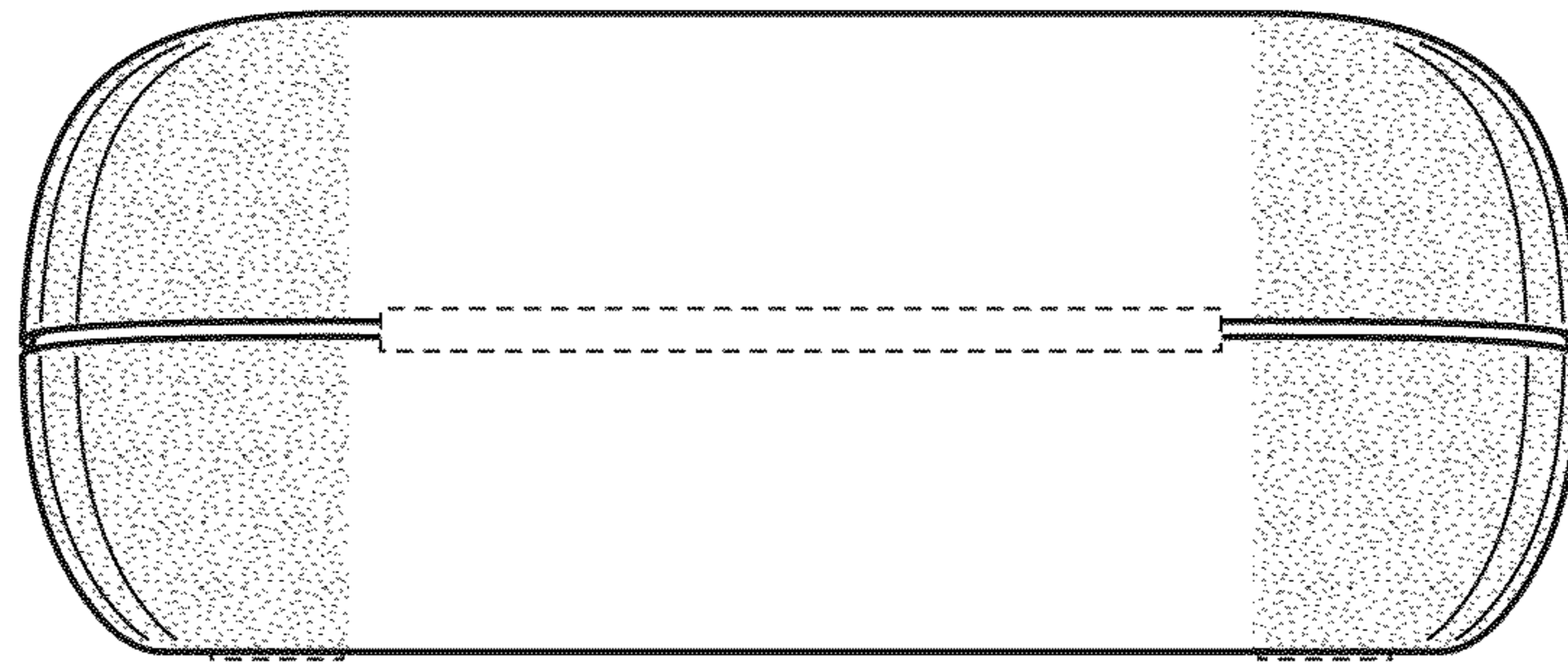


FIG. 7

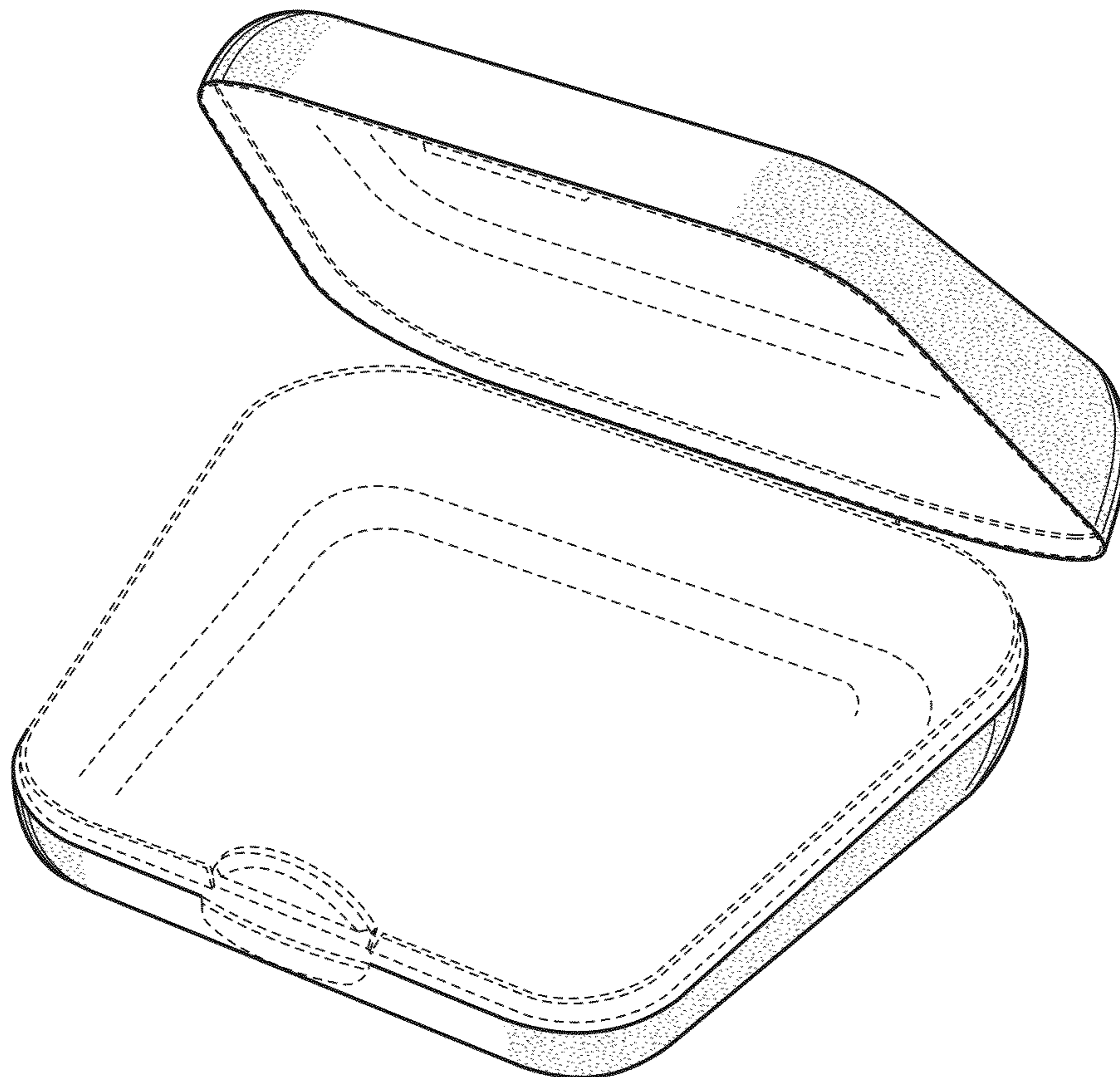


FIG. 8

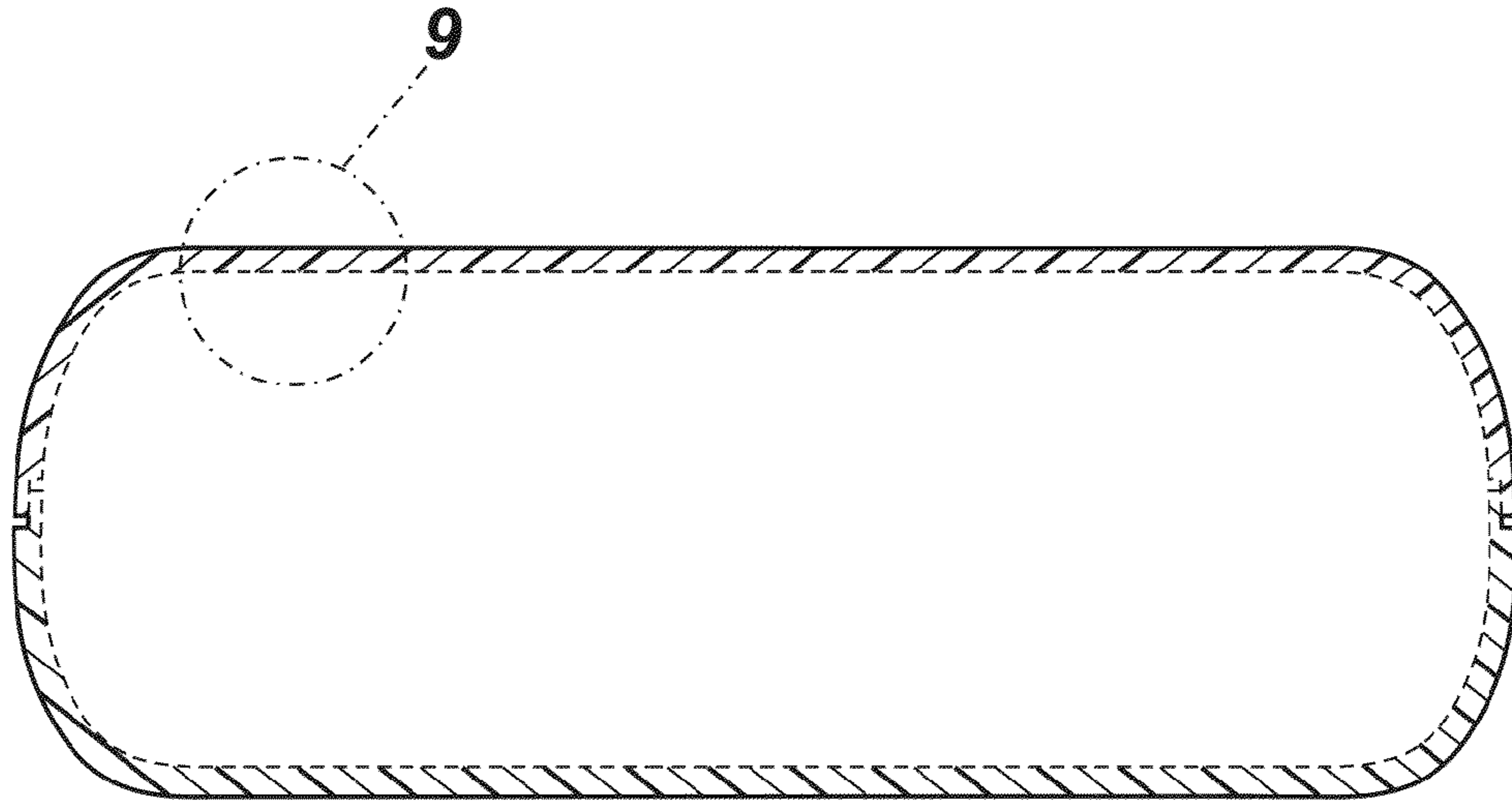


FIG. 9

