



US00D728360S

(12) **United States Design Patent**
Kelly

(10) **Patent No.:** **US D728,360 S**
(45) **Date of Patent:** **** May 5, 2015**

(54) **CONTAINER**

- (71) Applicant: **Glaxo Group Limited**, Brentford, Middlesex (GB)
- (72) Inventor: **Andrew Michael Kelly**, Letchworth (GB)
- (73) Assignee: **Glaxo Group Limited**, Brentford, Middlesex (GB)
- (**) Term: **14 Years**
- (21) Appl. No.: **29/481,353**
- (22) Filed: **Feb. 5, 2014**

Related U.S. Application Data

- (62) Division of application No. 29/452,572, filed on Apr. 18, 2013, now Pat. No. Des. 701,456.

Foreign Application Priority Data

- (30)
 - Oct. 23, 2012 (GB) 4027107
 - Oct. 23, 2012 (GB) 4027108
 - Oct. 23, 2012 (GB) 4027109
 - Oct. 23, 2012 (GB) 4027110
- (51) **LOC (10) Cl.** **09-03**
- (52) **U.S. Cl.**
USPC **D9/420**
- (58) **Field of Classification Search**
USPC 229/100, 101, 101.3, 106, 108, 108.1, 229/116.1, 116.3, 116.5, 121, 122, 201, 229/213, 221, 222, 227, 922, 939, 942; 206/225, 233, 278, 297, 299, 389, 391, 206/409, 457, 494, 770, 737, 812, 822, 206/824; D3/272, 273; D9/414, 418, 420, D9/421, 422, 423, 431, 432, 426
See application file for complete search history.

(56) **References Cited**

U.S. PATENT DOCUMENTS

D208,828 S *	10/1967	Braun	D9/423
3,390,809 A *	7/1968	Becucci	220/326
D245,762 S	9/1977	Takacs		
D292,626 S	11/1987	Chevassus		
D365,206 S	12/1995	Goodman		
D373,952 S	9/1996	Exarhos et al.		
D403,176 S *	12/1998	Harper	D6/440
D406,233 S	3/1999	Kaplan		
D417,077 S *	11/1999	Sheu	D3/294
D449,165 S *	10/2001	van der Hulst	D3/294
D458,127 S	6/2002	de Groote		

(Continued)

Primary Examiner — Robert M Spear
Assistant Examiner — Keith Frank
 (74) *Attorney, Agent, or Firm* — James P. Riek

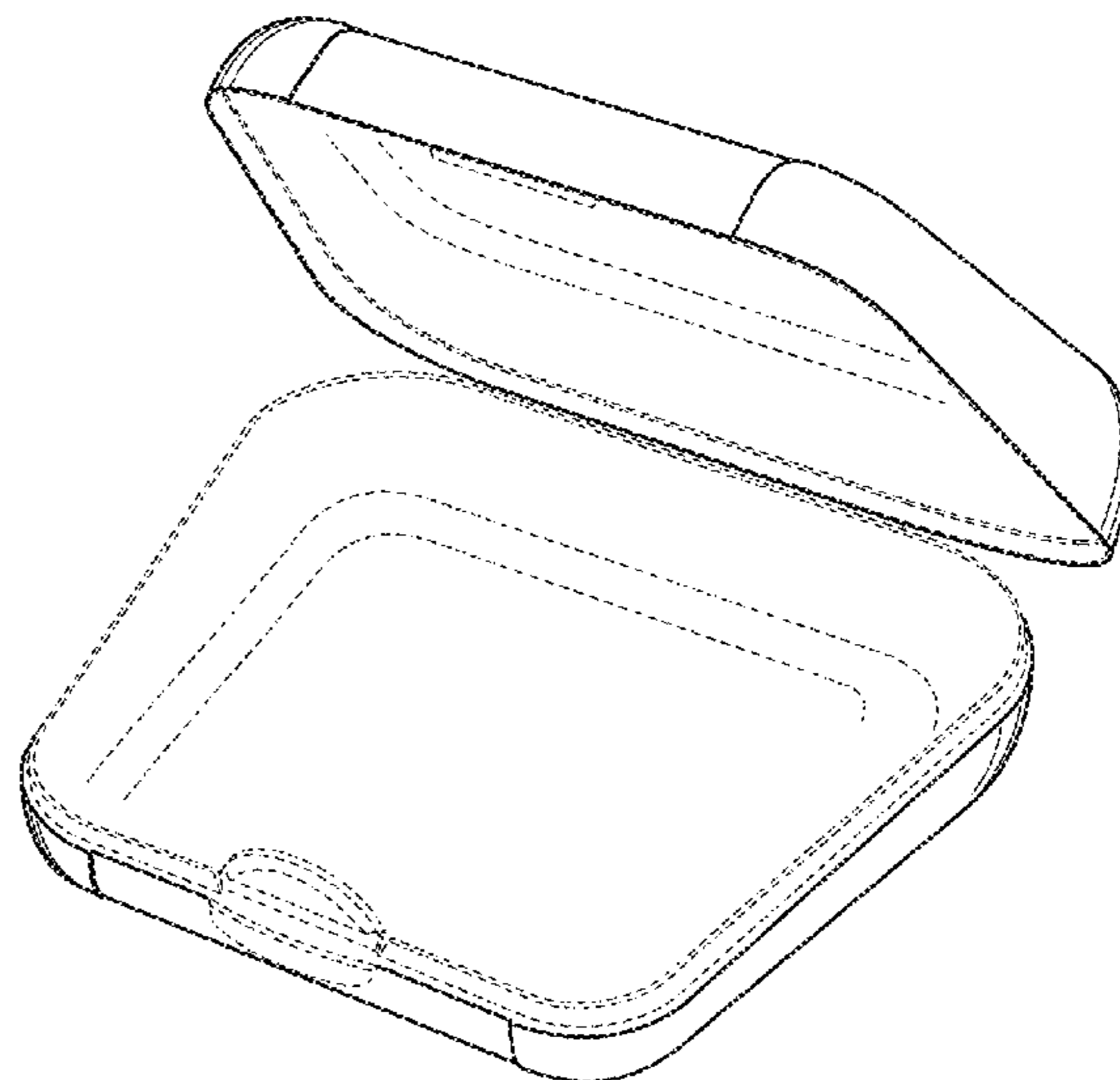
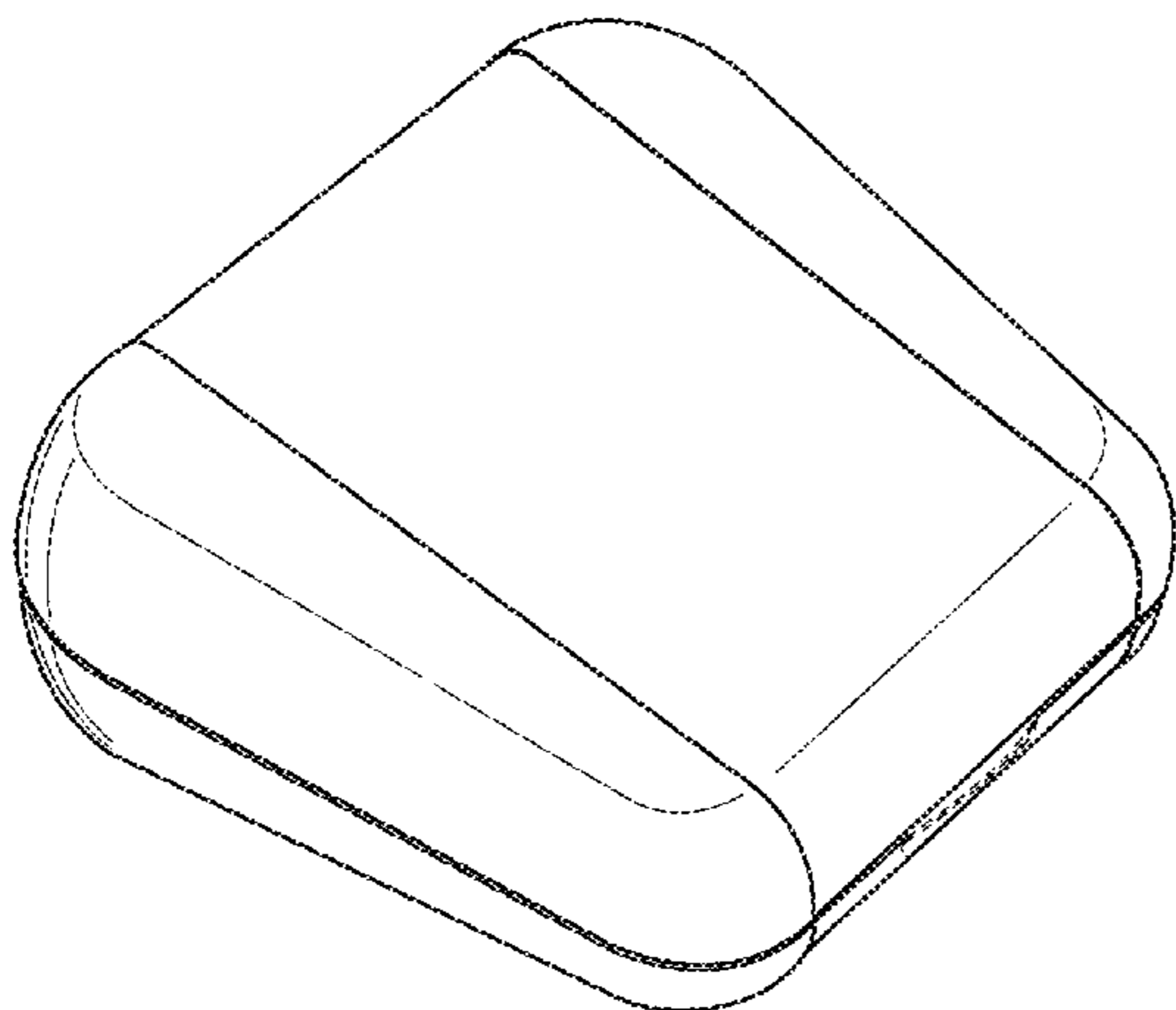
(57) **CLAIM**

The ornamental design for a container, as shown and described.

DESCRIPTION

FIG. 1 is a front, top perspective view of a container of the present design;
 FIG. 2 is a front view thereof;
 FIG. 3 is an opposite side view thereof;
 FIG. 4 is a plan view thereof;
 FIG. 5 is an underneath plan view thereof;
 FIG. 6 is a rear view thereof;
 FIG. 7 is a front, top perspective view thereof from the opposite side in an open usage configuration;
 FIG. 8 is an enlarged cross section view thereof taken along line 8-8 of FIG. 5; and,
 FIG. 9 is an enlarged fragmentary view of circled detail "9" of FIG. 8.
 The broken line portion of the figure drawings is included to show unclaimed subject matter only and forms no part of the claimed design.

1 Claim, 4 Drawing Sheets



(56)

References Cited

U.S. PATENT DOCUMENTS

D516,801 S 3/2006 Jones, III et al.
D546,173 S * 7/2007 Au D9/420
D546,671 S 7/2007 Cronin et al.
D549,119 S * 8/2007 Becker D10/104.1

D569,103 S * 5/2008 Hoge et al. D3/294
D623,052 S 9/2010 Giraud et al.
D708,940 S * 7/2014 Juna et al. D9/420
D717,161 S * 11/2014 Liu D9/426
2009/0134209 A1* 5/2009 Tonaltzin 229/116.1

* cited by examiner

FIG. 1

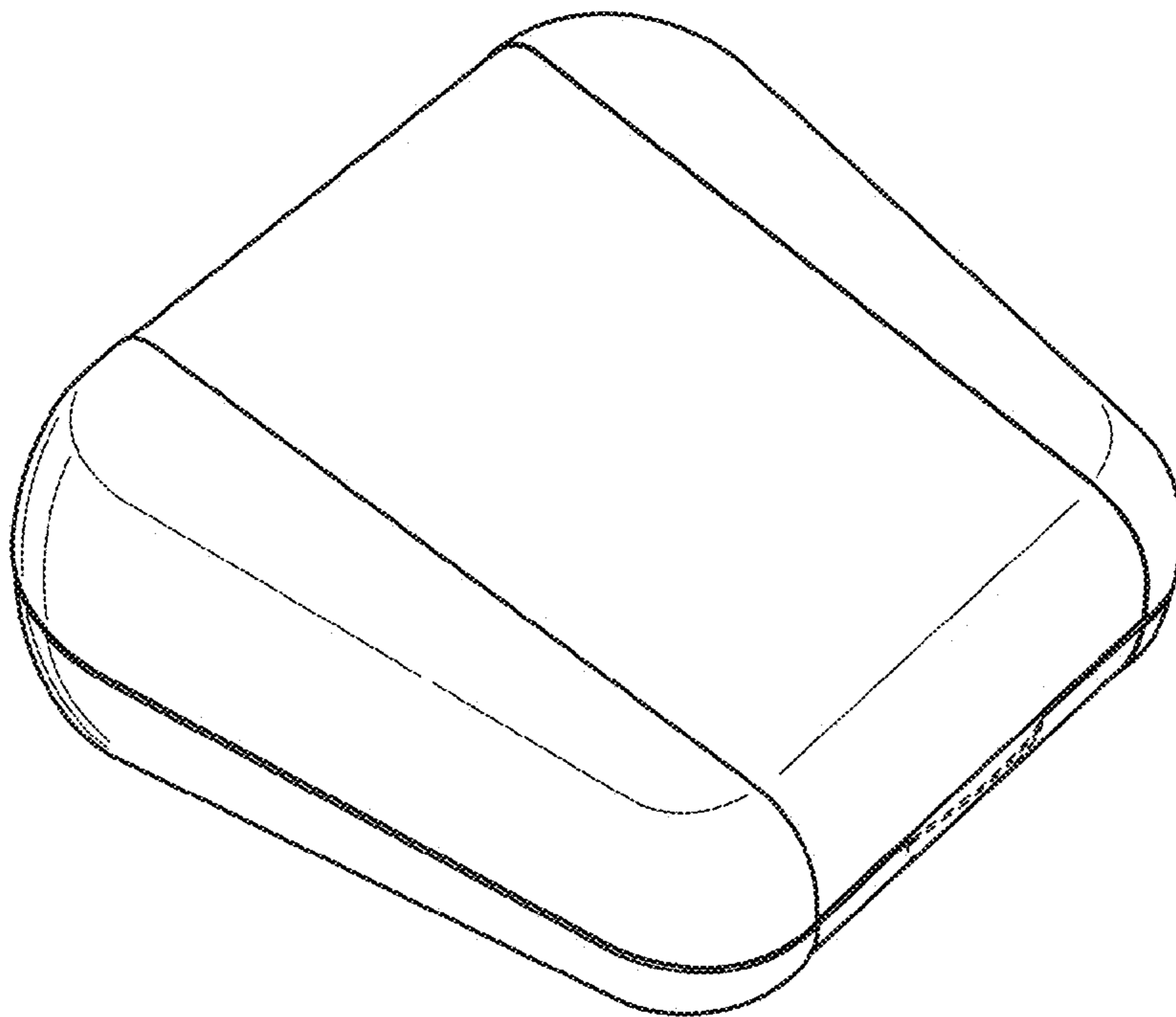


FIG. 2

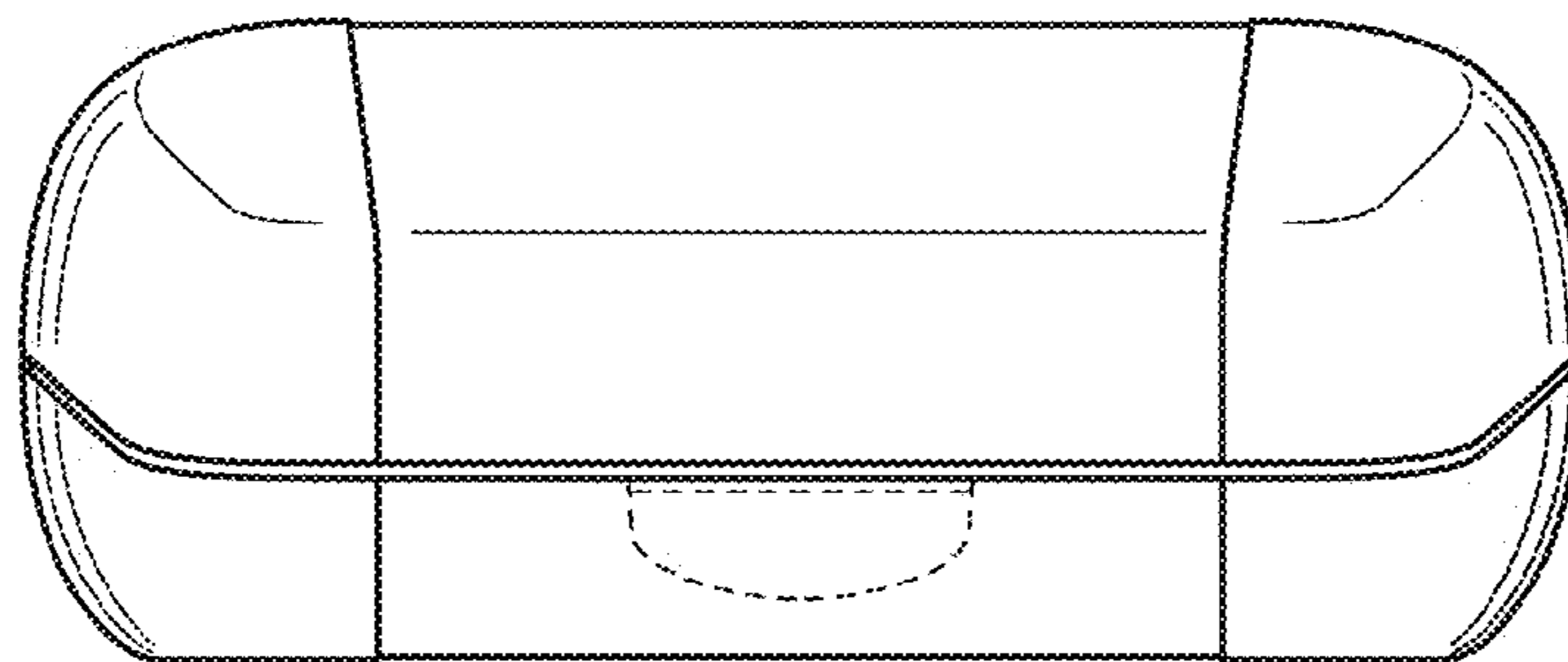


FIG. 3

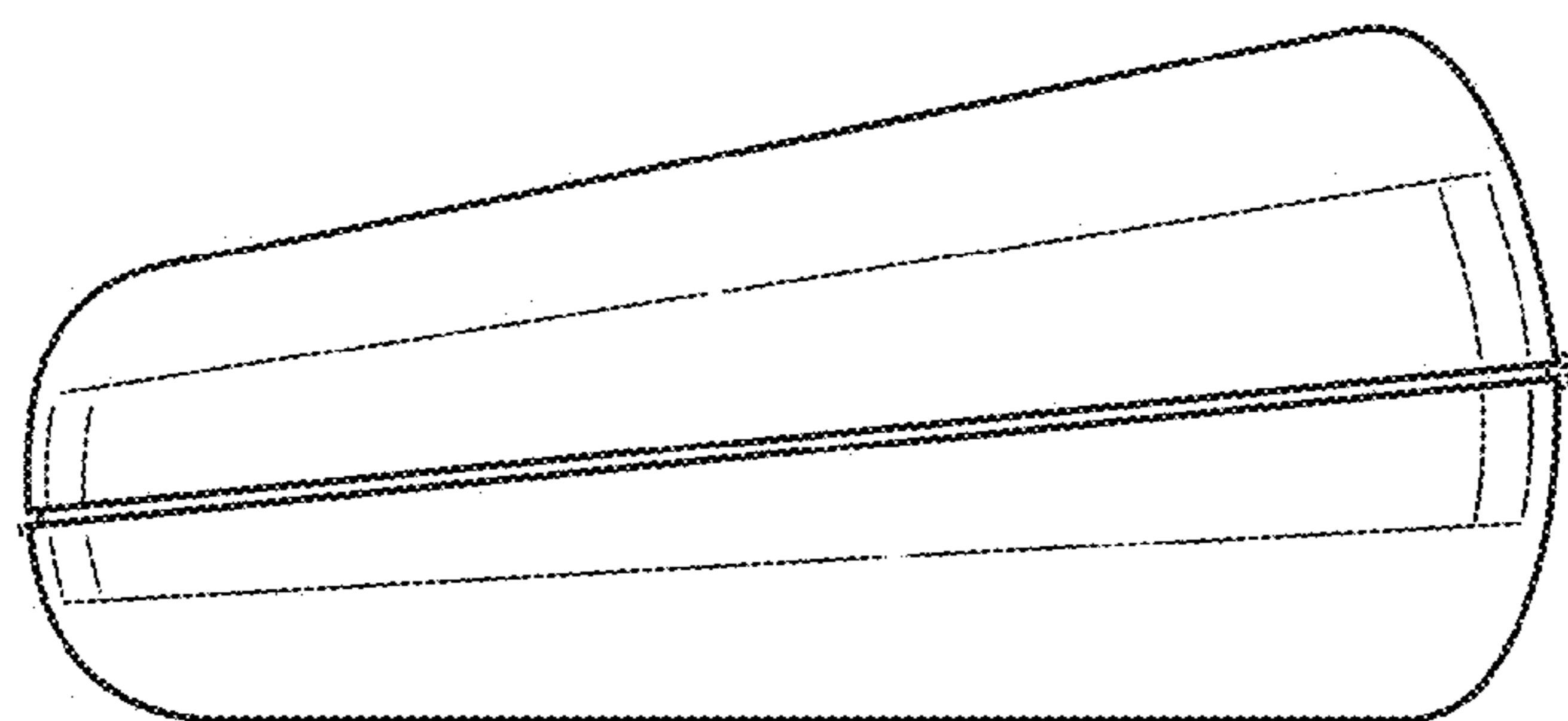


FIG. 4

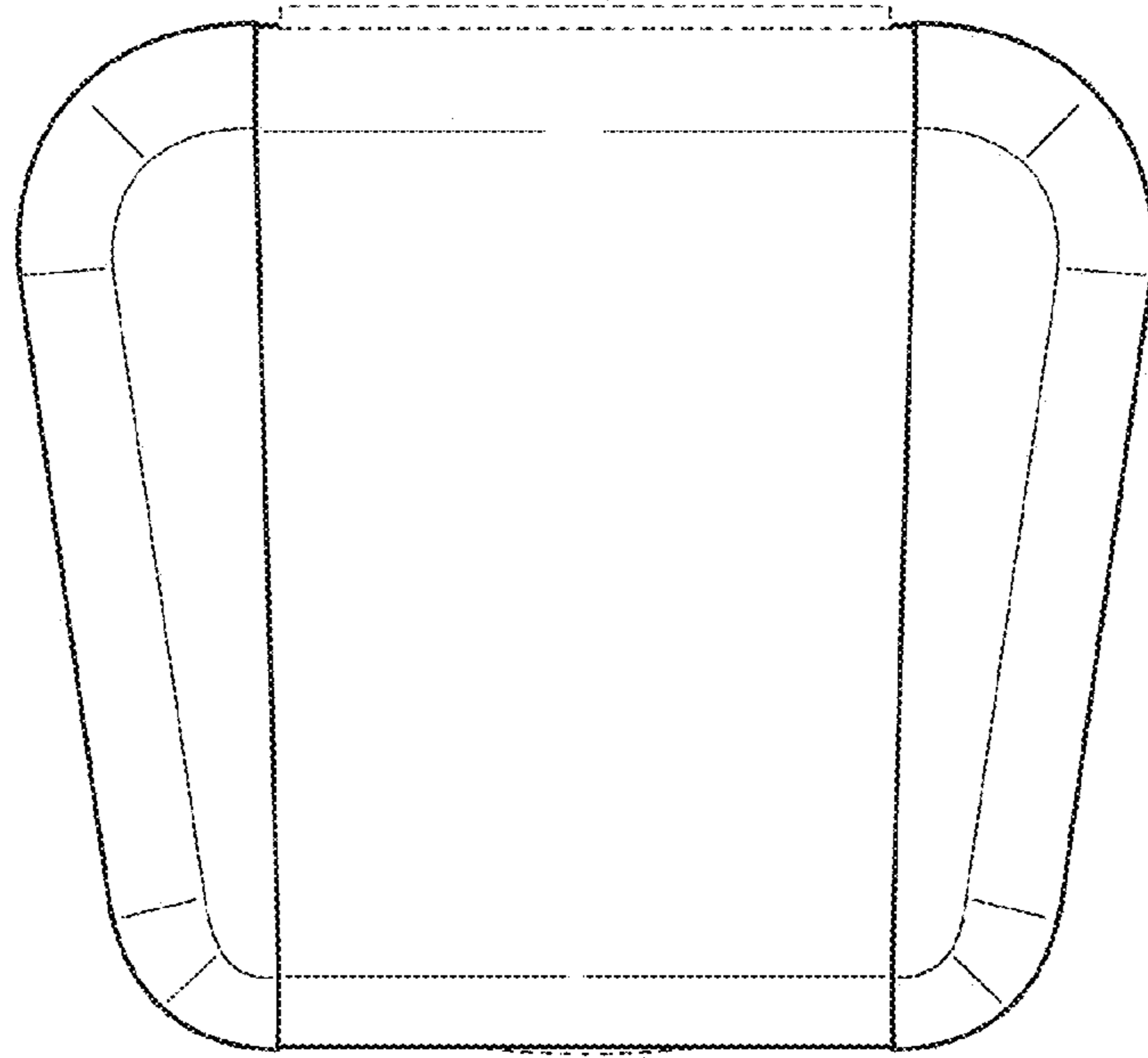


FIG. 5

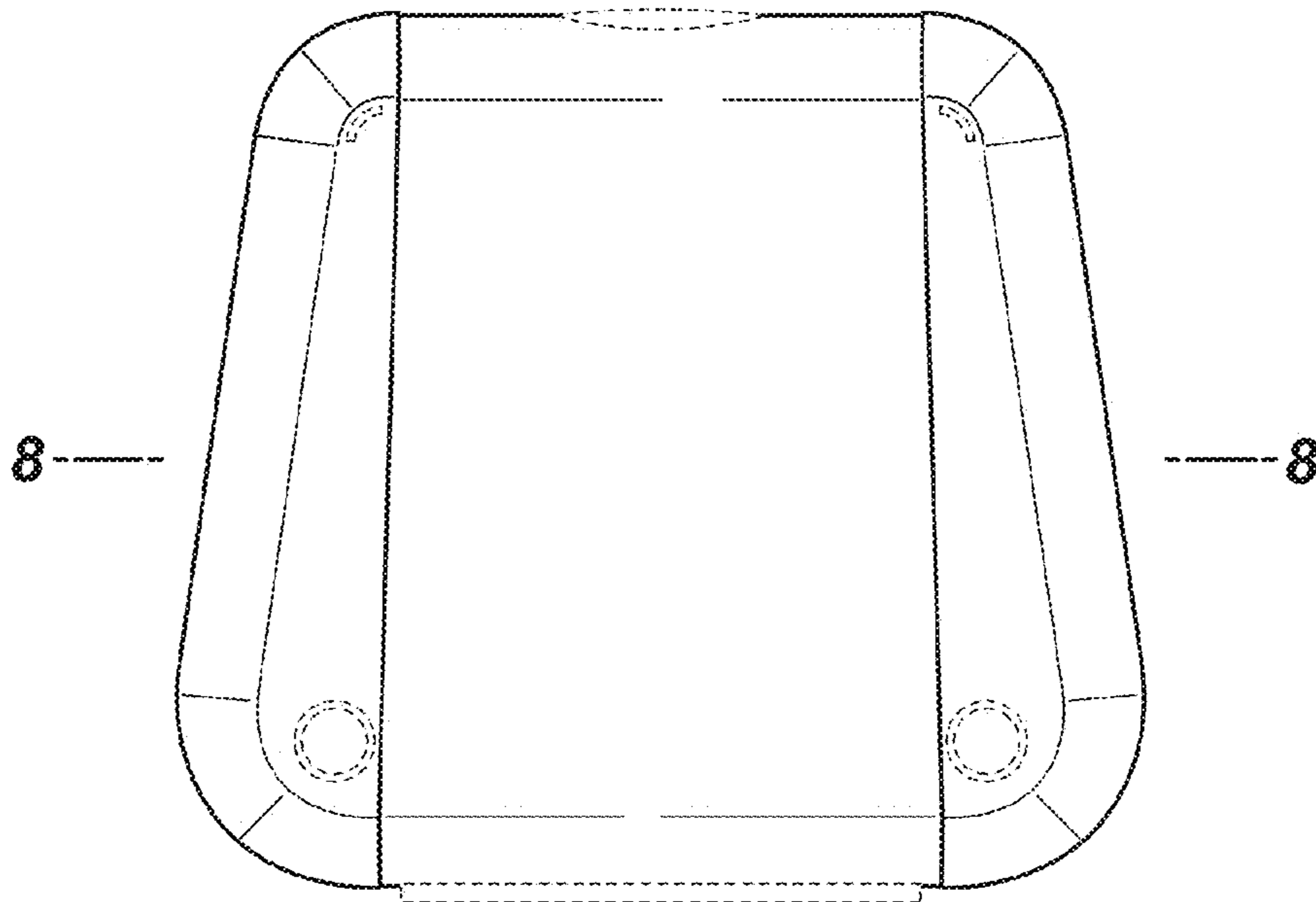


FIG. 6

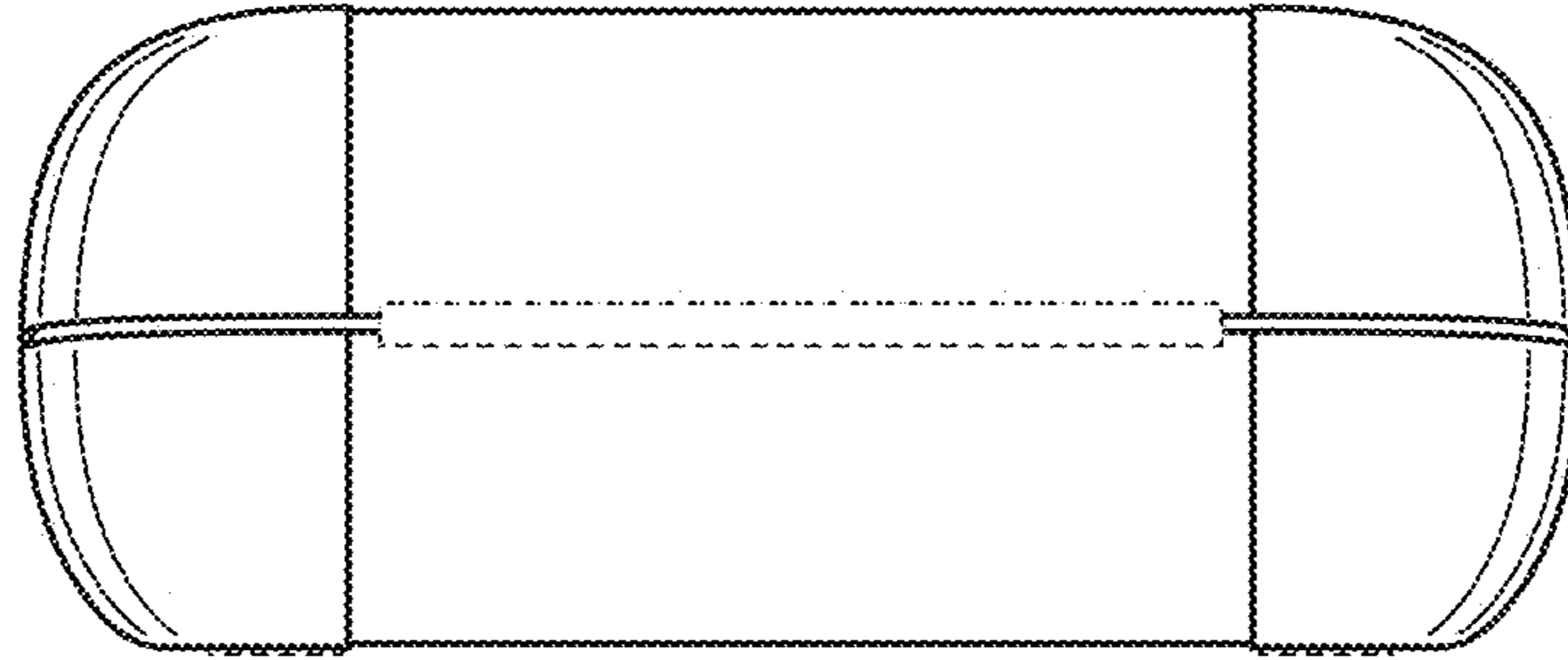


FIG. 7

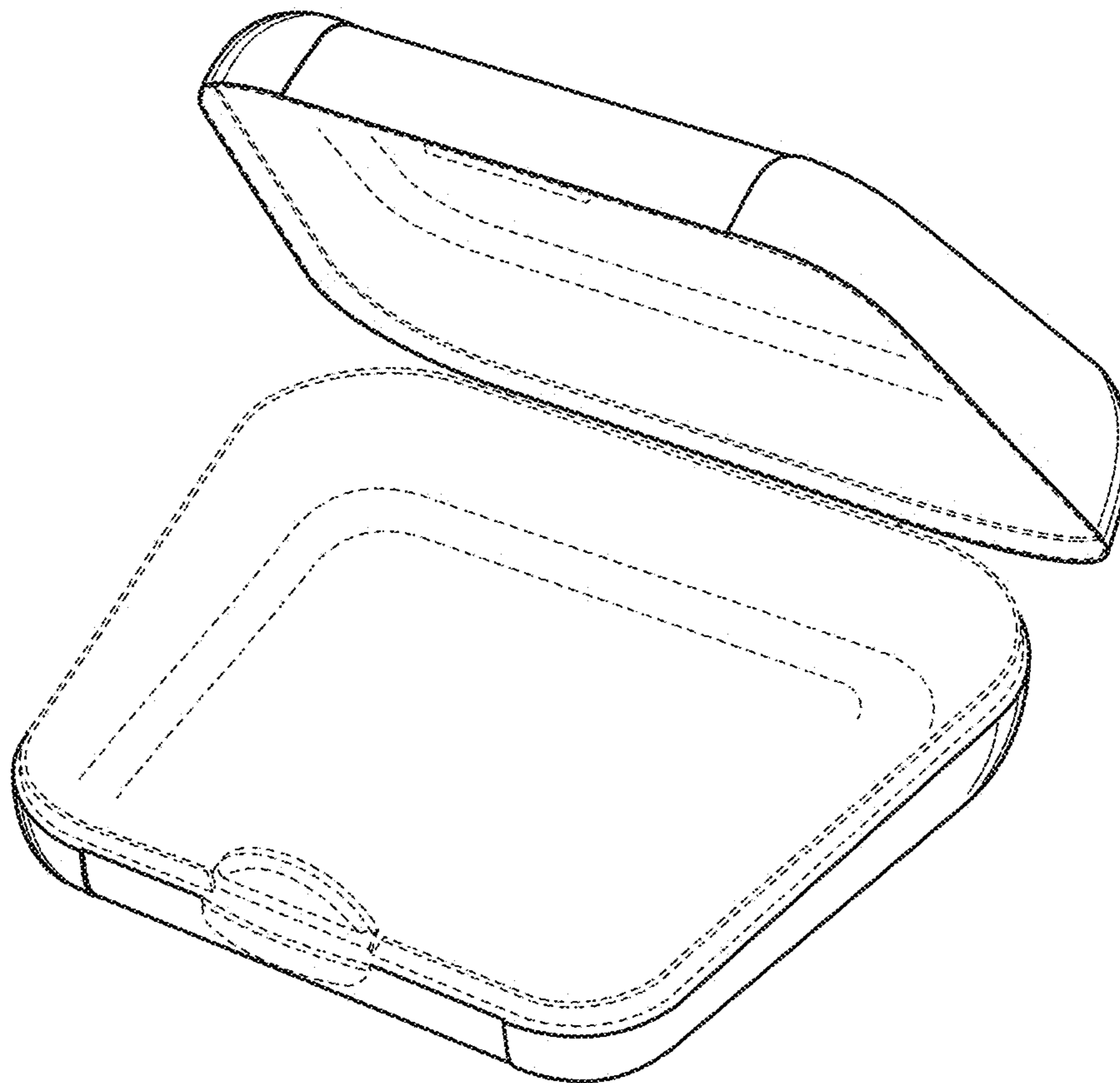


FIG. 8

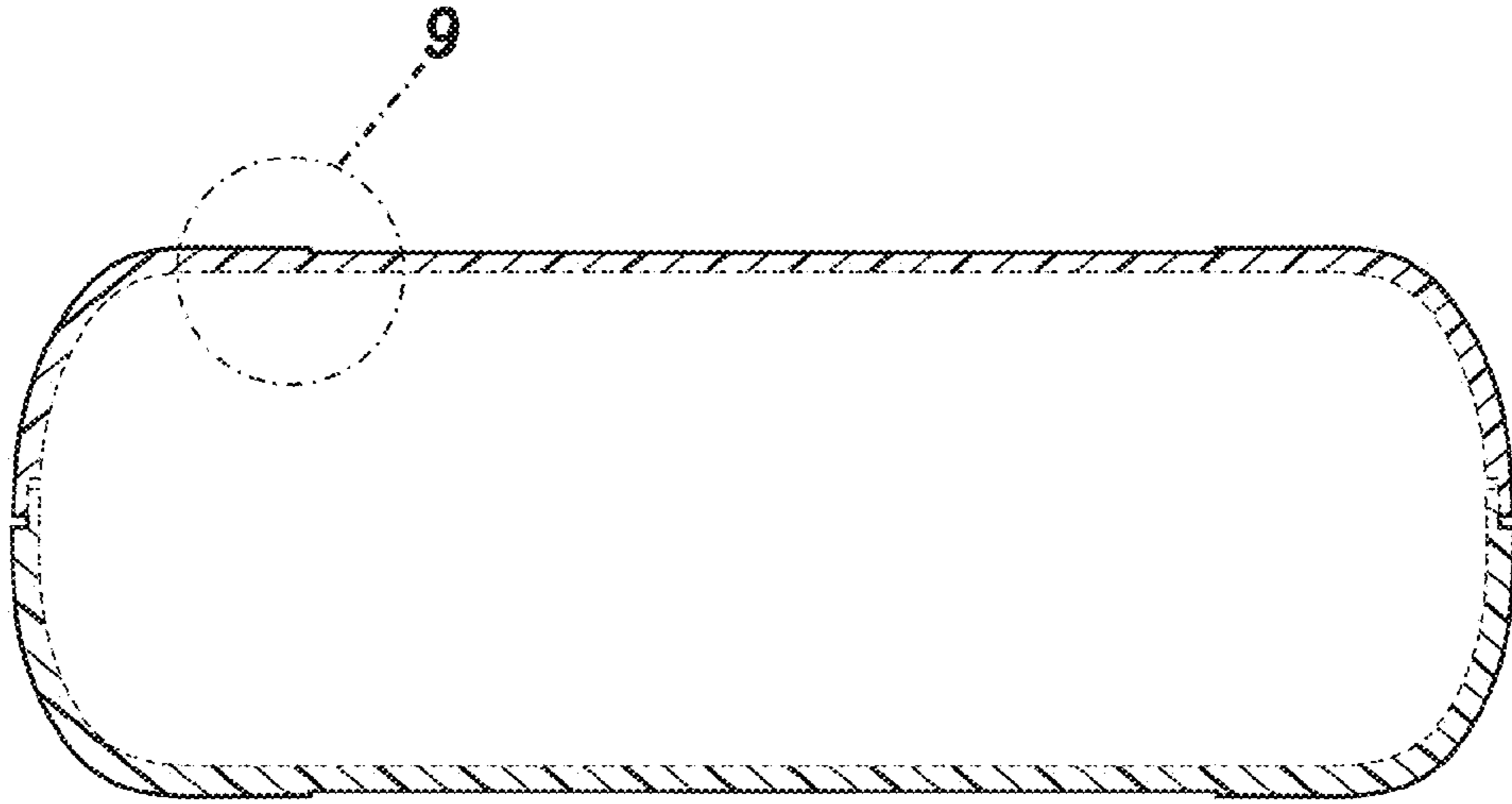


FIG. 9

