



US00D728359S

(12) **United States Design Patent**  
**Iwegbu**

(10) **Patent No.:** **US D728,359 S**  
(45) **Date of Patent:** **\*\* May 5, 2015**

(54) **CONTAINER**

(71) Applicant: **Natasha Iwegbu**, Washington, DC (US)

(72) Inventor: **Natasha Iwegbu**, Washington, DC (US)

(\*\*) Term: **14 Years**

(21) Appl. No.: **29/473,229**

(22) Filed: **Nov. 20, 2013**

(51) **LOC (10) Cl.** ..... **09-03**

(52) **U.S. Cl.**  
USPC ..... **D9/420**

(58) **Field of Classification Search**  
USPC ..... D9/414, 416, 420, 421, 425, 426, 430,  
D9/431, 452, 502, 782; D8/300, 301;  
D6/365; D21/670, 671; D3/200, 201,  
D3/203.1, 211; 229/105, 108, 111, 114  
See application file for complete search history.

(56) **References Cited**

**U.S. PATENT DOCUMENTS**

3,137,435	A	*	6/1964	Meyers	.....	229/113
D303,500	S	*	9/1989	Colla	.....	D9/414
D306,402	S	*	3/1990	Colla	.....	D9/414
D350,692	S	*	9/1994	Seki	.....	D9/636
D383,977	S	*	9/1997	Allinsmith et al.	.....	D9/433
D491,801	S	*	6/2004	Chapman	.....	D9/414
D527,625	S	*	9/2006	Beutler	.....	D9/414
7,216,797	B2	*	5/2007	Lebras	.....	229/114
D628,059	S	*	11/2010	Perkins-Stanaford et al.	.....	D9/418
D682,085	S	*	5/2013	Hannant et al.	.....	D9/416

D697,790	S	*	1/2014	Iwegbu	.....	D9/420
8,672,215	B2	*	3/2014	Learn	.....	229/114
D715,640	S	*	10/2014	Okezawa	.....	D9/430

\* cited by examiner

*Primary Examiner* — Robert M Spear

*Assistant Examiner* — Keith Frank

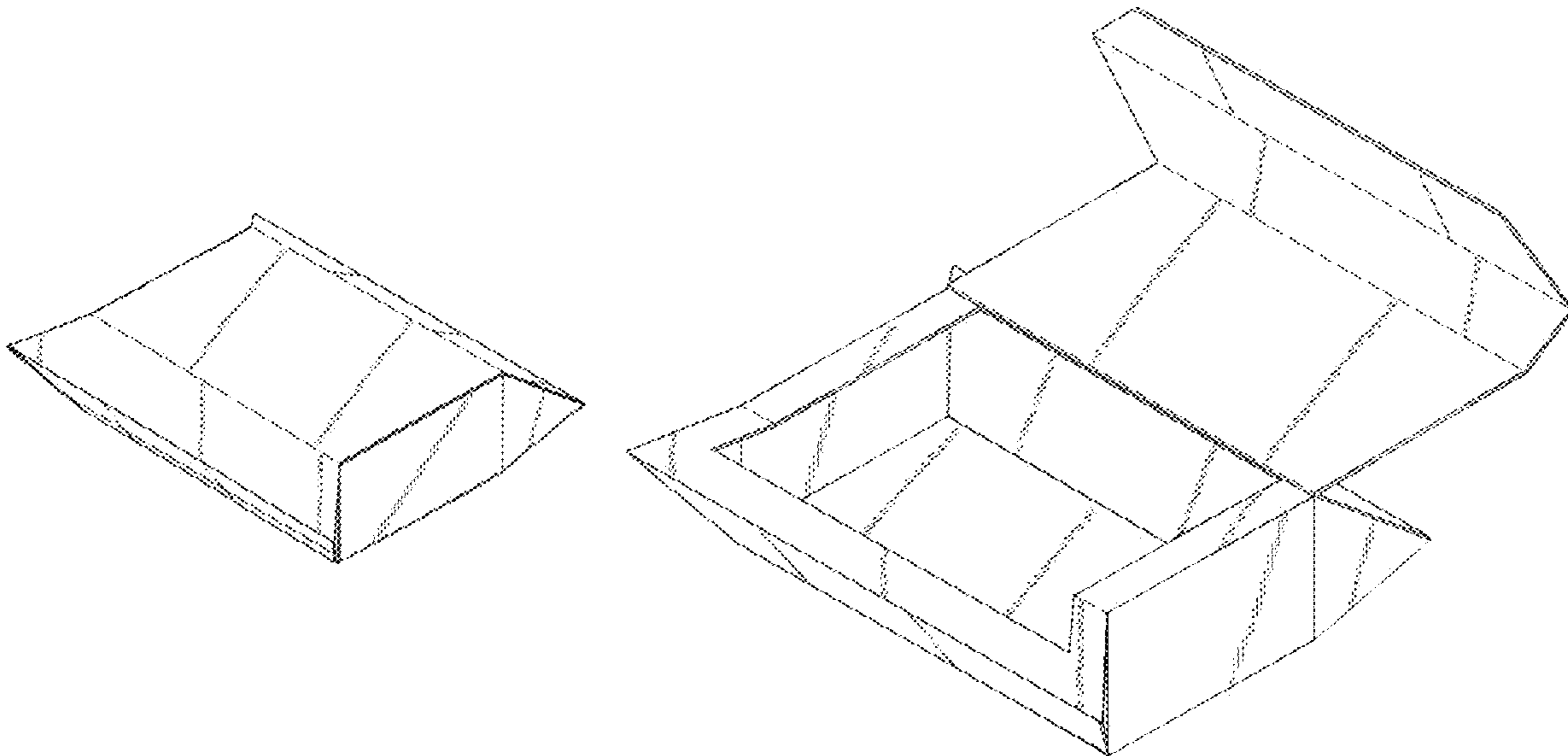
(57) **CLAIM**

The ornamental design for a container, as shown and described.

**DESCRIPTION**

FIG. 1 is an upper perspective view of a container, showing my design;  
 FIG. 2 is a lower perspective view thereof;  
 FIG. 3 is a front view thereof;  
 FIG. 4 is a rear view thereof;  
 FIG. 5 is a right side view thereof, the left side view being a mirror image of the right side view;  
 FIG. 6 is a top view thereof;  
 FIG. 7 is a bottom view thereof;  
 FIG. 8 is an upper perspective view of the container in an open configuration;  
 FIG. 9 is a front view thereof;  
 FIG. 10 is a rear view thereof;  
 FIG. 11 is a right side view thereof, the left side view being a mirror image of the right side view;  
 FIG. 12 is a top view thereof; and,  
 FIG. 13 is a bottom view thereof.

**1 Claim, 13 Drawing Sheets**



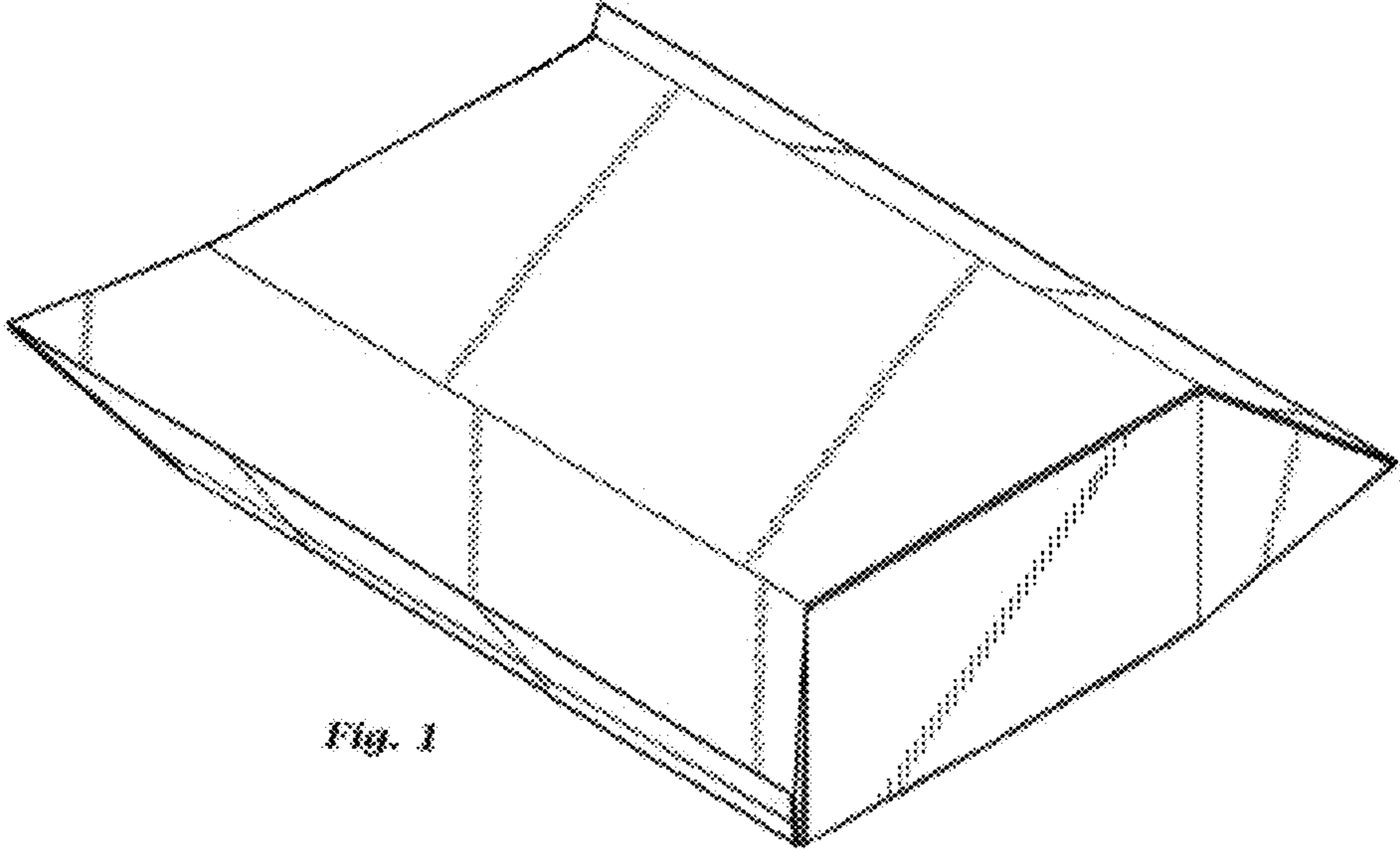
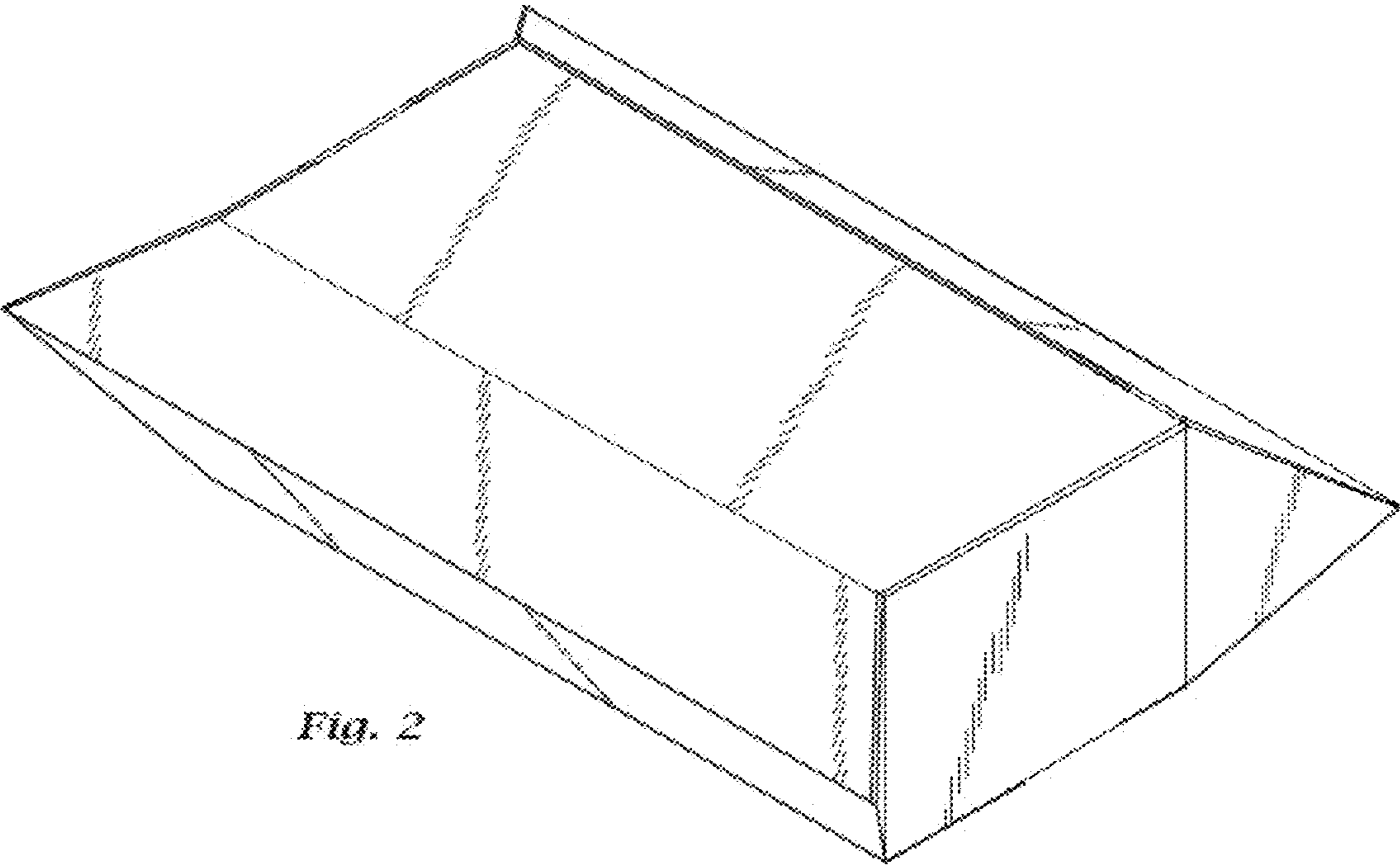
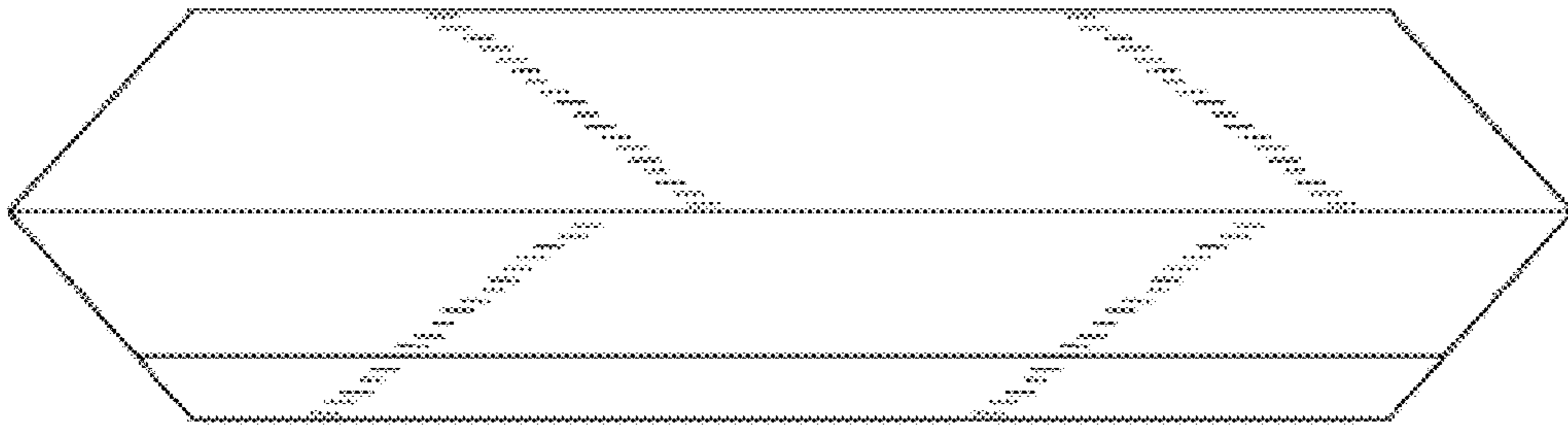


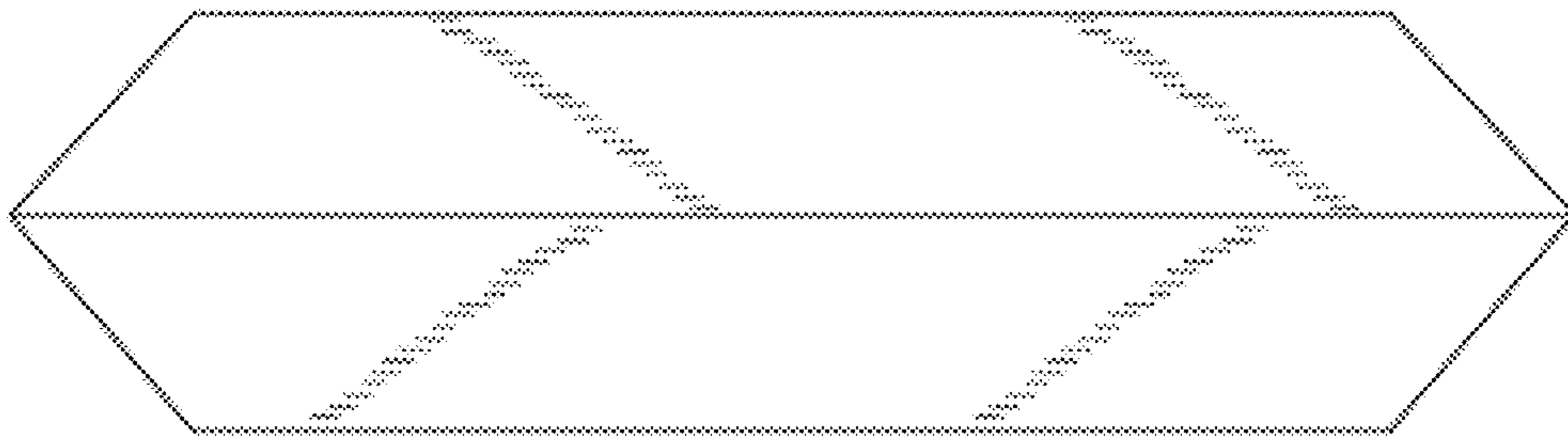
Fig. 1



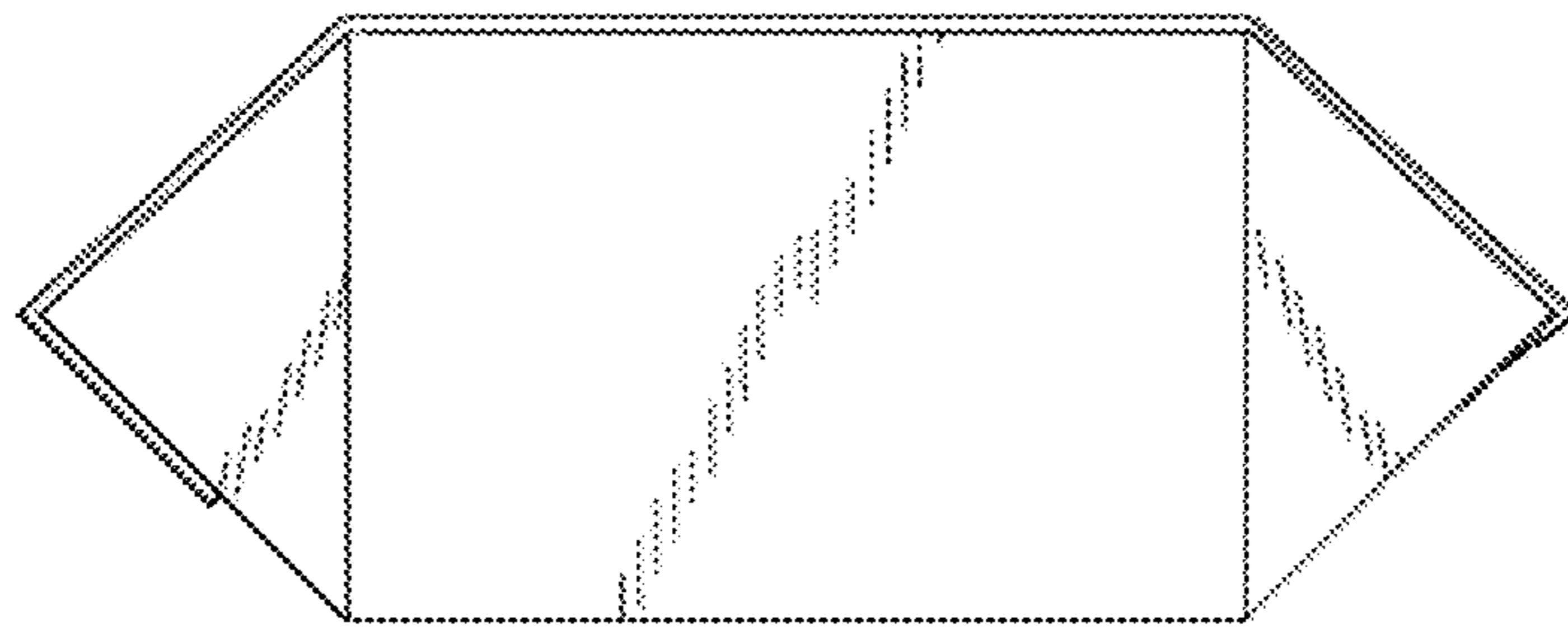
*Fig. 2*



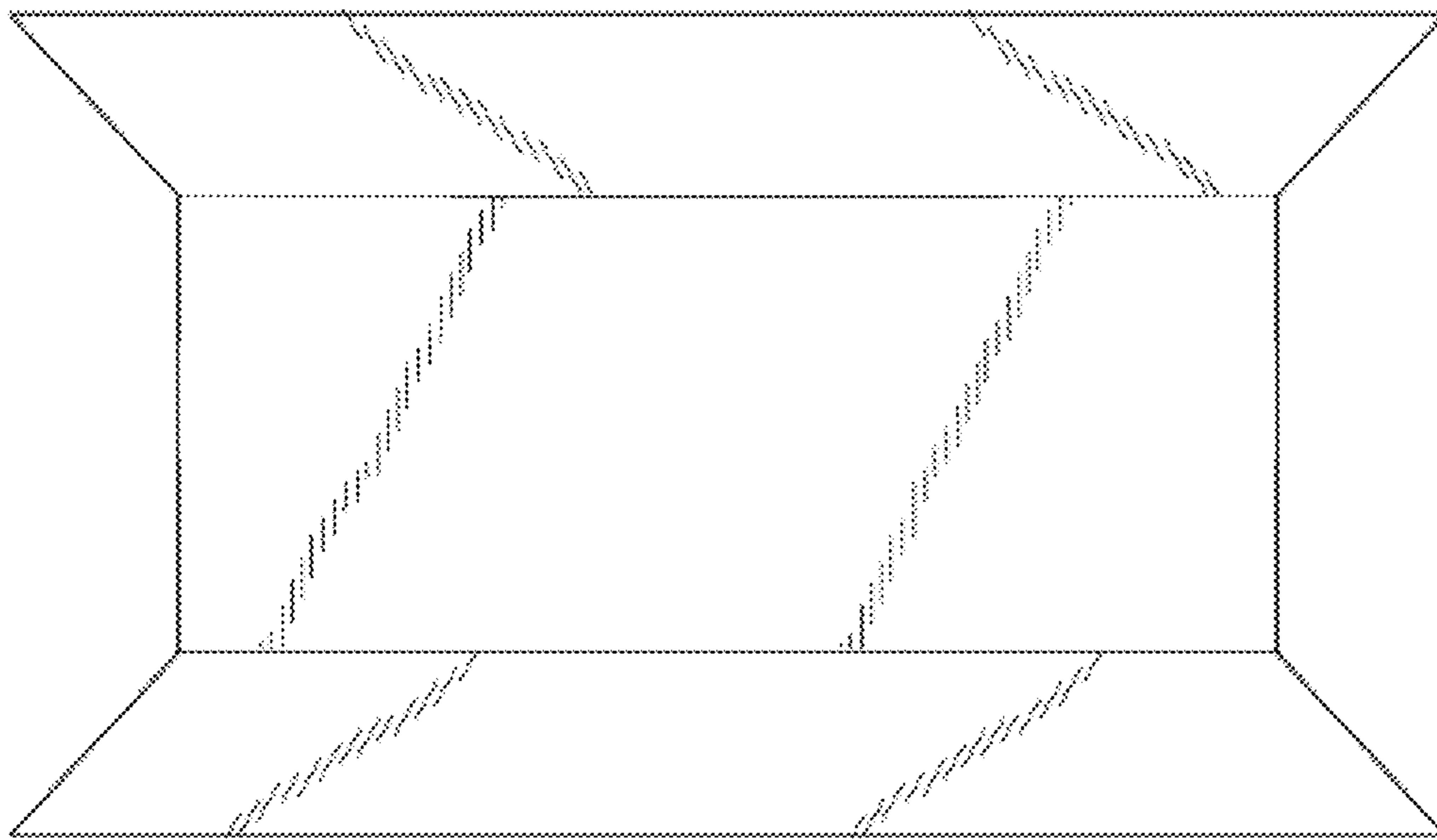
*Fig. 3*



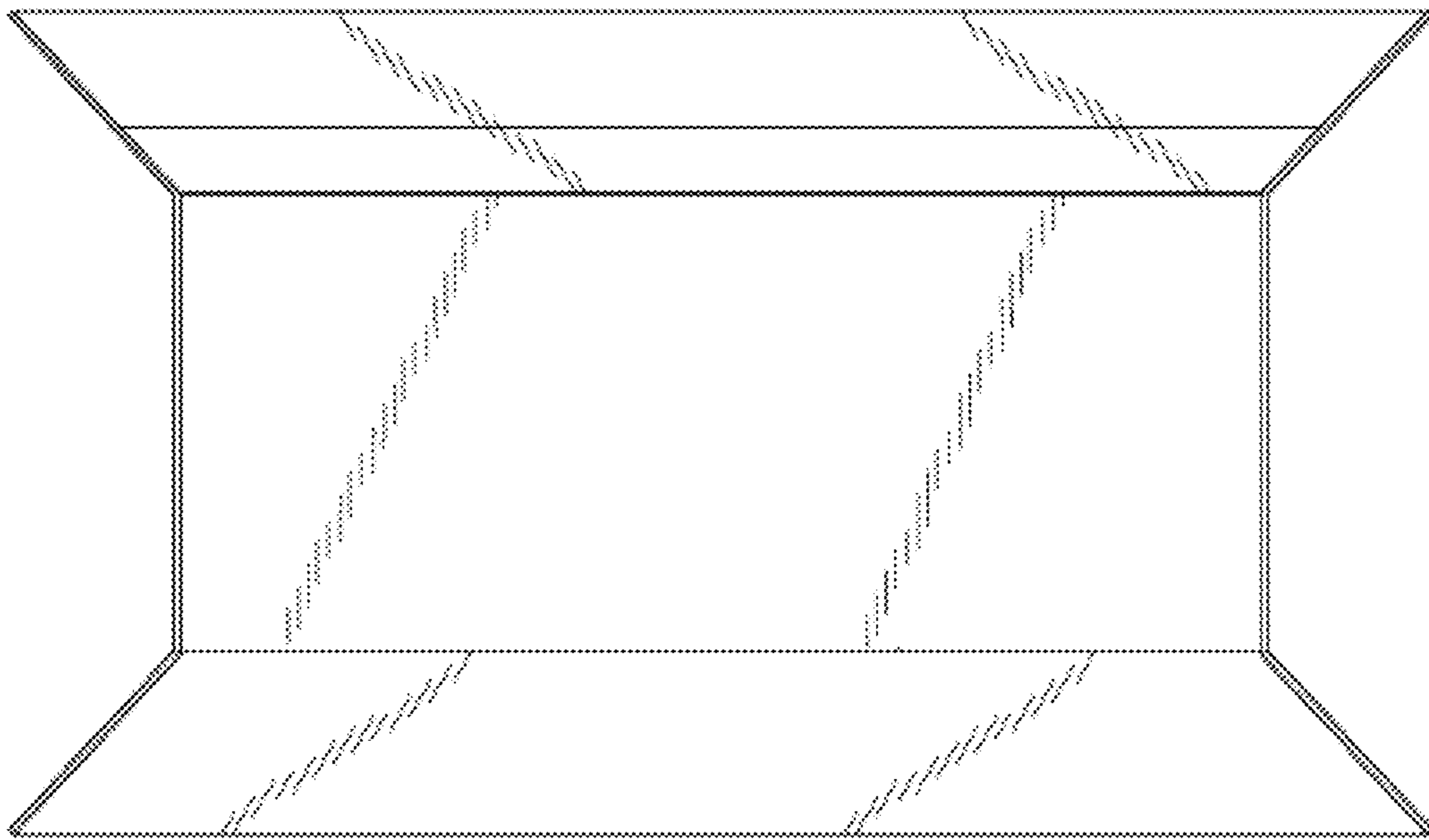
*Fig. 4*



*Fig. 5*



*Fig. 6*



*Fig. 7*



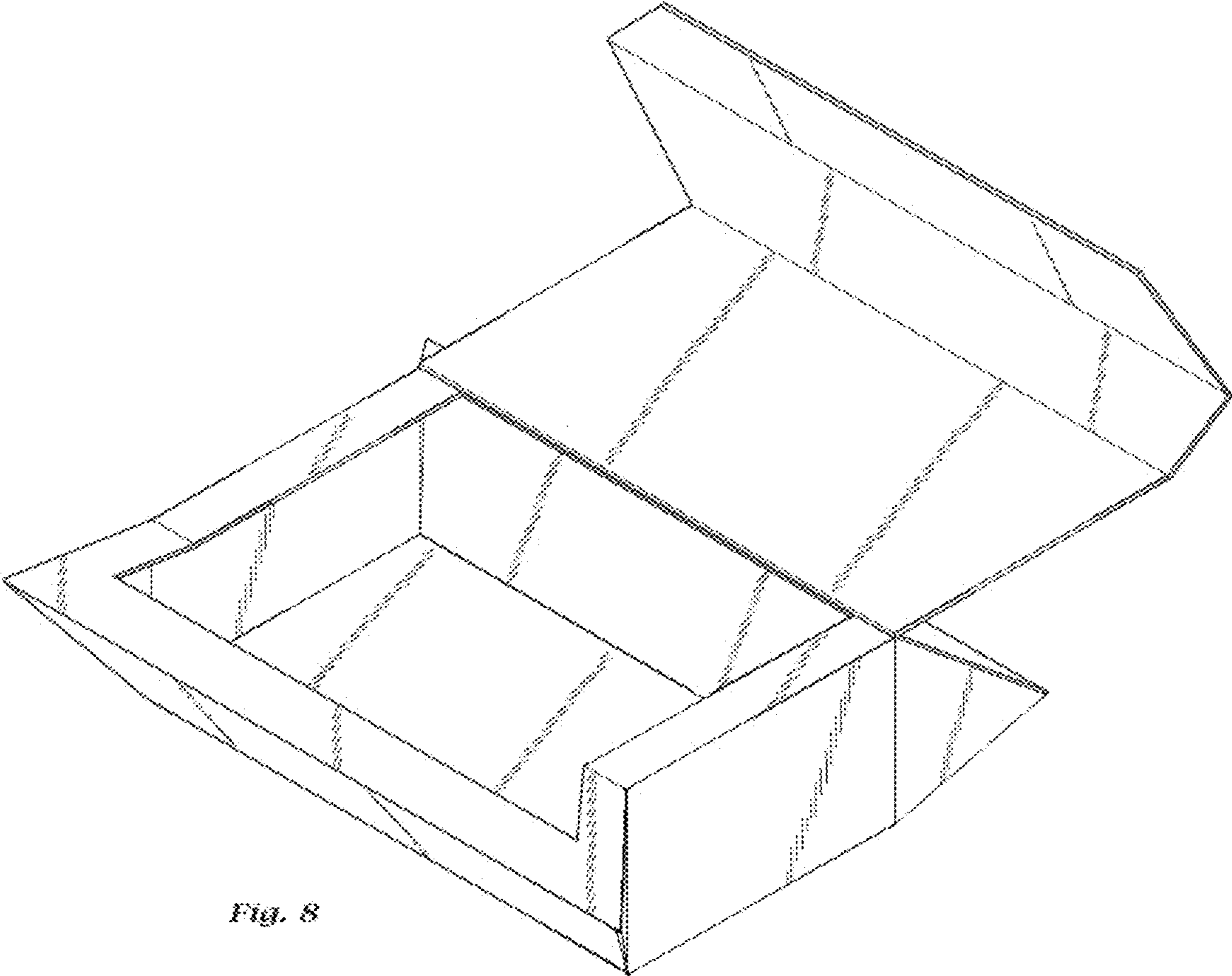
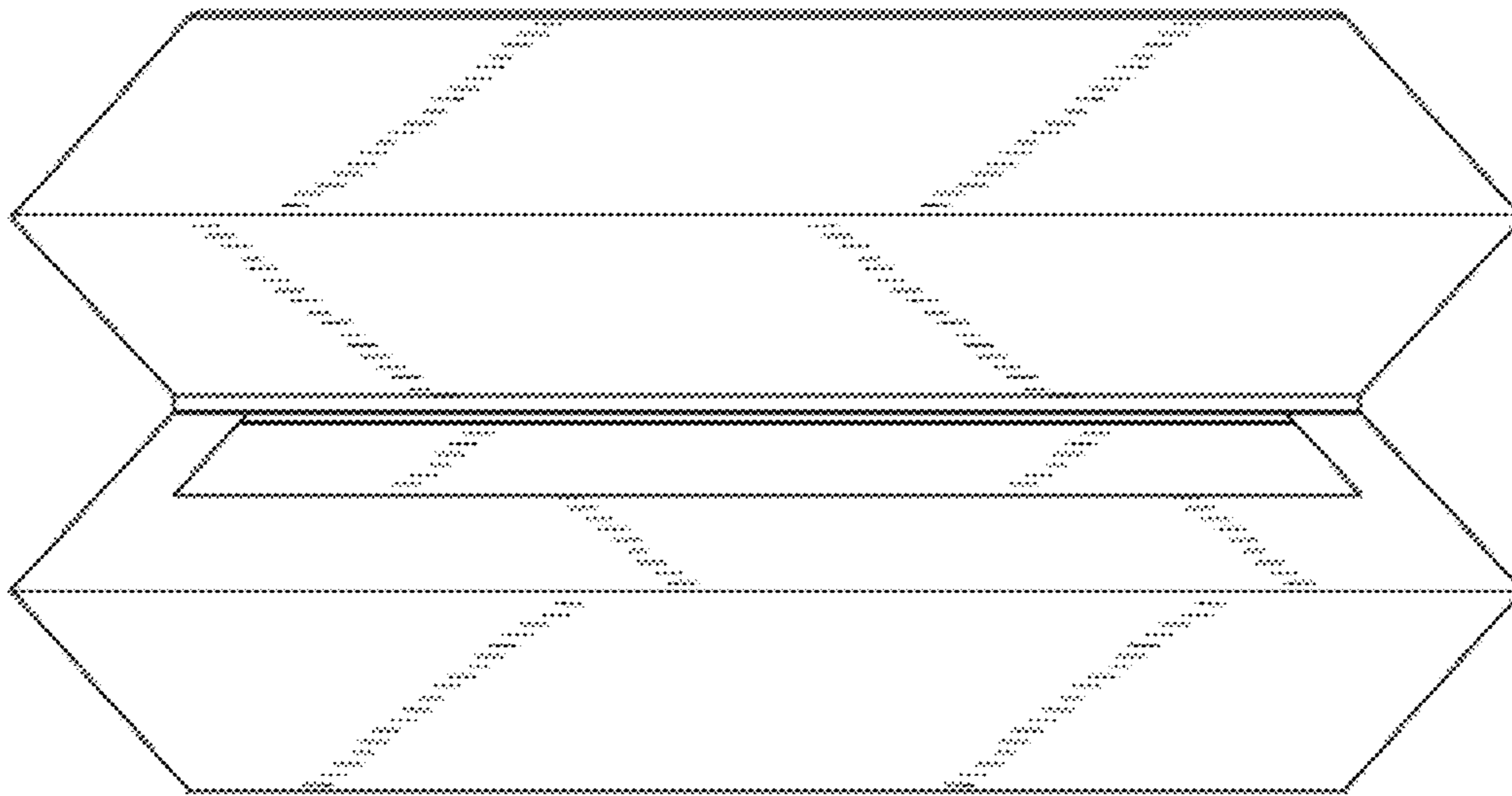


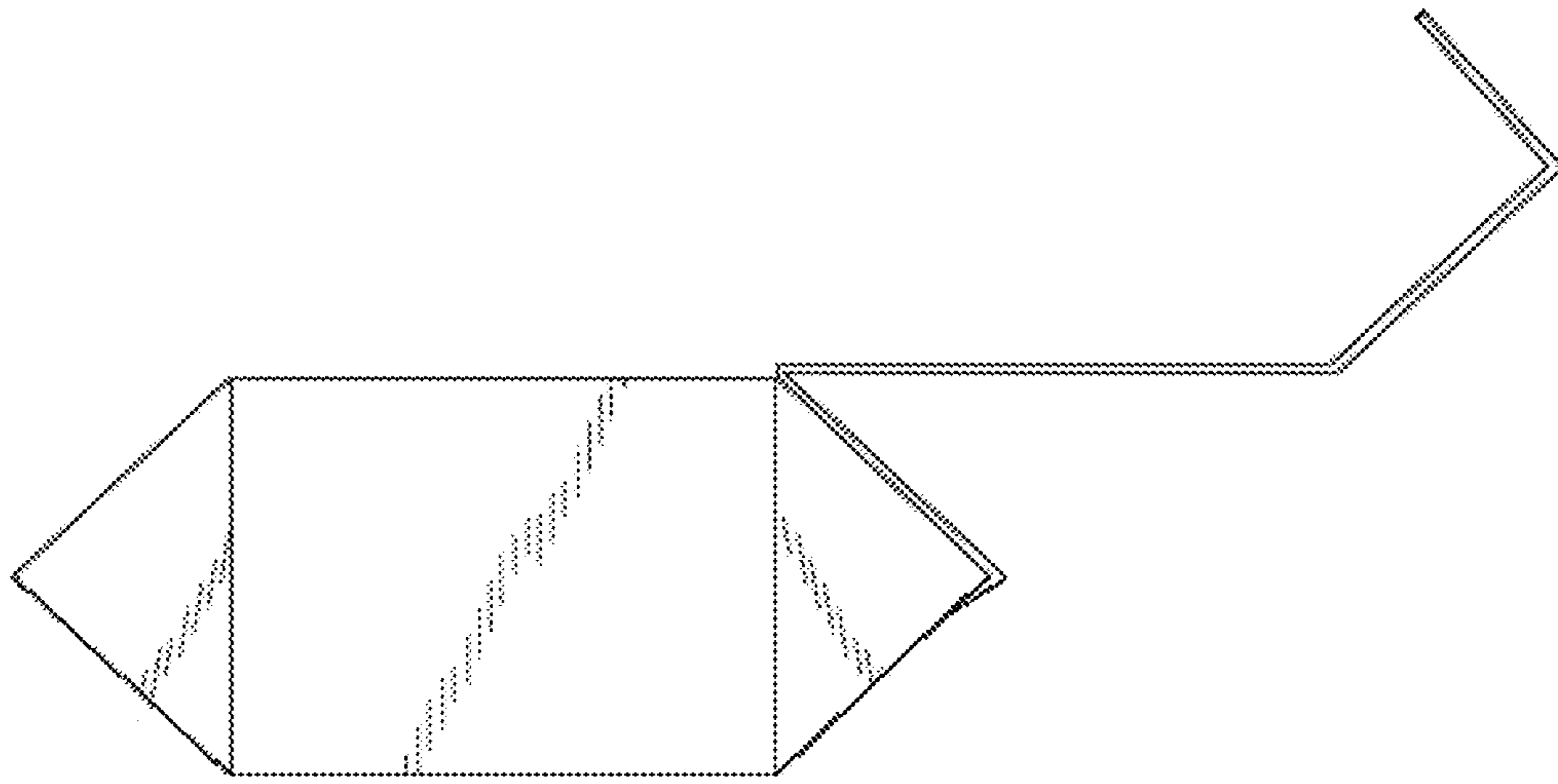
Fig. 8



*Fig. 9*



*Fig. 10*



*Fig. 11*

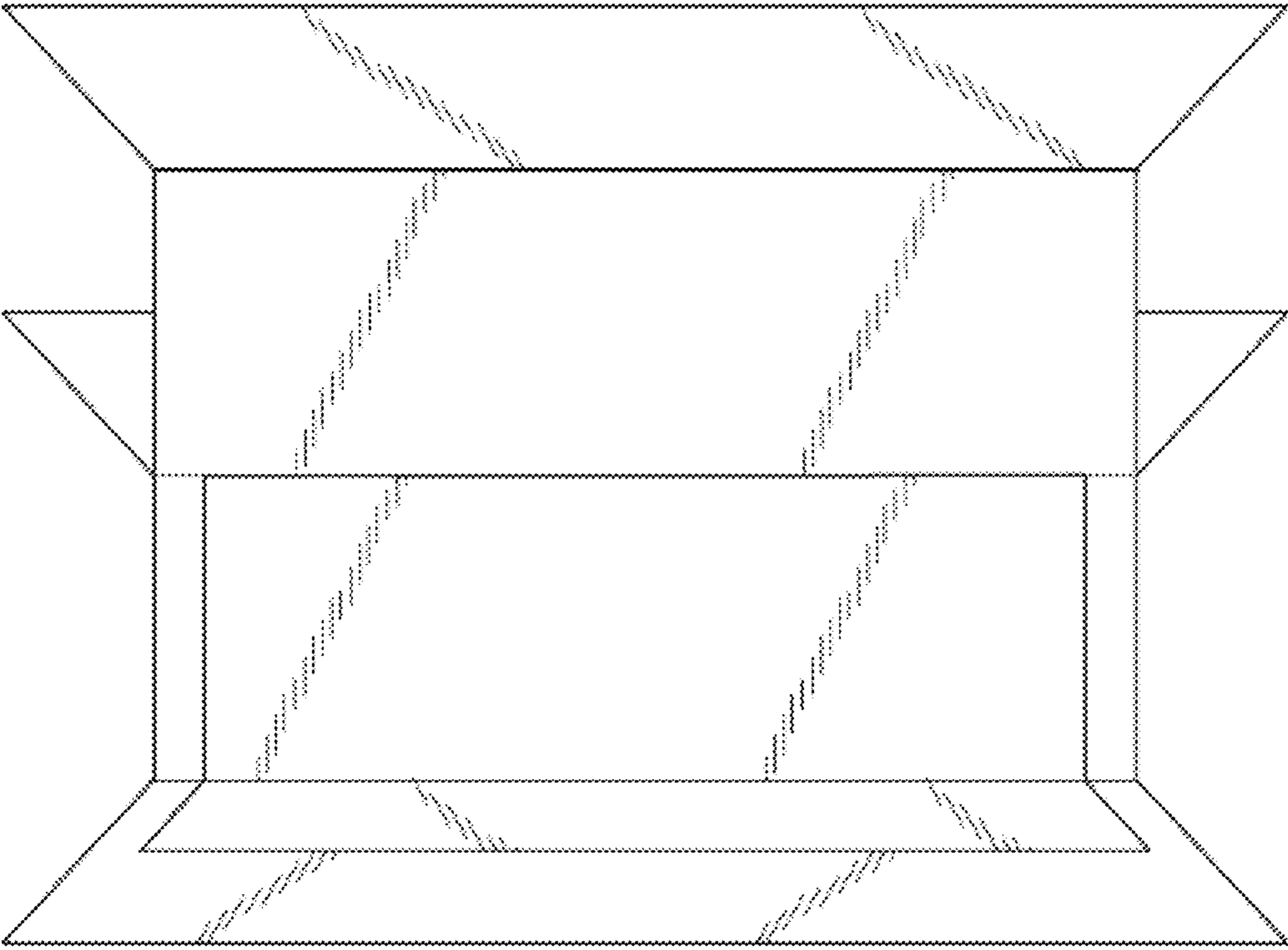
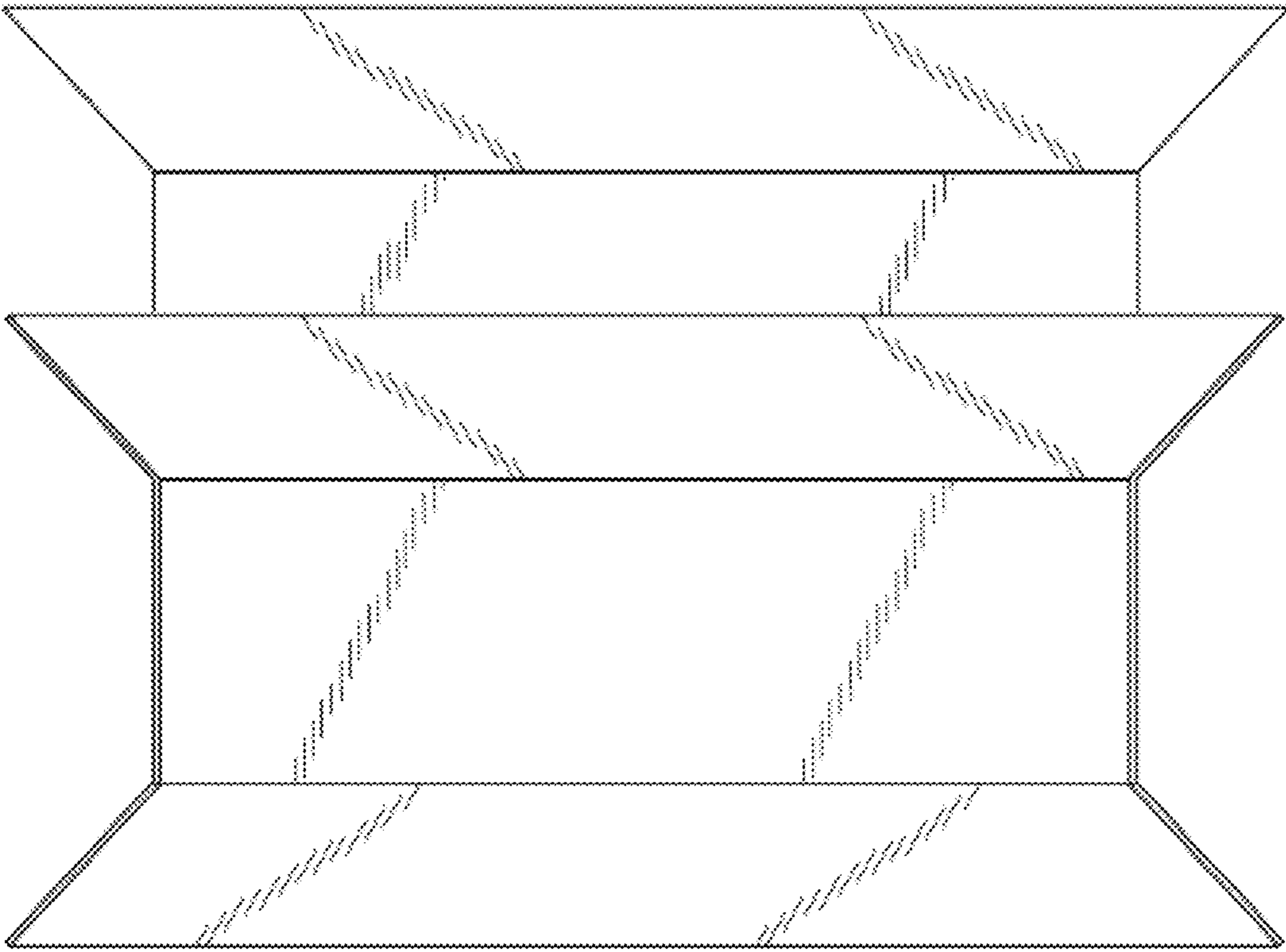


Fig. 12



*Fig. 13*