



US00D728358S

(12) **United States Design Patent**
Belamich

(10) **Patent No.:** **US D728,358 S**

(45) **Date of Patent:** **** May 5, 2015**

(54) **BOX FOR WATCHES**

(71) Applicant: **Bell & Ross B.V.**, Zoertermeer (NL)

(72) Inventor: **Bruno Belamich**, Paris (FR)

(73) Assignee: **Bell & Ross B.V.**, Zoertermeer (NL)

(**) Term: **14 Years**

(21) Appl. No.: **29/458,925**

(22) Filed: **Jun. 24, 2013**

(30) **Foreign Application Priority Data**

Apr. 19, 2013 (EM) 001368500

(51) **LOC (10) Cl.** **09-03**

(52) **U.S. Cl.**
USPC **D9/420**

(58) **Field of Classification Search**
USPC D9/414, 415, 418, 420, 422, 425, 432,
D9/433, 455; D3/284, 294, 295; 206/545,
206/546, 569, 570, 703
See application file for complete search history.

(56) **References Cited**

U.S. PATENT DOCUMENTS

3,915,304	A *	10/1975	Pasco et al.	206/545
4,106,597	A *	8/1978	Shook et al.	190/110
4,763,791	A *	8/1988	Halverson et al.	206/570
D305,247	S *	12/1989	Ukisu	D3/271.1
D337,886	S *	8/1993	Feinbloom	D3/295
D383,605	S *	9/1997	Usuriello	D3/284
6,036,019	A *	3/2000	Silverman	206/545

D623,512	S *	9/2010	Stewart	D9/423
D701,456	S *	3/2014	Farley et al.	D9/420
8,858,063	B1 *	10/2014	Agren	366/134
2005/0082180	A1 *	4/2005	Smouha	206/301
2007/0023302	A1 *	2/2007	Au	206/301
2007/0151878	A1 *	7/2007	Au	206/301

OTHER PUBLICATIONS

NPL search [online] [date searched Oct. 28, 2014] Internet
<URL:http://www.ablogwatch.com/bell-ross-br-01-aviation-instru-
ments-watches-for-2013/.*

* cited by examiner

Primary Examiner — Thomas Johannes

Assistant Examiner — Keith Frank

(74) *Attorney, Agent, or Firm* — Volpe and Koenig, P.C.

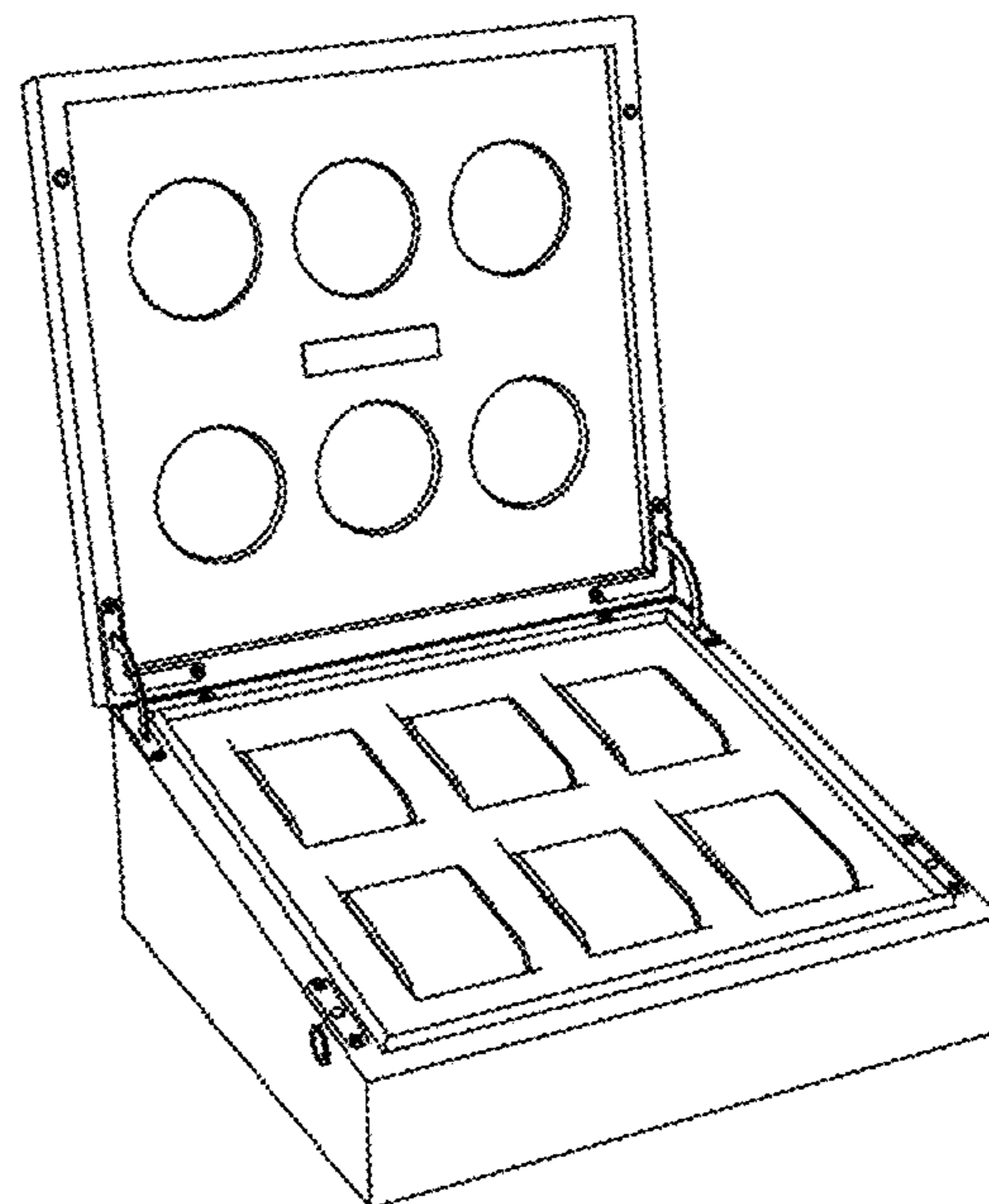
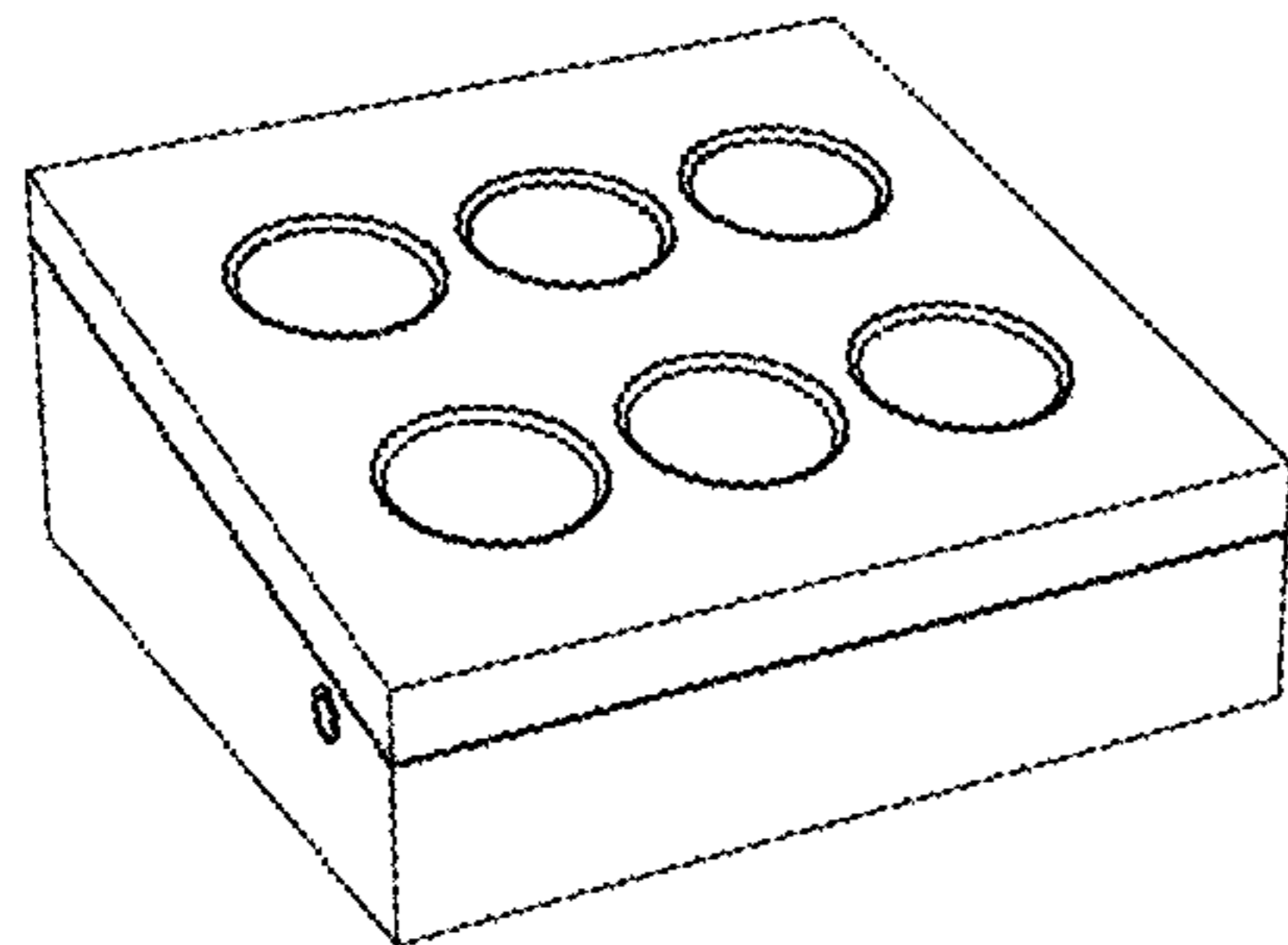
(57) **CLAIM**

The ornamental design for box for watches, as shown and described.

DESCRIPTION

FIG. 1 is a left side elevation view of the box for watches according to my design;
FIG. 2 is a right side elevation view thereof;
FIG. 3 is a top plan view thereof;
FIG. 4 is a top perspective view thereof;
FIG. 5 is a left side elevation view thereof, in an opened configuration;
FIG. 6 is a right side elevation view thereof, in an opened configuration; and,
FIG. 7 is top perspective view thereof, in an open configuration.

1 Claim, 5 Drawing Sheets



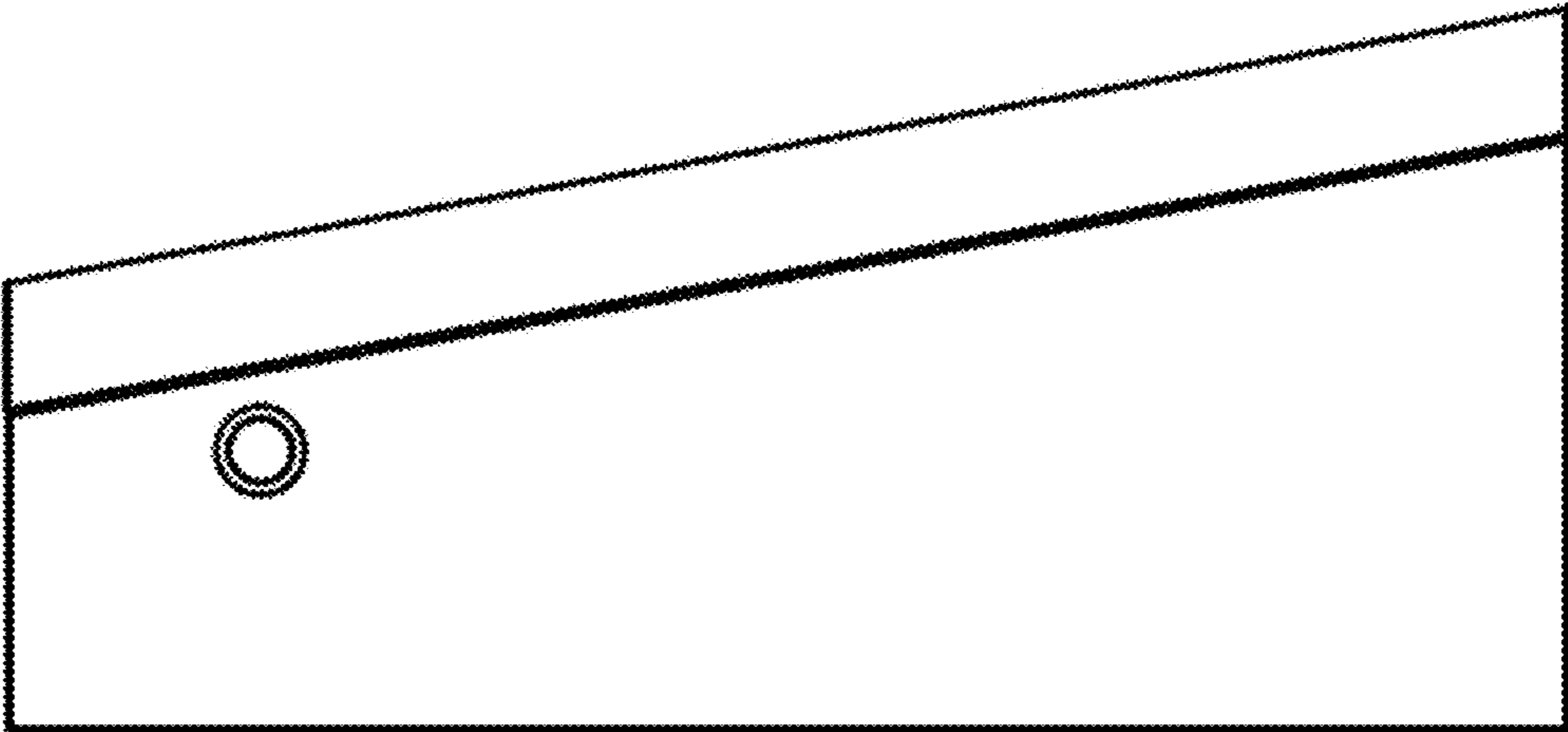


FIG. 1

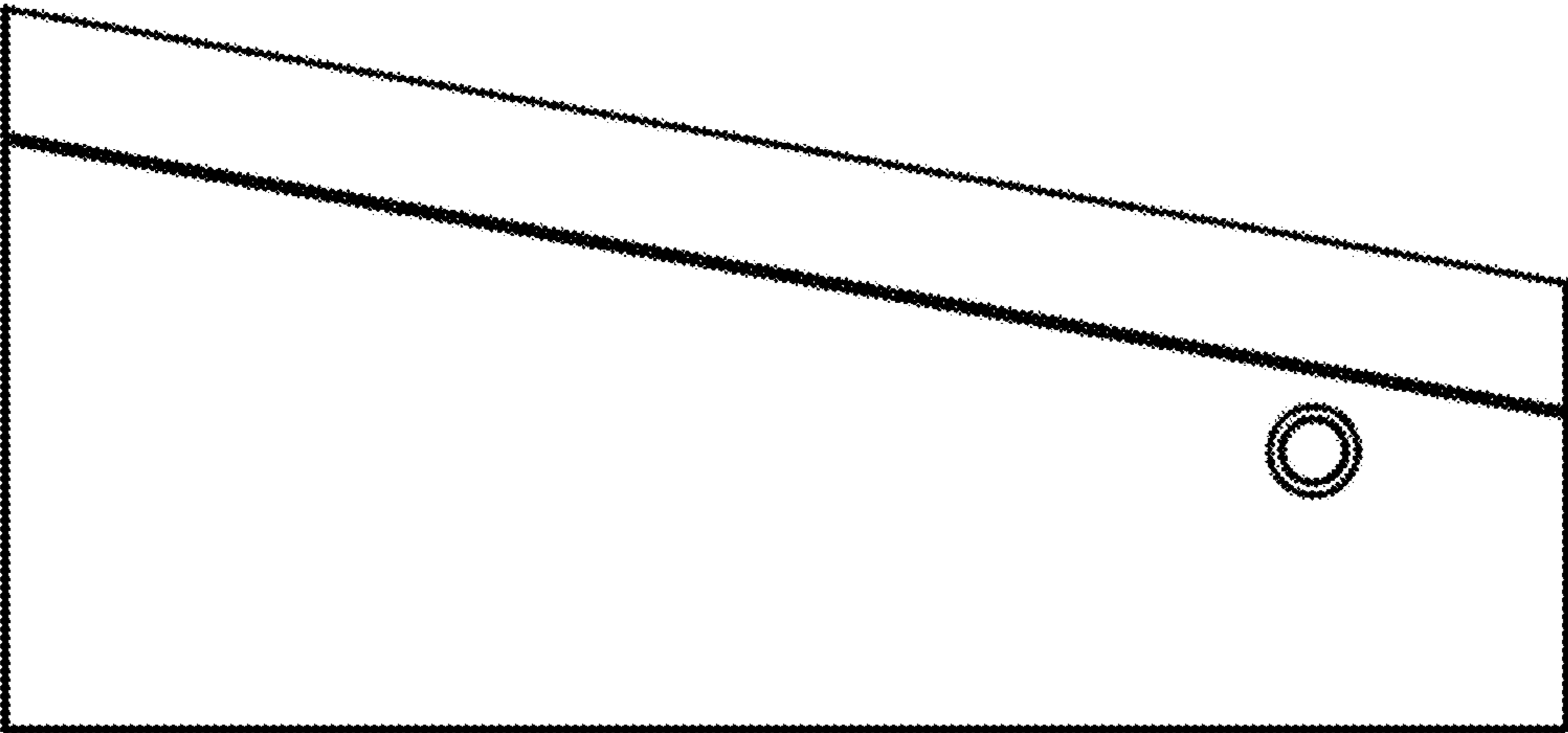


FIG. 2

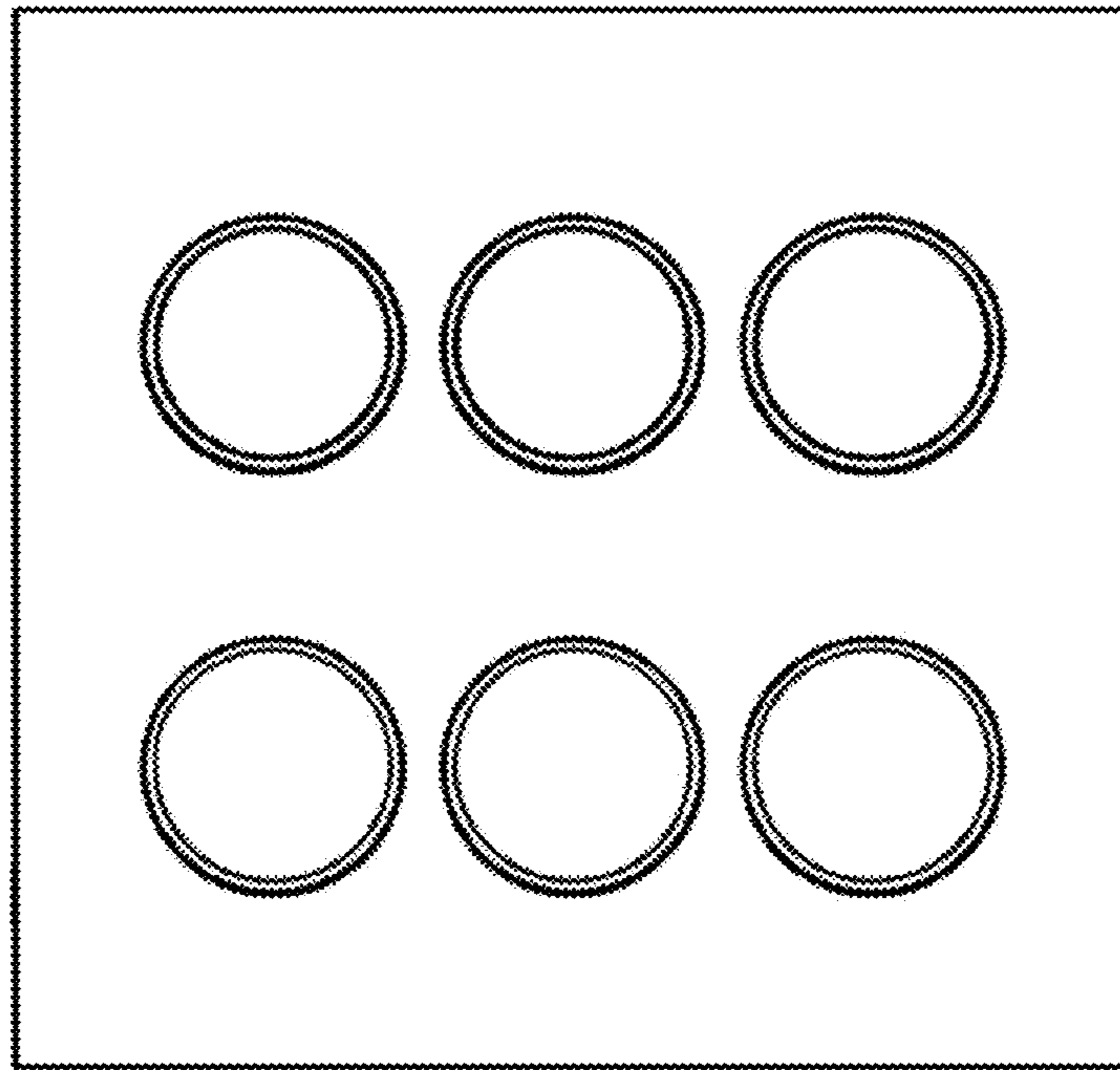


FIG. 3

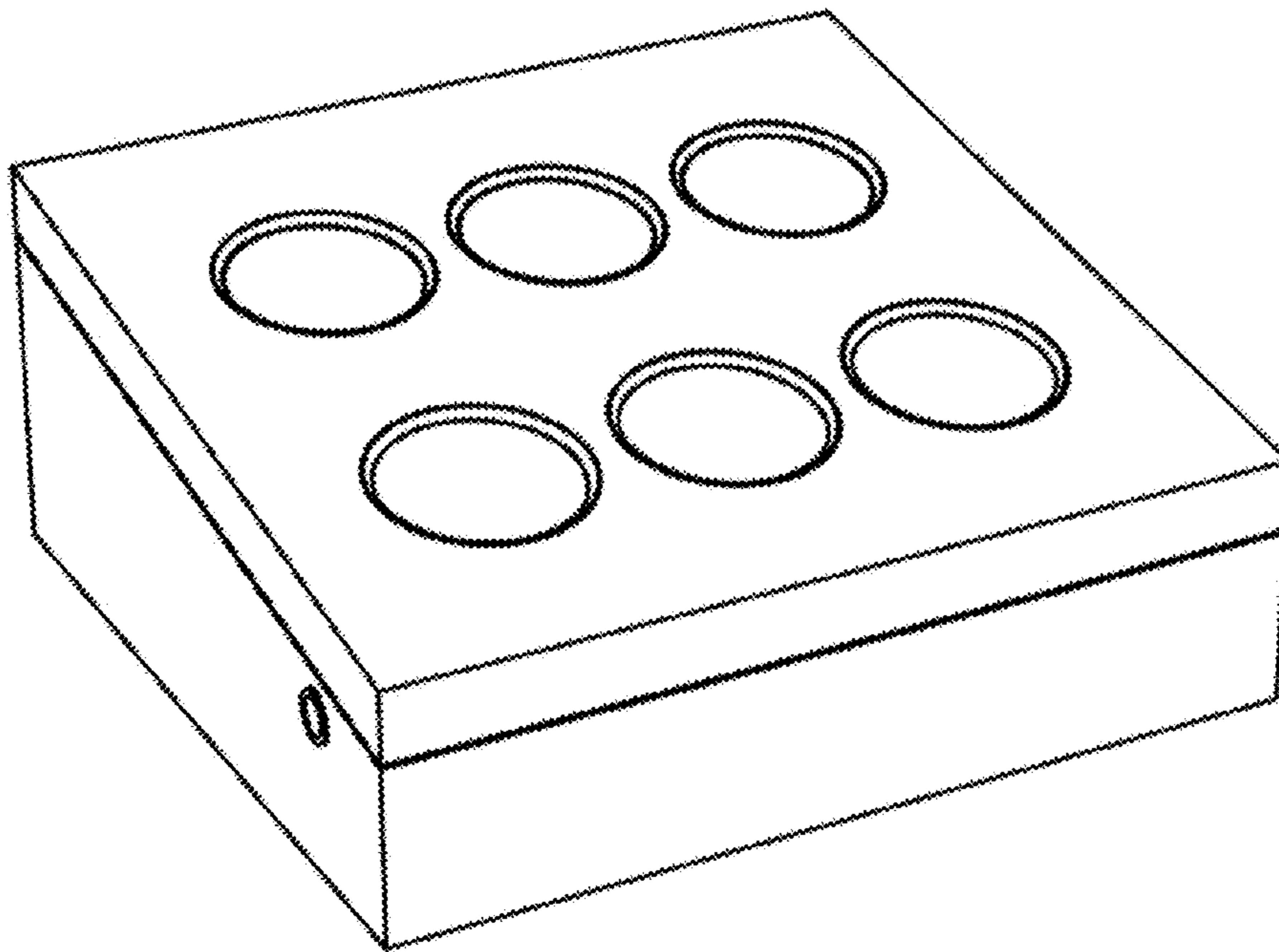


FIG. 4

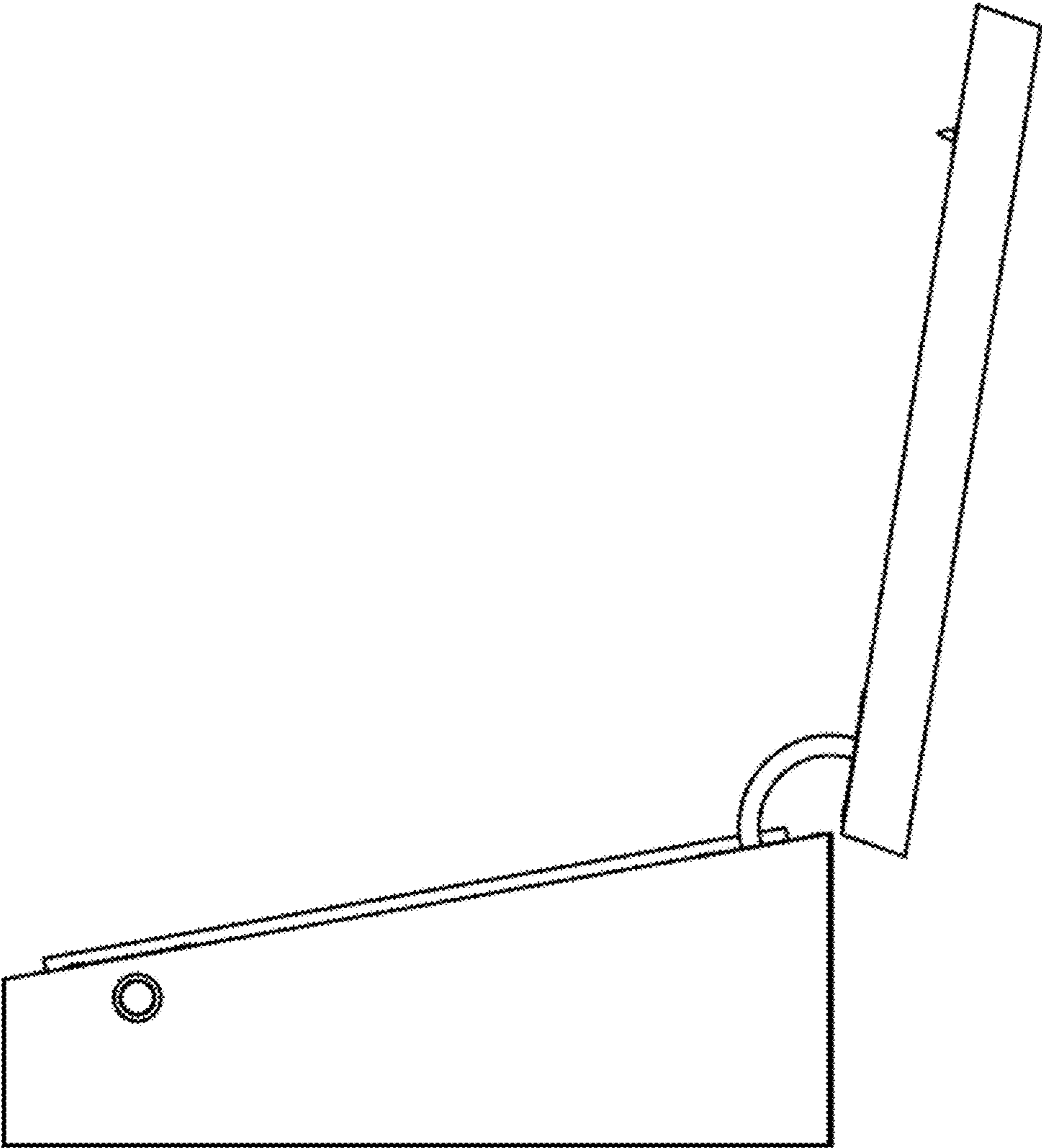


FIG. 5

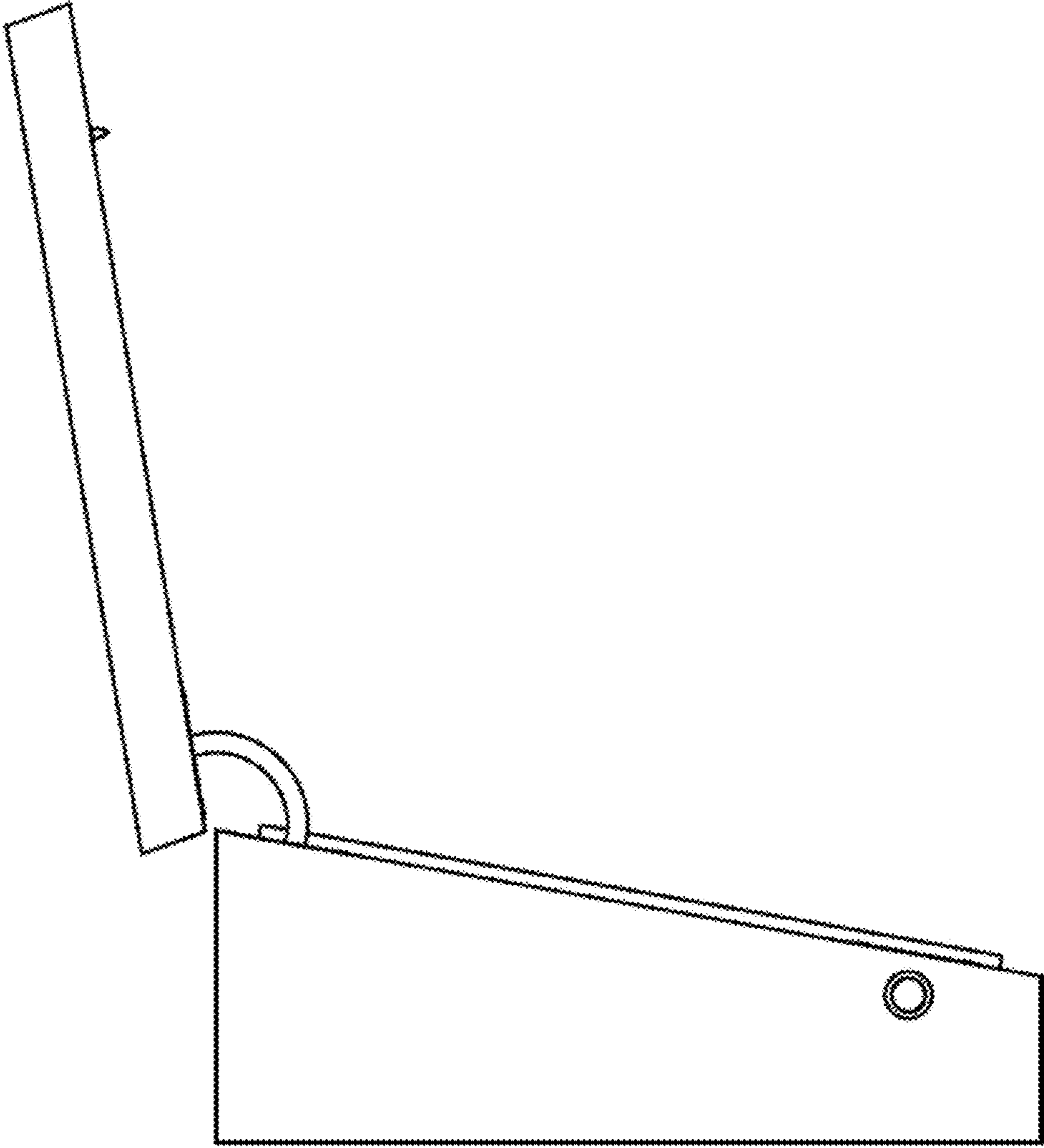


FIG. 6

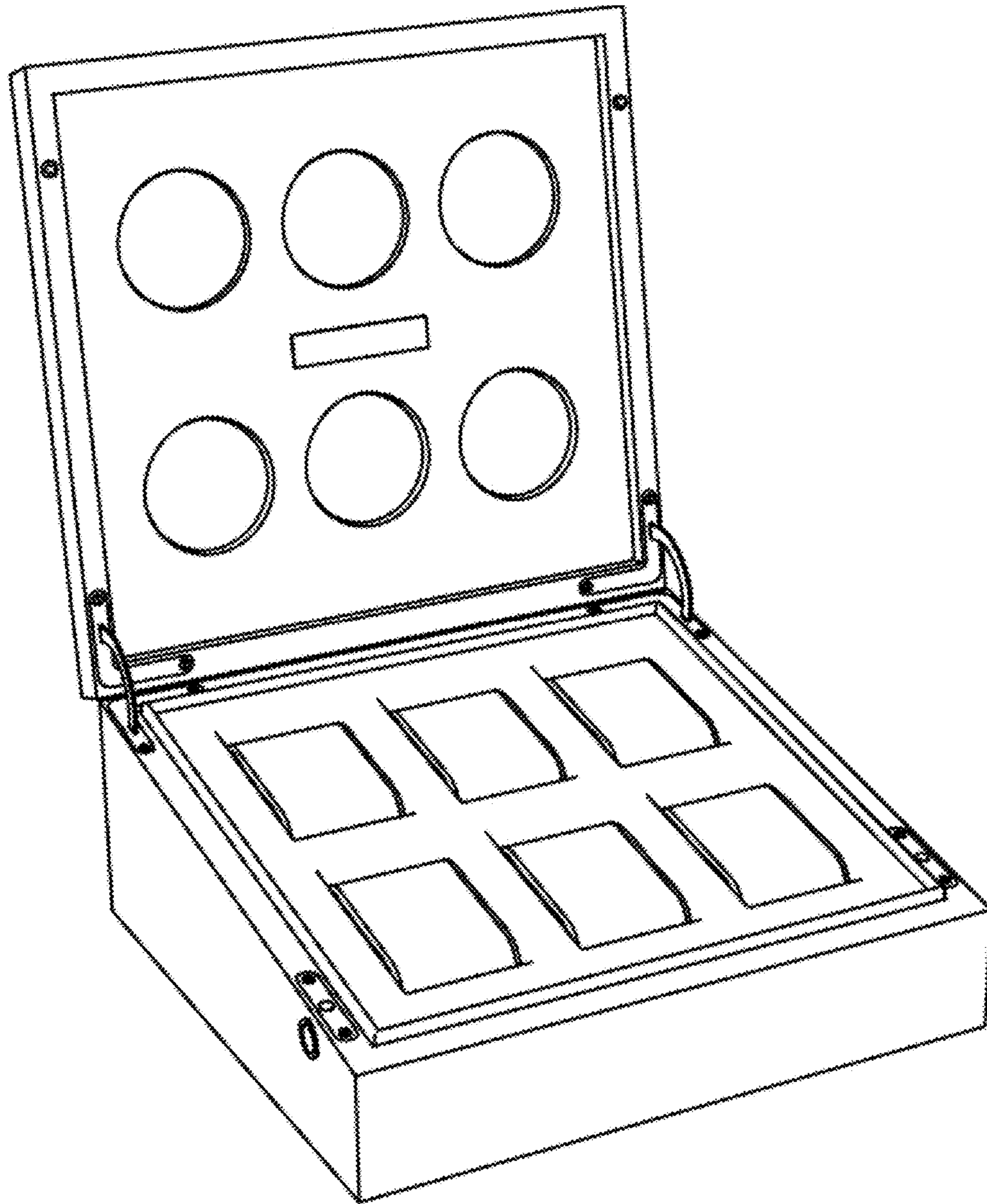


FIG. 7