



US00D728357S

(12) **United States Design Patent**
Pierce, Jr. et al.

(10) **Patent No.:** **US D728,357 S**
(45) **Date of Patent:** **** May 5, 2015**

(54) **CONTAINER**

(71) Applicant: **The Hershey Company**, Hershey, PA
(US)

(72) Inventors: **William R. Pierce, Jr.**, Hummelstown,
PA (US); **Jonathon K. Markey**,
Greensboro, NC (US)

(73) Assignee: **The Hershey Company**, Hershey, PA
(US)

(**) Term: **14 Years**

(21) Appl. No.: **29/481,064**

(22) Filed: **Jan. 31, 2014**

(51) **LOC (10) Cl.** **09-03**

(52) **U.S. Cl.**
USPC **D9/416**

(58) **Field of Classification Search**
USPC D9/416, 430, 418, 782, 432, 737, 529,
D9/435, 711, 425, 424, 419; D3/302;
D7/708, 511; 206/509, 771, 77.1;
131/241

See application file for complete search history.

(56) **References Cited**

U.S. PATENT DOCUMENTS

3,261,494	A	7/1966	Walker, Jr.	
4,277,000	A	7/1981	Jaarsma	
D269,361	S *	6/1983	Marschak	D3/302
D283,096	S	3/1986	Uhrik	
D297,119	S	8/1988	Fontana et al.	
D298,412	S *	11/1988	Ciuba	D9/430
D304,680	S *	11/1989	Carlson	D7/708
5,111,951	A	5/1992	Breen et al.	
5,341,953	A	8/1994	Forester	
5,405,030	A	4/1995	Frazier	
5,676,275	A	10/1997	Khattar	
5,823,345	A *	10/1998	Nask et al.	206/509
5,927,538	A	7/1999	Collins	
6,098,805	A	8/2000	Kent	

D436,531	S *	1/2001	Holmes et al.	D9/418
D442,082	S	5/2001	Maeda et al.	
D442,485	S *	5/2001	Sumpmann et al.	D9/782
D464,884	S *	10/2002	Sumpmann et al.	D9/432
6,474,342	B1 *	11/2002	Rennecamp	131/241
D471,803	S *	3/2003	Trombly	D9/737
6,622,867	B2 *	9/2003	Menceles	206/771
D492,196	S	6/2004	Hyhlik et al.	
D515,437	S	2/2006	Lopez-Garcia	
7,021,458	B2 *	4/2006	Cummings	206/77.1

(Continued)

FOREIGN PATENT DOCUMENTS

BR	DI6802011-2	F	4/2008
BR	DI6704394-1	F	6/2008

(Continued)

Primary Examiner — Holly Baynham

Assistant Examiner — Rhea Shields

(74) *Attorney, Agent, or Firm* — McNeese Wallace & Nurick
LLC

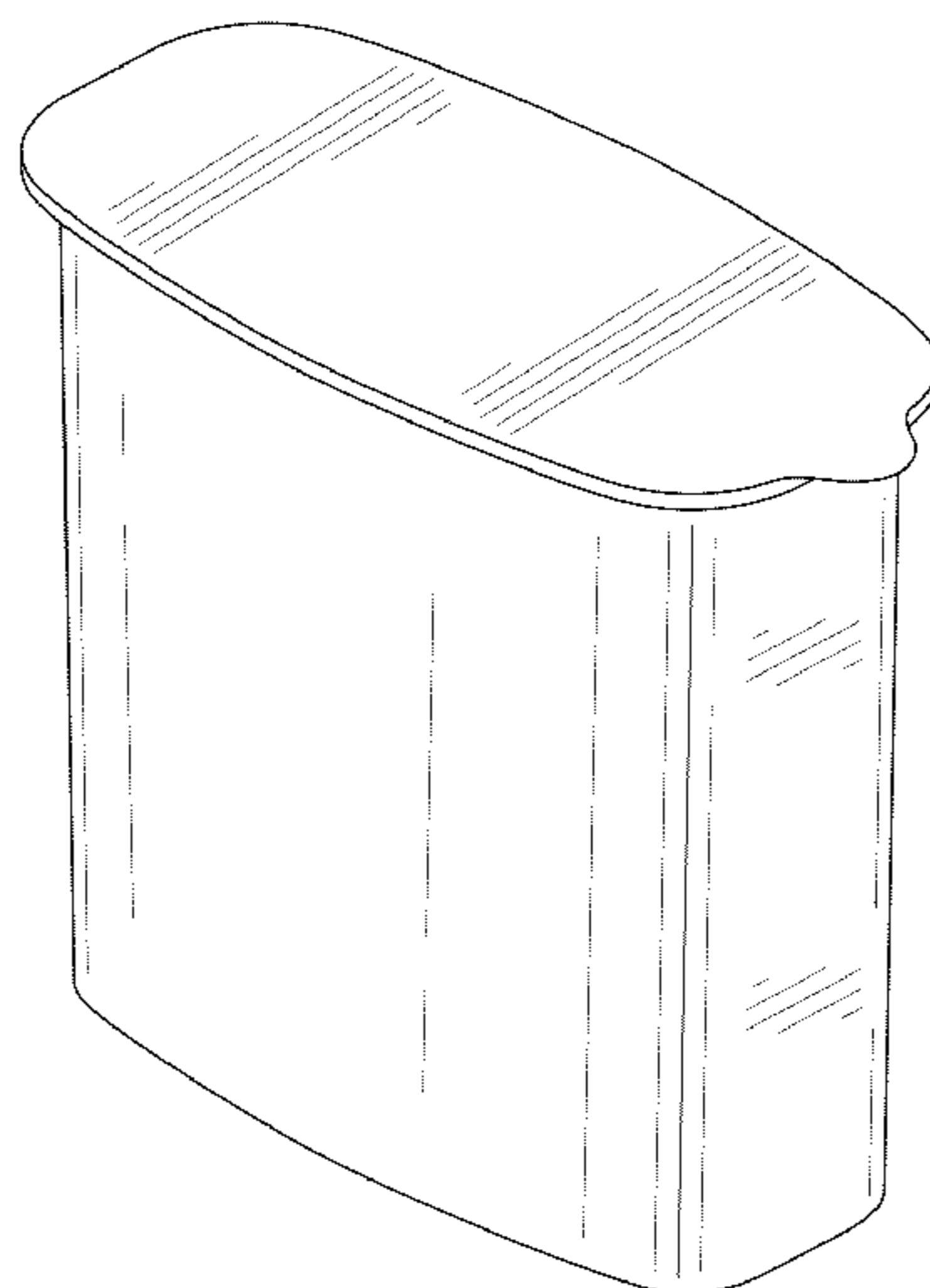
(57) **CLAIM**

The ornamental design for a container, as shown and described.

DESCRIPTION

FIG. 1 shows a perspective view of an embodiment of the container according to our new design. FIG. 2 shows a front side view thereof. FIG. 3 shows a rear side view thereof. FIG. 4 shows a left side view thereof. FIG. 5 shows a right side view thereof. FIG. 6 shows a top view thereof. FIG. 7 shows a bottom view thereof; and, FIGS. 8-14 show the container of FIGS. 1-7 in which the lid is shown in broken line in accordance with a second embodiment. In FIGS. 7-14 of the drawings, the broken lines depict unclaimed subject matter only and form no part of the claimed design.

1 Claim, 10 Drawing Sheets



(56)

References Cited

FOREIGN PATENT DOCUMENTS

U.S. PATENT DOCUMENTS

D551,572	S	*	9/2007	Hsu	D9/730
D559,623	S	*	1/2008	Schellenberg	D7/511
D574,229	S		8/2008	Terrasi		
D578,875	S	*	10/2008	Kent et al.	D9/418
D613,609	S	*	4/2010	Pok et al.	D9/529
D633,341	S		3/2011	Smyers		
D636,670	S	*	4/2011	Schedl et al.	D9/435
D641,235	S		7/2011	Fisher		
D650,267	S		12/2011	Gibson et al.		
D651,508	S	*	1/2012	Layfield	D9/416
D653,962	S	*	2/2012	Vazquez	D9/711
D657,261	S	*	4/2012	de Gast	D9/711
D660,723	S		5/2012	Akana et al.		
D669,777	S	*	10/2012	Brown et al.	D9/424
D669,778	S	*	10/2012	Houlton et al.	D9/425
8,322,558	B2		12/2012	Andrews		
D674,709	S		1/2013	Akana et al.		
D685,654	S		7/2013	Akana et al.		
D696,579	S	*	12/2013	Ridenour	D9/418
D696,580	S	*	12/2013	Ridenour	D9/419
D699,564	S	*	2/2014	Petzl	D9/418
D704,049	S	*	5/2014	Ridenour	D9/418
2008/0290097	A1		11/2008	Fischell et al.		
2010/0108686	A1		5/2010	Reichel		
2012/0080436	A1		4/2012	Shumaker et al.		

BR	DI6805276-6	F	3/2010
BR	DI7000850-7	F	9/2010
CA	105536		1/2006
CA	134981		11/2010
CA	134982		11/2010
CA	138277		10/2011
CN	3499134		1/2006
CN	3564076		9/2006
CN	3614910		2/2007
CN	3625758		3/2007
CN	300886444		2/2009
CN	300955483		7/2009
CN	301089323		12/2009
CN	301578760	S	6/2011
CN	301876342	S	4/2012
CN	302007571	S	7/2012
MX	9530		6/1998
MX	20566		4/2006
MX	22269		1/2007
MX	26354		7/2008
MX	37233	B	9/2012
MX	37336	B	10/2012

* cited by examiner

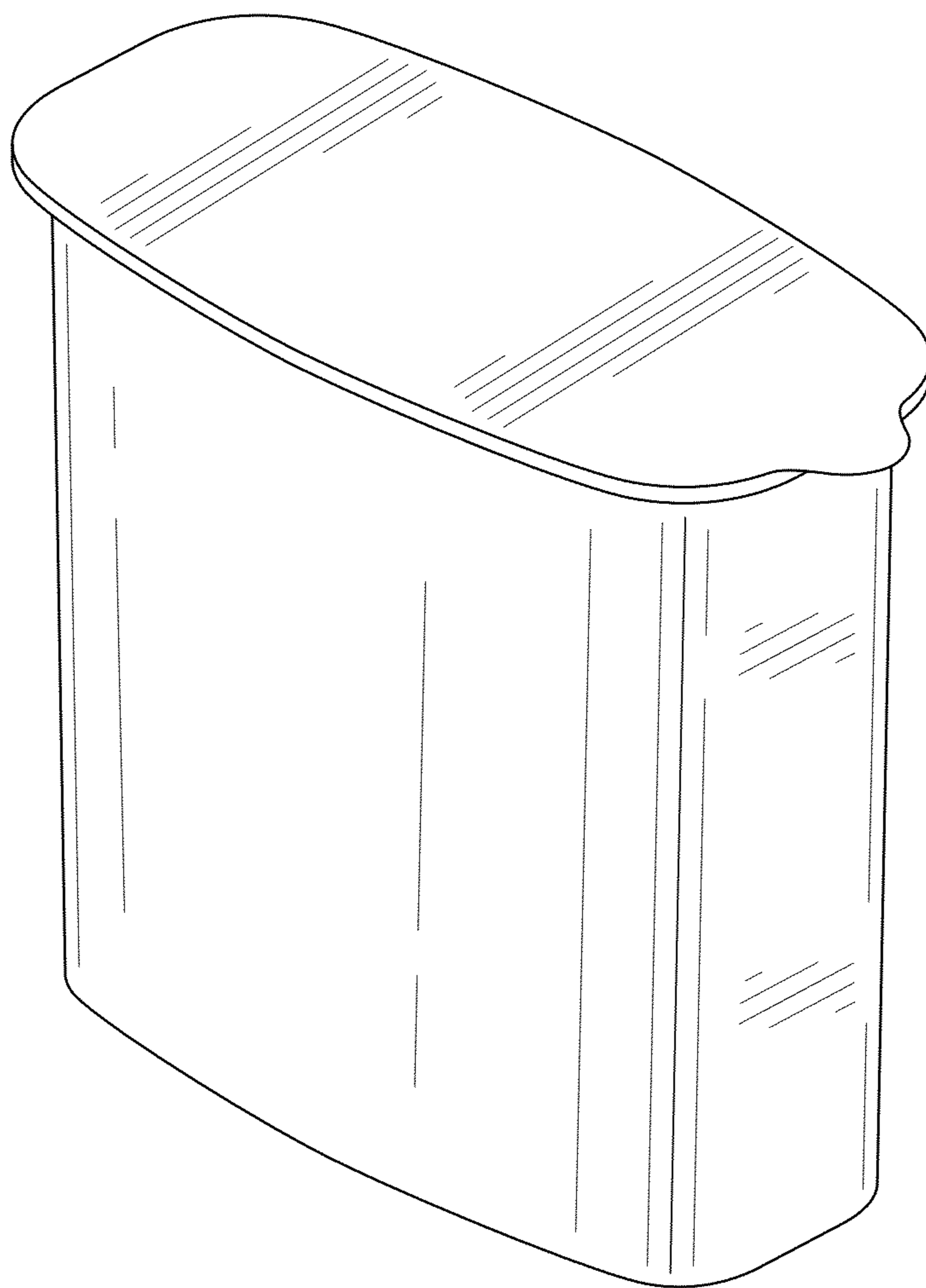


FIG. 1

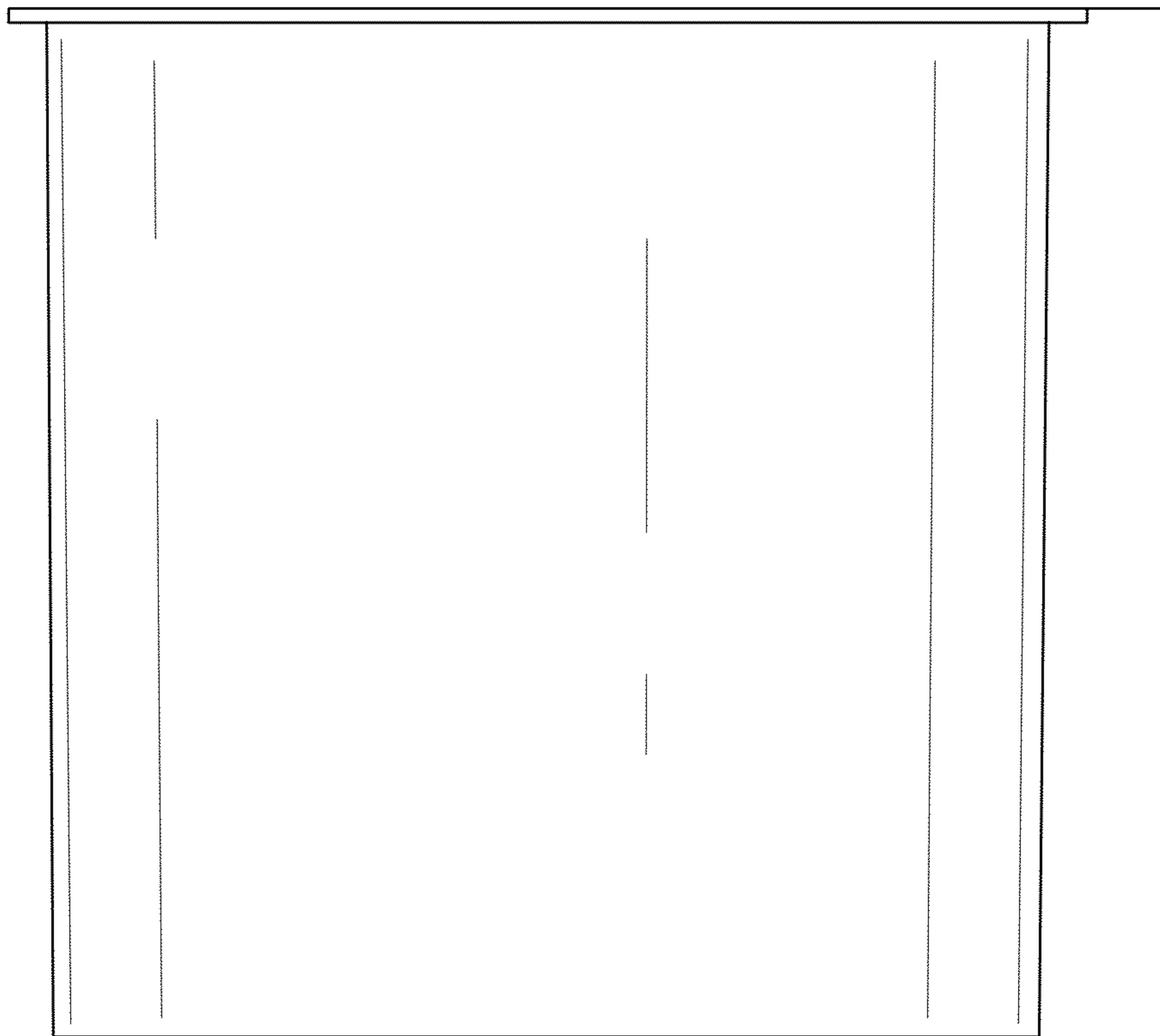


FIG. 2

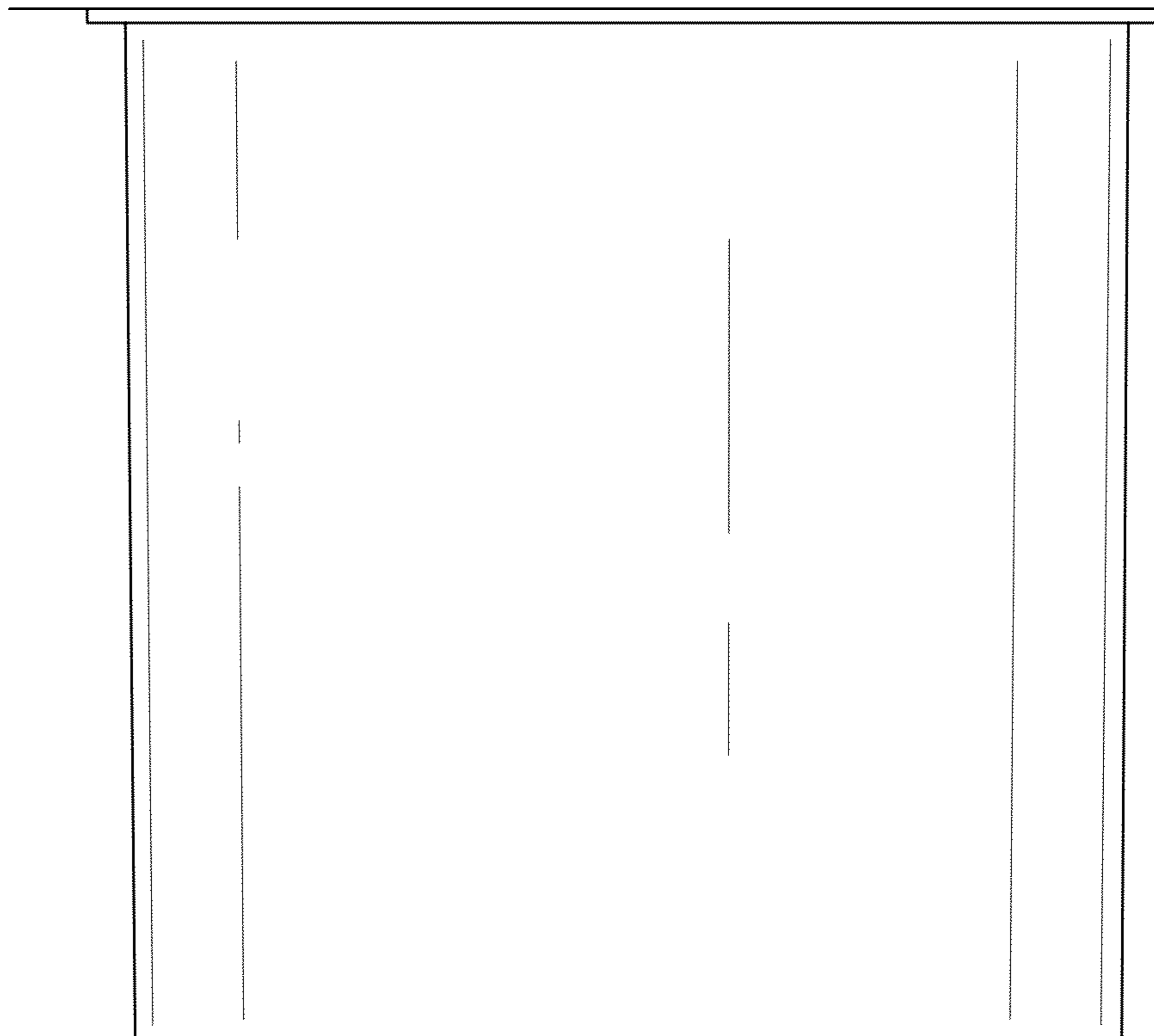


FIG. 3

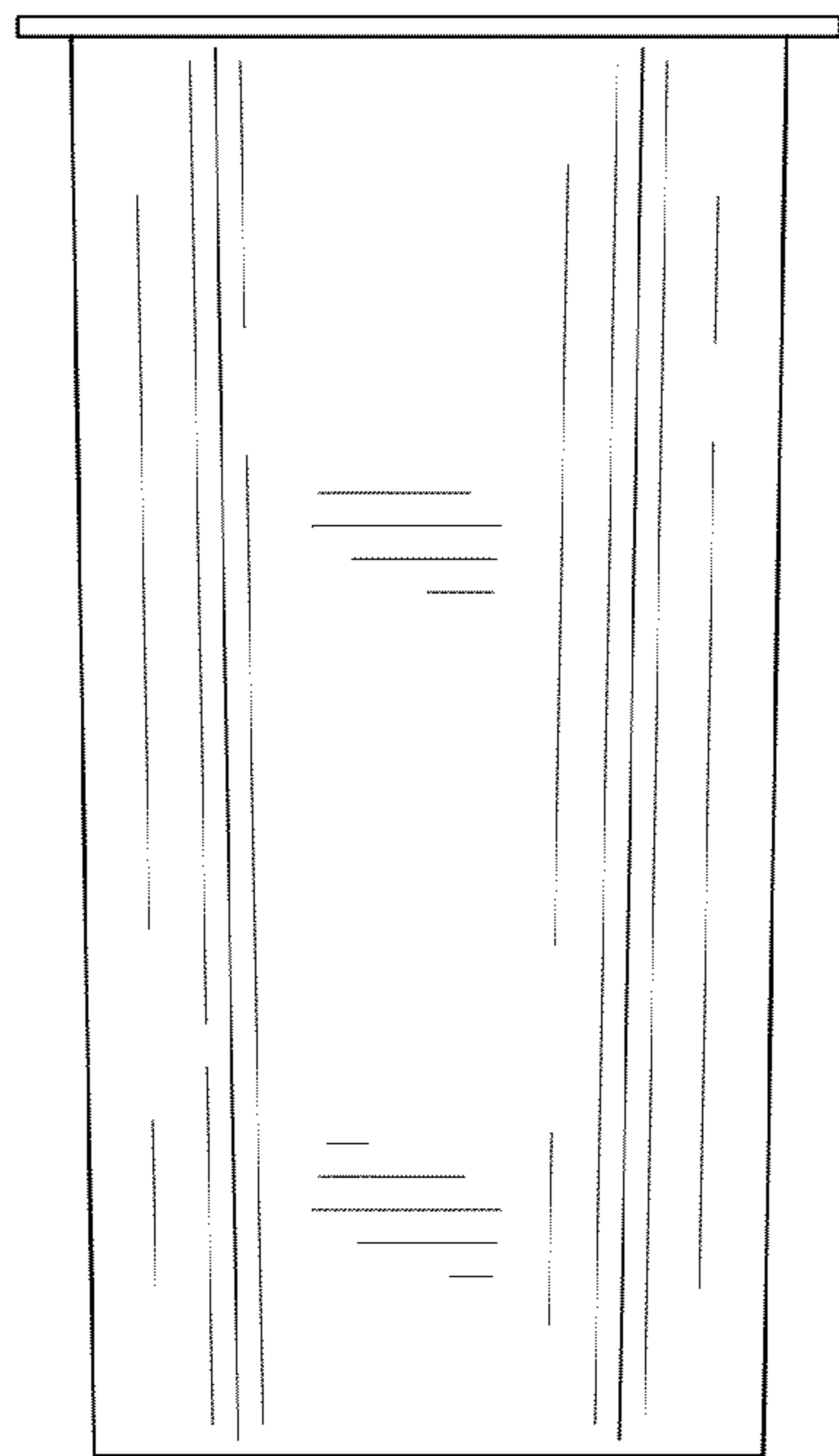


FIG. 4

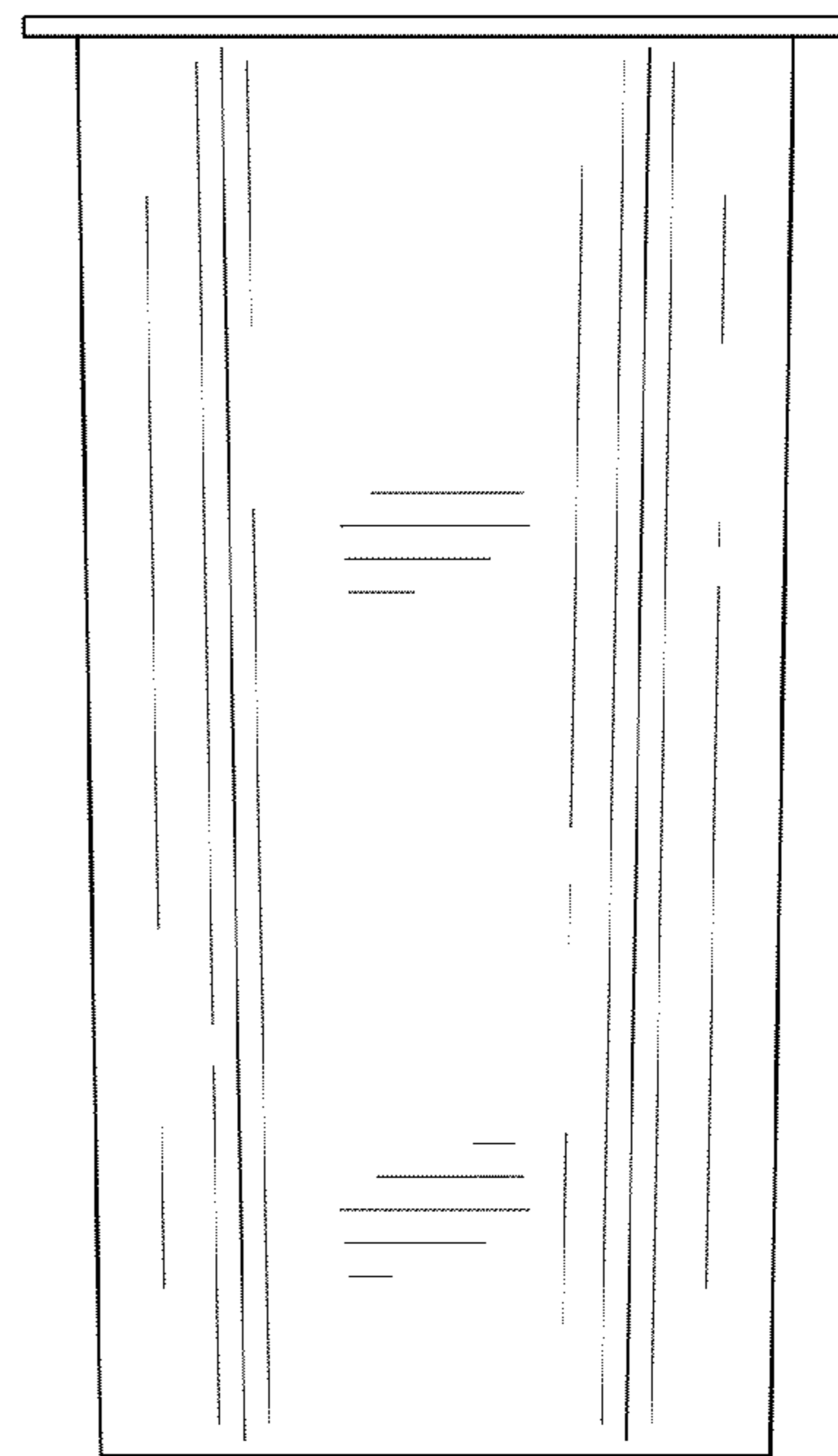


FIG. 5

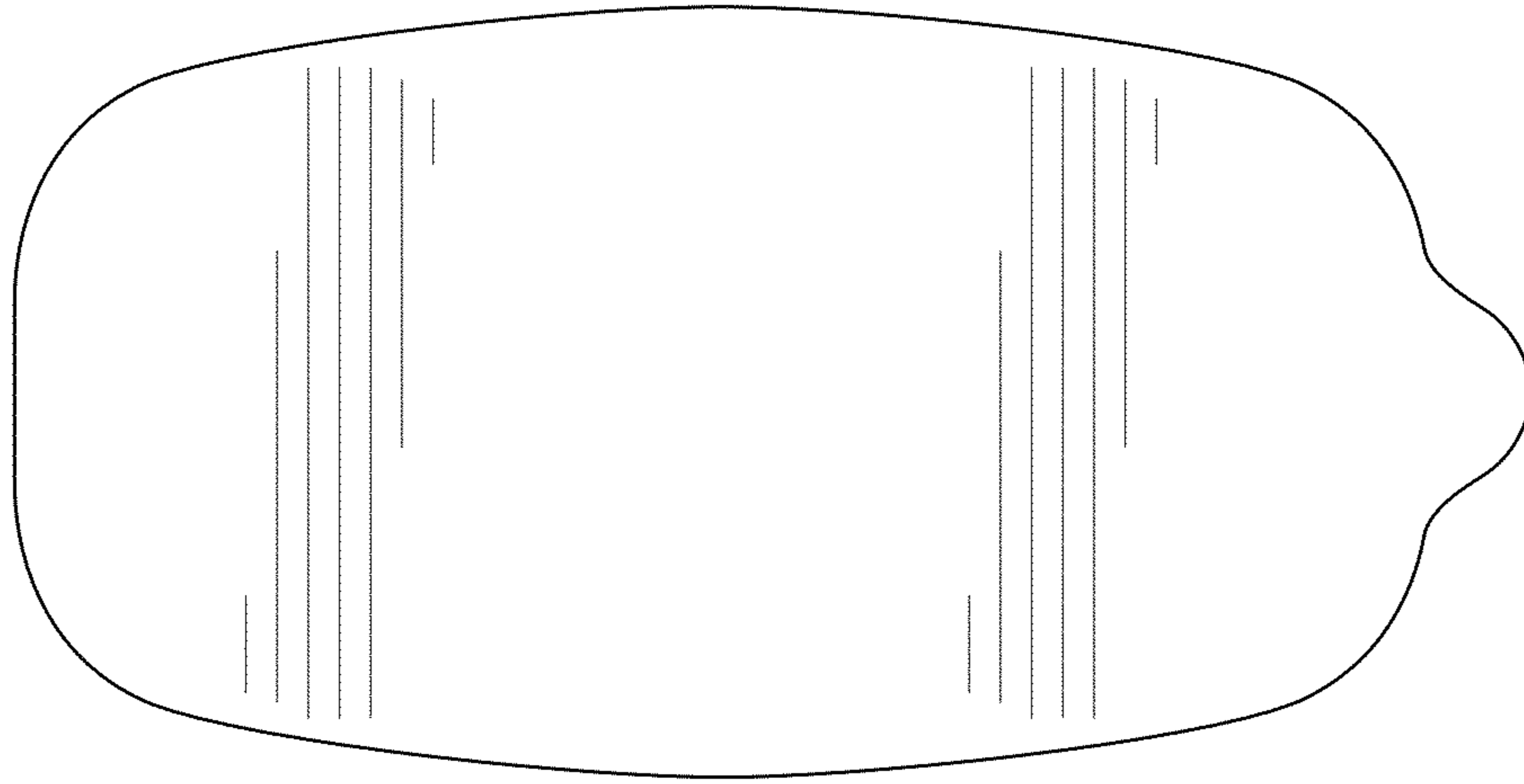


FIG. 6

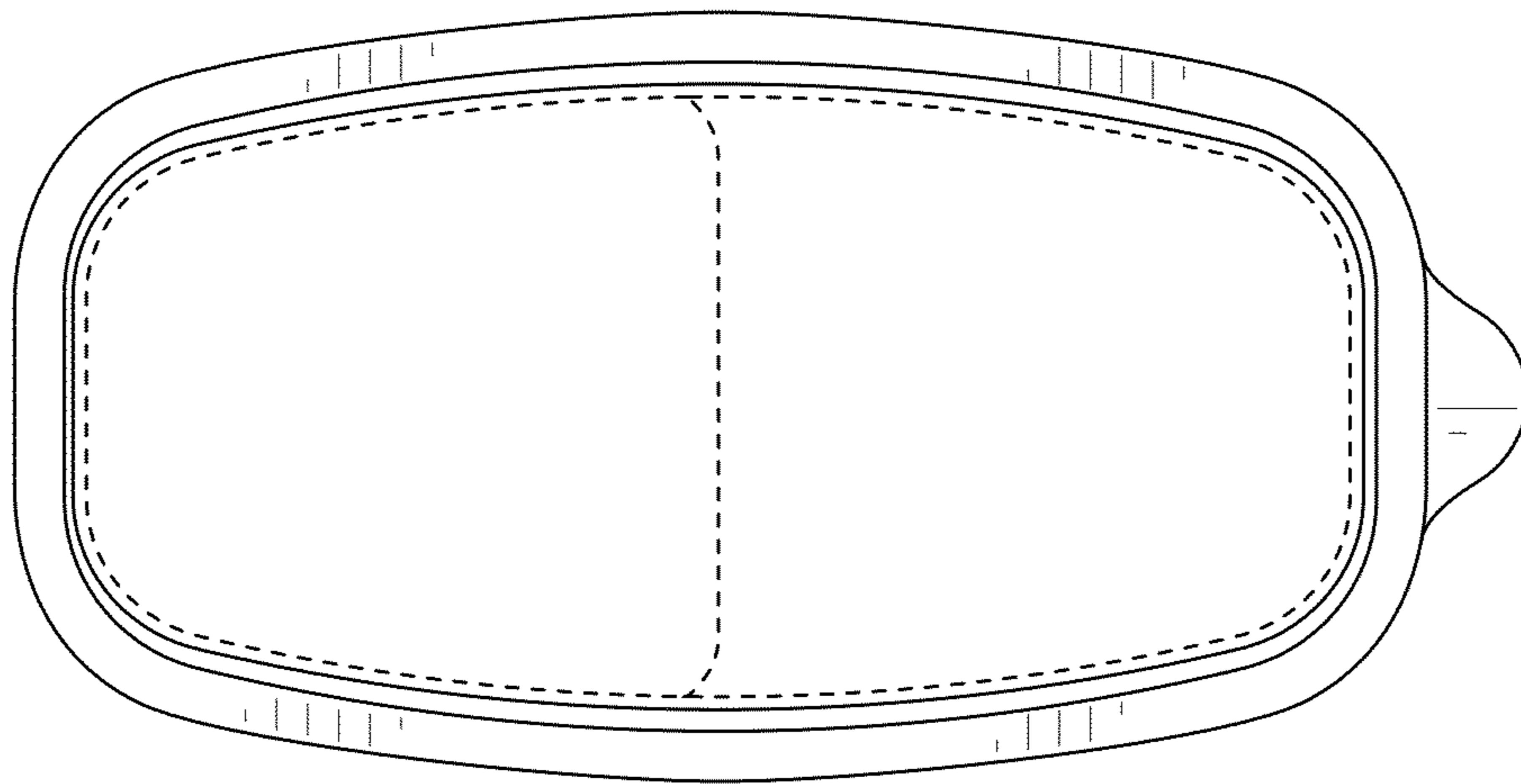


FIG. 7

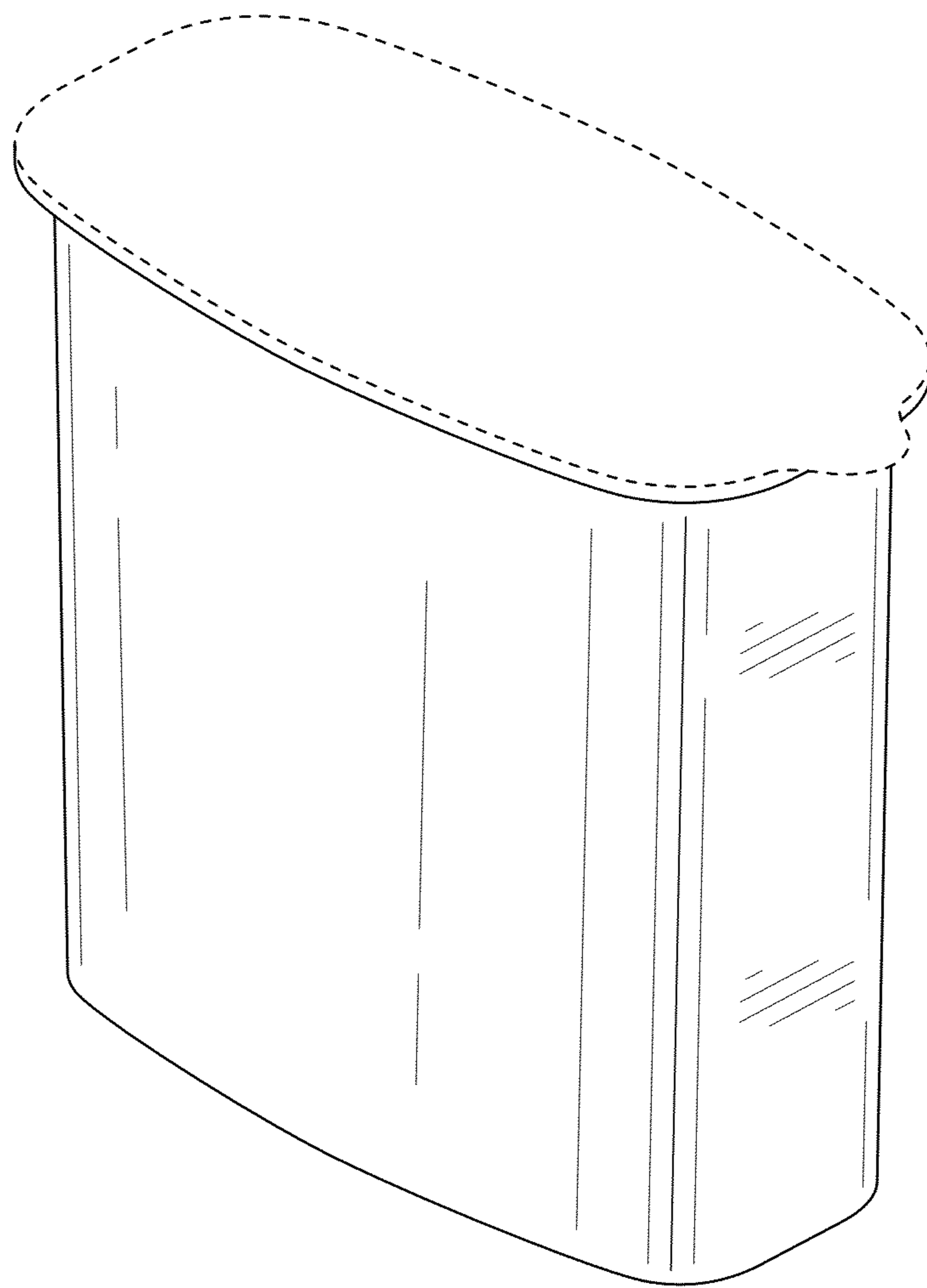


FIG. 8

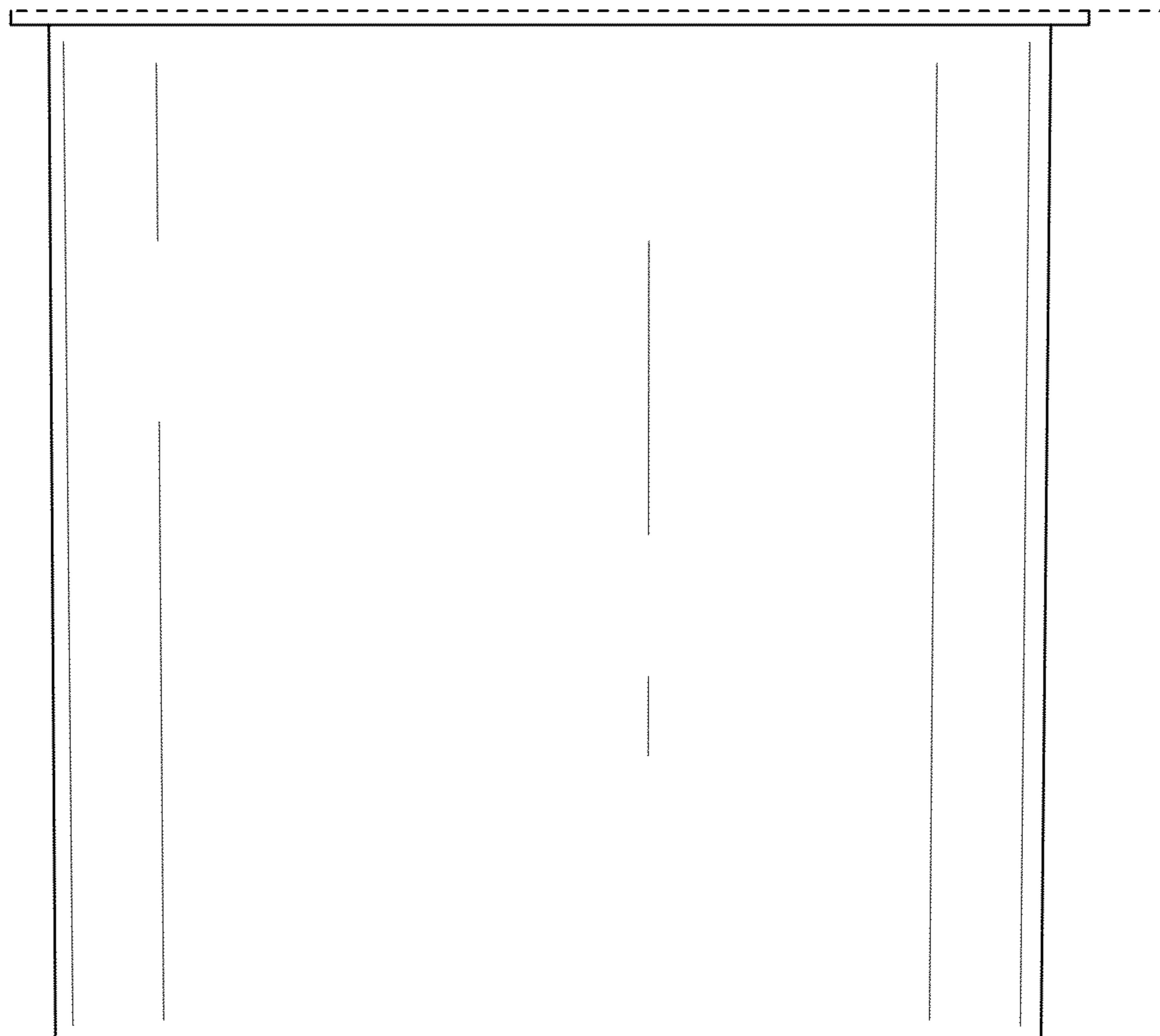


FIG. 9

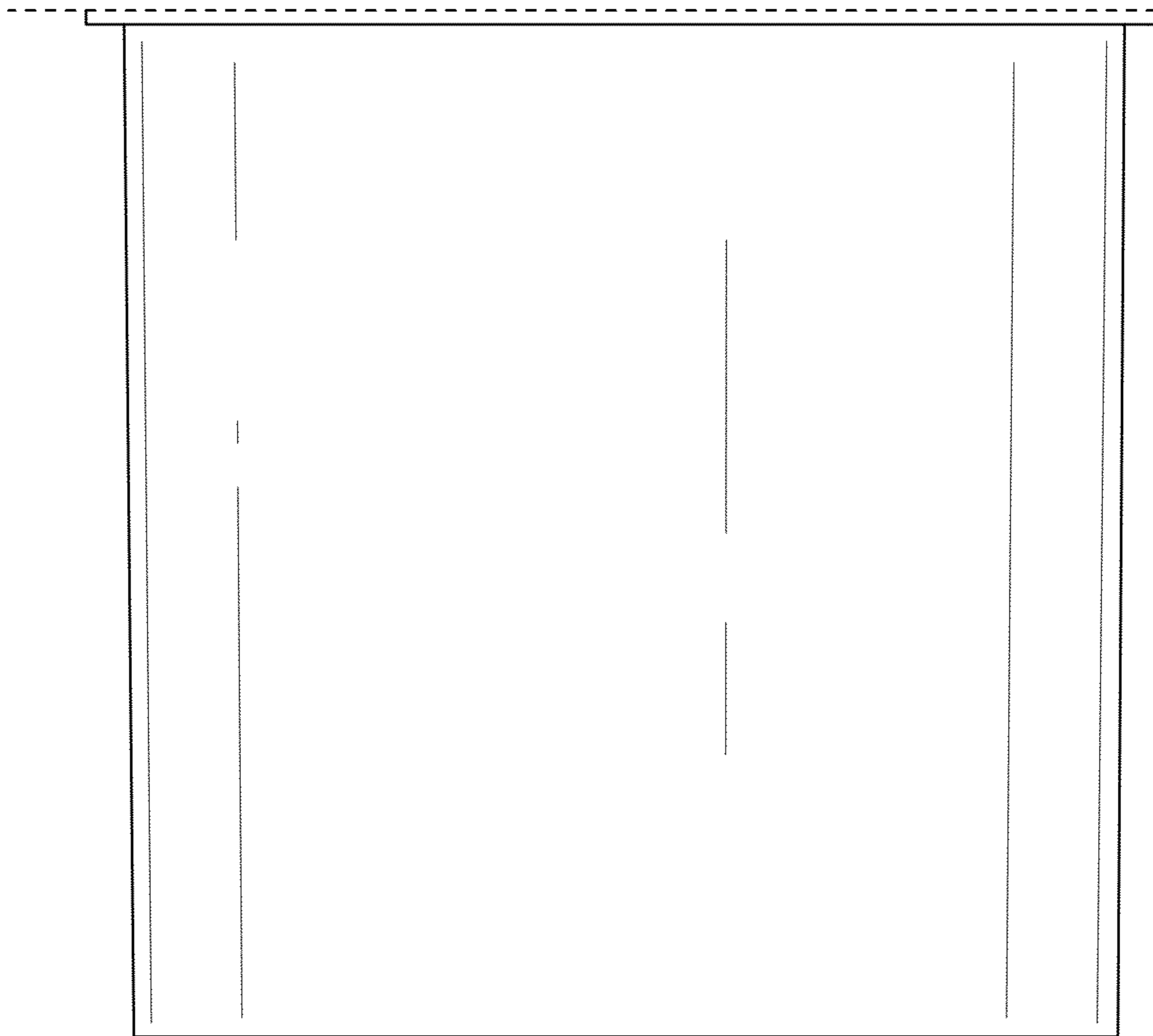


FIG. 10

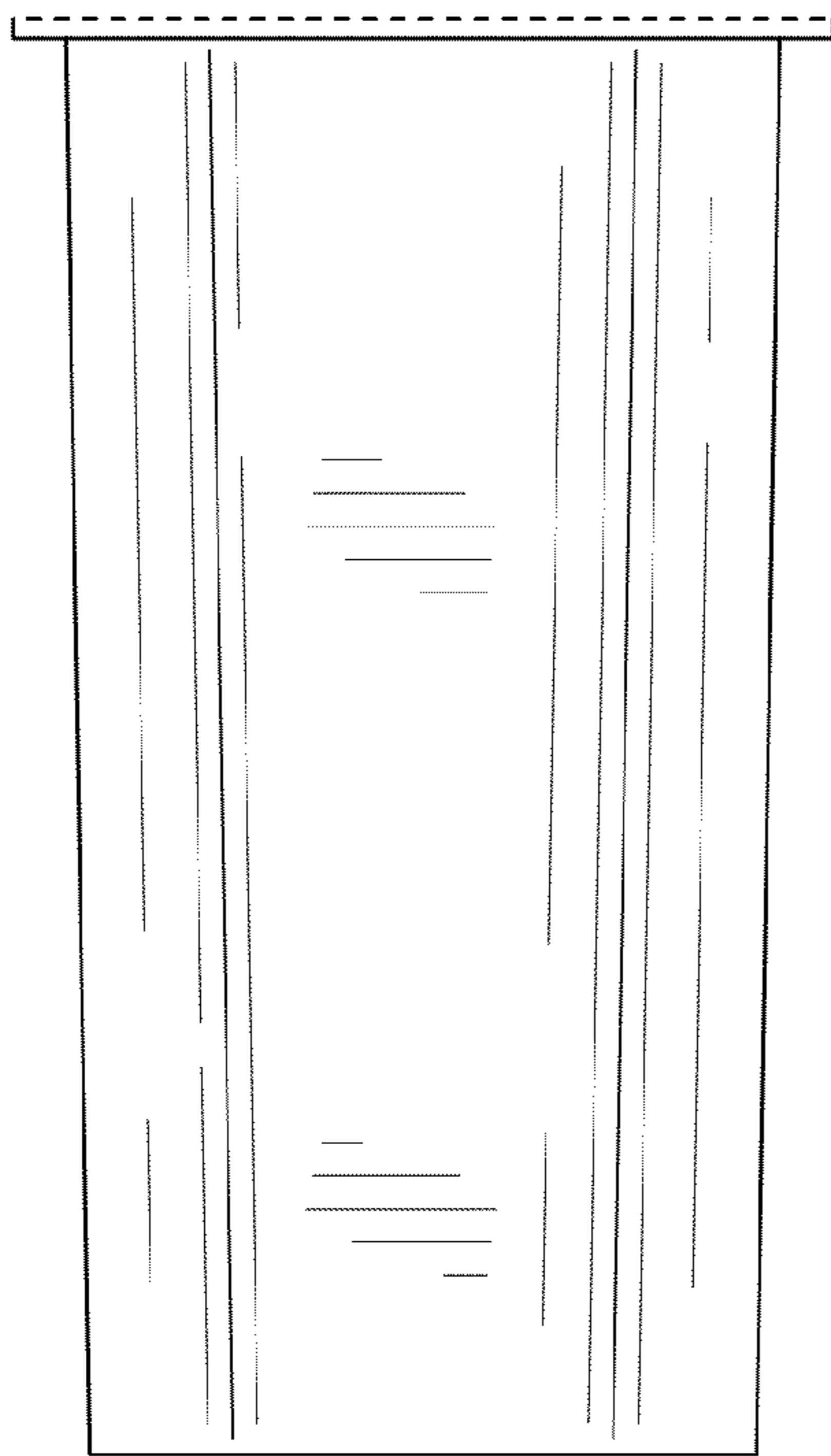


FIG. 11

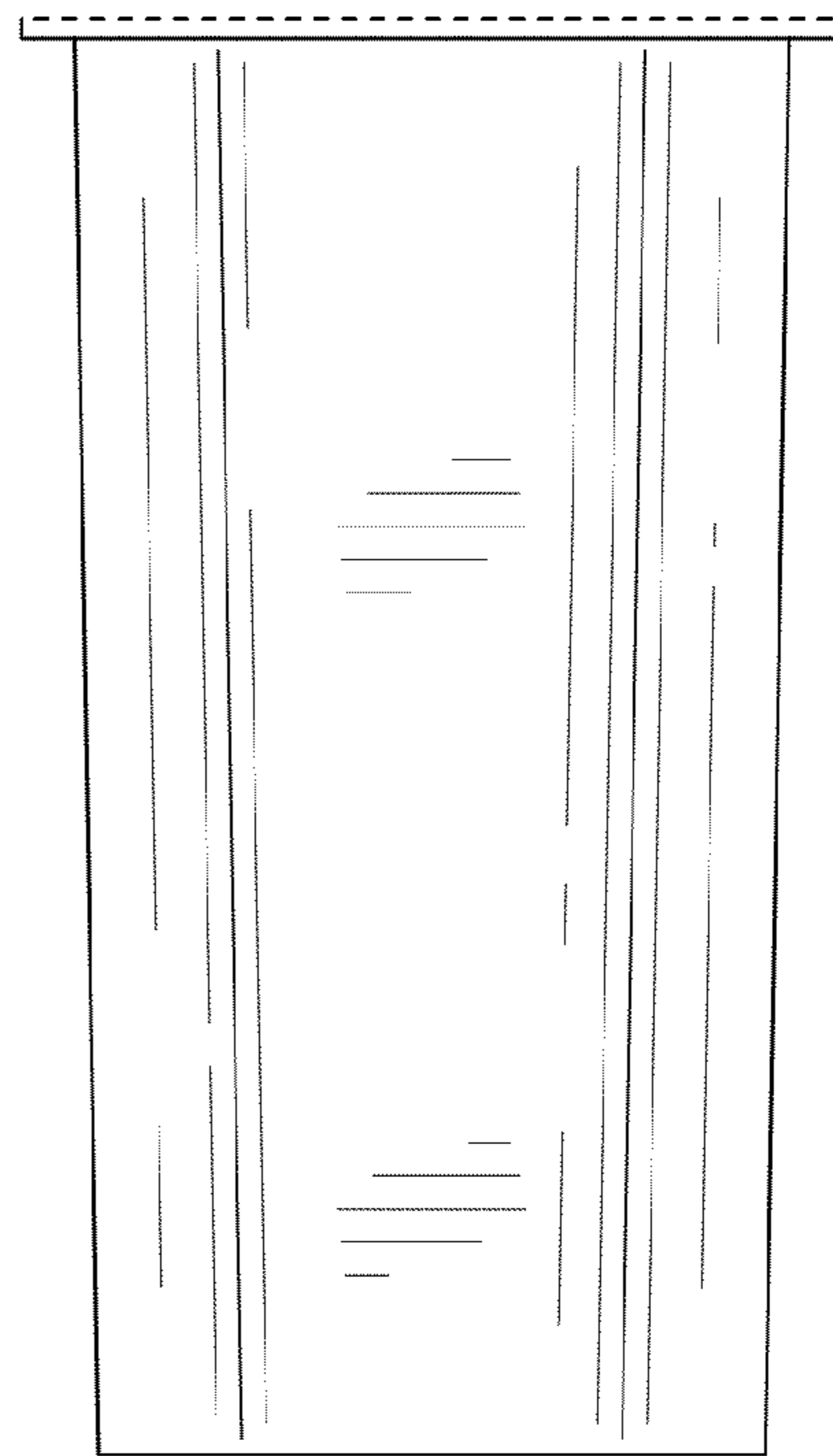


FIG. 12

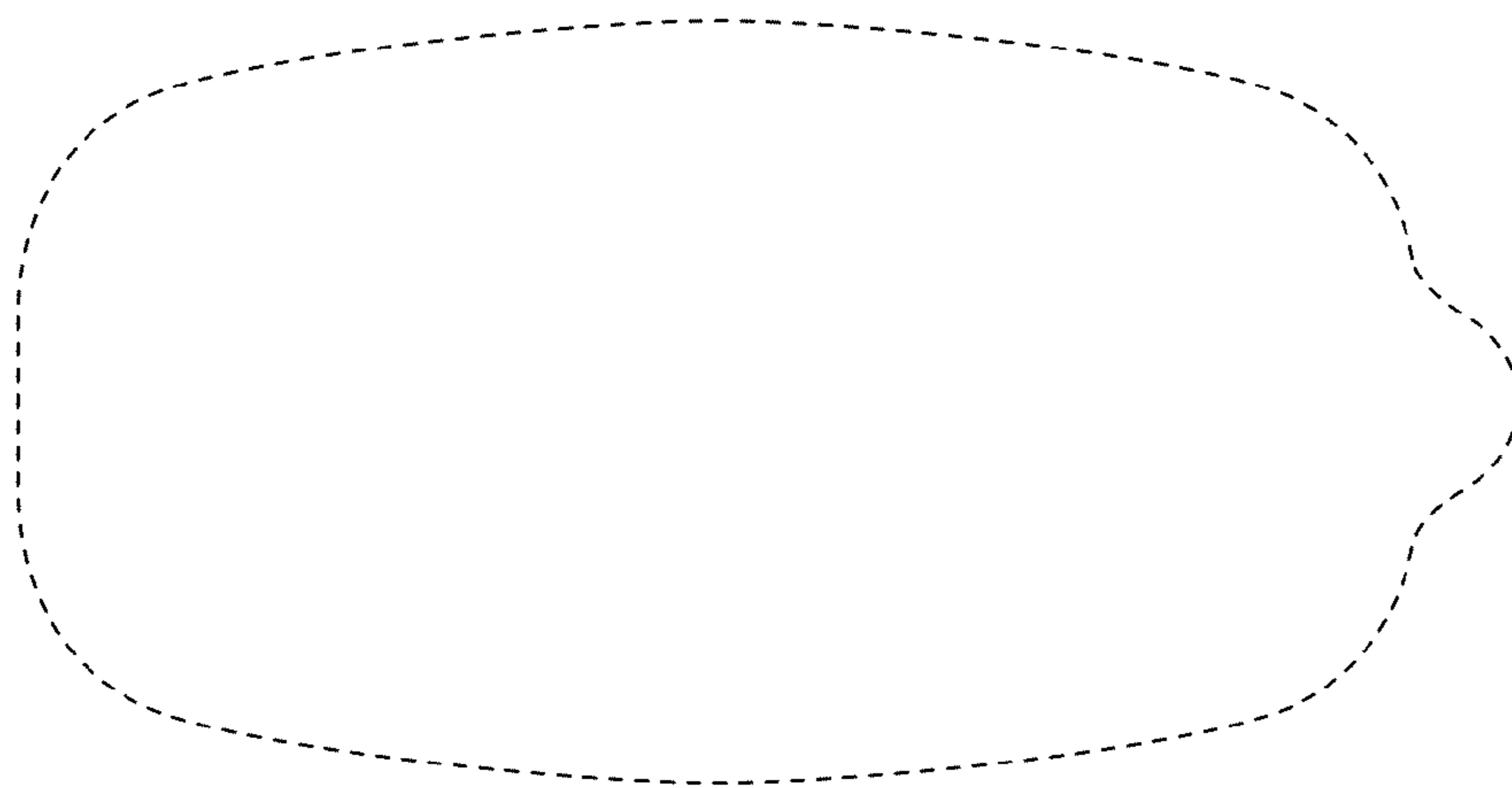


FIG. 13

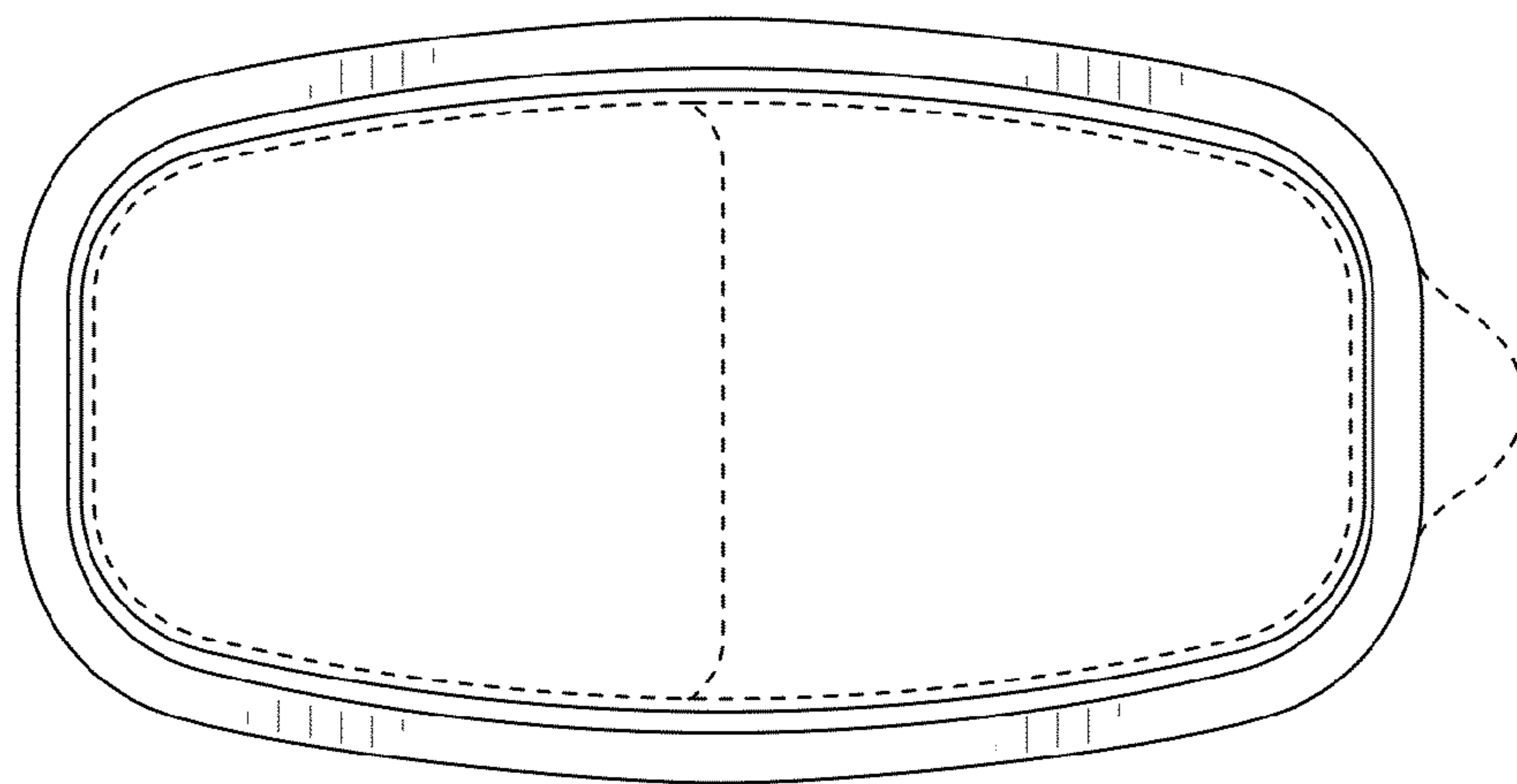


FIG. 14