



US00D728356S

(12) **United States Design Patent**
Kury

(10) **Patent No.:** **US D728,356 S**
(45) **Date of Patent:** **** May 5, 2015**

- (54) **COUPLING NUT**
- (71) Applicant: **Neoperl GmbH**, Mullheim (DE)
- (72) Inventor: **Werner Kury**, Mullheim (DE)
- (73) Assignee: **Neoperl GmbH**, Müllheim (DE)
- (**) Term: **14 Years**
- (21) Appl. No.: **29/495,755**
- (22) Filed: **Jul. 3, 2014**

Related U.S. Application Data

- (63) Continuation of application No. 29/481,364, filed on Feb. 5, 2014, now Pat. No. Des. 713,715.

(30) **Foreign Application Priority Data**

Aug. 8, 2013 (EP) 002288670-0001

- (51) **LOC (10) Cl.** **08-08**
- (52) **U.S. Cl.**
USPC **D8/397**
- (58) **Field of Classification Search**
USPC D8/397, 394, 382, 399; 439/501;
16/2.1; D13/151, 133; 411/337, 427,
411/436, 9, 303, 280, 302; D23/262
See application file for complete search history.

(56) **References Cited**

U.S. PATENT DOCUMENTS

1,029,775	A	6/1912	Tobin	
2,552,794	A	5/1951	Kimbell	
2,727,551	A	12/1955	Rees	
3,702,628	A	11/1972	Cosenza	
4,019,550	A	4/1977	DeHaitre	
D311,131	S	10/1990	Saito	
D372,765	S *	8/1996	Sisk	D23/269
D383,053	S *	9/1997	Schrader et al.	D8/382
D383,378	S *	9/1997	Schrader et al.	D8/382
6,071,052	A	6/2000	Kerr	

D446,111	S	8/2001	Hussaini	
D446,298	S *	8/2001	Thurman	D23/393
D459,207	S	6/2002	Miyata	
D514,671	S *	2/2006	Jones	D23/269
D551,972	S	10/2007	Jacobs et al.	
D581,777	S	12/2008	Huang	
D590,902	S *	4/2009	De La Cruz et al.	D21/756
D601,507	S	10/2009	Rodrigues	
D637,697	S *	5/2011	Steiner	D23/262
D648,836	S *	11/2011	Drenth	D23/269
8,210,783	B2	7/2012	Morrison	
D678,967	S *	3/2013	Fossum et al.	D21/753
D679,988	S	4/2013	Yamazaki	
D687,702	S *	8/2013	Yates	D8/396
D698,638	S	2/2014	Imai et al.	
D699,558	S	2/2014	Smith et al.	
D700,682	S *	3/2014	Bayyouk et al.	D23/233
8,740,464	B2 *	6/2014	Berns	384/477
D718,121	S *	11/2014	Yu	D8/382
2003/0039527	A1	2/2003	Schatz	
2005/0136735	A1	6/2005	Rodrigues et al.	
2005/0199426	A1 *	9/2005	Smith et al.	175/57

* cited by examiner

Primary Examiner — Cynthia Underwood

(74) *Attorney, Agent, or Firm* — Volpe and Koenig, P.C.

(57) **CLAIM**

The ornamental design for a coupling nut, as shown and described.

DESCRIPTION

FIG. 1 is a top plan view of a coupling nut in accordance with my design;

FIG. 2 is a top, front, left perspective view thereof;

FIG. 3 is a bottom view thereof;

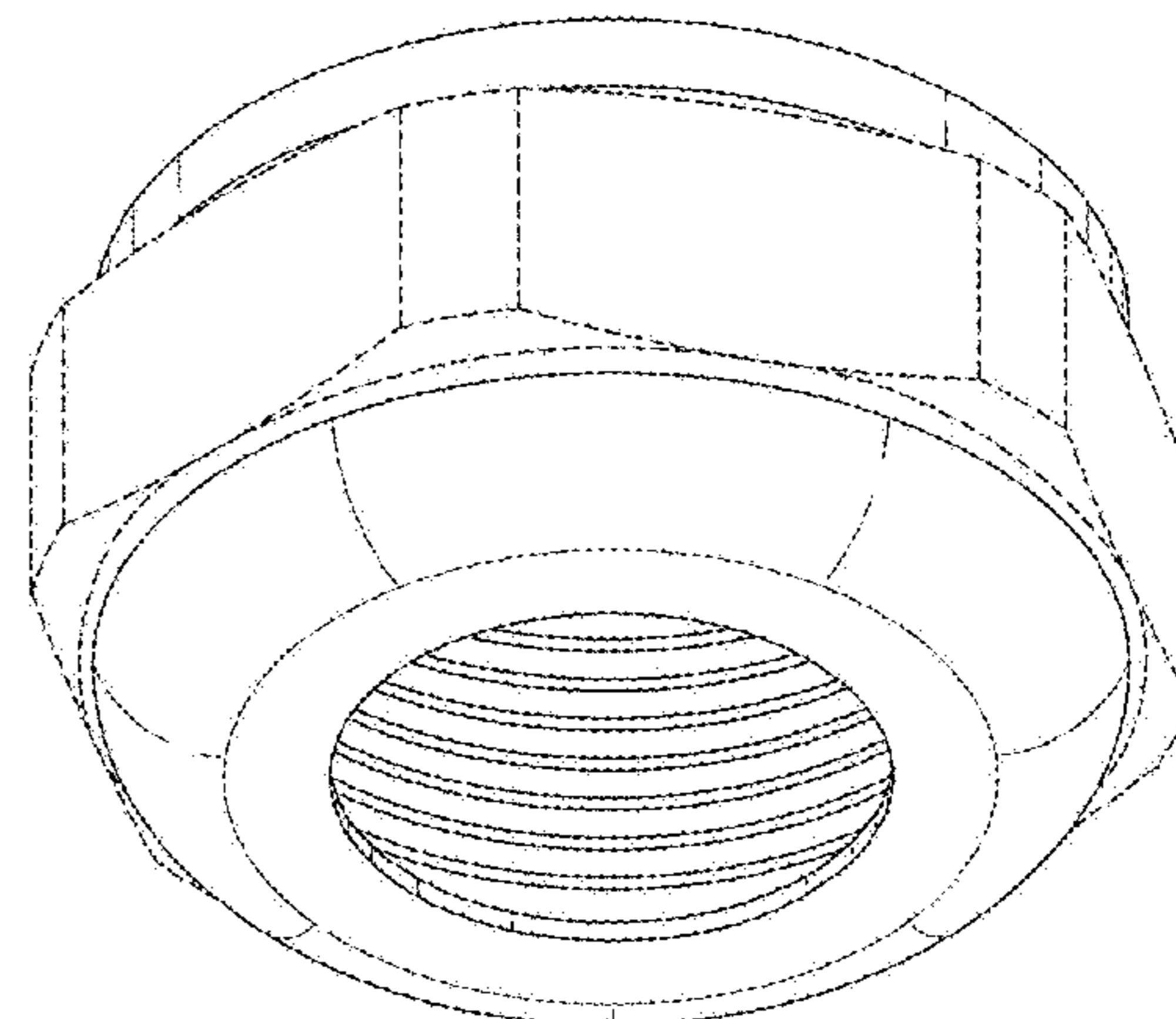
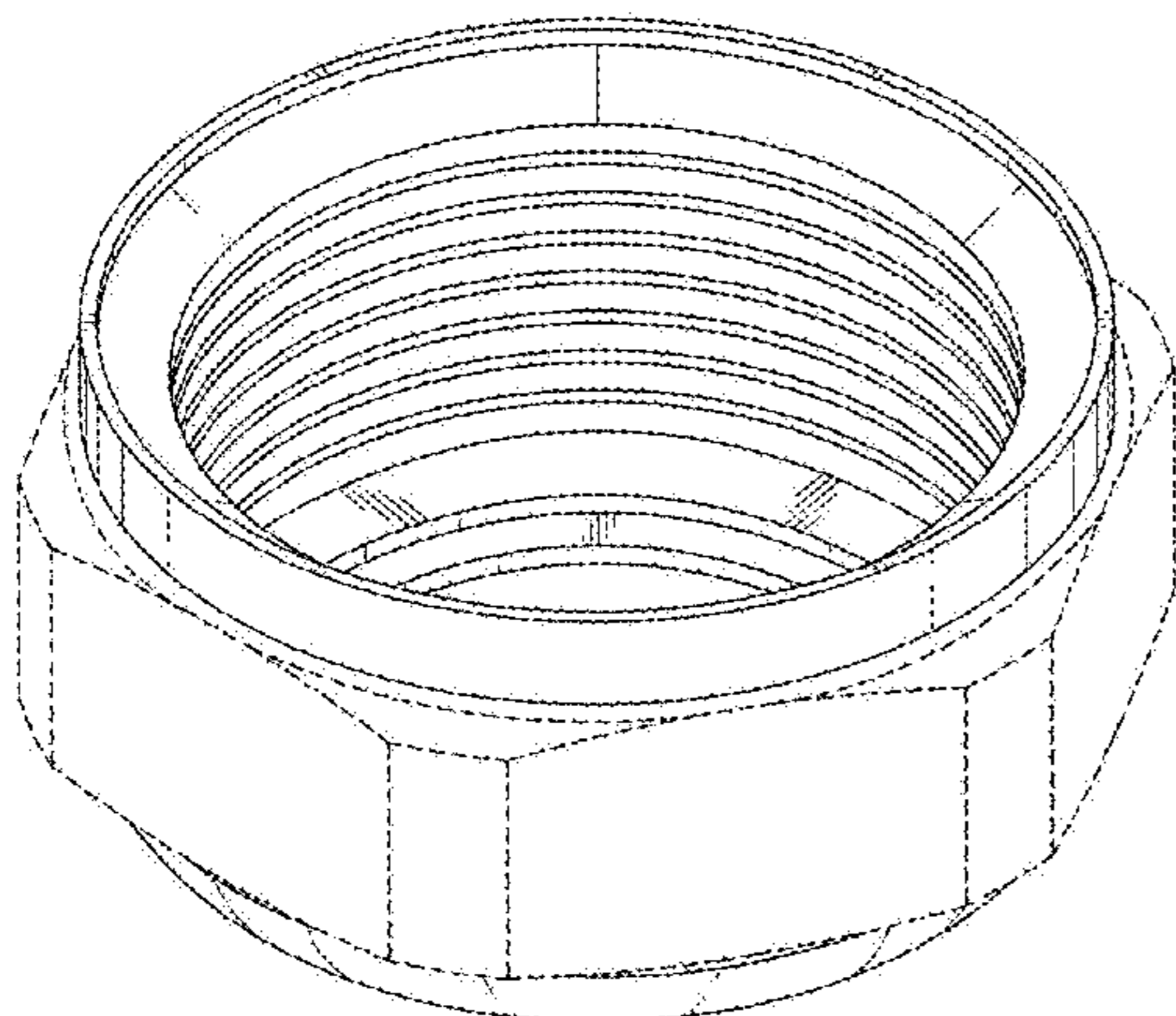
FIG. 4 is a bottom, right, rear perspective view thereof;

FIG. 5 is a front elevational view thereof, with the rear elevational view being identical thereto; and,

FIG. 6 is a right side elevational view thereof, with the left side elevational view being identical thereto.

The broken lines represent portions of the structure that forms no part of the claim.

1 Claim, 6 Drawing Sheets



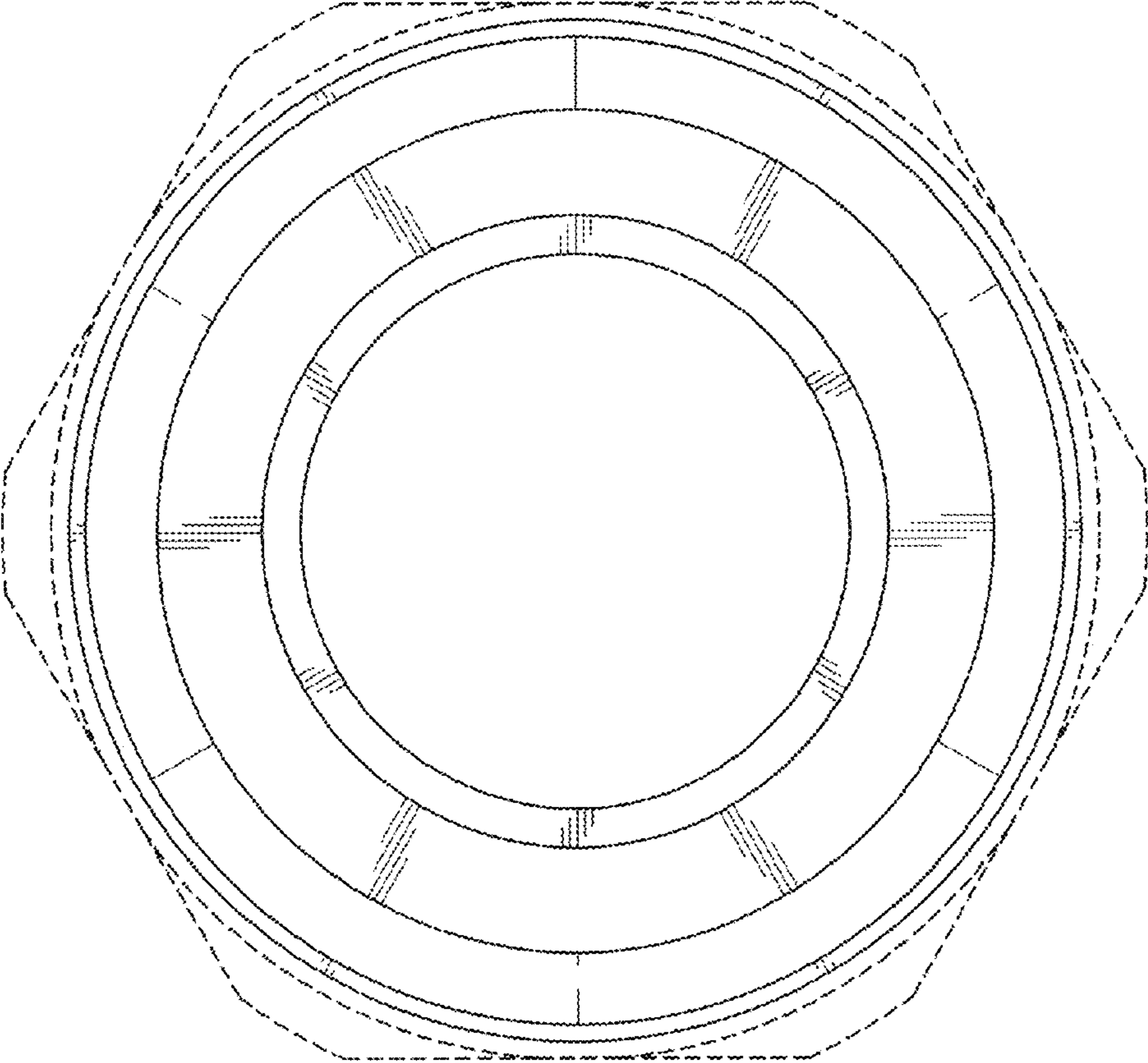


Fig. 1

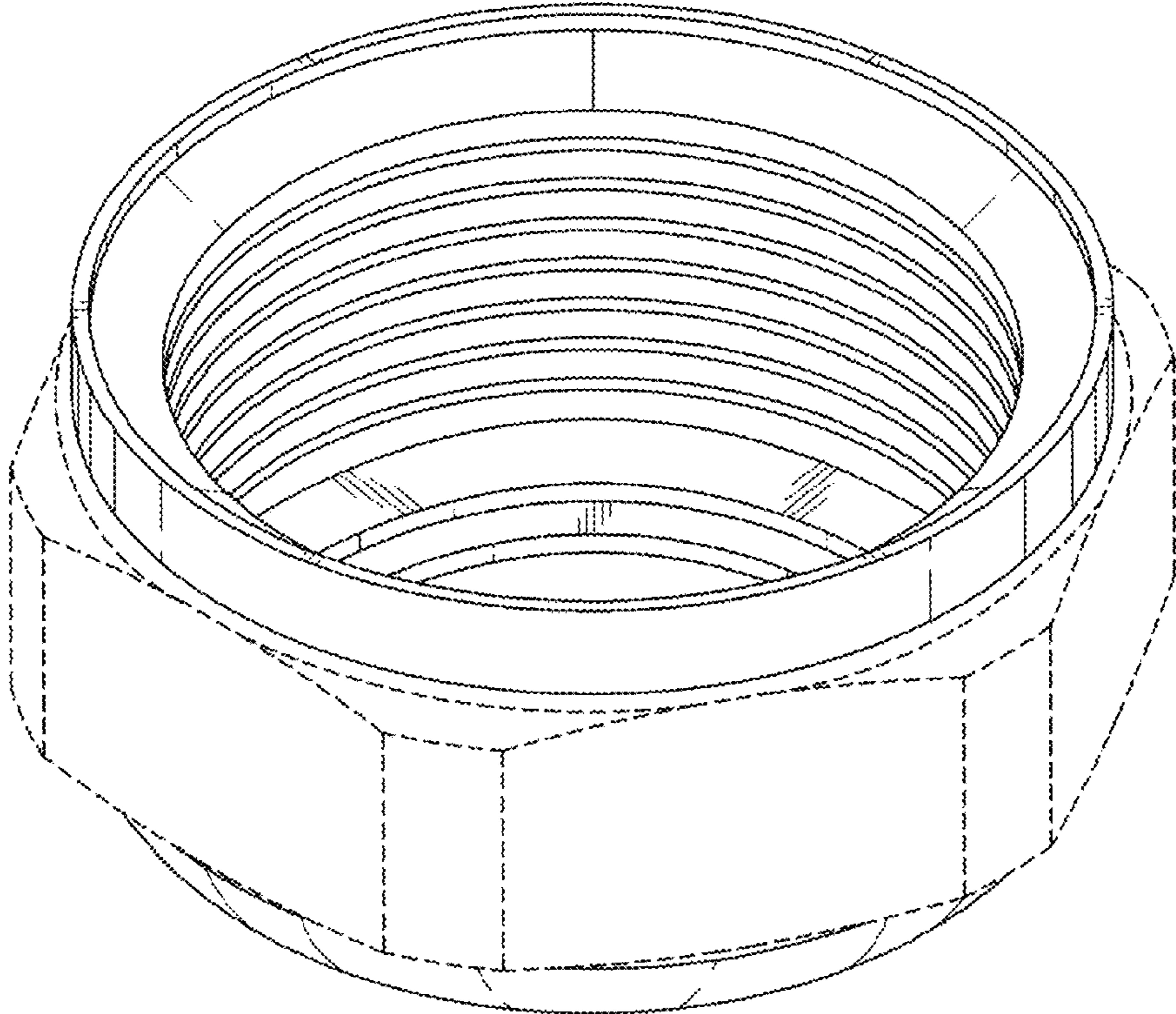


Fig. 2

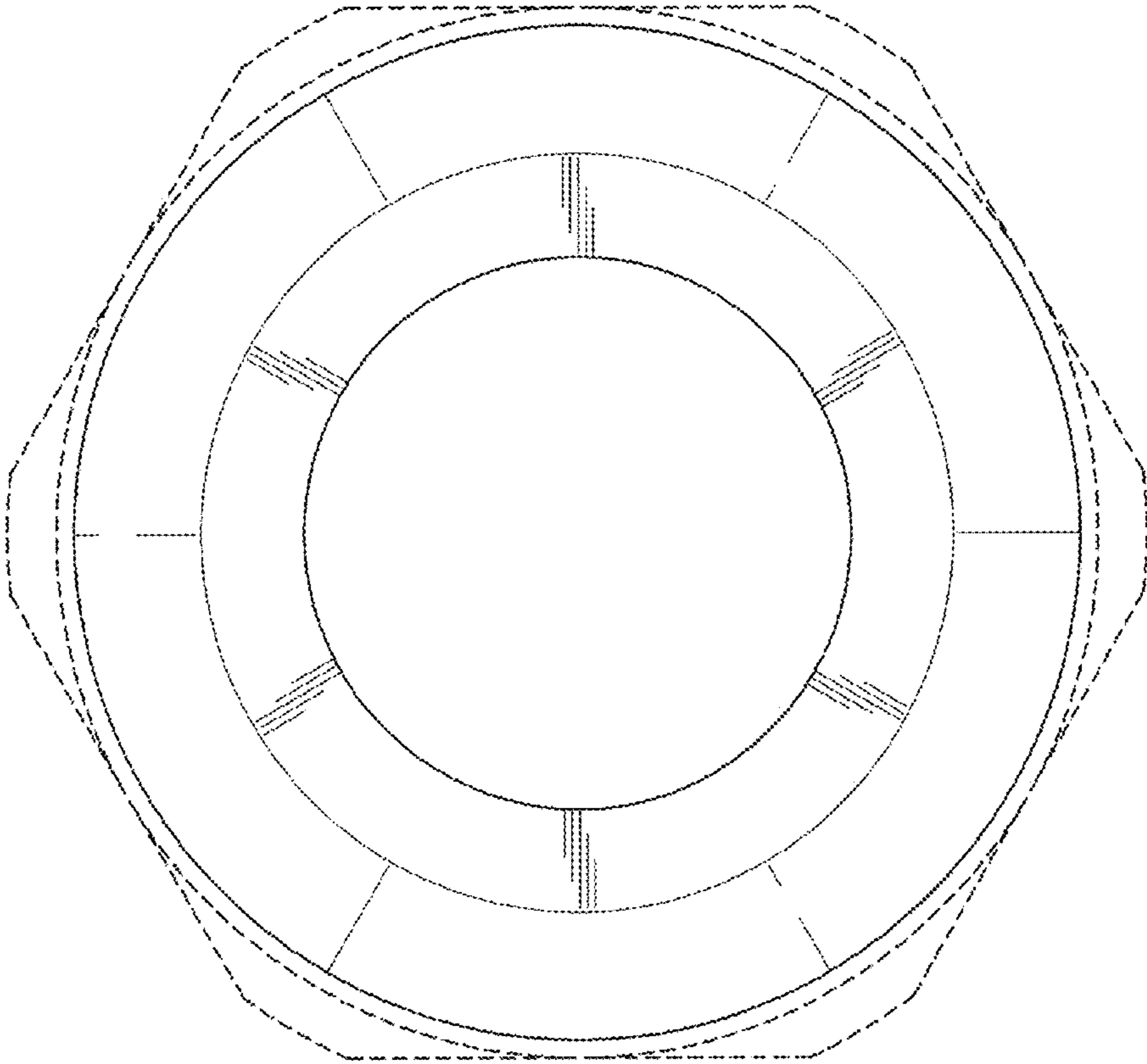


Fig. 3

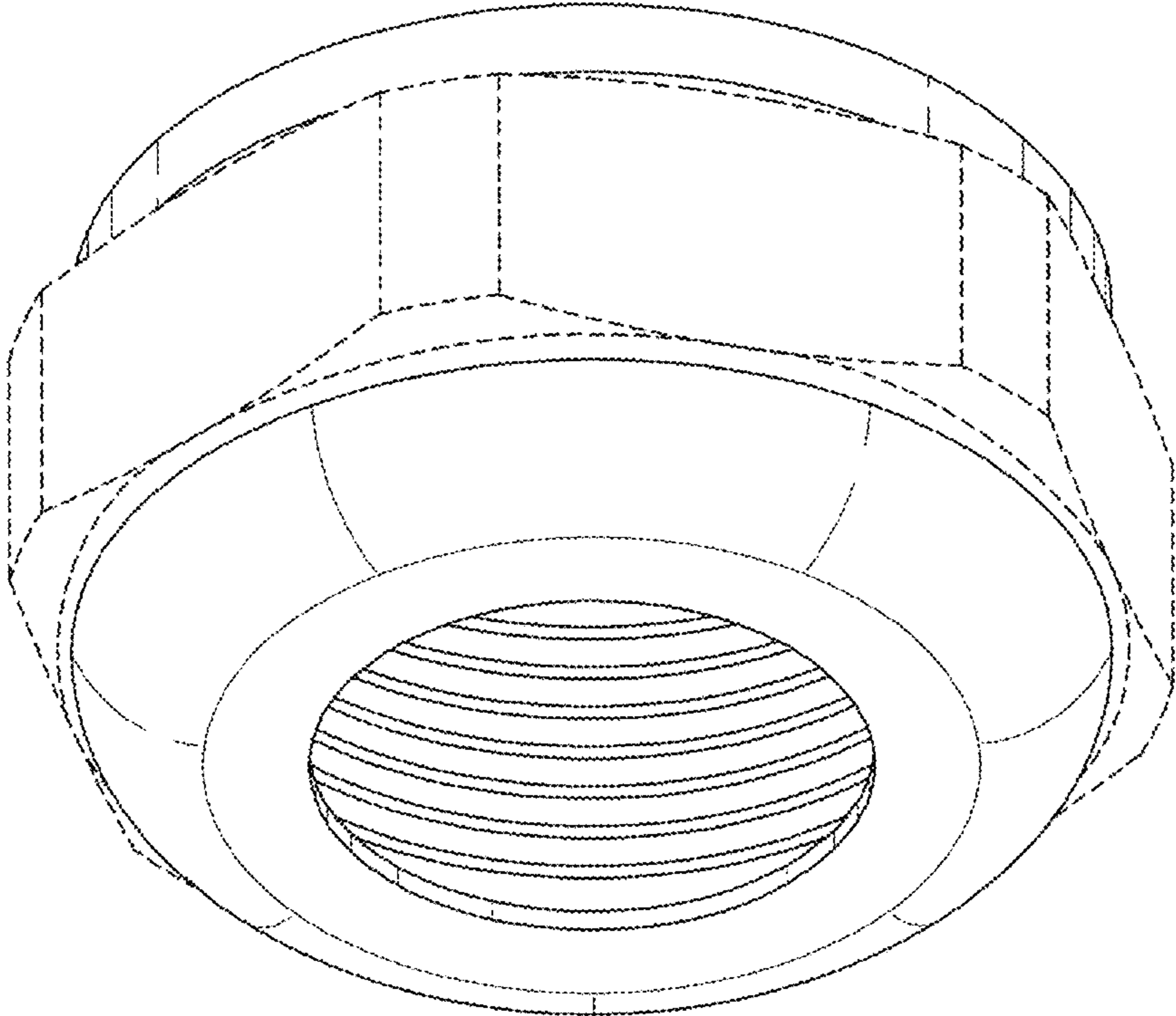


Fig. 4

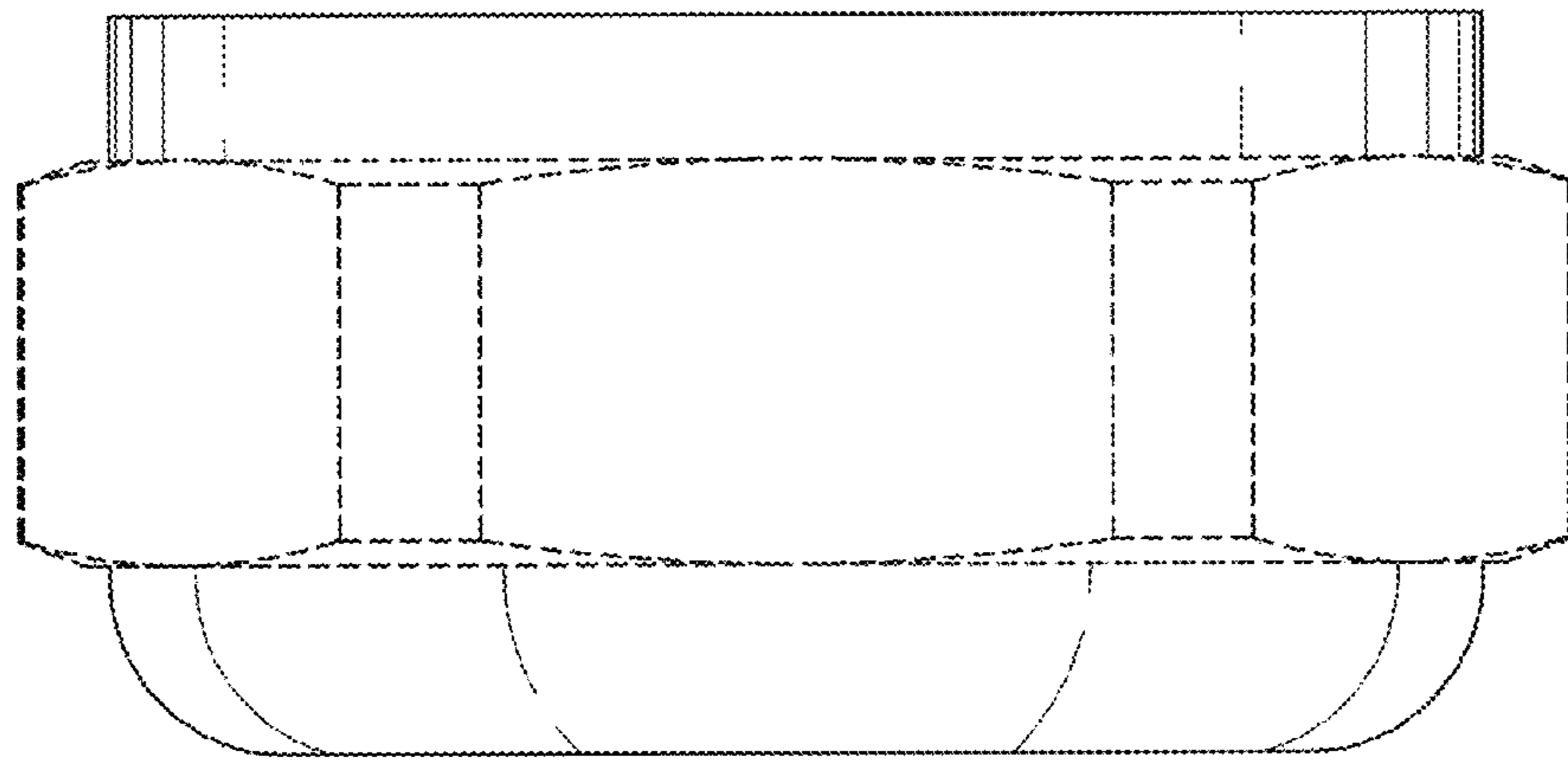


Fig. 5

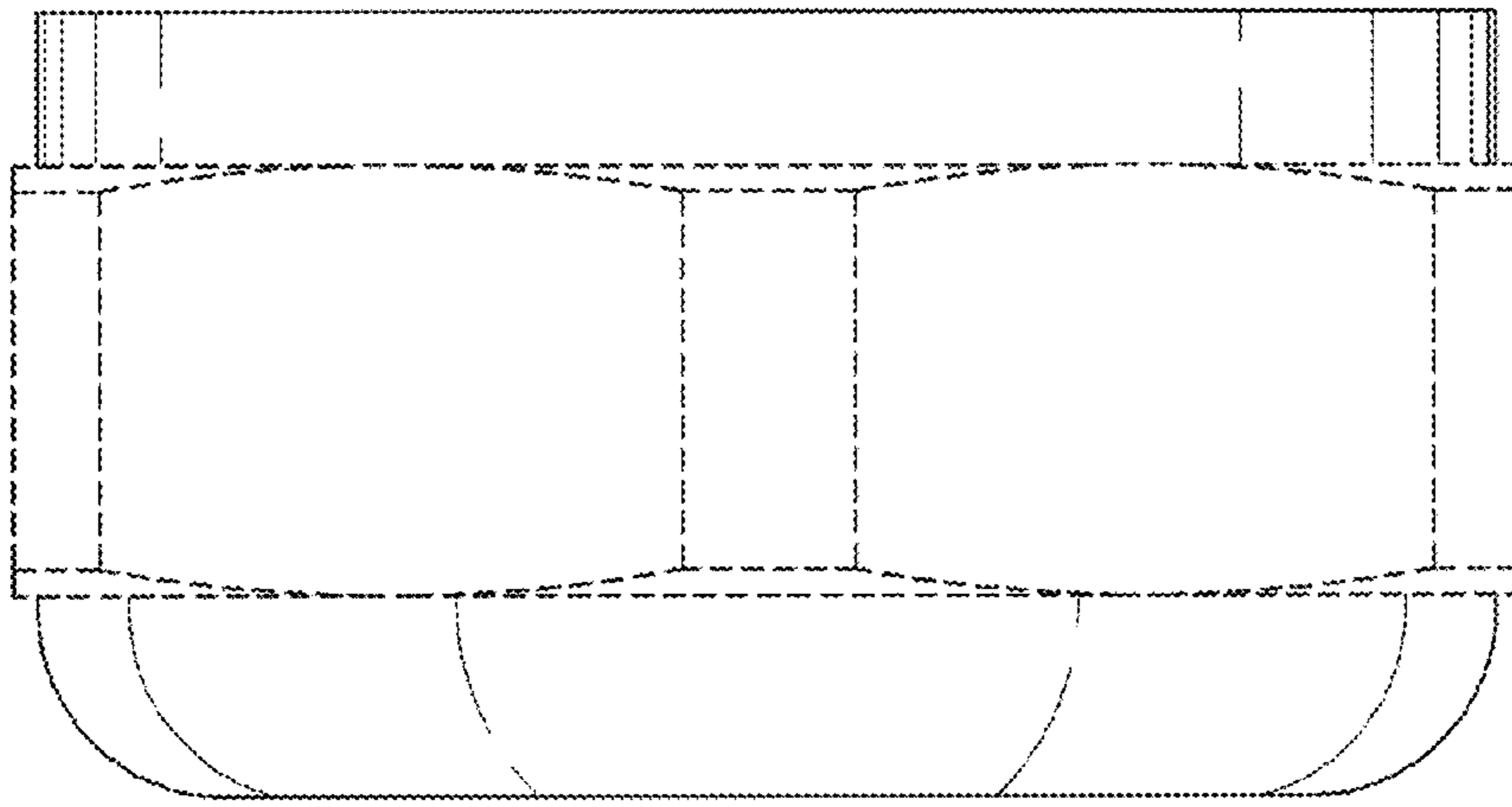


Fig. 6