



US00D728353S

(12) **United States Design Patent**
Sharratt et al.

(10) **Patent No.:** **US D728,353 S**
(45) **Date of Patent:** **** May 5, 2015**

(54) **APPLIANCE SLIDER**
(71) Applicant: **Waxman Consumer Products Group Inc.**, Bedford Heights, OH (US)

3,183,545 A 5/1965 Bergstrom
5,081,740 A 1/1992 Smith
5,615,450 A 4/1997 Butler

(Continued)

(72) Inventors: **Jason A. Sharratt**, Wadsworth, OH (US); **Andrew Logar**, Willowick, OH (US); **Jacob Meyers**, Fairview Park, OH (US)

FOREIGN PATENT DOCUMENTS

EP 733323 A1 9/1996
FR 2762496 A1 10/1998

(73) Assignee: **Waxman Consumer Products Group Inc.**, Bedford Heights, OH (US)

OTHER PUBLICATIONS

International Search Report dated Nov. 26, 2013 and Written Opinion of the International Searching Authority dated Nov. 26, 2013 for PCT International Application No. PCT/US2013/048579, filed Jun. 28, 2013. PCT International Application No. PCT/US2013/048579 corresponds to and claims priority from the co-pending (U.S. Appl. No. 61/666,519, filed Jun. 29, 2012) and co-pending (U.S. Appl. No. 29/448,832, filed Mar. 15, 2013) and co-pending (U.S. Appl. No. 61/798,803, filed Mar. 15, 2013) of the present application. (13 pages).

(**) Term: **14 Years**

Primary Examiner — Robert M Spear
Assistant Examiner — Eliza Bennett-Hattan

(21) Appl. No.: **29/483,866**

(22) Filed: **Mar. 4, 2014**

(74) *Attorney, Agent, or Firm* — Tarolli, Sundheim, Covell & Tummino LLP

(51) **LOC (10) Cl.** **08-05**

(52) **U.S. Cl.**
USPC **D8/374**

(58) **Field of Classification Search**
CPC A47C 19/005; A47C 19/04
USPC D8/383, 374, 300, 303, 313, 314, 394,
D8/395, 396; 24/136 K, 130, 136 R; 42/50;
5/205, 224; 403/314; 248/328;
D13/133; D22/108

(57) **CLAIM**
The ornamental design for an appliance slider, as shown and described.

See application file for complete search history.

DESCRIPTION

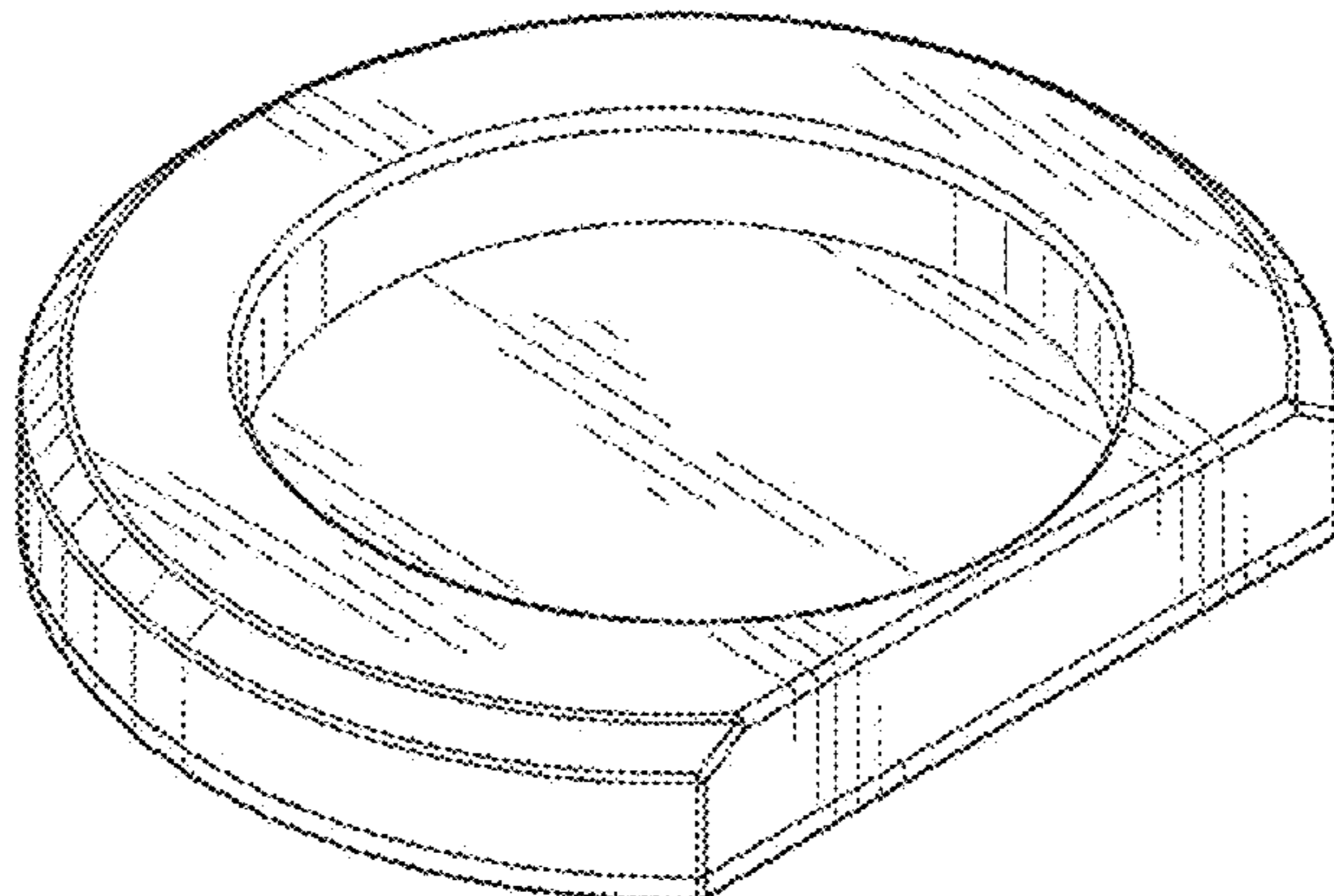
(56) **References Cited**

U.S. PATENT DOCUMENTS

1,208,546 A 12/1916 Hachmann
1,804,437 A 5/1931 Rice
1,849,570 A 3/1932 Duncan, Jr.
1,954,130 A 4/1934 Sigfried
1,981,728 A 11/1934 Harris
2,195,817 A * 4/1940 Johnson 2/24
2,206,120 A 7/1940 Peterson
2,283,978 A 5/1942 Eberle
2,584,295 A 2/1952 Sanzenbacher
2,953,180 A 9/1960 Kyles

FIG. 1 is a top, front perspective view of an appliance slider; FIG. 2 is a top, rear perspective view thereof; FIG. 3 is a bottom, front perspective view thereof; FIG. 4 is a bottom, rear perspective view thereof; FIG. 5 is a top plan view thereof; FIG. 6 is a bottom plan view thereof; FIG. 7 is a front elevation view thereof; FIG. 8 is a rear elevation view thereof; FIG. 9 is a right side elevation view thereof; and, FIG. 10 is a left side elevation view thereof.

1 Claim, 4 Drawing Sheets



(56)

References Cited

U.S. PATENT DOCUMENTS

D404,992 S *	2/1999	Sittig	D8/374	D660,136 S *	5/2012	Jarowenko	D8/374
D423,340 S *	4/2000	Sittig	D8/374	8,438,701 B2	5/2013	Bushey	
D486,726 S *	2/2004	Bushey	D8/374	8,667,645 B2	3/2014	Smith	
D492,190 S *	6/2004	Howe et al.	D8/374	D715,628 S *	10/2014	Meyers	D8/374
6,869,052 B2	3/2005	Keast et al.		2004/0051014 A1	3/2004	Keast et al.	
D513,381 S *	1/2006	Belec	D8/400	2007/0011845 A1	1/2007	Bushey et al.	
D649,442 S *	11/2011	Gardner	D8/374	2008/0179471 A1	7/2008	Verdelli	
				2010/0050389 A1	3/2010	Robinson et al.	
				2011/0191985 A1	8/2011	Hirth	

* cited by examiner

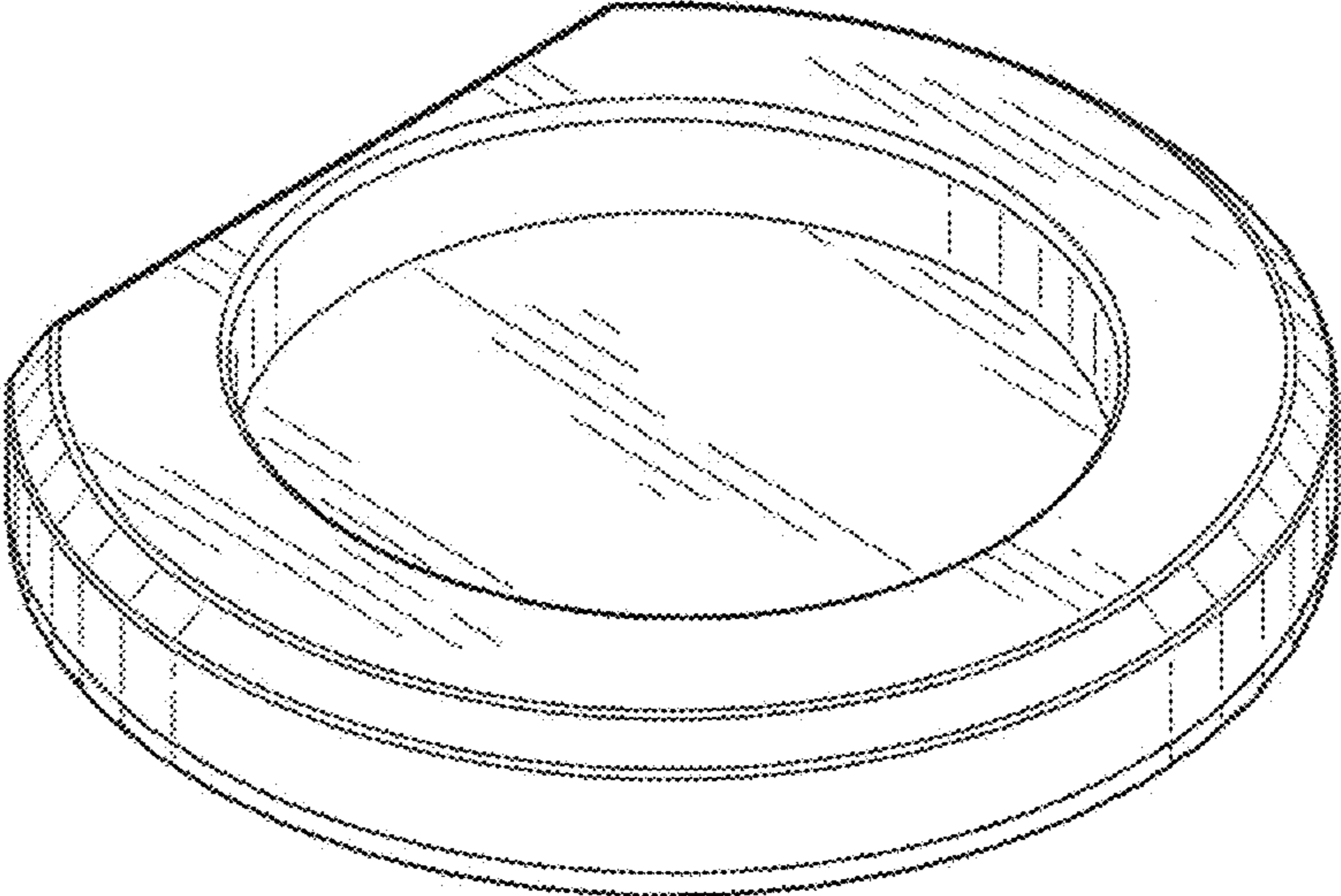


FIG. 1

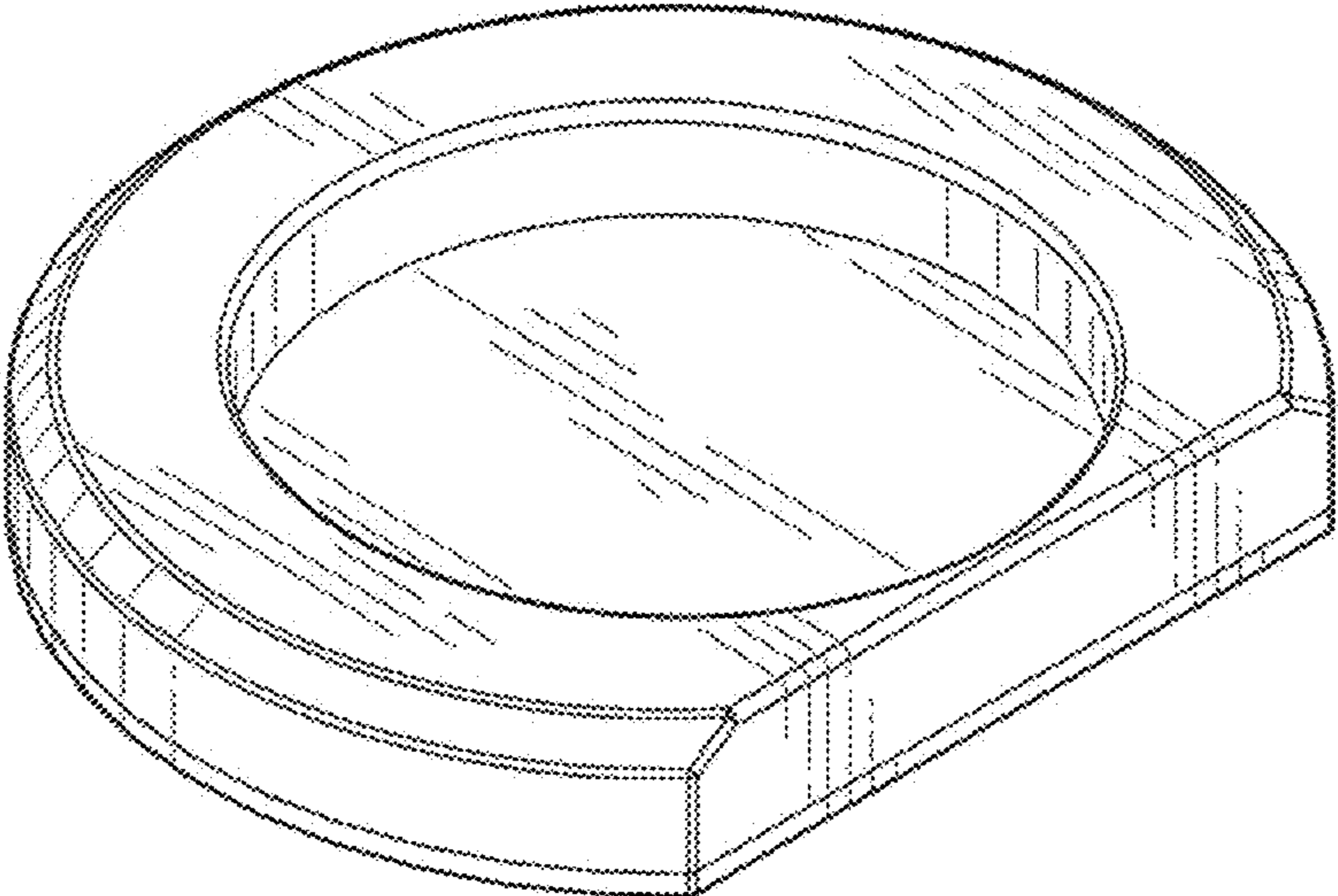


FIG. 2

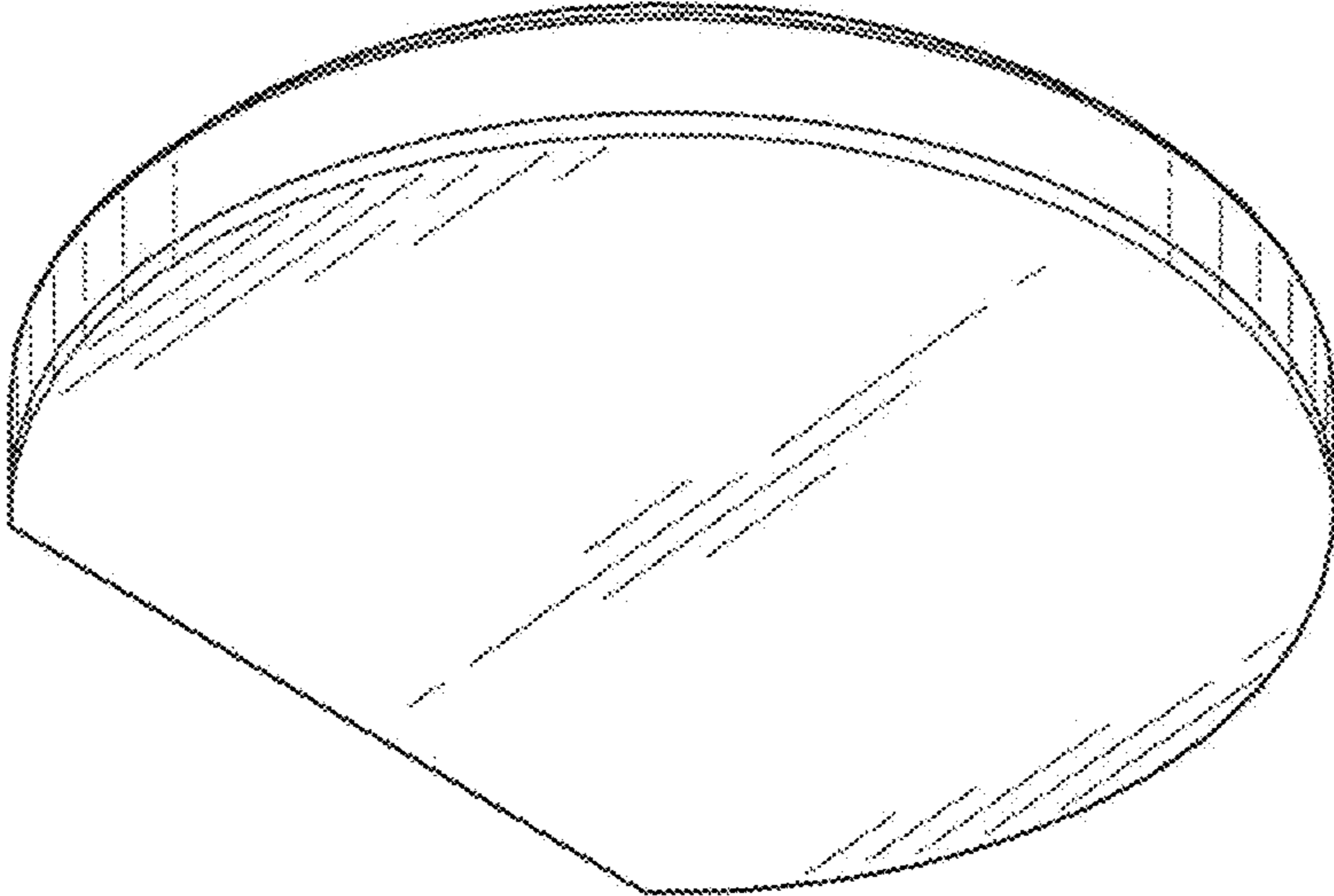


FIG. 3

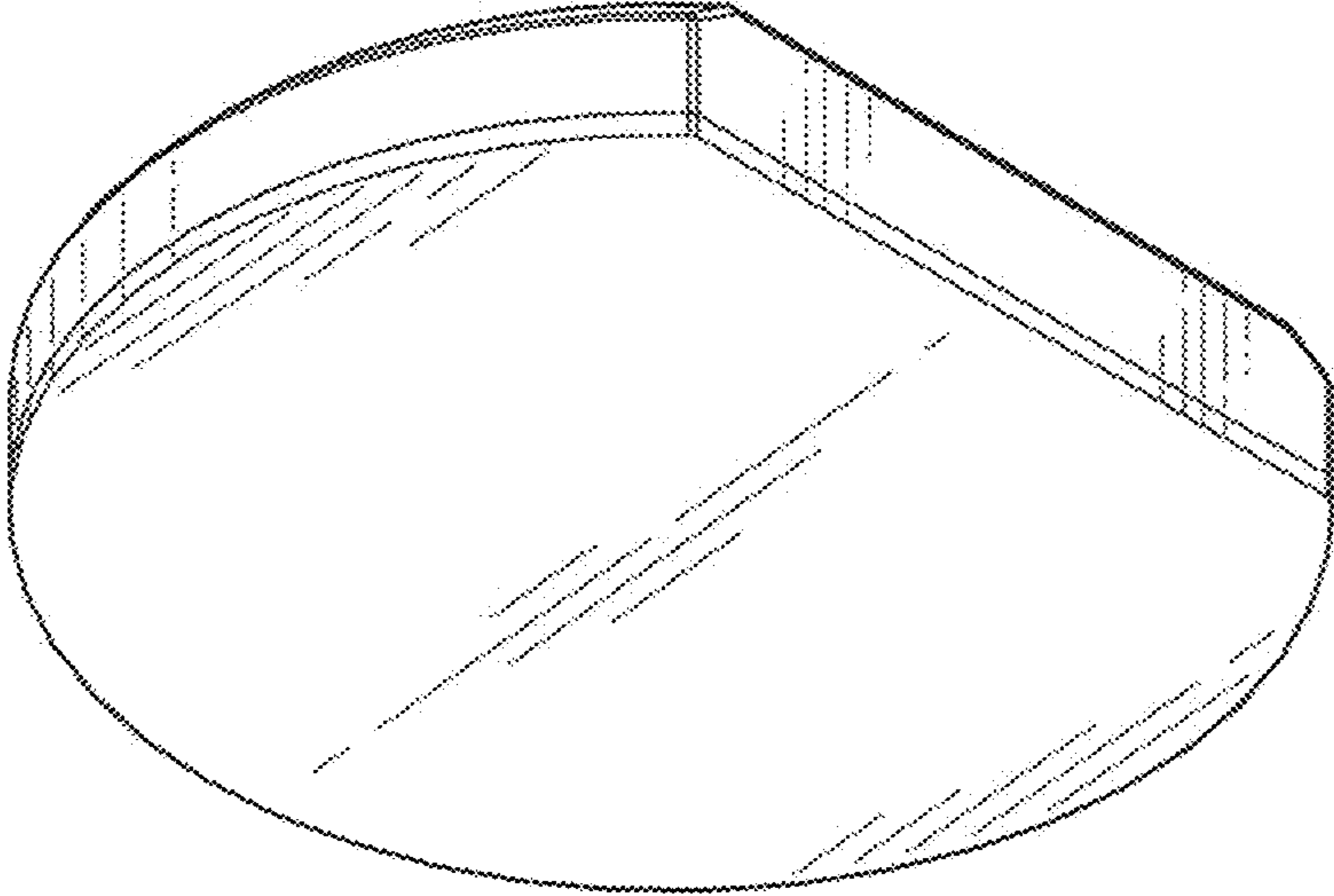


FIG. 4

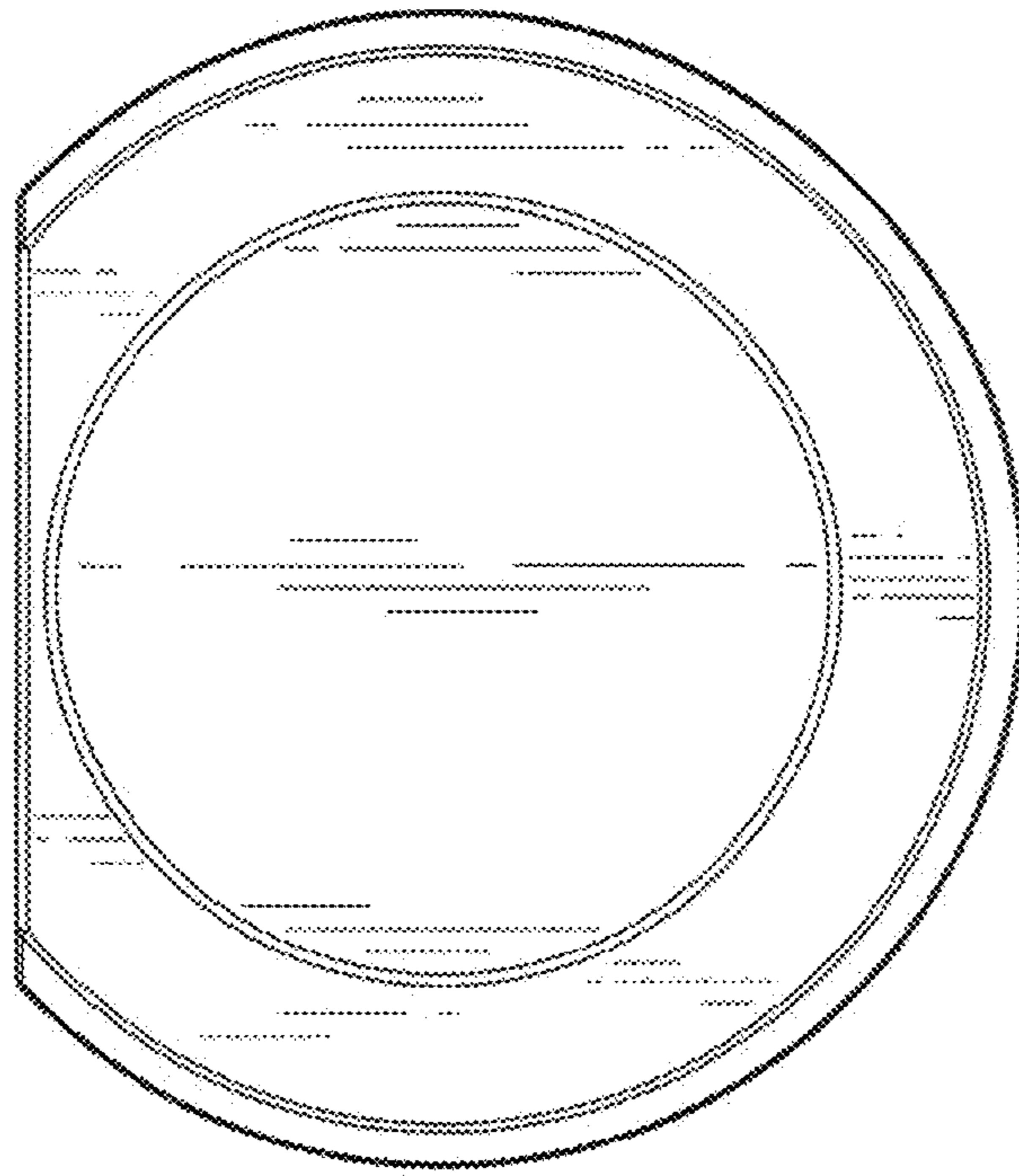


FIG. 5

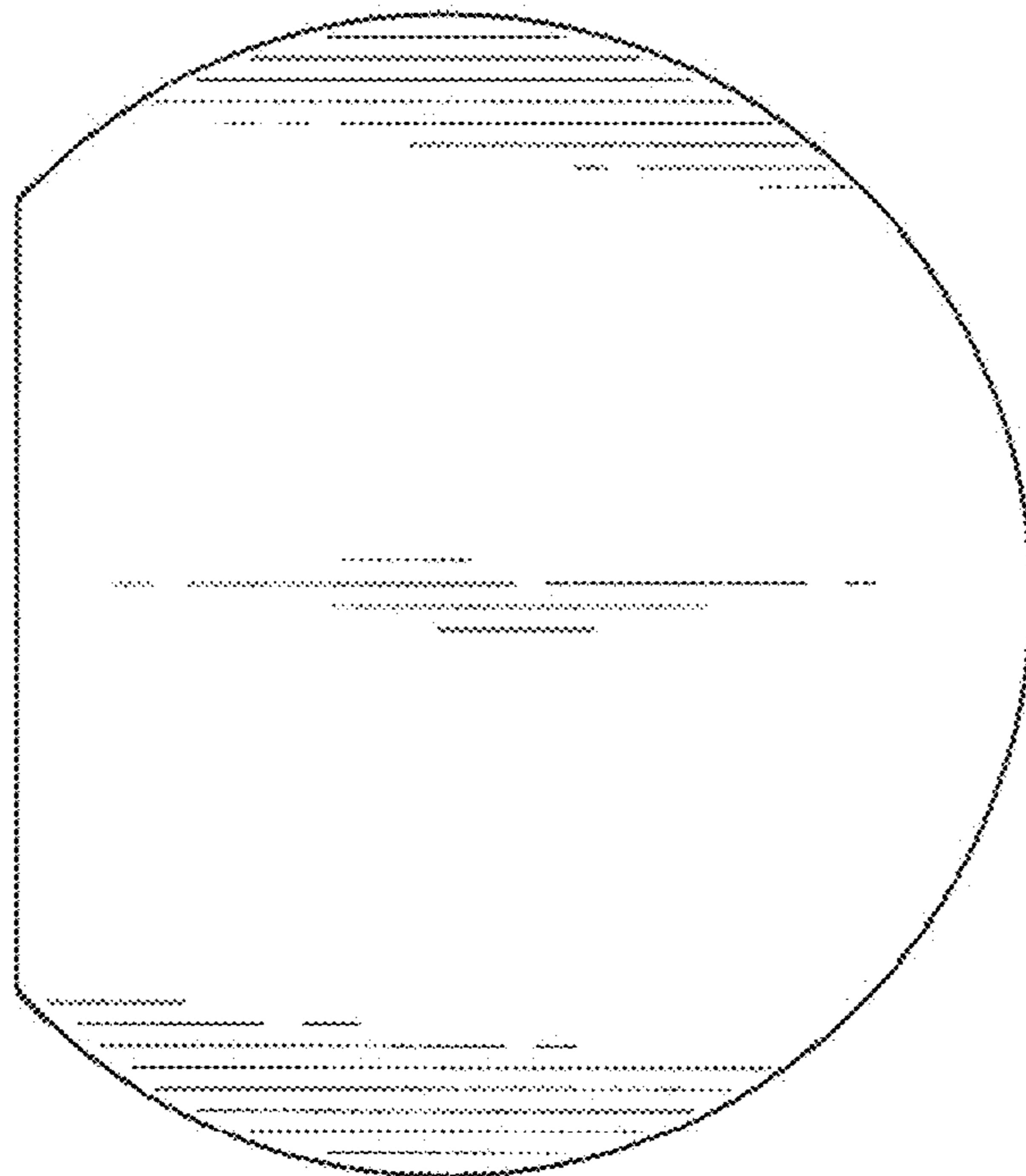


FIG. 6

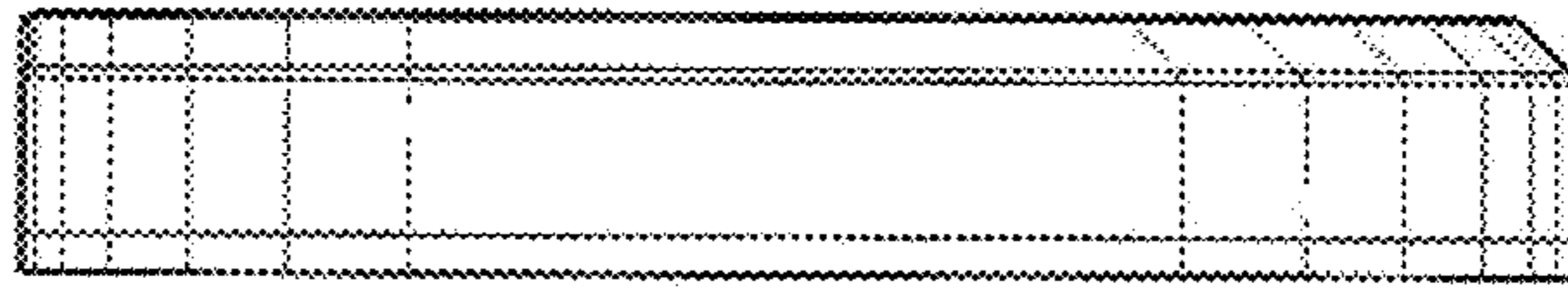


FIG. 7

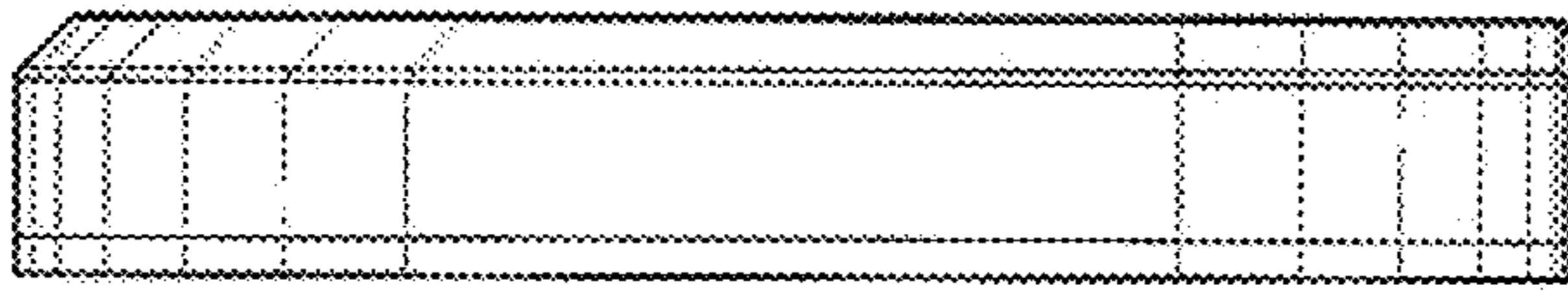


FIG. 8

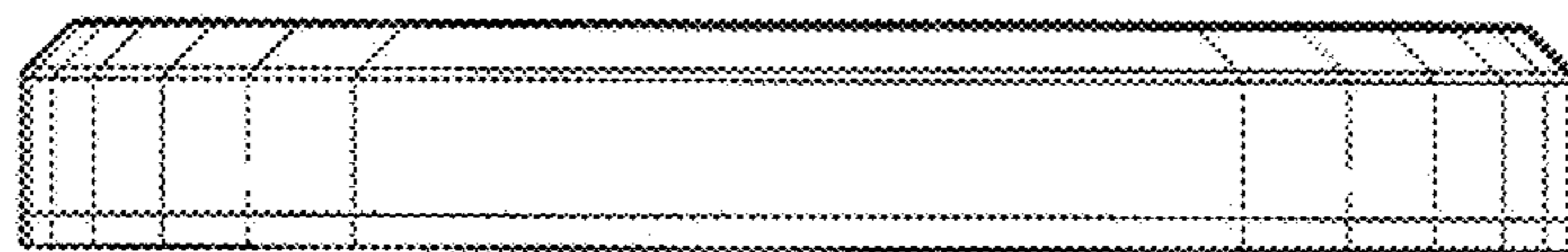


FIG. 9



FIG. 10