



US00D728352S

(12) **United States Design Patent**
Martinson

(10) **Patent No.:** **US D728,352 S**
(45) **Date of Patent:** **** May 5, 2015**

(54) **TRIANGULAR TWIST TIE HOLDER WITH A BONDED ADHESIVE STRIP**

(71) Applicant: **Nite Ize, Inc.**, Boulder, CO (US)
(72) Inventor: **Daniel J. Martinson**, Medina, MN (US)
(73) Assignee: **Nite Ize, Inc.**, Boulder, CO (US)

(**) Term: **14 Years**
(21) Appl. No.: **29/441,574**

(22) Filed: **Jan. 7, 2013**

(51) **LOC (10) Cl.** **08-05**

(52) **U.S. Cl.**
USPC **D8/373**

(58) **Field of Classification Search**
CPC B62H 3/12; A47G 25/28; A47G 29/00
USPC D8/373
See application file for complete search history.

(56) **References Cited**

U.S. PATENT DOCUMENTS

D616,292 S * 5/2010 Martinson D8/394

* cited by examiner

Primary Examiner — Holly Baynham

(57) **CLAIM**

The ornamental design for a triangular twist tie holder with a bonded adhesive strip, as shown and described.

DESCRIPTION

FIG. 1 is a front perspective view of a triangular twist tie holder with a bonded adhesive strip;
FIG. 2 is a rear perspective view of the triangular twist tie holder with a bonded adhesive strip of FIG. 1;
FIG. 3 is a front view of the triangular twist tie holder with a bonded adhesive strip of FIG. 1;
FIG. 4 is a rear view of the triangular twist tie holder with a bonded adhesive strip of FIG. 1;
FIG. 5 is a right side view of the triangular twist tie holder with a bonded adhesive strip of FIG. 1;
FIG. 6 is a left side view of the triangular twist tie holder with a bonded adhesive strip of FIG. 1;
FIG. 7 is a top view of the triangular twist tie holder with a bonded adhesive strip of FIG. 1; and,
FIG. 8 is a bottom view of the triangular twist tie holder with a bonded adhesive strip of FIG. 1.

1 Claim, 3 Drawing Sheets

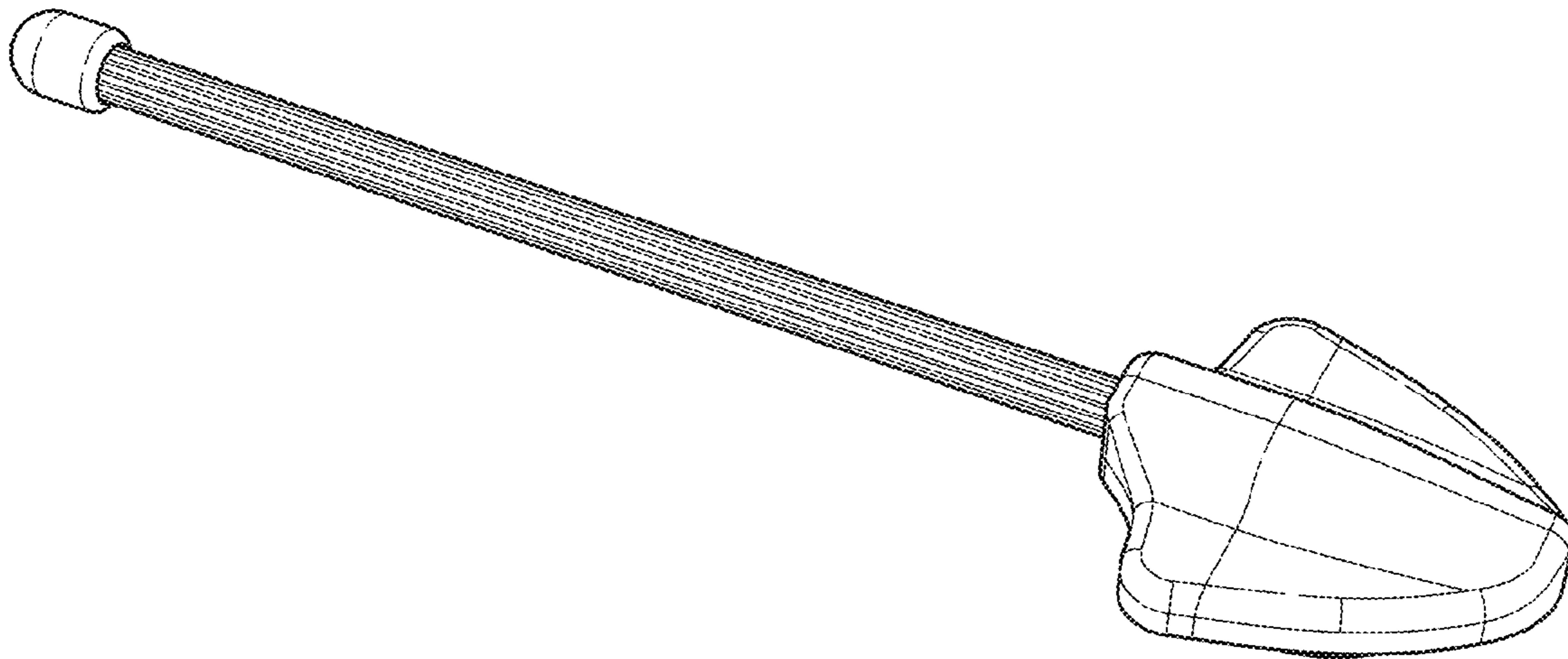


FIG. 1

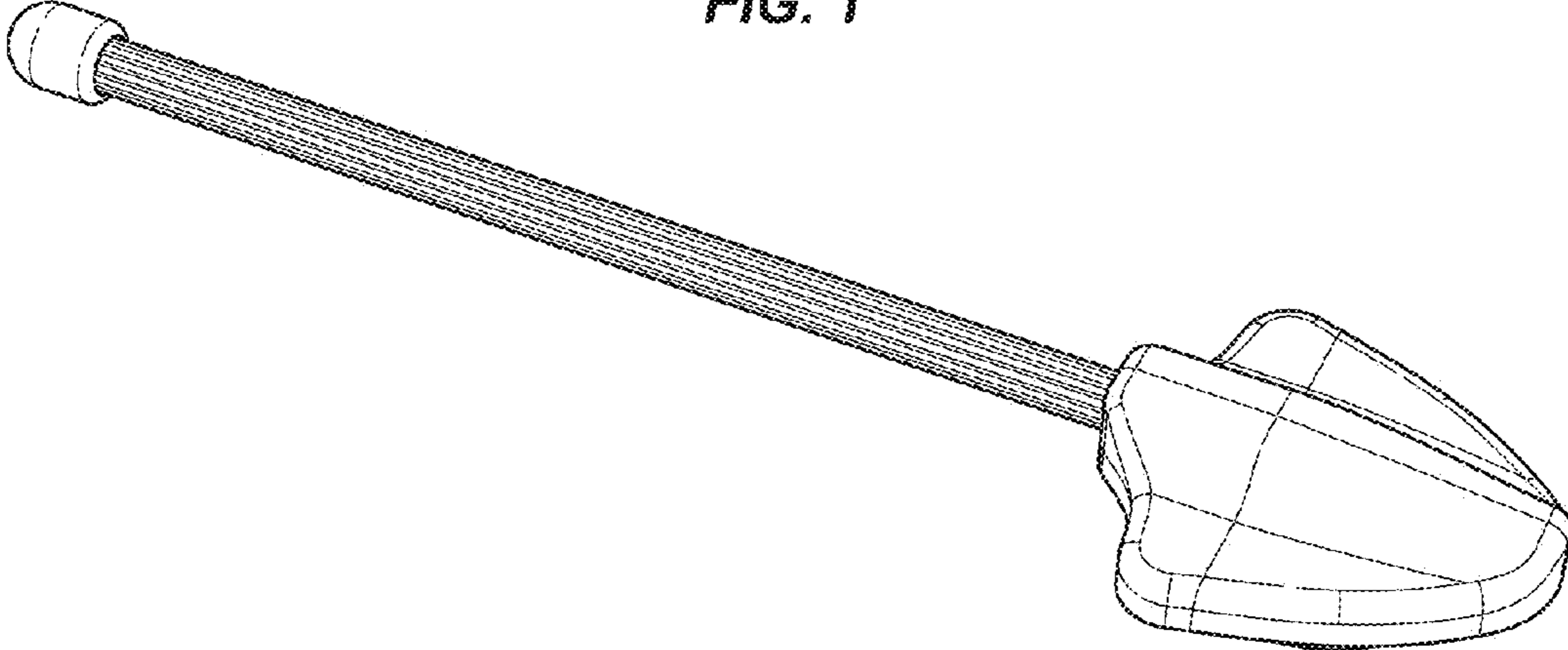


FIG. 2

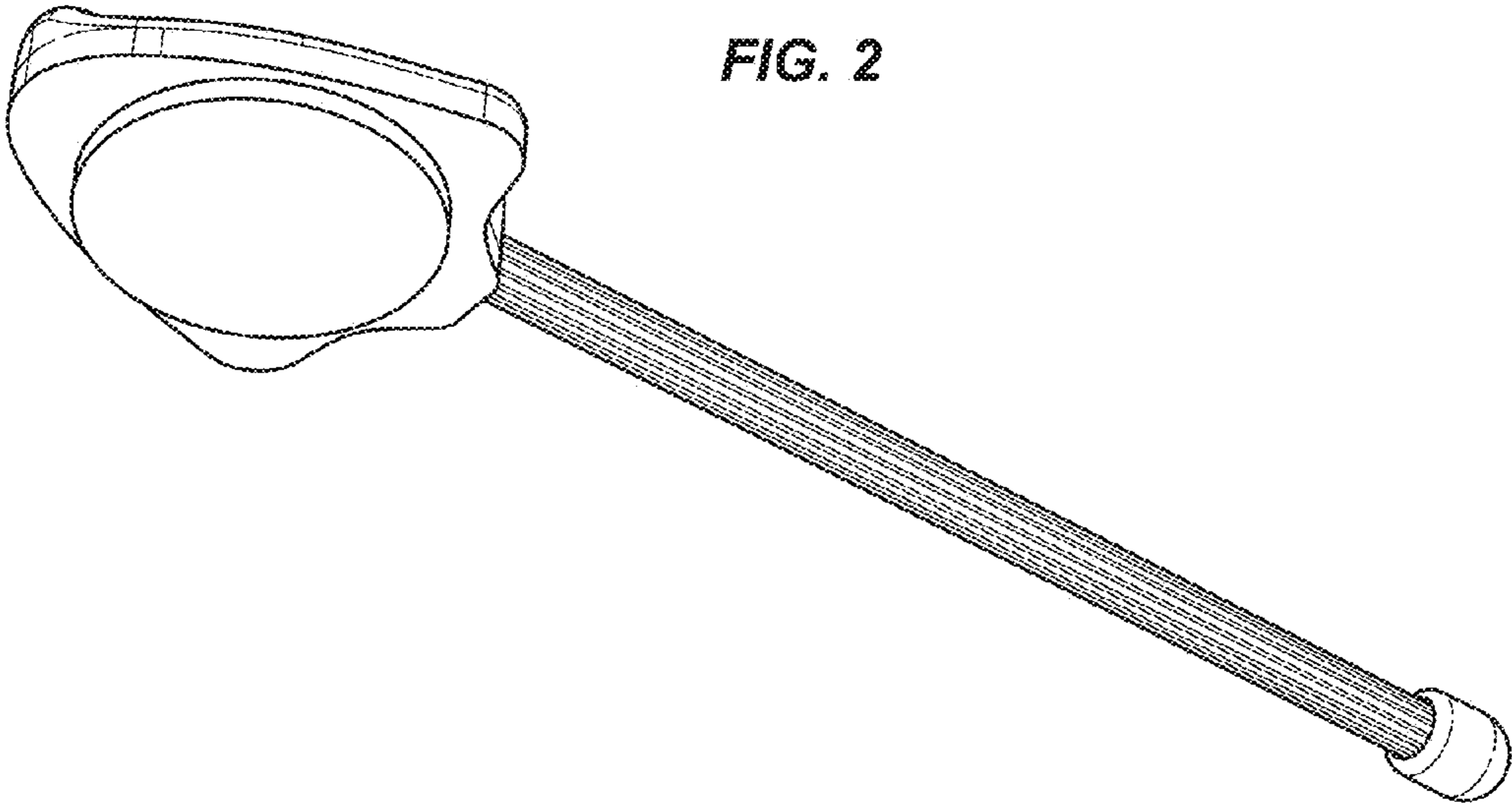


FIG. 3

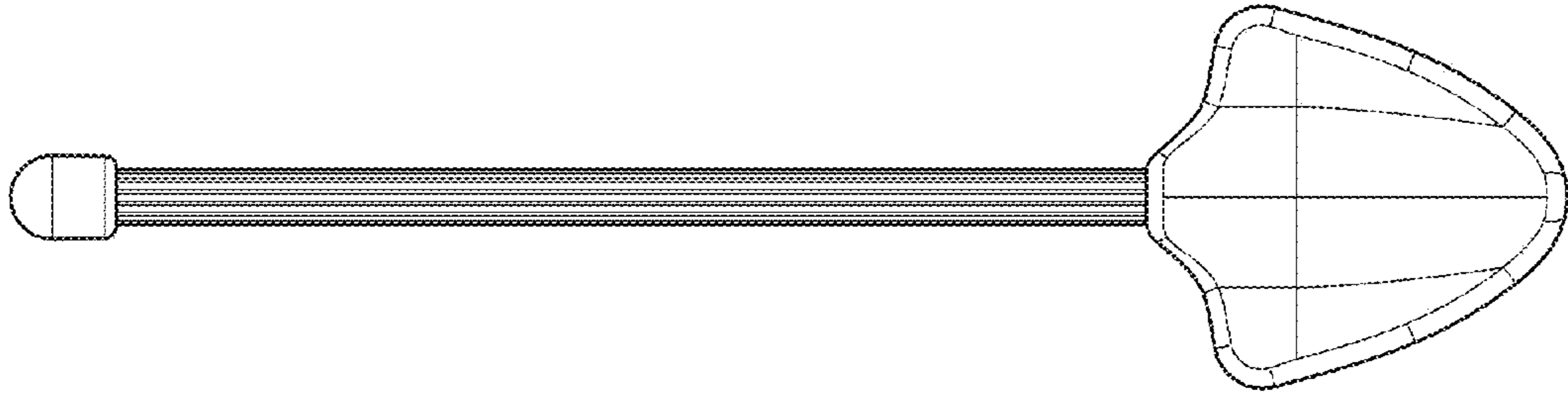


FIG. 4

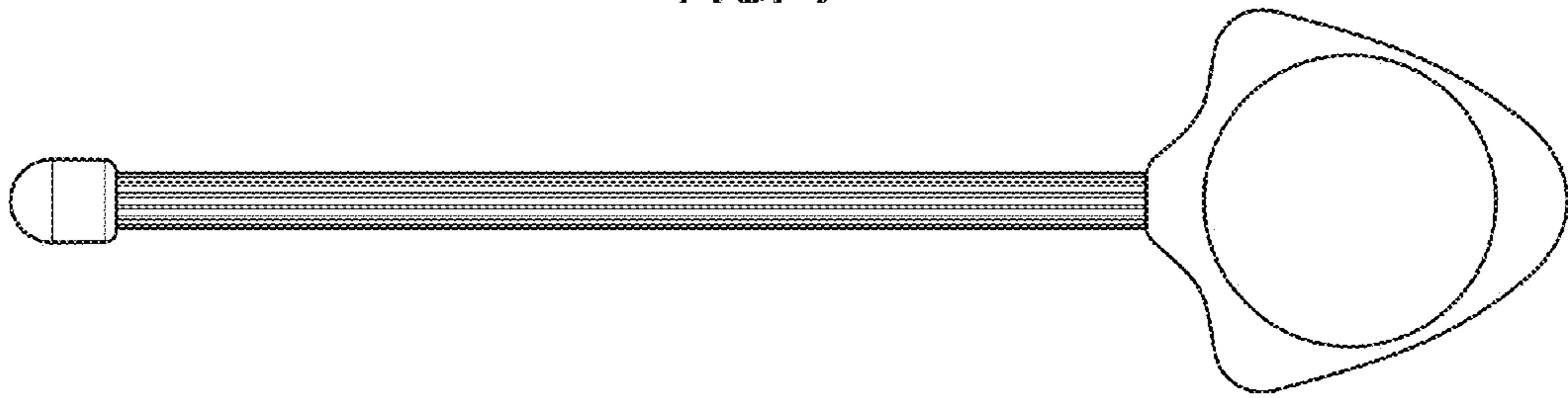


FIG. 5

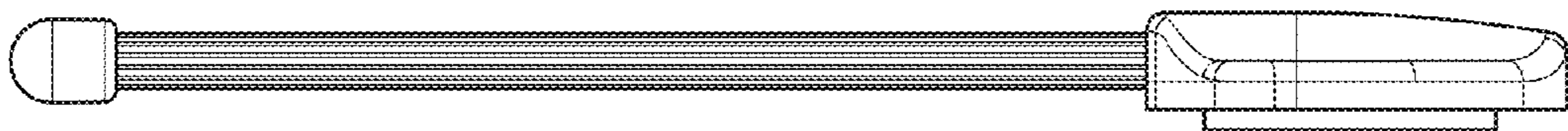


FIG. 6



FIG. 7

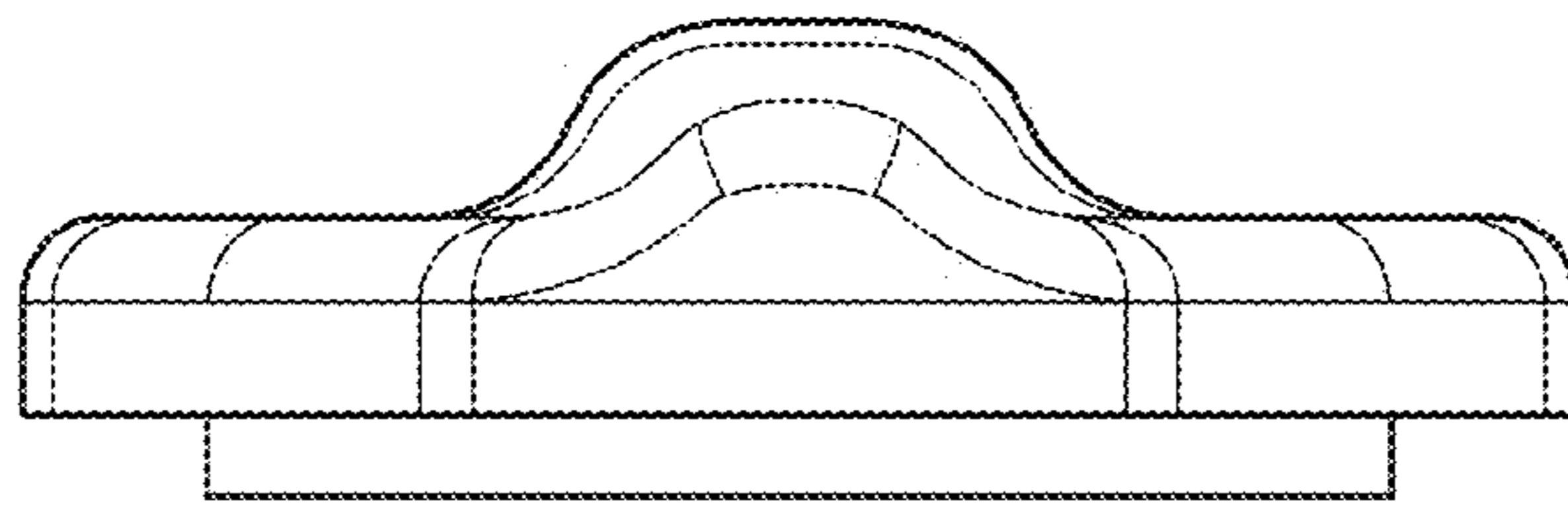


FIG. 8

