



US00D728351S

(12) **United States Design Patent**
Martinson

(10) **Patent No.:** **US D728,351 S**

(45) **Date of Patent:** **** May 5, 2015**

(54) **CIRCULAR TWIST TIE HOLDER WITH A BONDED ADHESIVE STRIP**

(71) Applicant: **Nite Ize, Inc.**, Boulder, CO (US)

(72) Inventor: **Daniel J. Martinson**, Medina, MN (US)

(73) Assignee: **Nite Ize, Inc.**, Boulder, CO (US)

(**) Term: **14 Years**

(21) Appl. No.: **29/441,572**

(22) Filed: **Jan. 7, 2013**

(51) **LOC (10) Cl.** **08-05**

(52) **U.S. Cl.**
USPC **D8/373**

(58) **Field of Classification Search**
CPC F16L 3/00; F16G 11/14
USPC D8/356; 24/16 PB, 17 AP, 30.5 P, 30.5 S
See application file for complete search history.

(56) **References Cited**

U.S. PATENT DOCUMENTS

D616,292 S * 5/2010 Martinson D8/394

* cited by examiner

Primary Examiner — Holly Baynham

(74) *Attorney, Agent, or Firm* — Squire Patton Boggs (US) LLP

(57) **CLAIM**

The ornamental design for a circular twist tie holder with a bonded adhesive strip, as shown and described.

DESCRIPTION

FIG. 1 is a front perspective view of a circular twist tie holder with a bonded adhesive strip;
FIG. 2 is a rear perspective view of the circular twist tie holder with a bonded adhesive strip of FIG. 1;
FIG. 3 is a front view of the circular twist tie holder with a bonded adhesive strip of FIG. 1;
FIG. 4 is a rear view of the circular twist tie holder with a bonded adhesive strip of FIG. 1;
FIG. 5 is a left side view of the circular twist tie holder with a bonded adhesive strip of FIG. 1;
FIG. 6 is a right side view of the circular twist tie holder with a bonded adhesive strip of FIG. 1;
FIG. 7 is a top view of the circular twist tie holder with a bonded adhesive strip of FIG. 1; and,
FIG. 8 is a bottom view of the circular twist tie holder with a bonded adhesive strip of FIG. 1.

1 Claim, 3 Drawing Sheets

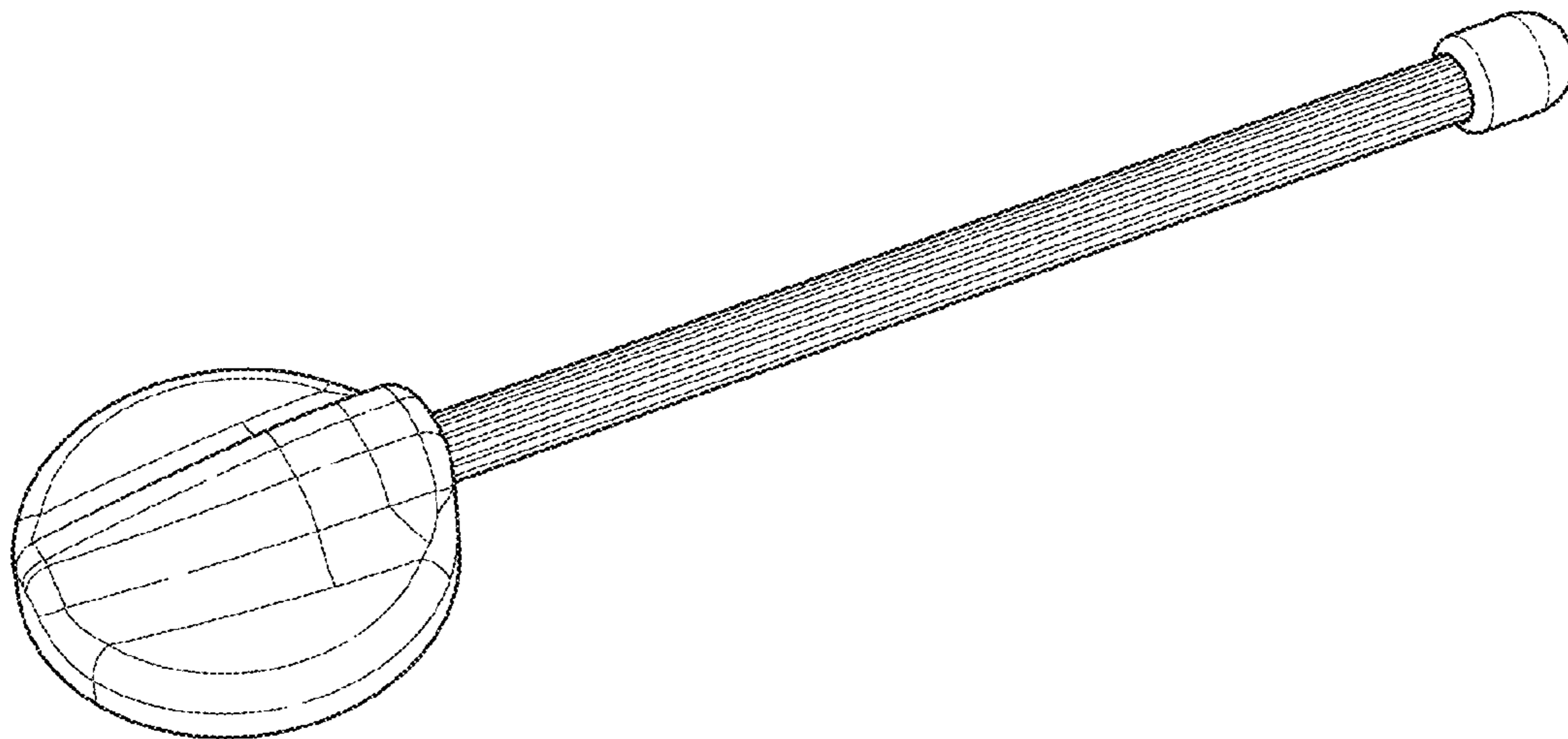


FIG. 1

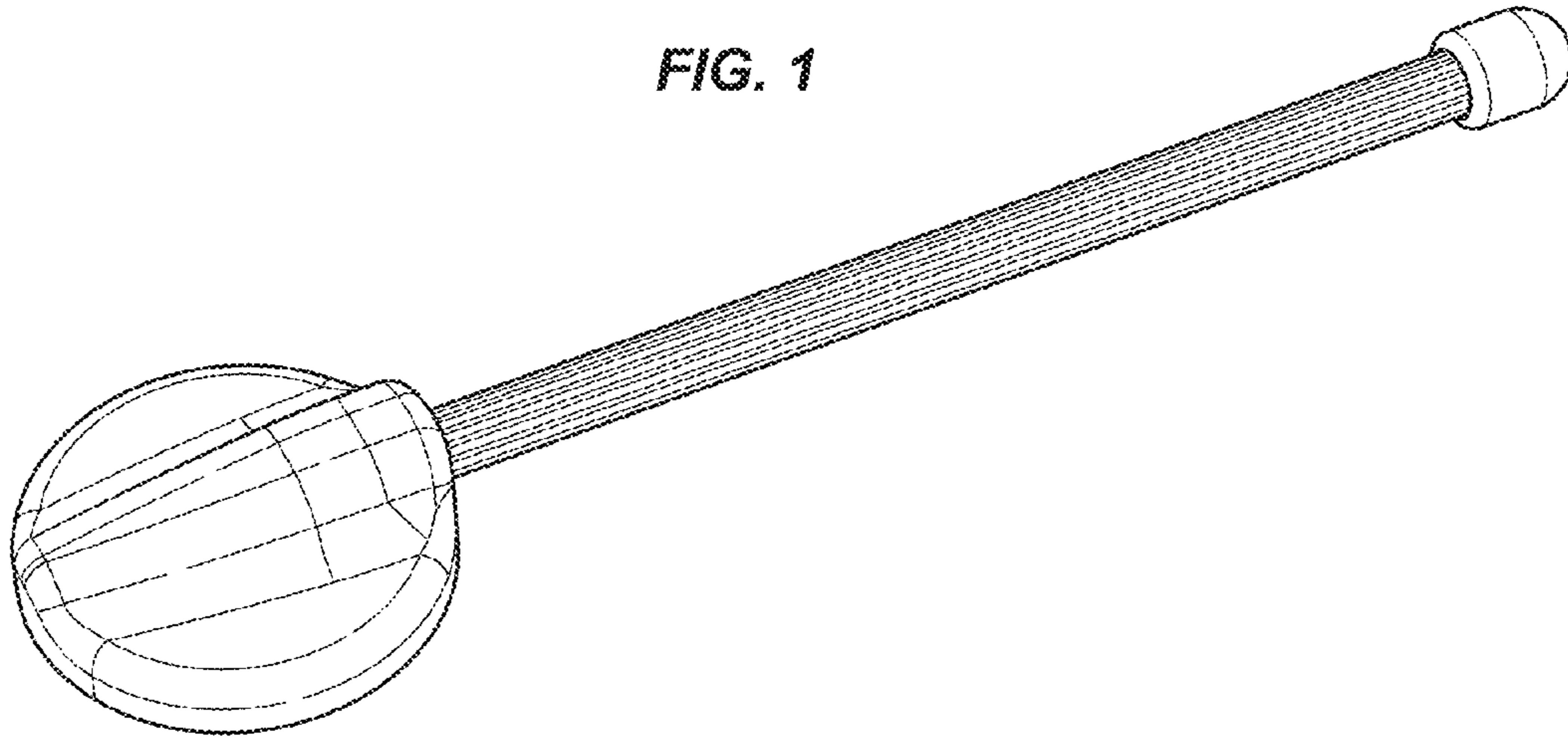


FIG. 2

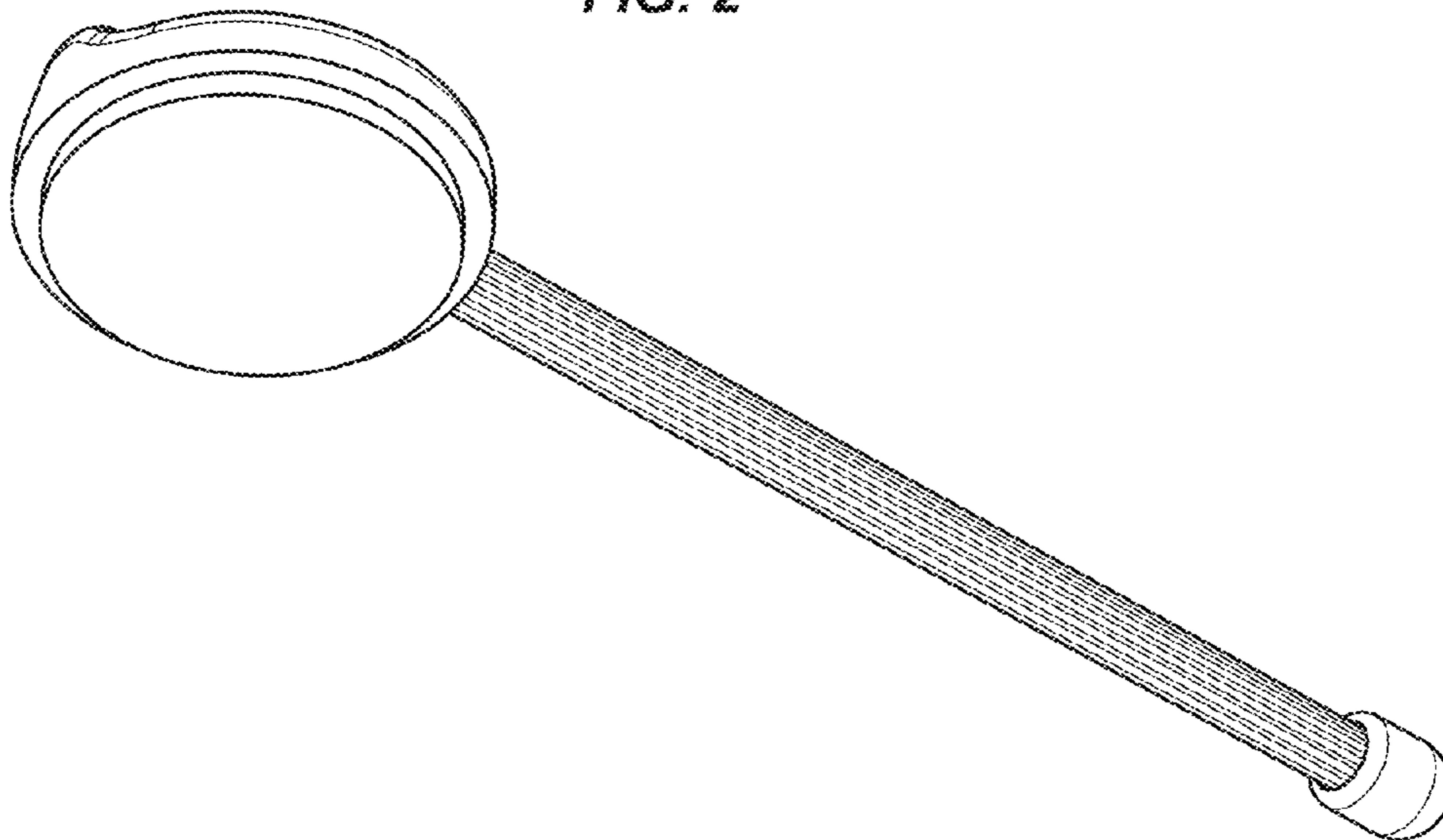


FIG. 3

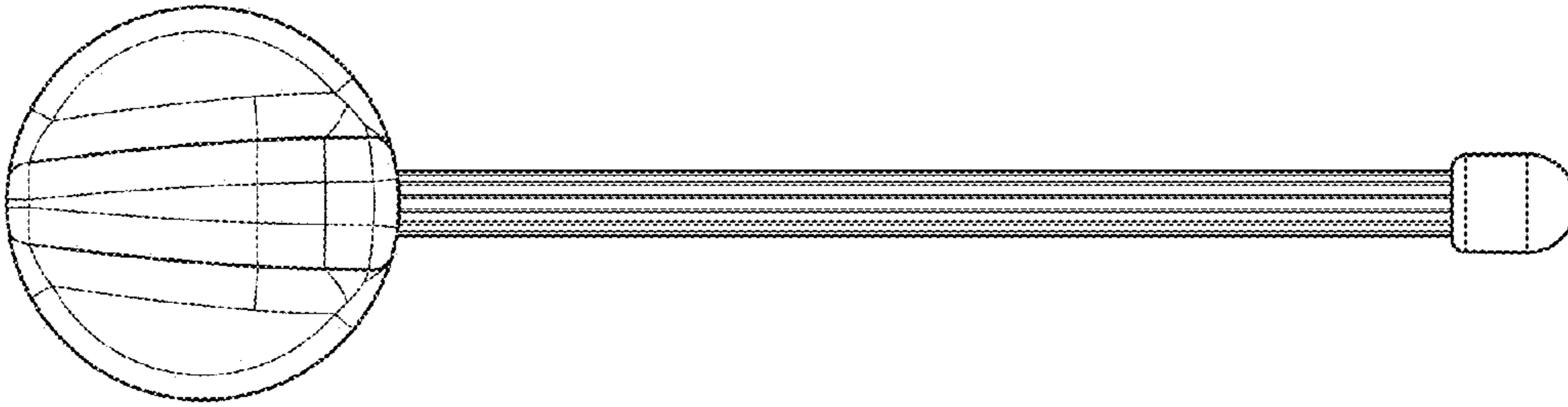


FIG. 4

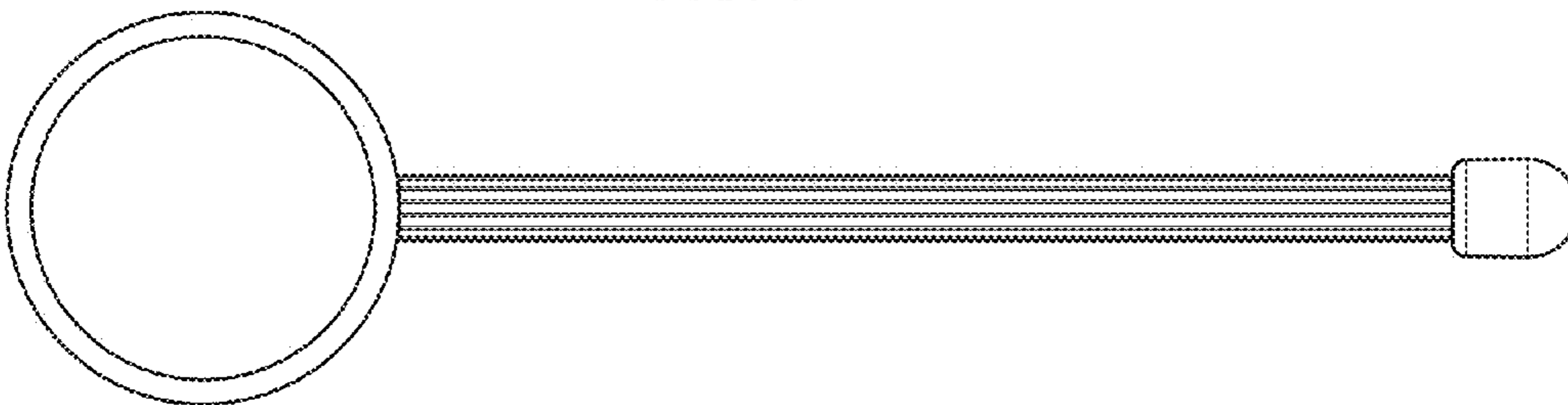


FIG. 5

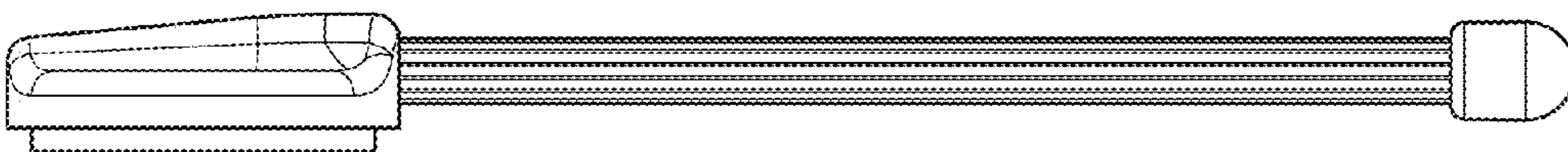


FIG. 6

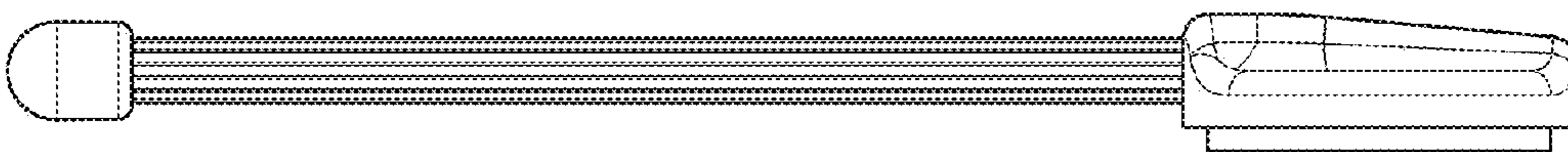


FIG. 7

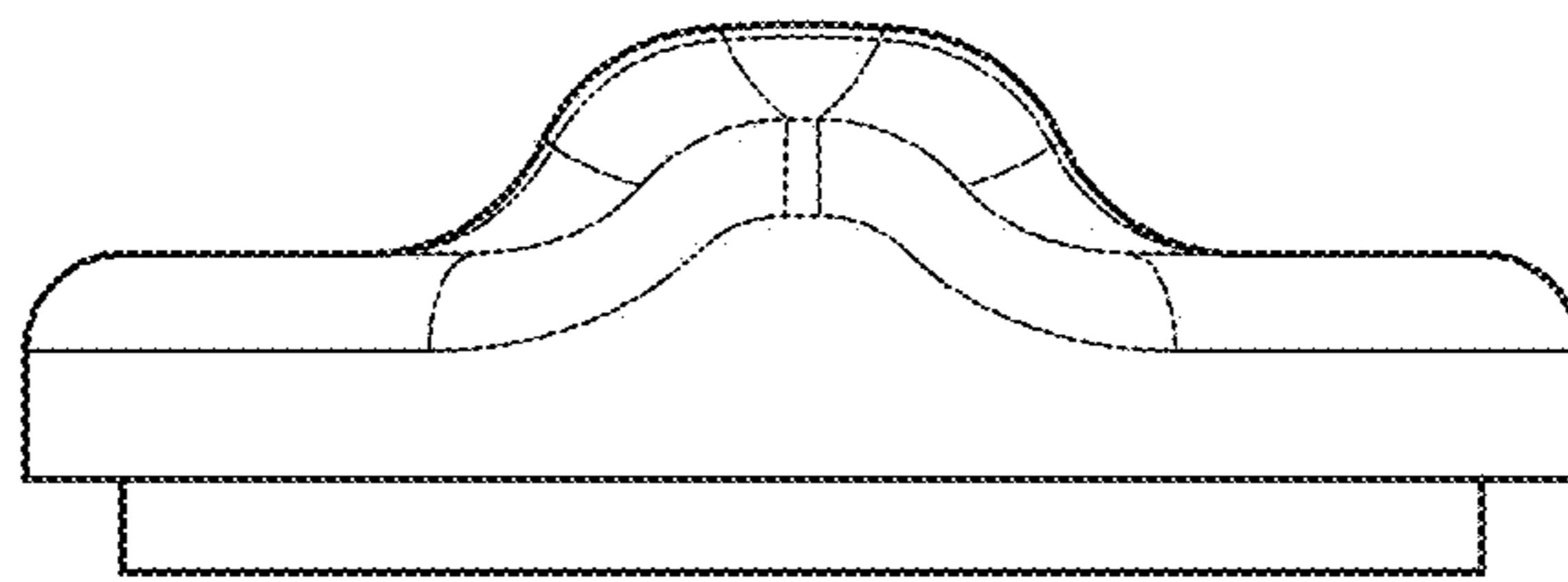


FIG. 8

