



US00D728350S

(12) **United States Design Patent**  
**Tu**

(10) **Patent No.:** **US D728,350 S**

(45) **Date of Patent:** **\*\* May 5, 2015**

(54) **HOOK**

(71) Applicant: **Bei Yu Industrial Co., Tainan (TW)**

(72) Inventor: **Wen-Chih Tu, Tainan (TW)**

(73) Assignee: **Bei Yu Industrial Co., Tainan (TW)**

(\*\*) Term: **14 Years**

(21) Appl. No.: **29/482,715**

(22) Filed: **Feb. 21, 2014**

(51) **LOC (10) Cl.** ..... **08-05**

(52) **U.S. Cl.**  
USPC ..... **D8/367**

(58) **Field of Classification Search**  
CPC ..... F16B 2/00; A63B 27/00  
USPC ..... D8/354, 349, 373, 372, 371, 367;  
D6/323; 248/301, 302, 303, 304, 339,  
248/205.3

See application file for complete search history.

(56) **References Cited**

U.S. PATENT DOCUMENTS

D355,585 S *	2/1995	Terada et al. ....	D8/367
D500,244 S *	12/2004	Yoshiguchi ....	D8/367
D583,654 S *	12/2008	Uehara ....	D8/367
D623,505 S *	9/2010	Tu ....	D8/367

\* cited by examiner

*Primary Examiner* — Cynthia Underwood

(74) *Attorney, Agent, or Firm* — Rosenberg, Klein & Lee

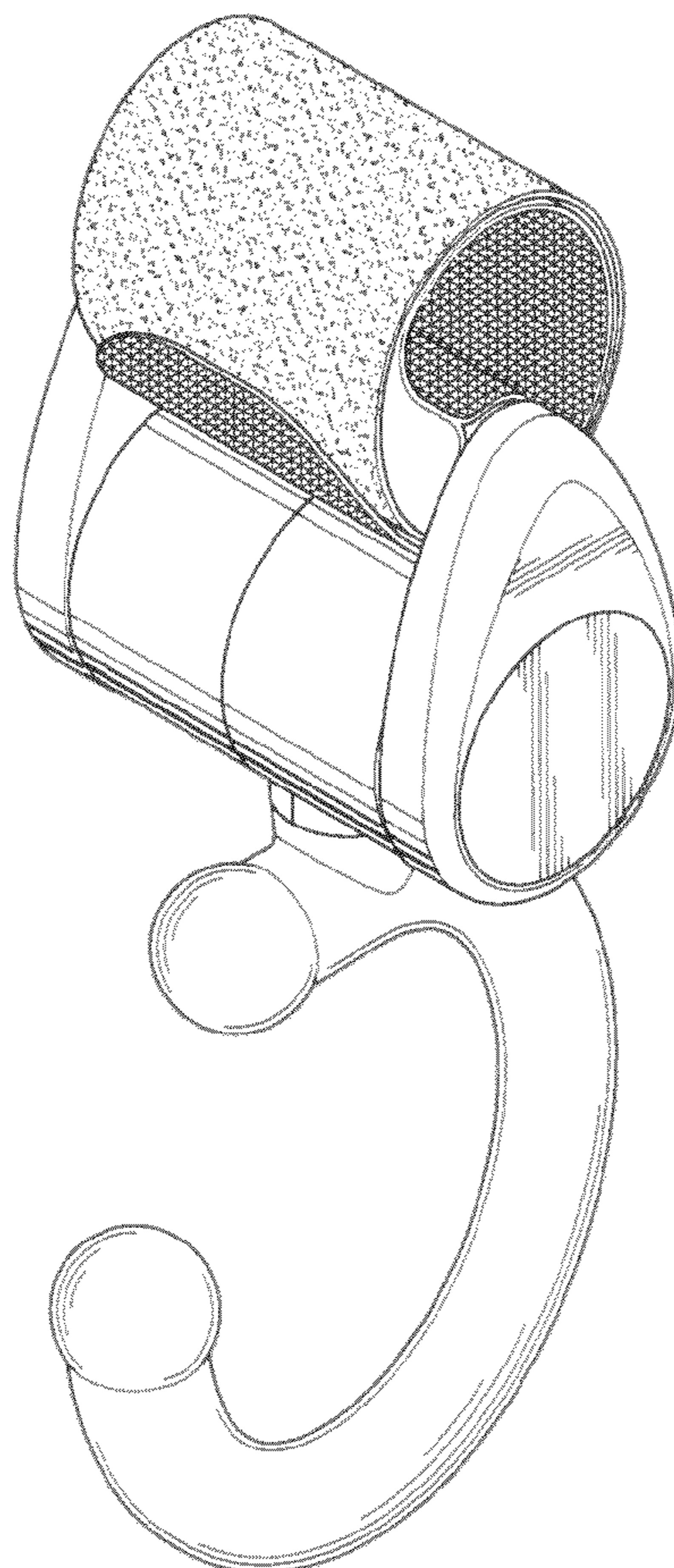
(57) **CLAIM**

The ornamental design for a hook, as shown and described.

**DESCRIPTION**

FIG. 1 is a perspective view of a hook my new design;  
FIG. 2 is a front elevational view thereof;  
FIG. 3 is a rear elevational view thereof;  
FIG. 4 is a left side elevational view thereof;  
FIG. 5 is a right side elevational view thereof;  
FIG. 6 is a top plan view thereof; and,  
FIG. 7 is a bottom plan view thereof.

**1 Claim, 7 Drawing Sheets**



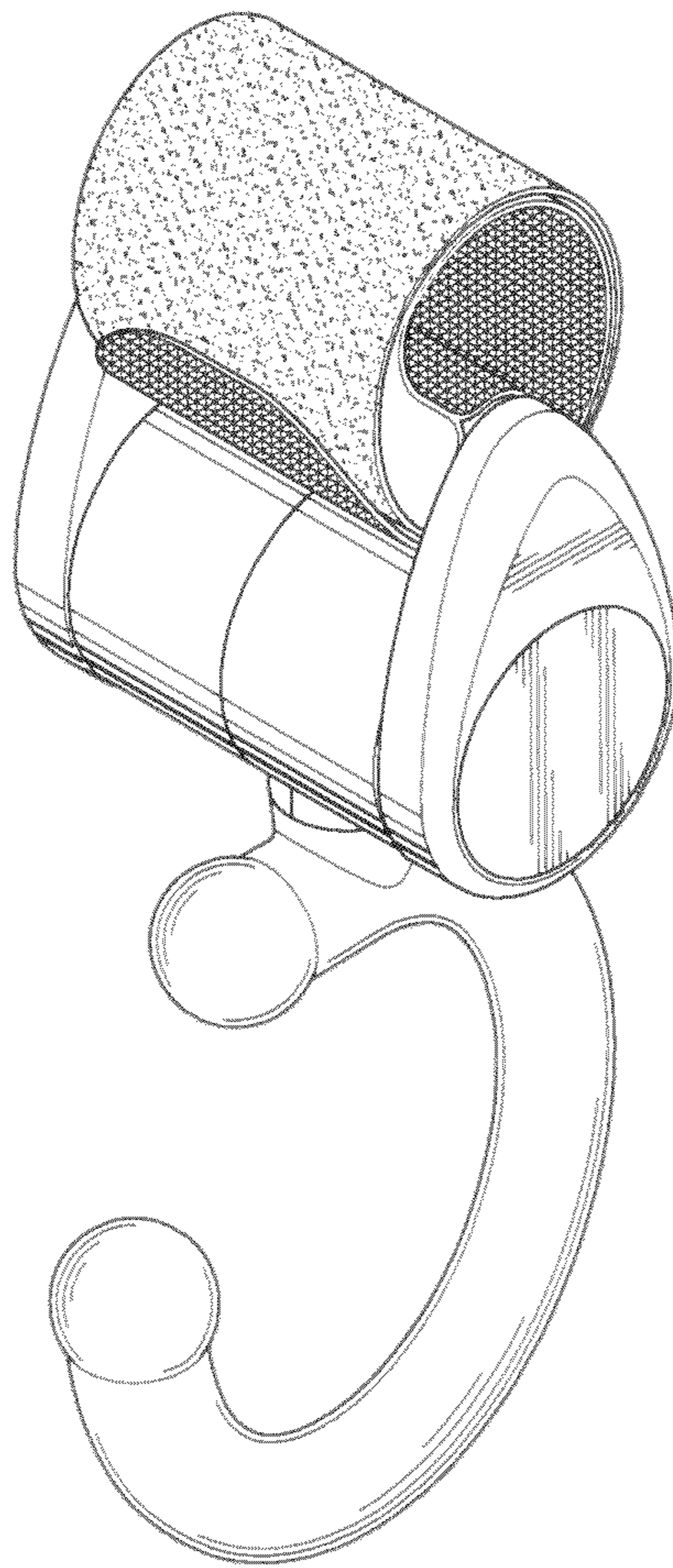


FIG. 1

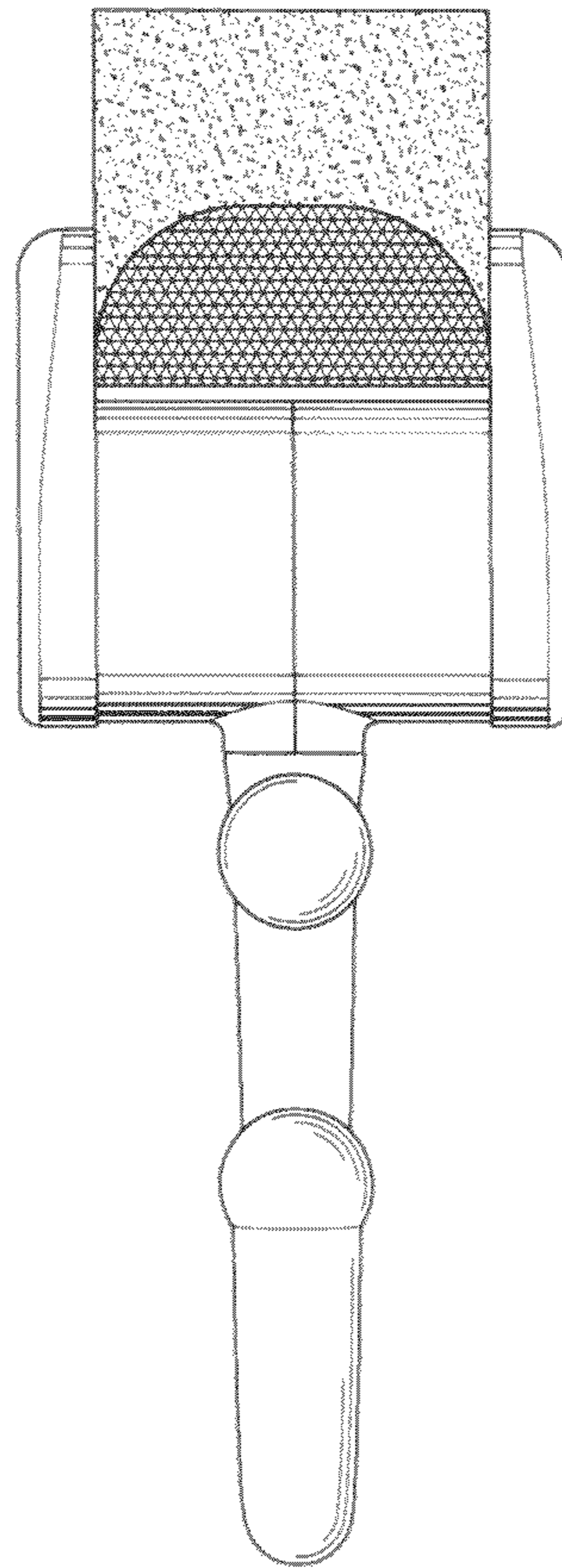


FIG. 2

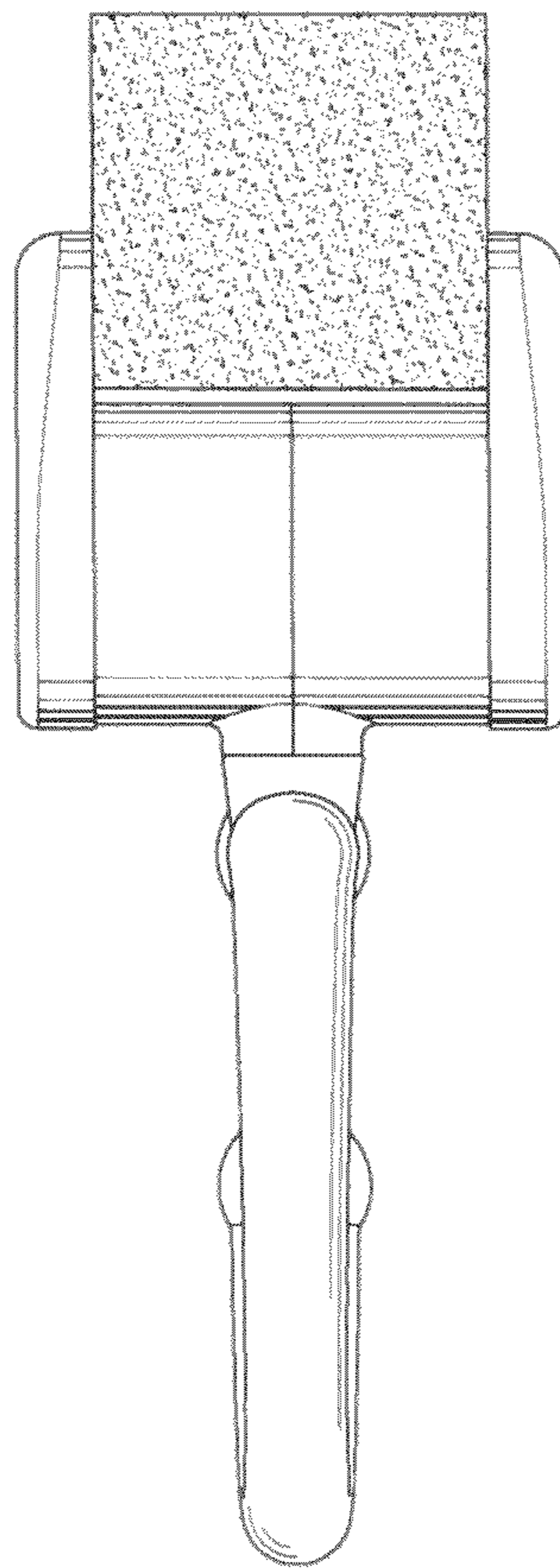


FIG. 3

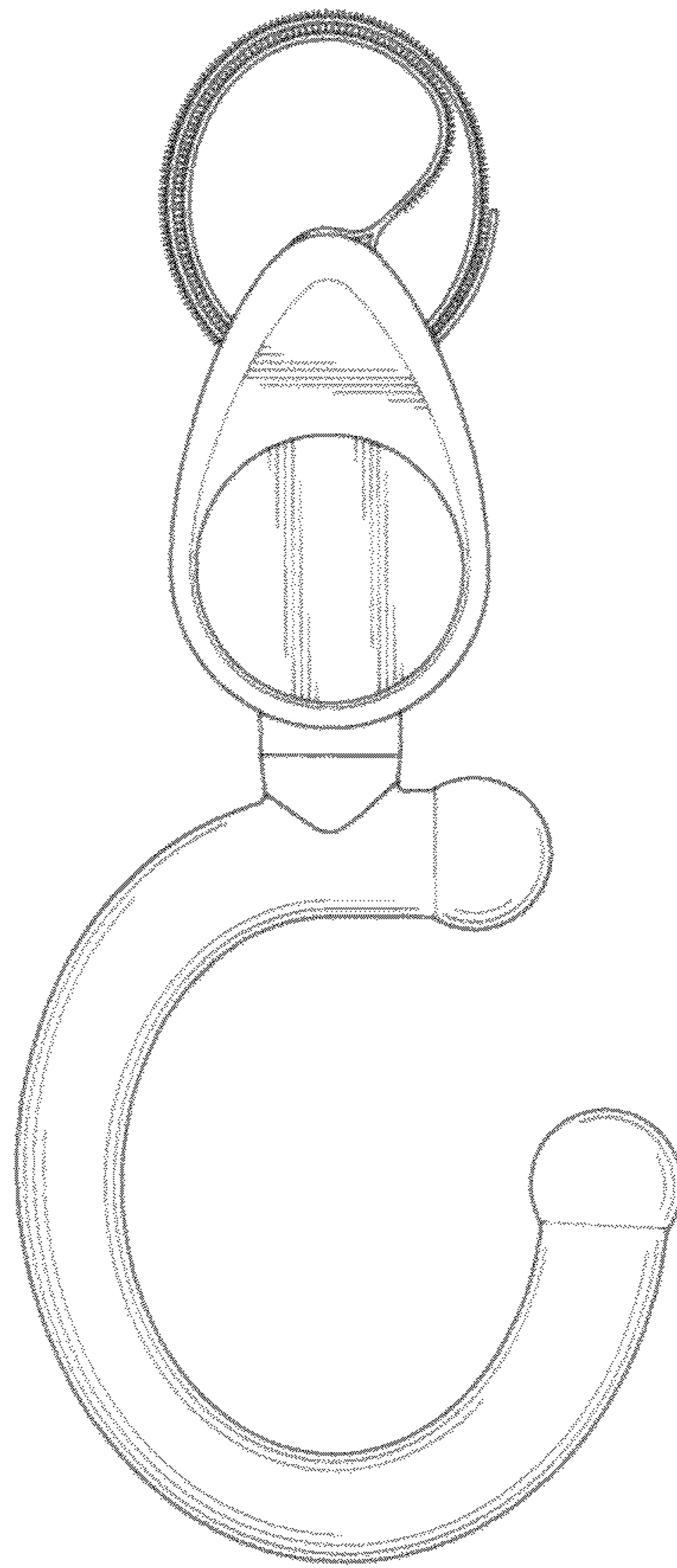


FIG. 4

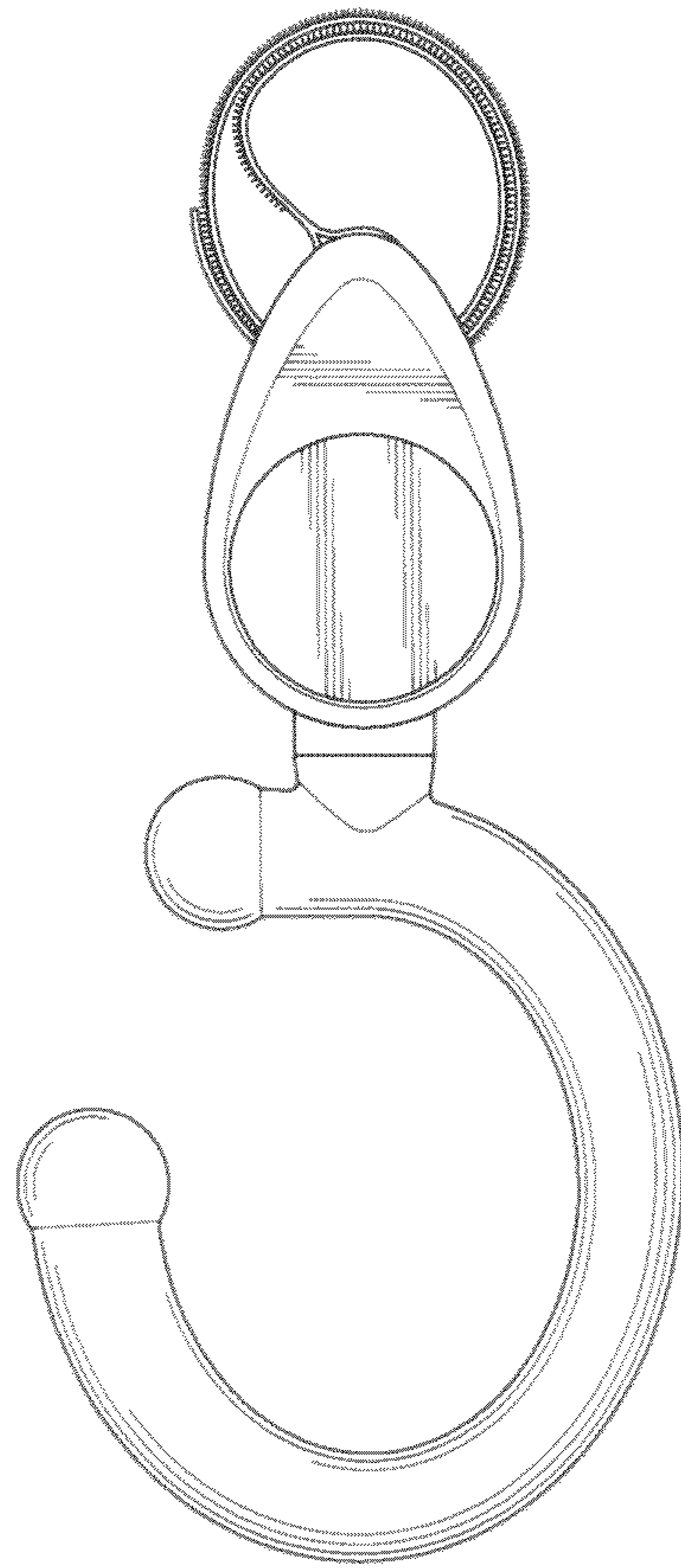


FIG. 5

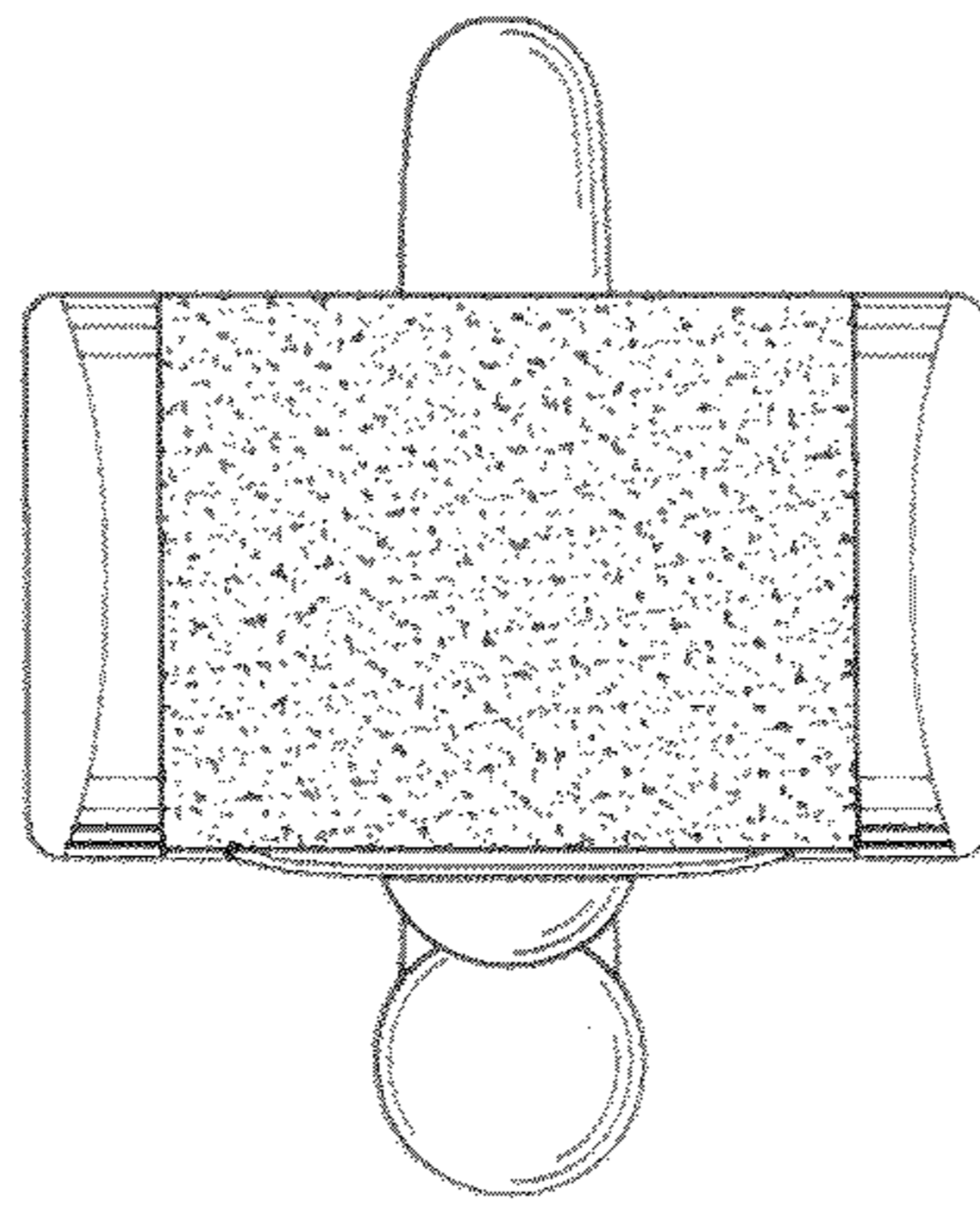


FIG. 6

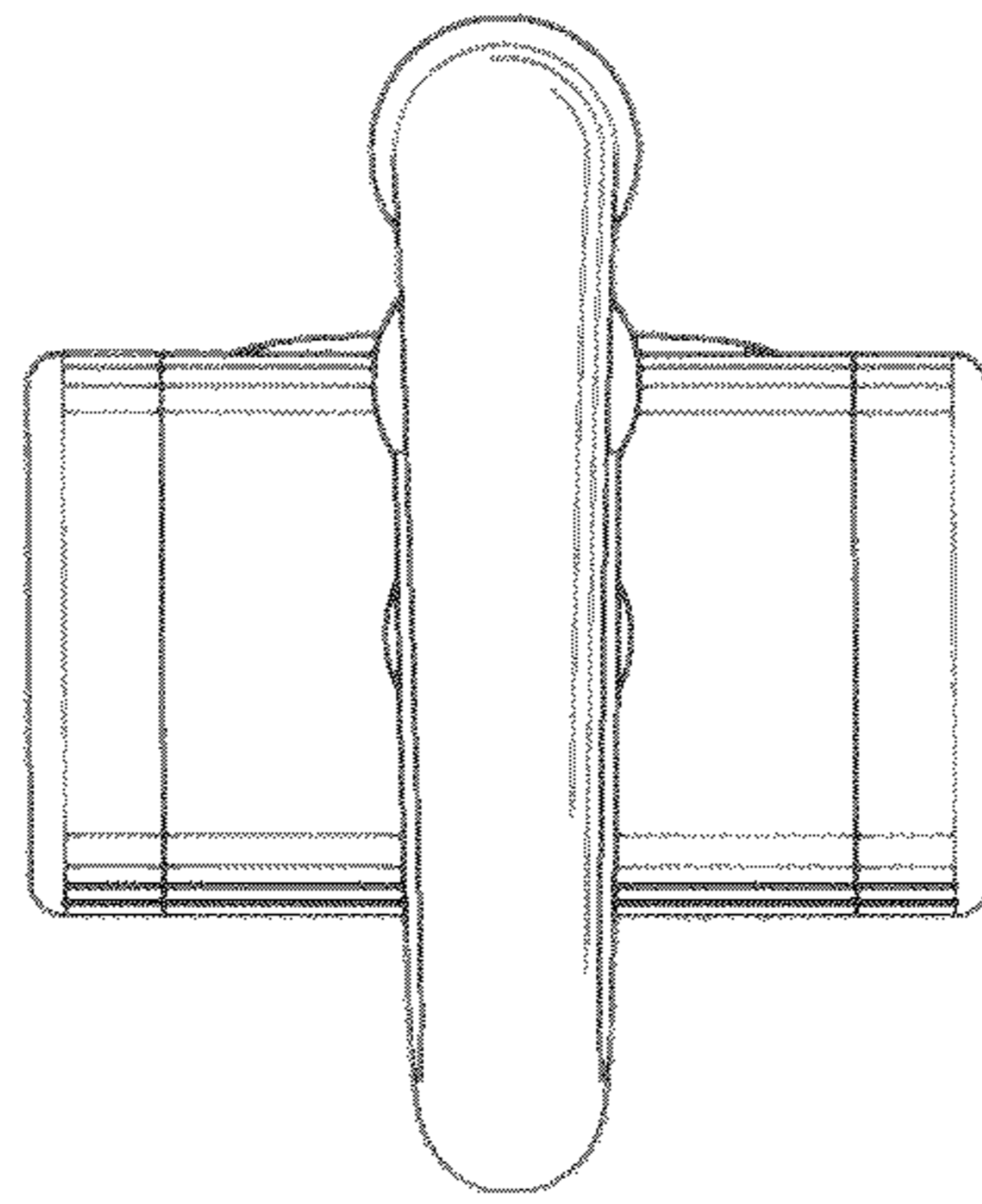


FIG. 7