



US00D728349S

(12) **United States Design Patent**  
**Lake**

(10) **Patent No.:** **US D728,349 S**

(45) **Date of Patent:** **\*\* May 5, 2015**

(54) **HOSE SUPPORT FOR USE WITH MULTIPLE HOSES**

(71) Applicant: **Western Oilfields Supply Company,**  
Bakersfield, CA (US)

(72) Inventor: **John W. Lake,** Bakersfield, CA (US)

(73) Assignee: **Western Oilfields Supply Company,**  
Bakersfield, CA (US)

(\*\*) Term: **14 Years**

(21) Appl. No.: **29/496,756**

(22) Filed: **Jul. 16, 2014**

(51) **LOC (10) Cl.** ..... **08-05**

(52) **U.S. Cl.**  
USPC ..... **D8/356**

(58) **Field of Classification Search**  
CPC ..... F16B 2/00; A63B 27/00  
USPC ..... D8/367, 354, 349, 373, 372, 371, 356,  
D8/353; D6/323; 248/301, 302, 303, 304,  
248/339, 205.3, 544; 294/209, 24, 2, 210,  
294/211; 403/53, 91, 97; 604/179  
See application file for complete search history.

(56) **References Cited**

**U.S. PATENT DOCUMENTS**

4,114,241	A *	9/1978	Bisping	403/188
D256,303	S *	8/1980	Rieman	D6/552
4,244,544	A *	1/1981	Kornat	248/68.1
D272,785	S *	2/1984	Rumbaugh	D6/552
D272,787	S *	2/1984	Rumbaugh	D6/552
4,971,271	A *	11/1990	Sularz	248/68.1
5,316,246	A *	5/1994	Scott et al.	248/68.1
D376,309	S *	12/1996	Takai	D8/380
D404,580	S *	1/1999	Hasler	D6/320
5,992,802	A *	11/1999	Campbell	248/68.1
6,227,502	B1 *	5/2001	Derman	248/74.4
6,360,051	B1 *	3/2002	Daoud	385/137
D459,977	S *	7/2002	Byrnes et al.	D8/357
6,415,932	B1 *	7/2002	Fiscus et al.	211/64

6,458,104	B2 *	10/2002	Gautsche	604/179
D485,161	S *	1/2004	Hutchinson	D8/383
D488,054	S *	4/2004	Myers	D8/356
H2203	H *	10/2007	Borchardt et al.	D8/396
D568,723	S *	5/2008	Morgan	D8/356
D580,661	S *	11/2008	Belokin	D6/315
D586,567	S *	2/2009	Heroux	D6/323
D587,101	S *	2/2009	Morgan	D8/356
D587,102	S *	2/2009	Morgan	D8/356
7,500,644	B2 *	3/2009	Naudet et al.	248/68.1
D606,323	S *	12/2009	Heroux	D6/323
7,712,709	B2 *	5/2010	Winchester	248/89
D638,690	S *	5/2011	Hoek	D8/356

(Continued)

*Primary Examiner* — Cynthia Underwood

(74) *Attorney, Agent, or Firm* — Holland & Knight LLP;  
Richard E. Lyon, Jr.

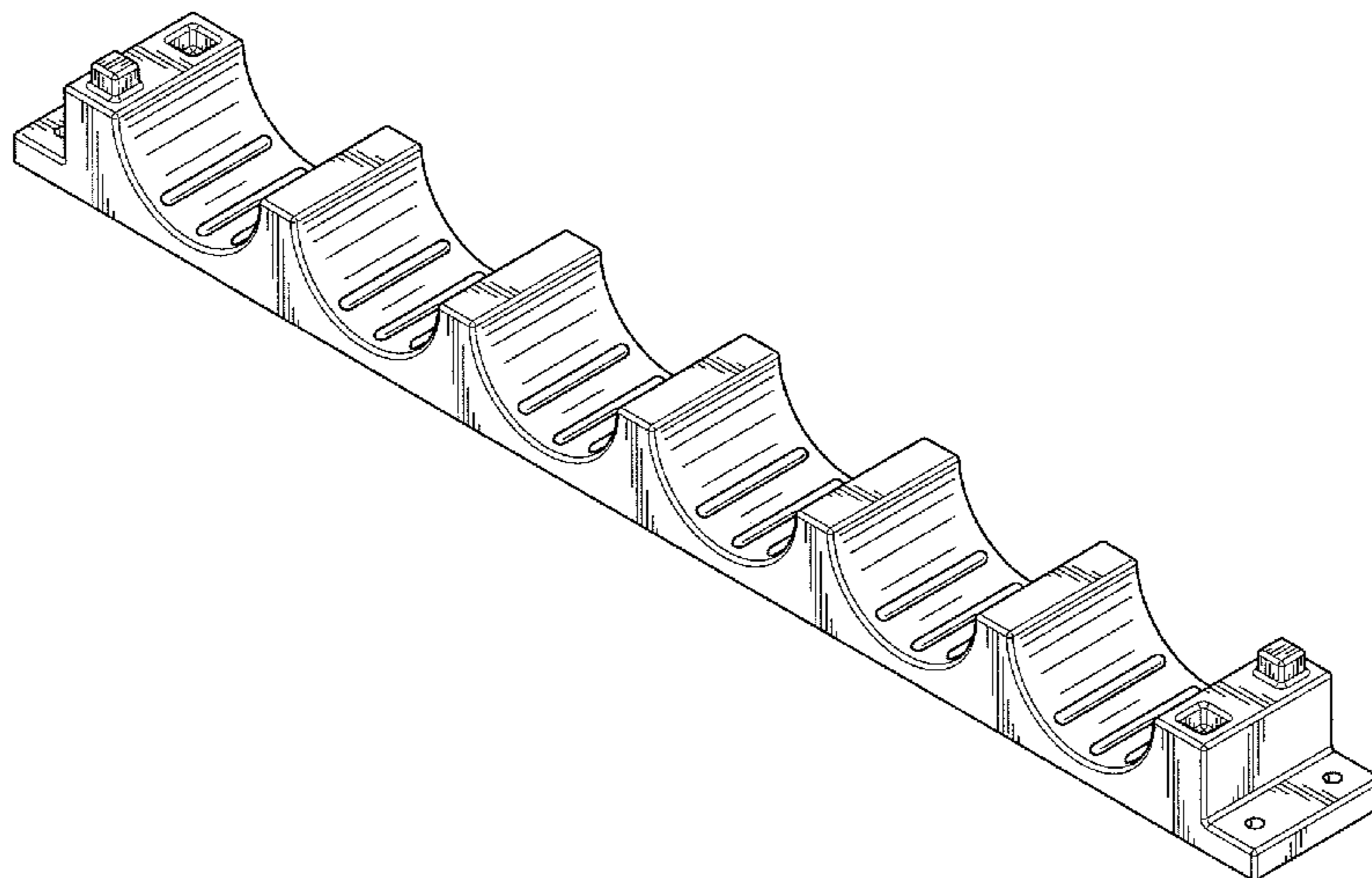
(57) **CLAIM**

The ornamental design for a hose support for use with multiple hoses, as shown and described.

**DESCRIPTION**

FIG. 1 is a perspective view of the hose support for use with multiple hoses showing the new design;  
 FIG. 2 is an elevational side view thereof, the opposite elevational side view being a mirror image thereof;  
 FIG. 3 is a top plan view thereof;  
 FIG. 4 is an elevational end view thereof, the opposite elevational end view being a mirror image thereof;  
 FIG. 5 is a bottom plan view thereof;  
 FIG. 6 is an elevational side view showing the hose support, a second identical hose support disposed thereon in an inverted disposition about a plurality of hoses disposed therebetween, the identical hose support and hoses being illustrated in broken lines to show the environment of the hose support of the present invention and form no part of the claimed design; and,  
 FIG. 7 is a perspective view of the hose support showing the underside thereof.

**1 Claim, 3 Drawing Sheets**



(56)

**References Cited**

U.S. PATENT DOCUMENTS

D638,691 S *	5/2011	Hoek	.....	D8/356	D691,875 S *	10/2013	Ganski	.....	D8/356
D638,692 S *	5/2011	Hoek	.....	D8/356	D691,878 S *	10/2013	Ganski	.....	D8/356
D640,527 S *	6/2011	Hoek	.....	D8/356	D702,532 S *	4/2014	Garrido et al.	.....	D8/354
8,056,680 B2 *	11/2011	Broten	.....	182/221	8,900,196 B2 *	12/2014	Andino	.....	604/174
D668,130 S *	10/2012	Pawluk	.....	D8/356	D720,606 S *	1/2015	Mathews et al.	.....	D8/356
D676,310 S *	2/2013	Lowrance	.....	D8/356	2003/0132352 A1 *	7/2003	Weaver	.....	248/68.1
					2005/0189453 A1 *	9/2005	DeGuevara	.....	248/68.1
					2010/0132979 A1 *	6/2010	Chen	.....	174/135

\* cited by examiner

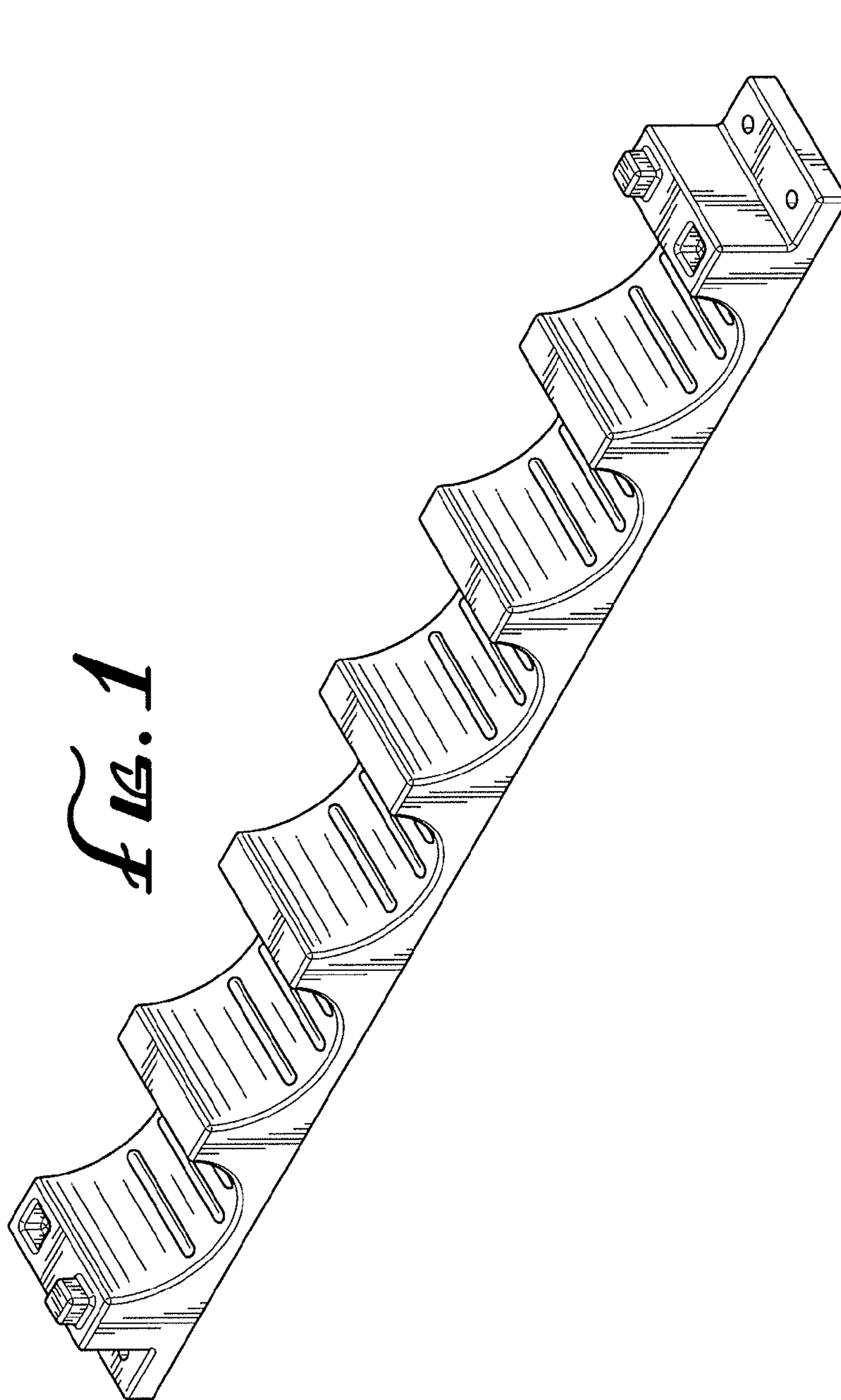


Fig. 1

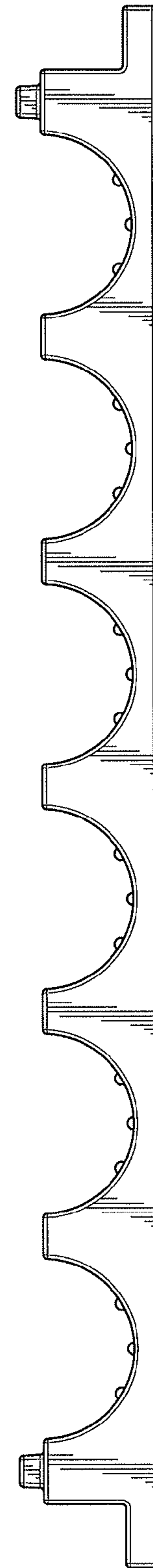


Fig. 2

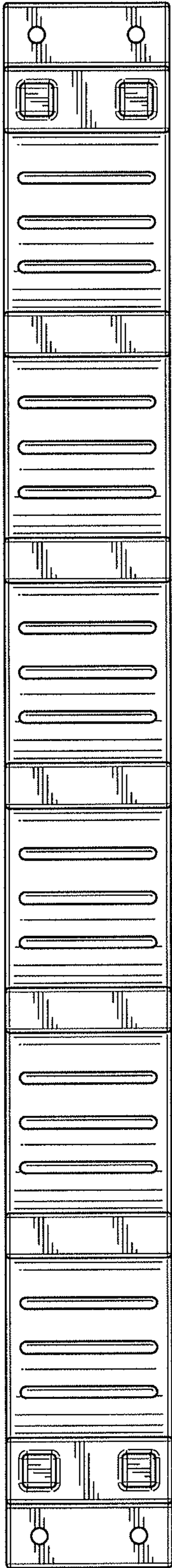


FIG. 3

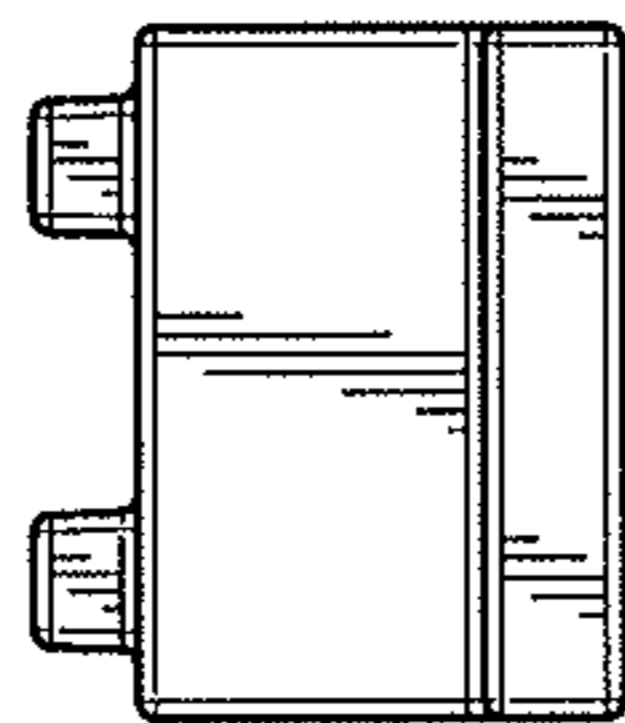


FIG. 4

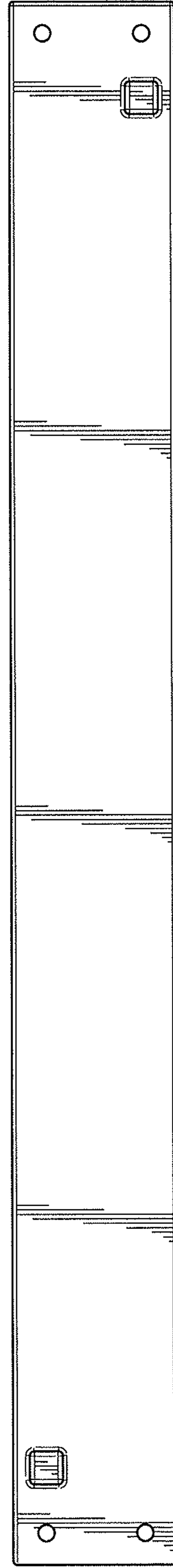


FIG. 5

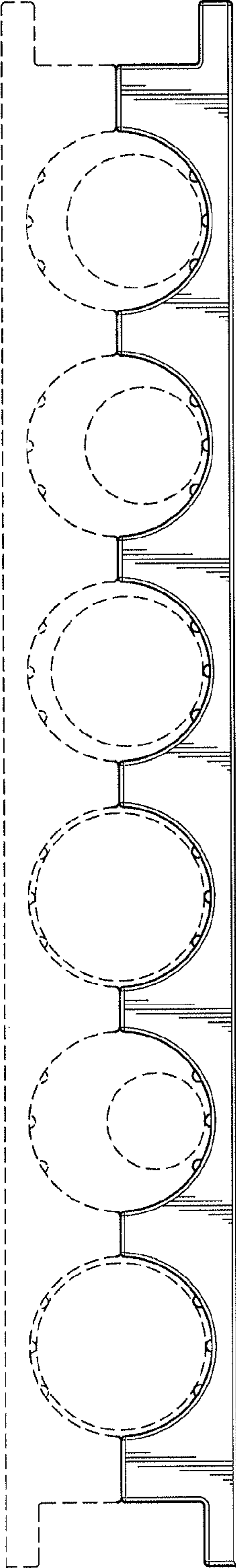


Fig. 6

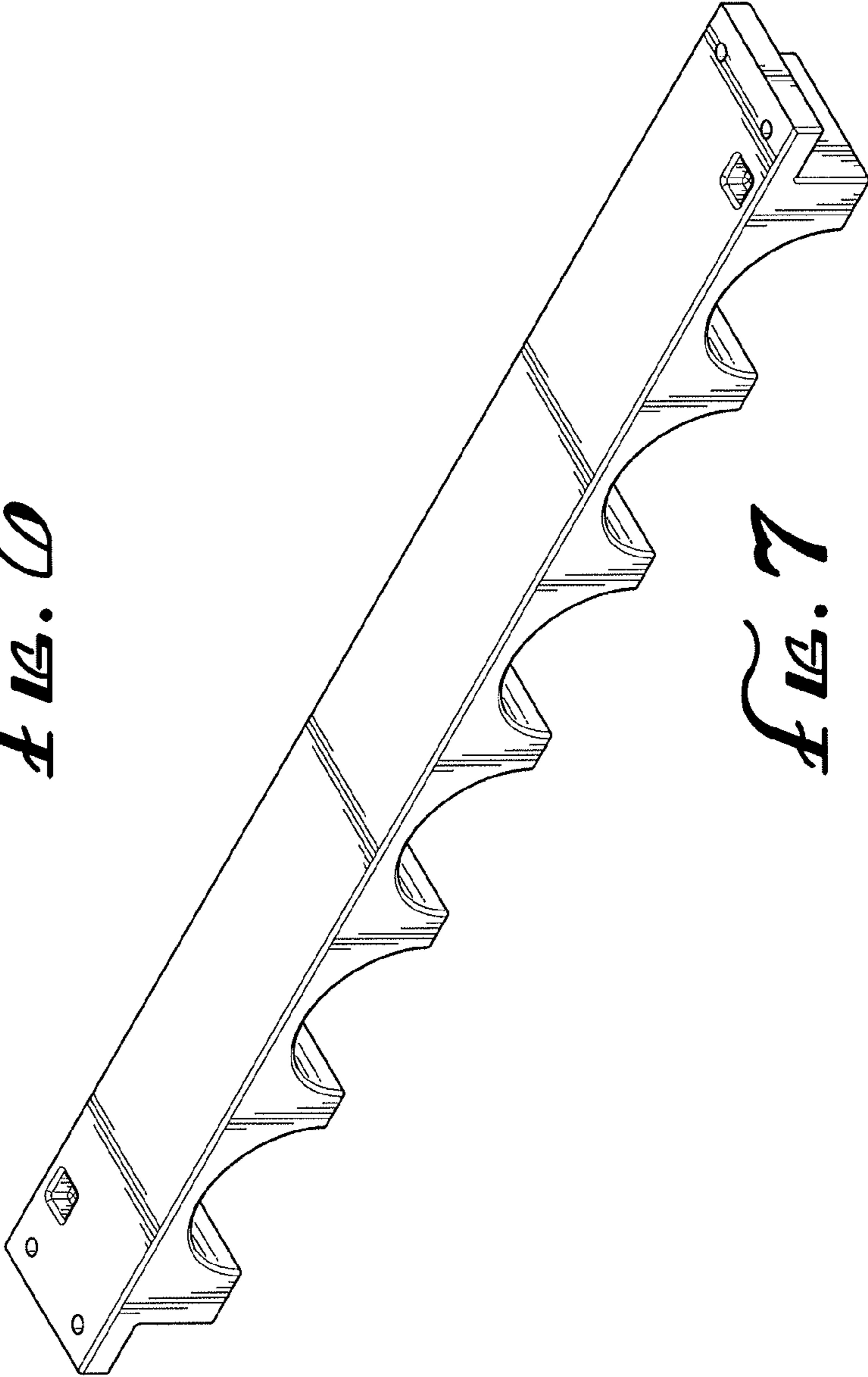


Fig. 7