



US00D728345S

(12) **United States Design Patent**
Levinson

(10) **Patent No.:** **US D728,345 S**

(45) **Date of Patent:** **** May 5, 2015**

(54) **LATCH**

(71) Applicant: **Jeffrey Levinson**, Philadelphia, PA (US)

(72) Inventor: **Jeffrey Levinson**, Philadelphia, PA (US)

(**) Term: **14 Years**

(21) Appl. No.: **29/480,415**

(22) Filed: **Jan. 25, 2014**

(51) **LOC (10) Cl.** **08-07**

(52) **U.S. Cl.**
USPC **D8/336**

(58) **Field of Classification Search**
USPC D8/330, 331, 336, 338, 343, 344, 349;
70/2-13, 19, 69-76, 78, 141, DIG. 26
See application file for complete search history.

(56) **References Cited**

U.S. PATENT DOCUMENTS

918,300	A	*	4/1909	Eggleston	70/74
1,122,224	A	*	12/1914	Weissburg	70/75
3,008,320	A	*	11/1961	Tomkinson et al.	70/74
3,030,137	A	*	4/1962	Tomkinson et al.	292/113
3,043,616	A	*	7/1962	Magnuson	292/3
4,049,301	A	*	9/1977	Schenk	292/113
D306,129	S	*	2/1990	Bobrowski et al.	D8/338
D313,337	S	*	1/1991	Haskell	D8/336

D399,119	S	*	10/1998	Miller et al.	D8/336
D447,928	S	*	9/2001	Weiland	D8/336
6,397,644	B1	*	6/2002	Gidding	70/18

* cited by examiner

Primary Examiner — Prabhakar Deshmukh

(74) *Attorney, Agent, or Firm* — Pepper Hamilton LLP

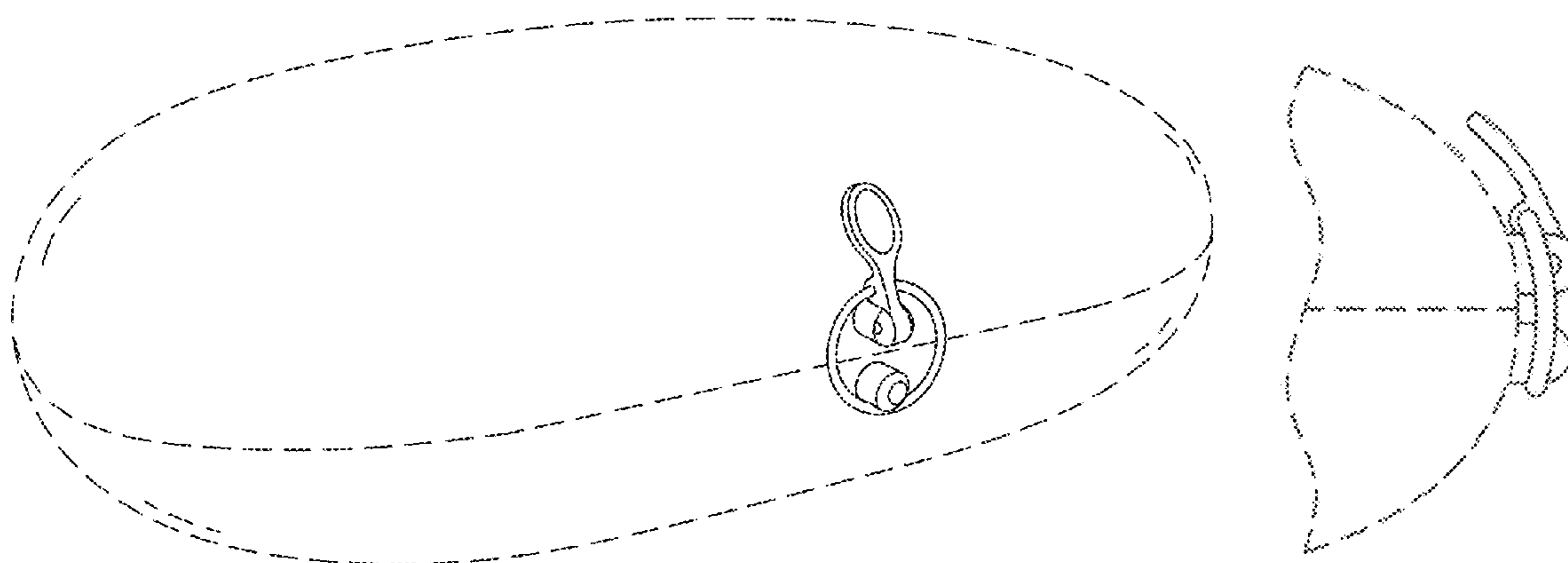
(57) **CLAIM**

The ornamental design for a latch, as shown and described.

DESCRIPTION

FIG. 1 is a perspective view of a latch showing my new design, shown in unlatched position;
 FIG. 2 is a front elevational view thereof;
 FIG. 3 is a right elevational view thereof, the left side elevational view being a mirror image thereof;
 FIG. 4 is an enlarged right side elevation view thereof, with the latch in closed position;
 FIG. 5 is an enlarged right side elevation view thereof, with the latch in partially unlatched position;
 FIG. 6 is an enlarged right side elevational view thereof, with latch in fully unlatched position;
 FIG. 7 is a bottom plan view thereof; and,
 FIG. 8 is a perspective view thereof, with the latch shown in completely open position.
 The broken lines illustrating environment form no part of the claimed design.

1 Claim, 6 Drawing Sheets



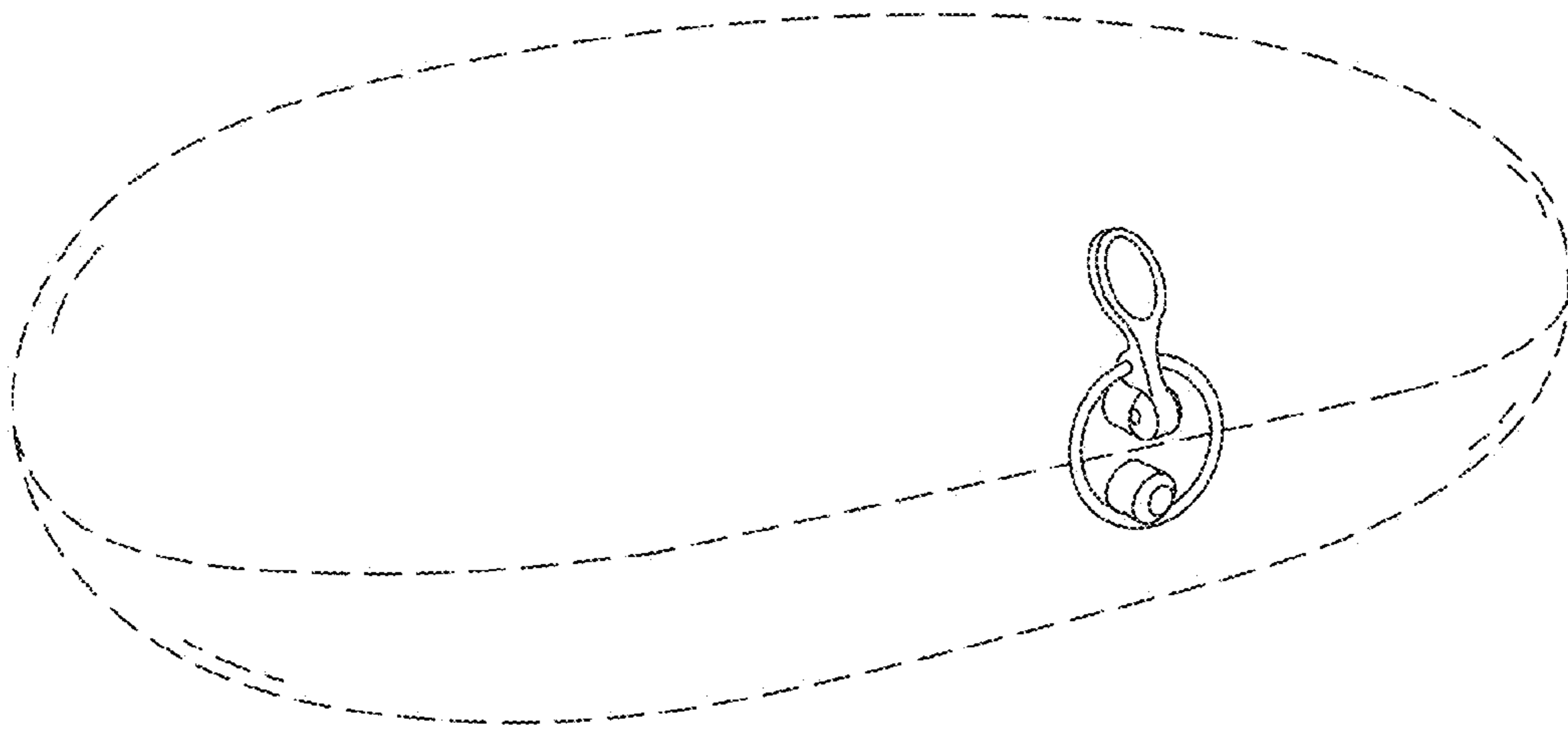


FIG. 1

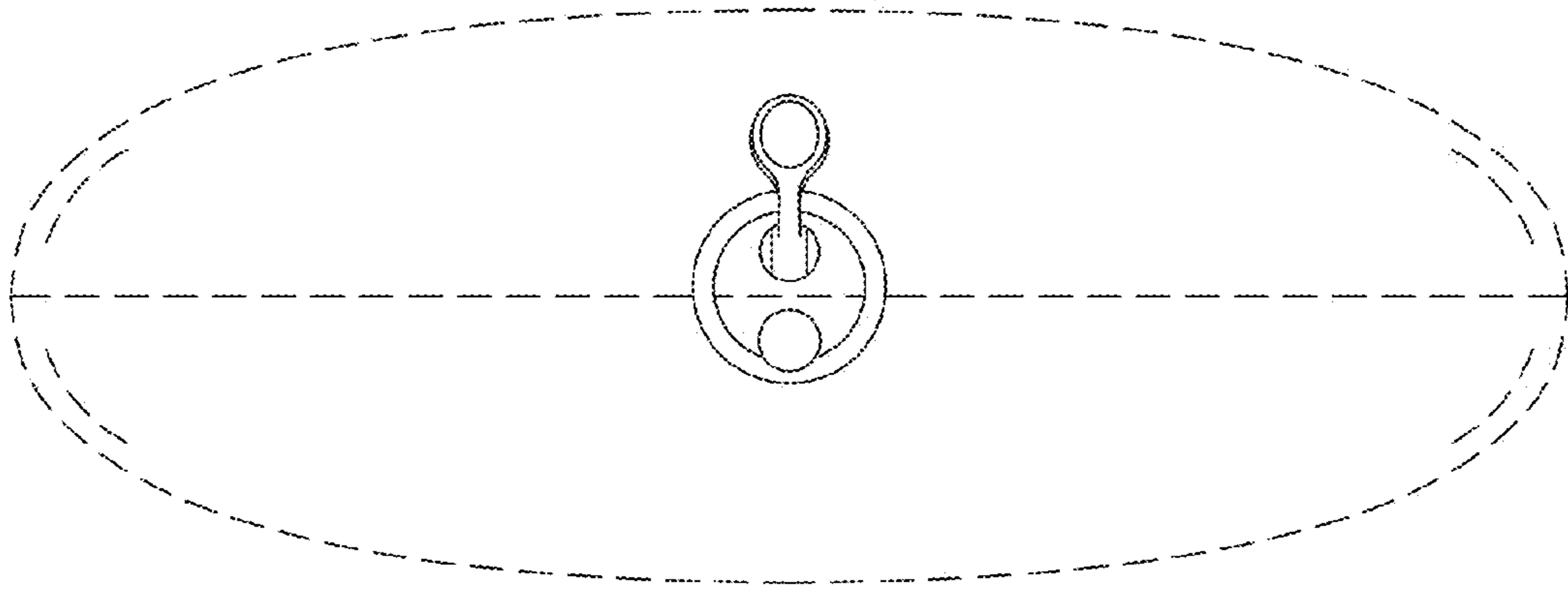


FIG. 2

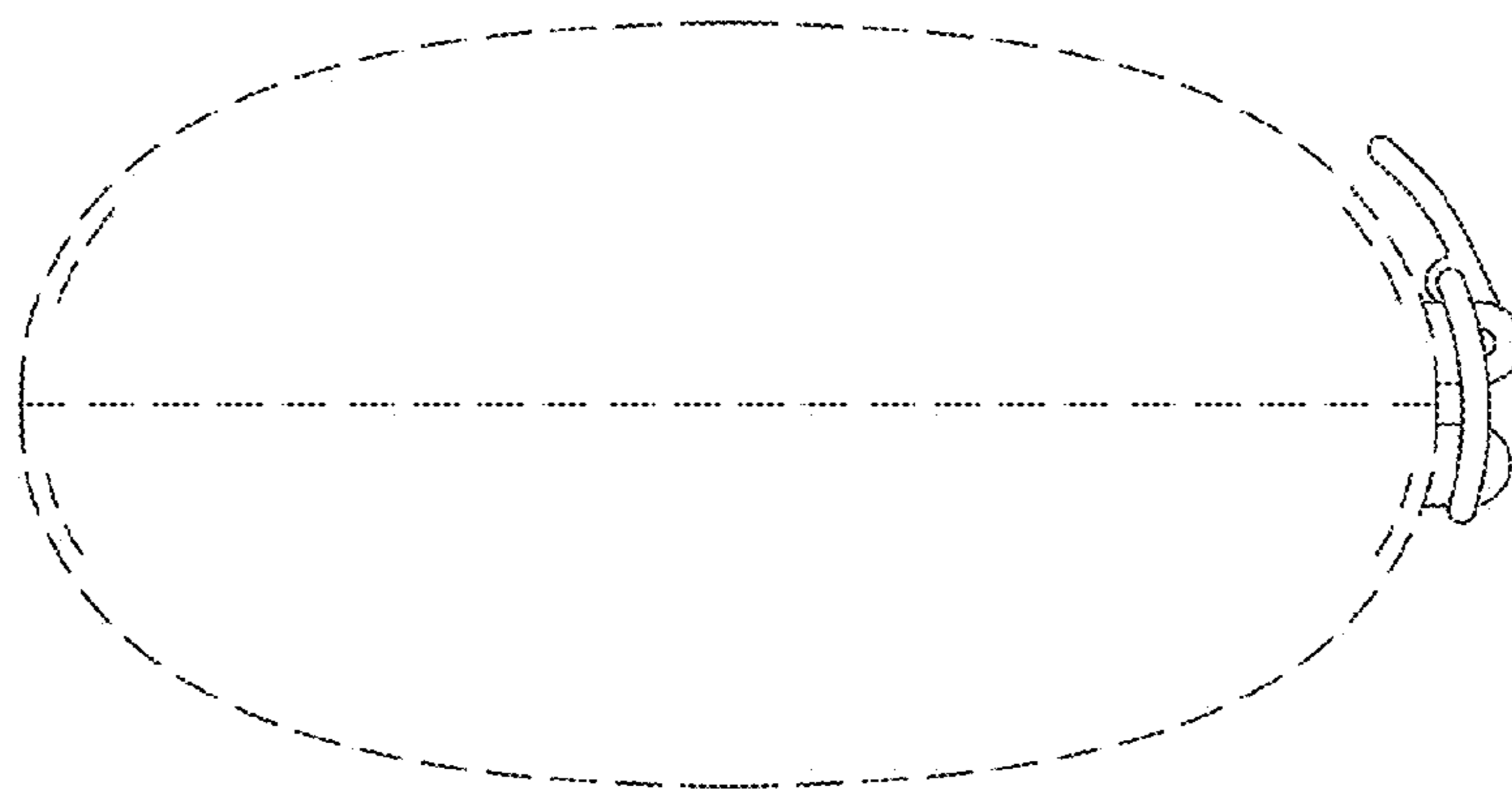


FIG. 3

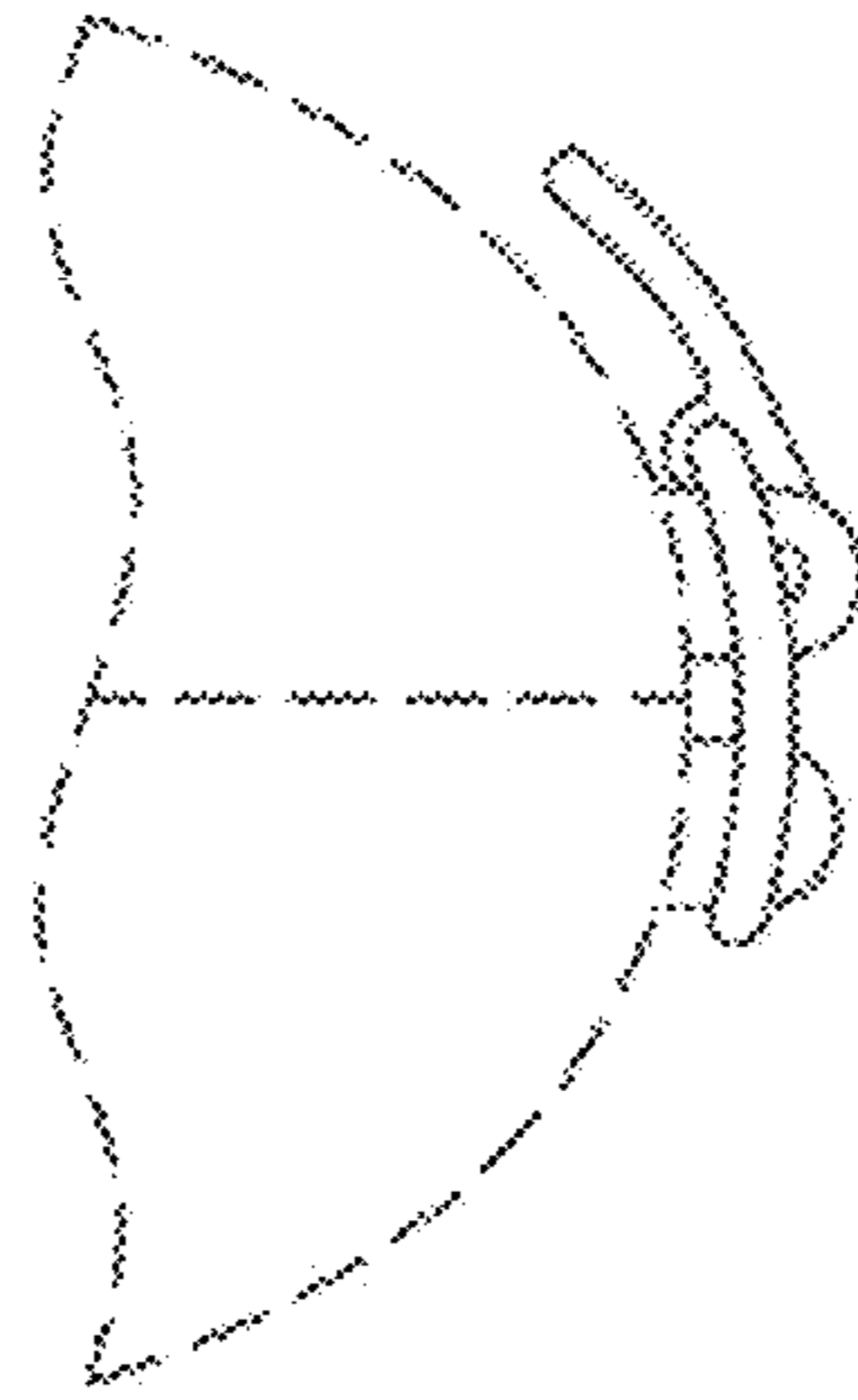


FIG. 4

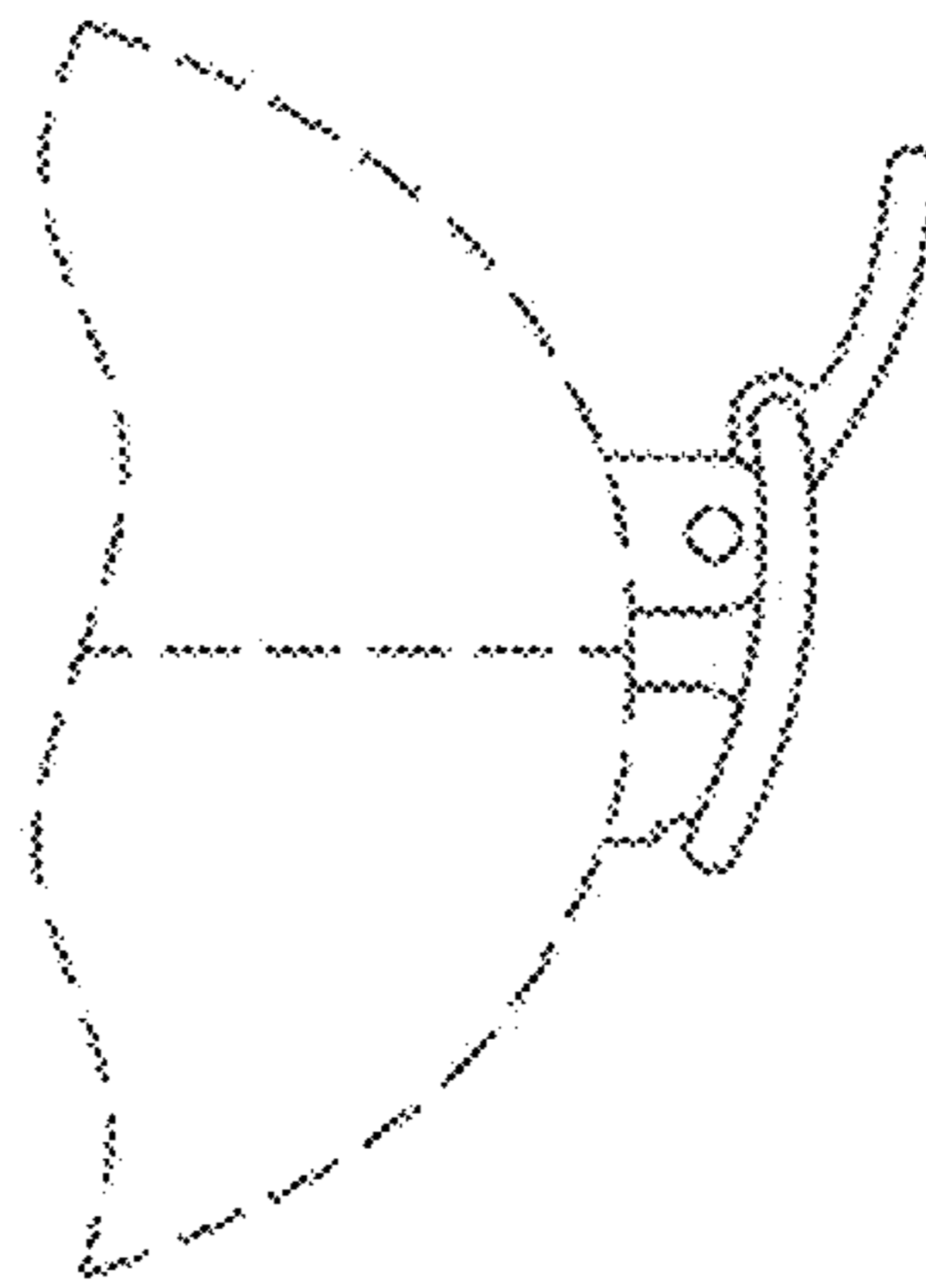


FIG. 5

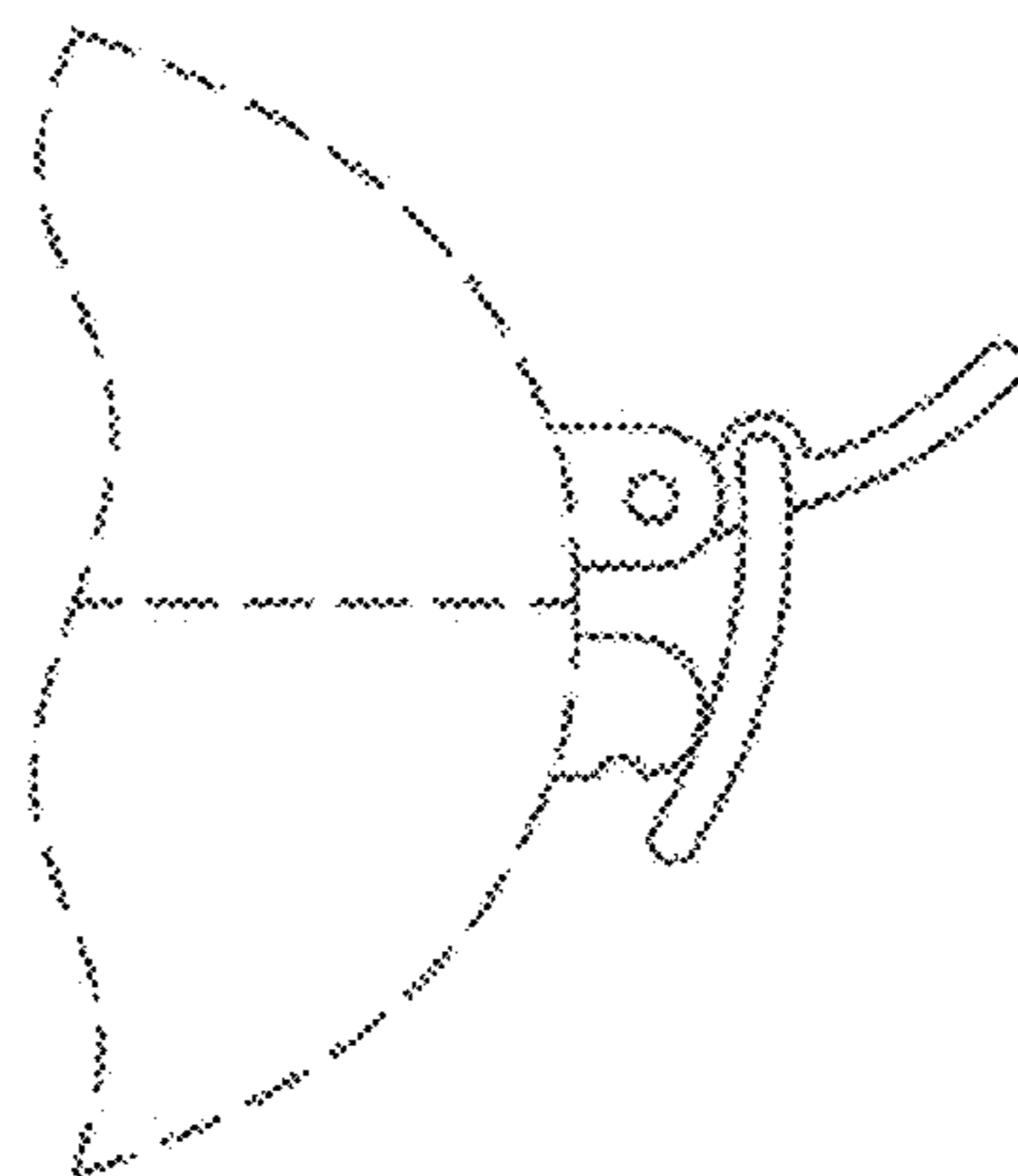


FIG. 6

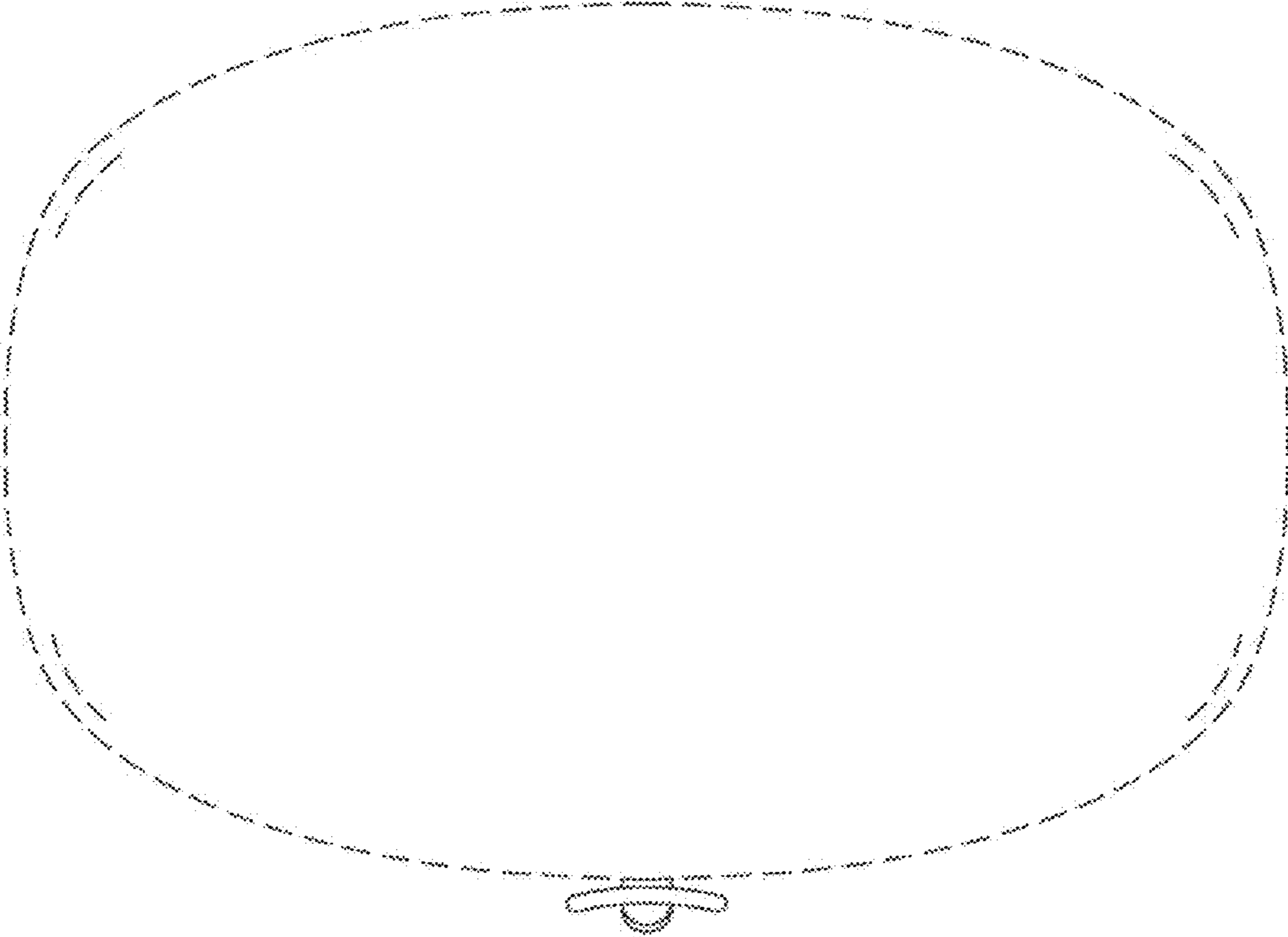


FIG. 7

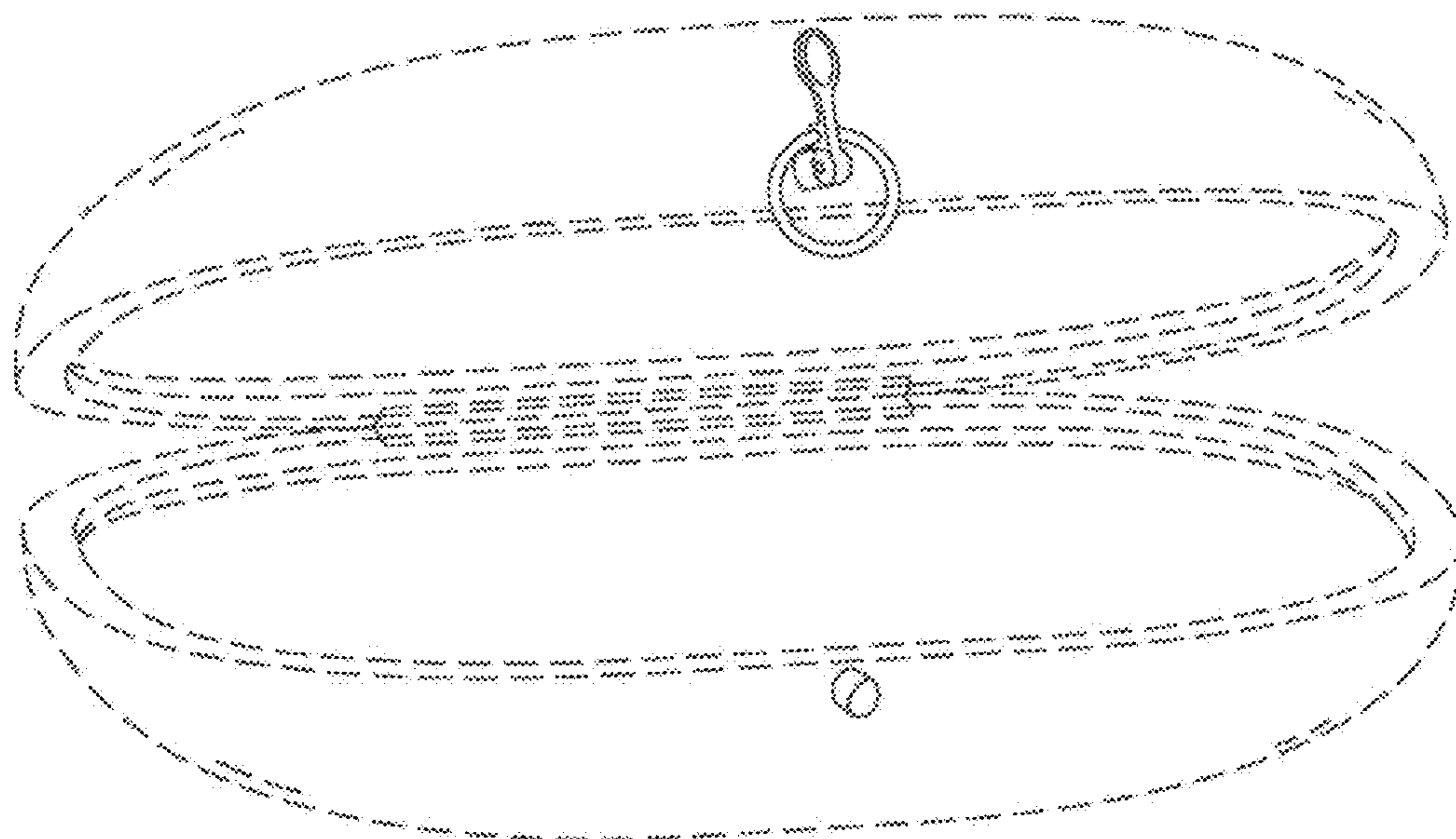


FIG. 8