



US00D728344S

(12) **United States Design Patent**  
**Weldon**

(10) **Patent No.:** **US D728,344 S**

(45) **Date of Patent:** **\*\* May 5, 2015**

(54) **SPRING HINGE**

(71) Applicant: **Weldon Industries, Inc.**, Tampa, FL  
(US)

(72) Inventor: **Mark Weldon**, Tampa, FL (US)

(73) Assignee: **Weldon Industries, Inc.**, Tampa, FL  
(US)

(\*\*) Term: **14 Years**

(21) Appl. No.: **29/486,775**

(22) Filed: **Apr. 2, 2014**

(51) **LOC (10) Cl.** ..... **08-06**

(52) **U.S. Cl.**  
USPC ..... **D8/323**

(58) **Field of Classification Search**  
USPC ..... D8/356, 354, 349, 323, 327, 323.349;  
220/575; 206/521.15; 24/302, 16 R,  
24/306, 17 R; 439/501; 381/374; D14/217,  
D14/205; 16/225, 250, 682, 309, 235, 275,  
16/244, 379, 390, 430, 241, 238, 245, 236,  
16/243, 242, 385, 331, 274; D23/303;  
4/236, 240

See application file for complete search history.

(56) **References Cited**

U.S. PATENT DOCUMENTS

D443,196 S *	6/2001	Sosa	.....	D8/323
D544,779 S *	6/2007	Loggen	.....	D8/327
D588,899 S *	3/2009	Lucchini	.....	D8/326
D624,388 S *	9/2010	Eland	.....	D8/323
D679,570 S *	4/2013	Farnsworth et al.	.....	D8/323
D699,093 S *	2/2014	Farnsworth et al.	.....	D8/323

\* cited by examiner

*Primary Examiner* — Cynthia Underwood

(74) *Attorney, Agent, or Firm* — Christopher Paradies;  
Paradies Law P.A.

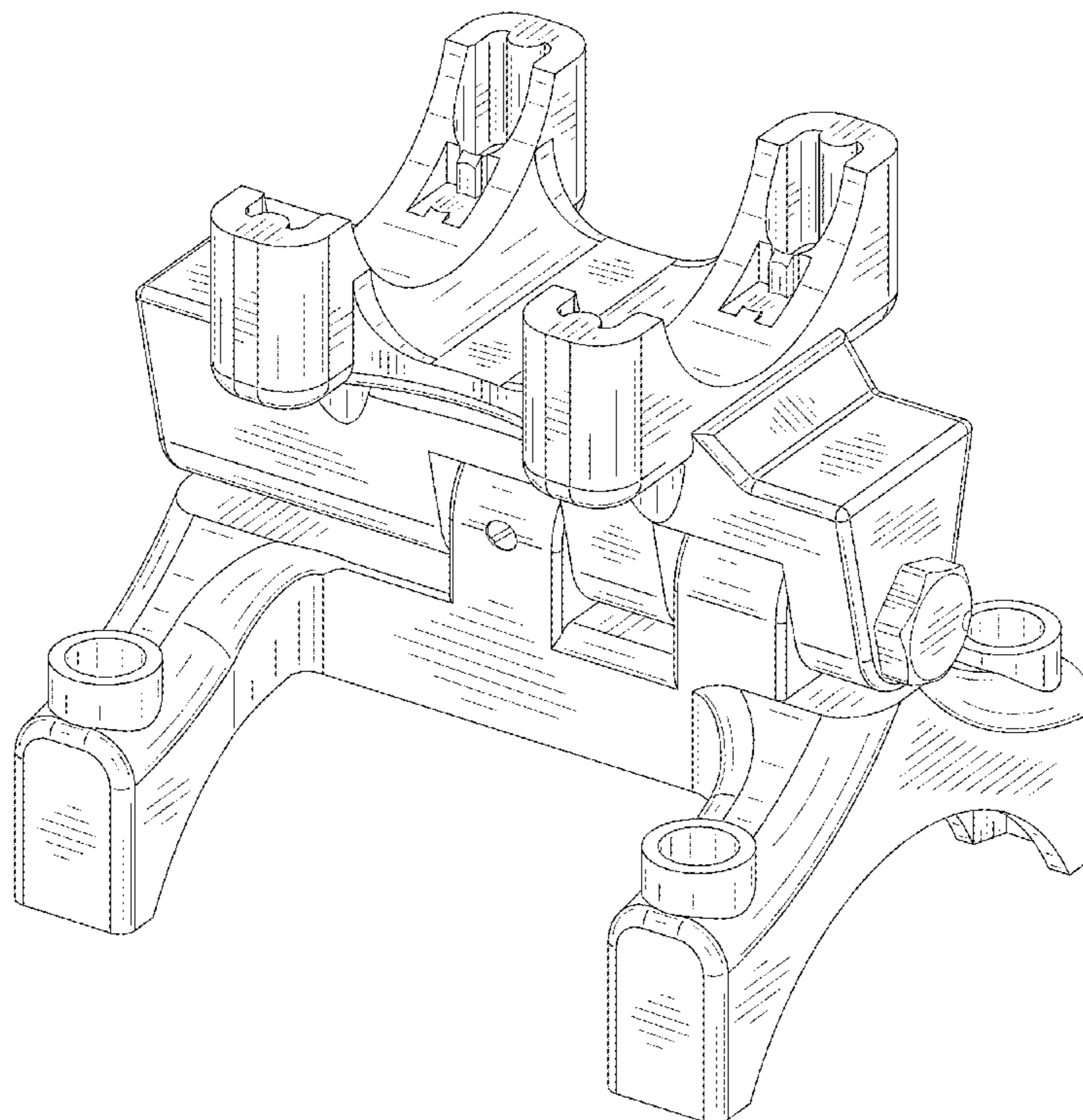
(57) **CLAIM**

The ornamental design for a spring hinge, as shown and described.

**DESCRIPTION**

FIG. 1 is a right, top, back perspective view of a spring hinge. FIG. 2 is a bottom, left, front perspective view of the spring hinge. FIG. 3 is a right side view of the spring hinge, showing the screw head rotated in the opposite direction. FIG. 4 is a left side view of the spring hinge. FIG. 5 is a bottom view of the spring hinge. FIG. 6 is a top view of the spring hinge. FIG. 7 is a back side view of the spring hinge. FIG. 8 is a front side view of the spring hinge; and, FIG. 9 is a bottom, left, back perspective view of the spring hinge in an articulated, open position.

**1 Claim, 9 Drawing Sheets**



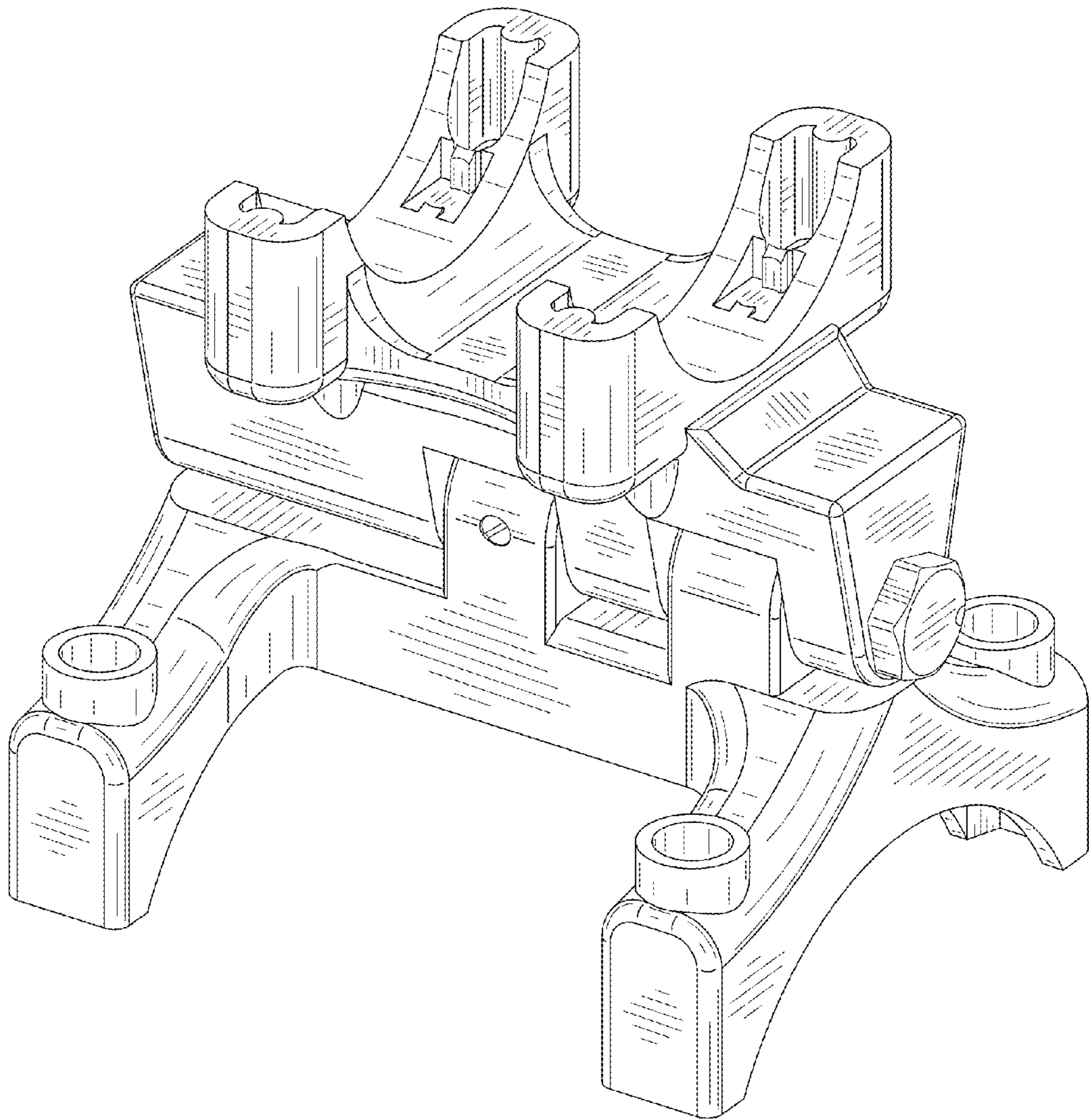


FIG. 1

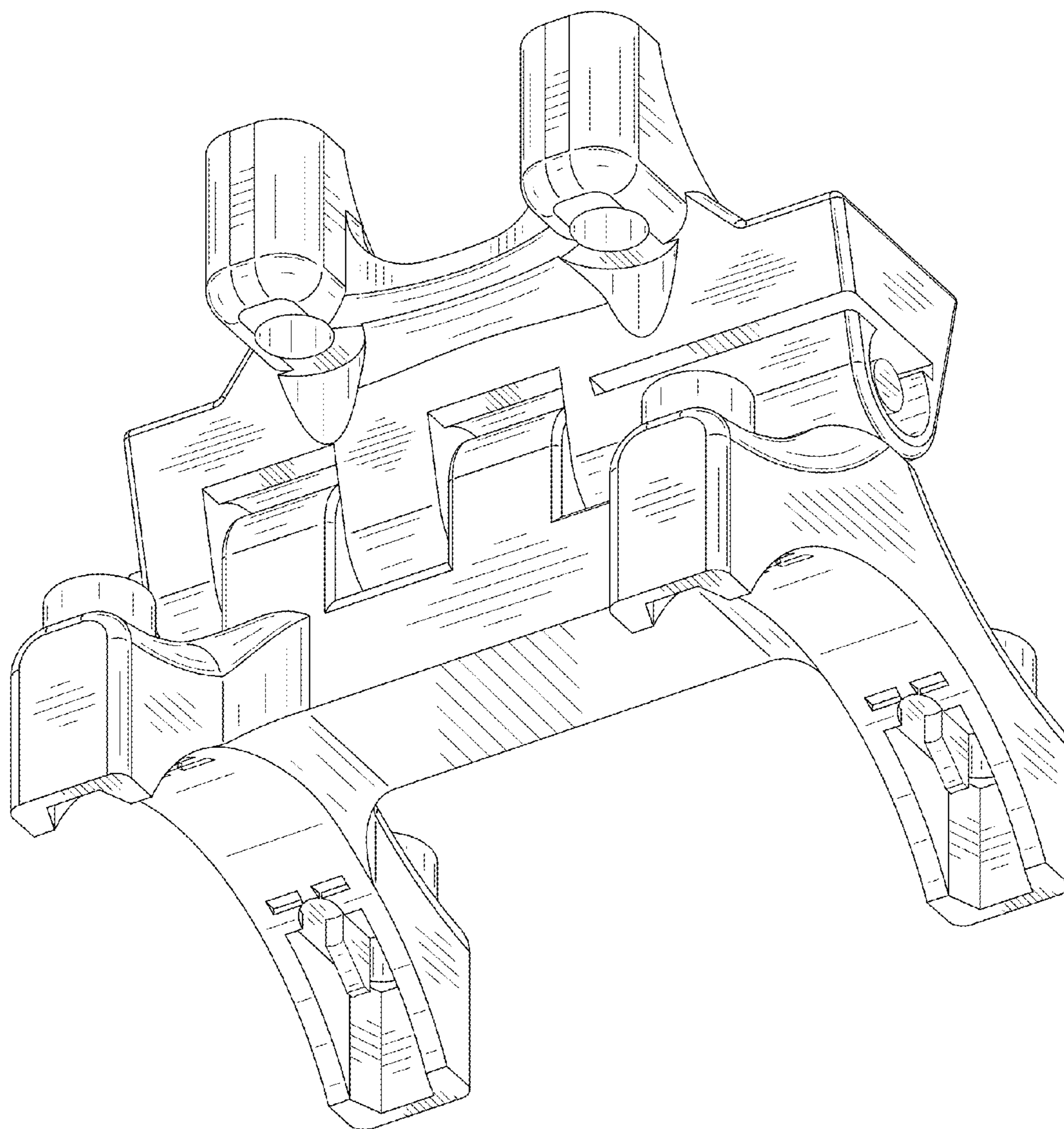


FIG. 2

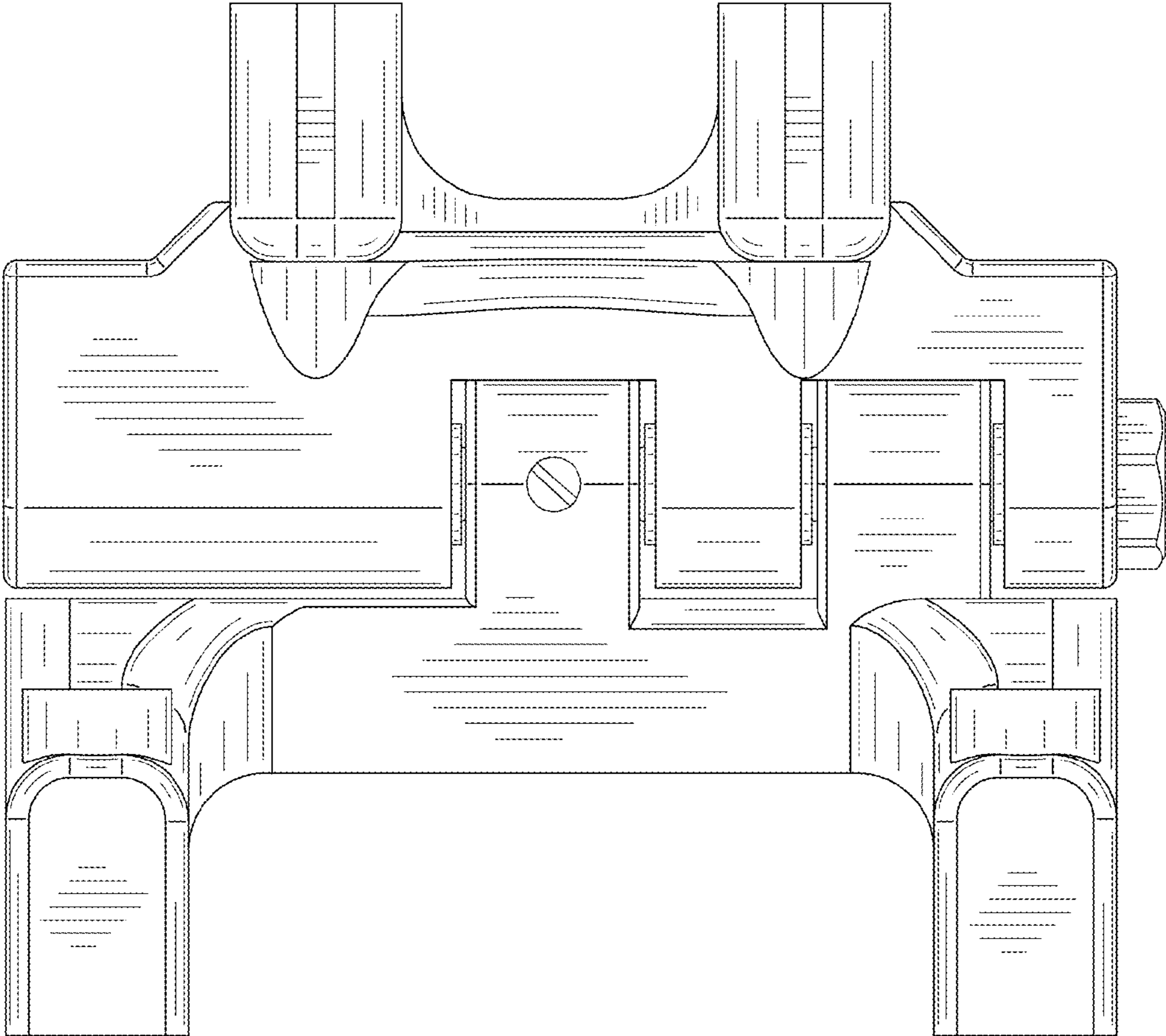


FIG. 3

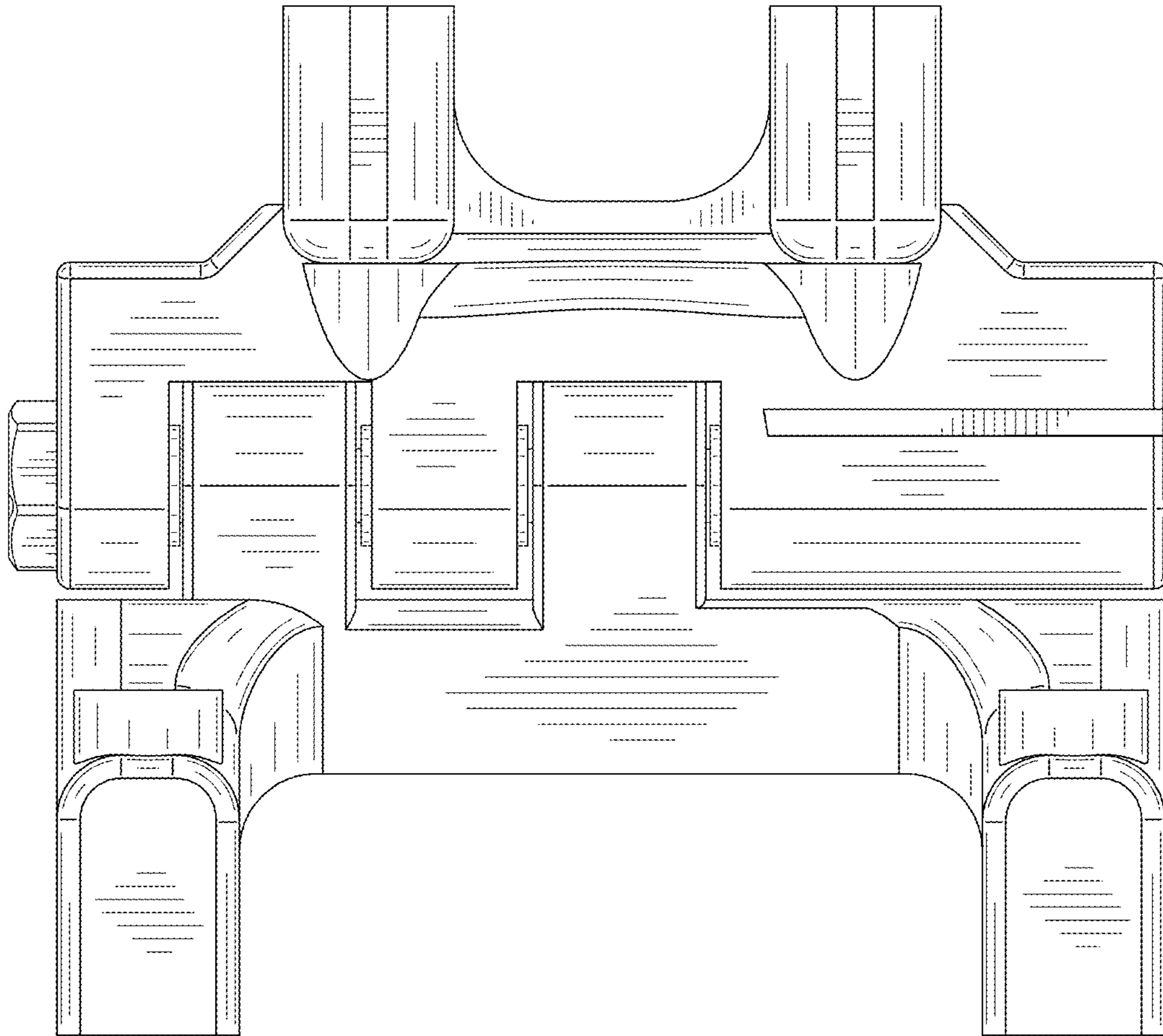


FIG. 4

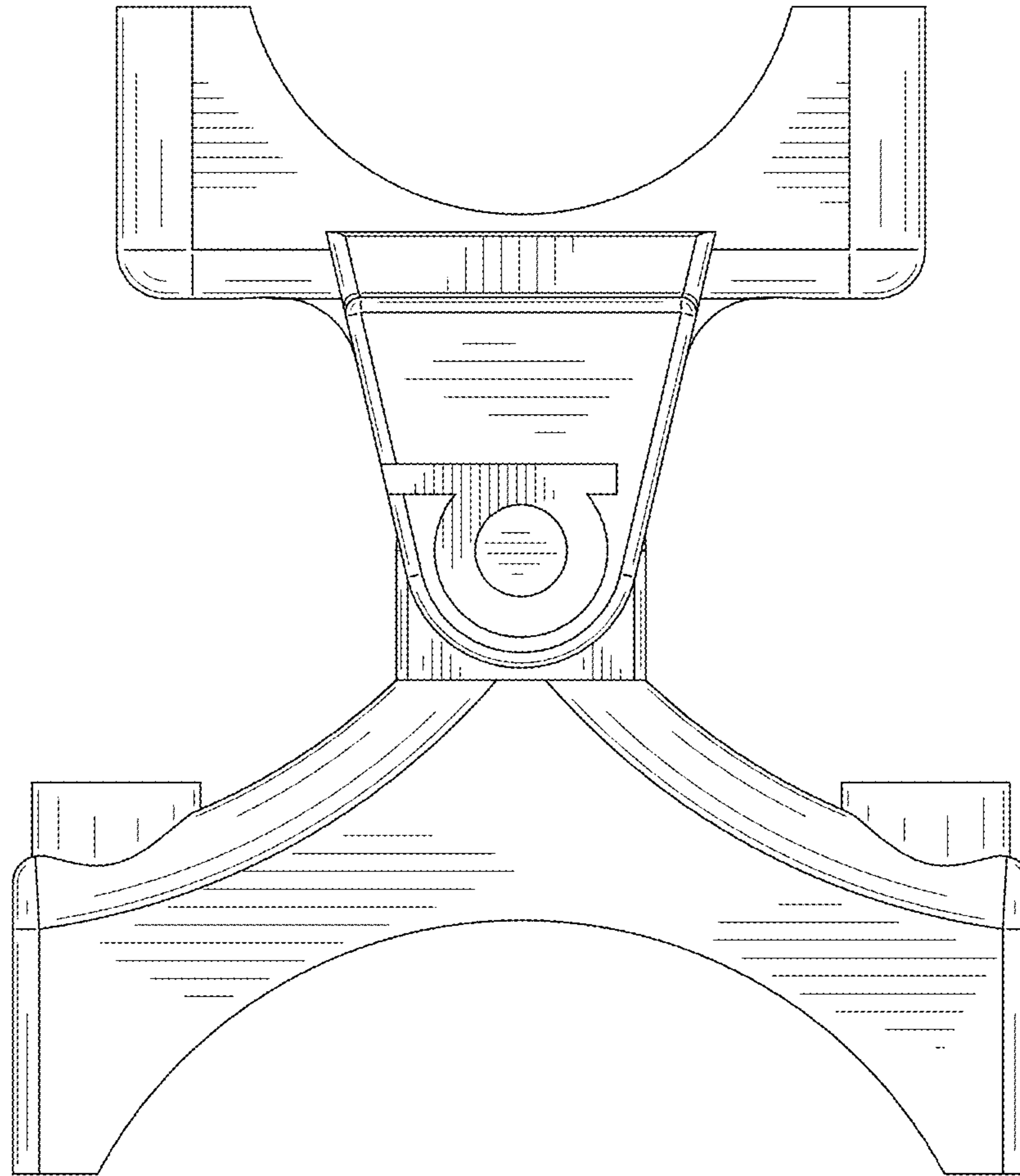


FIG. 5

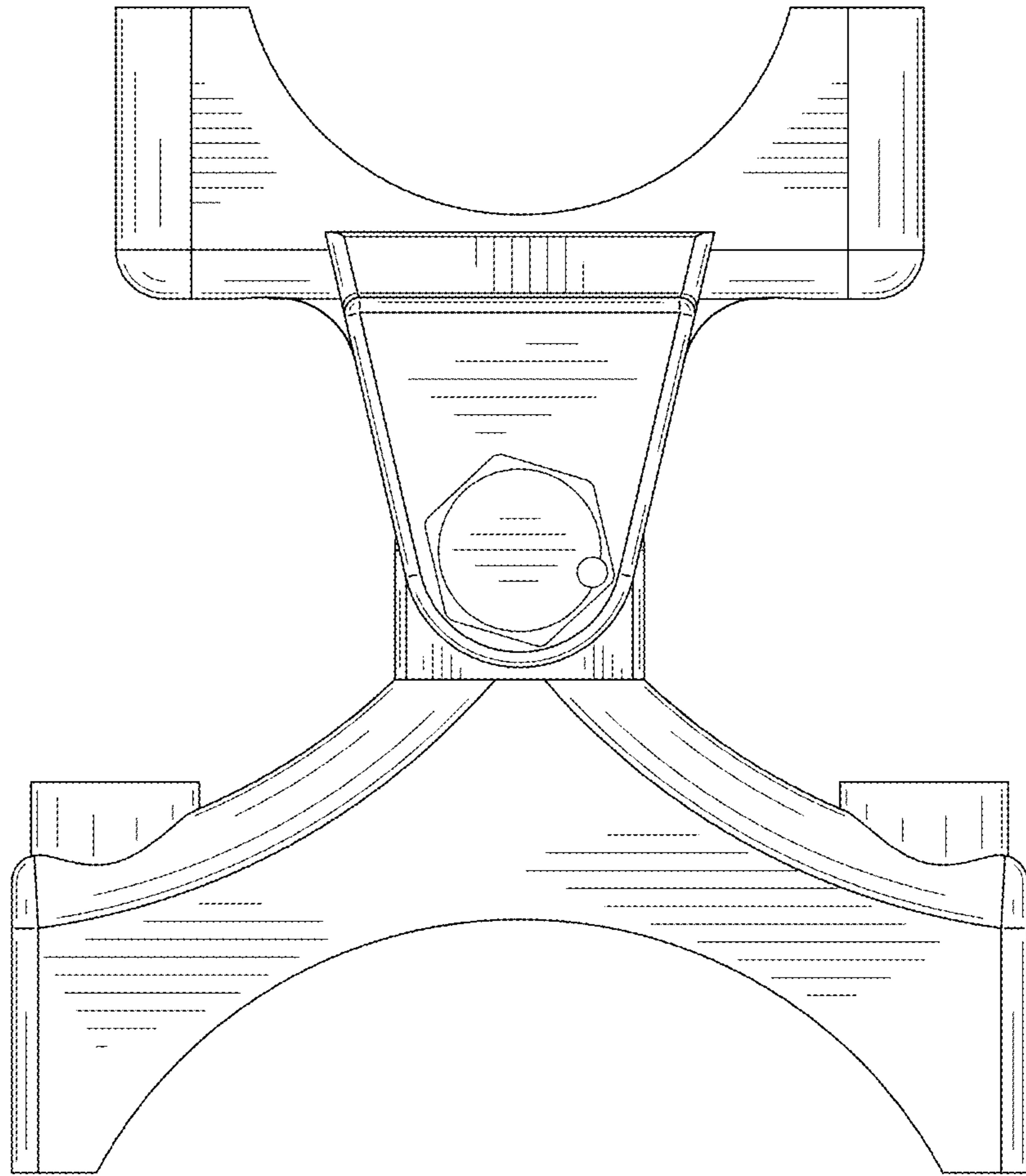


FIG. 6

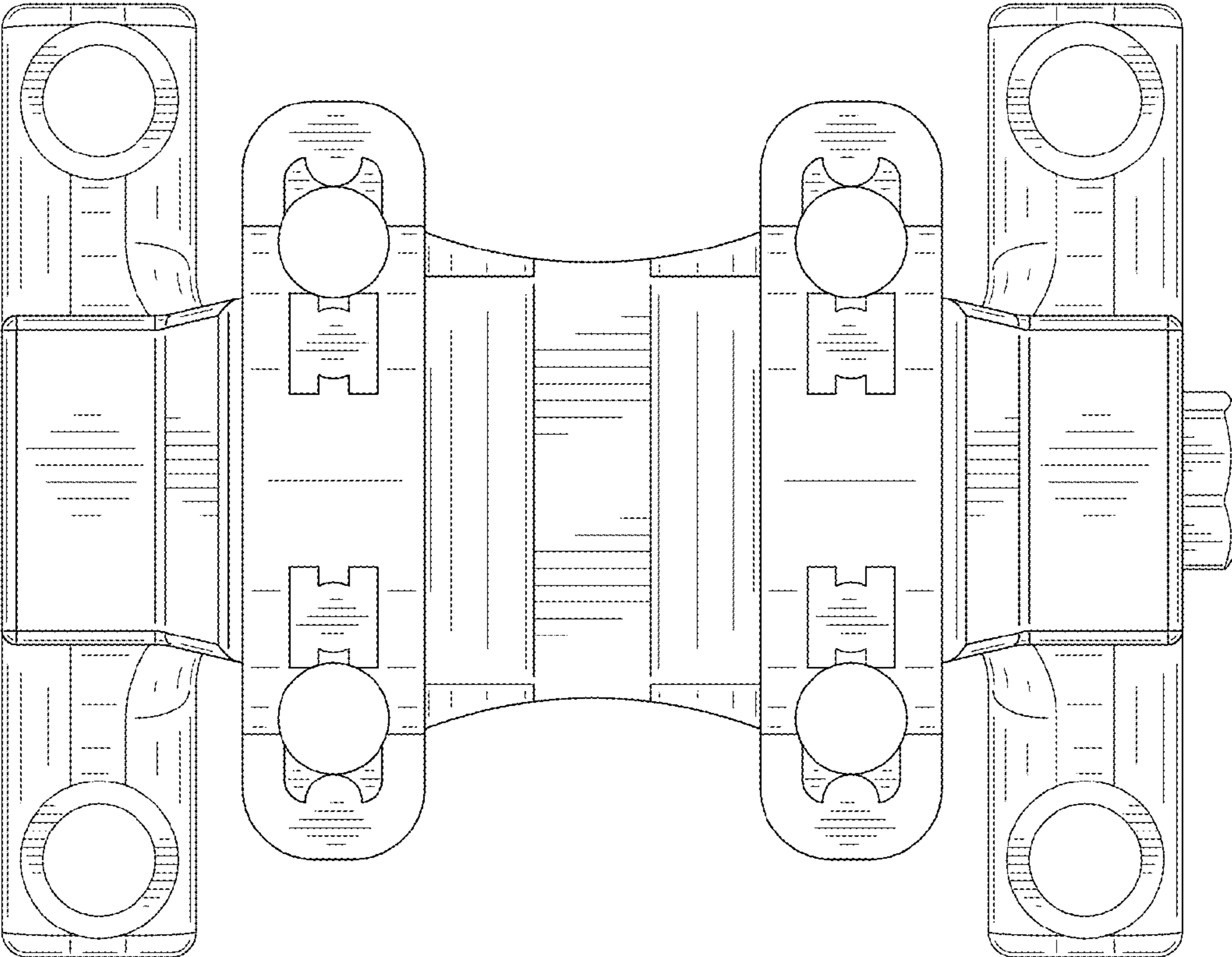


FIG. 7



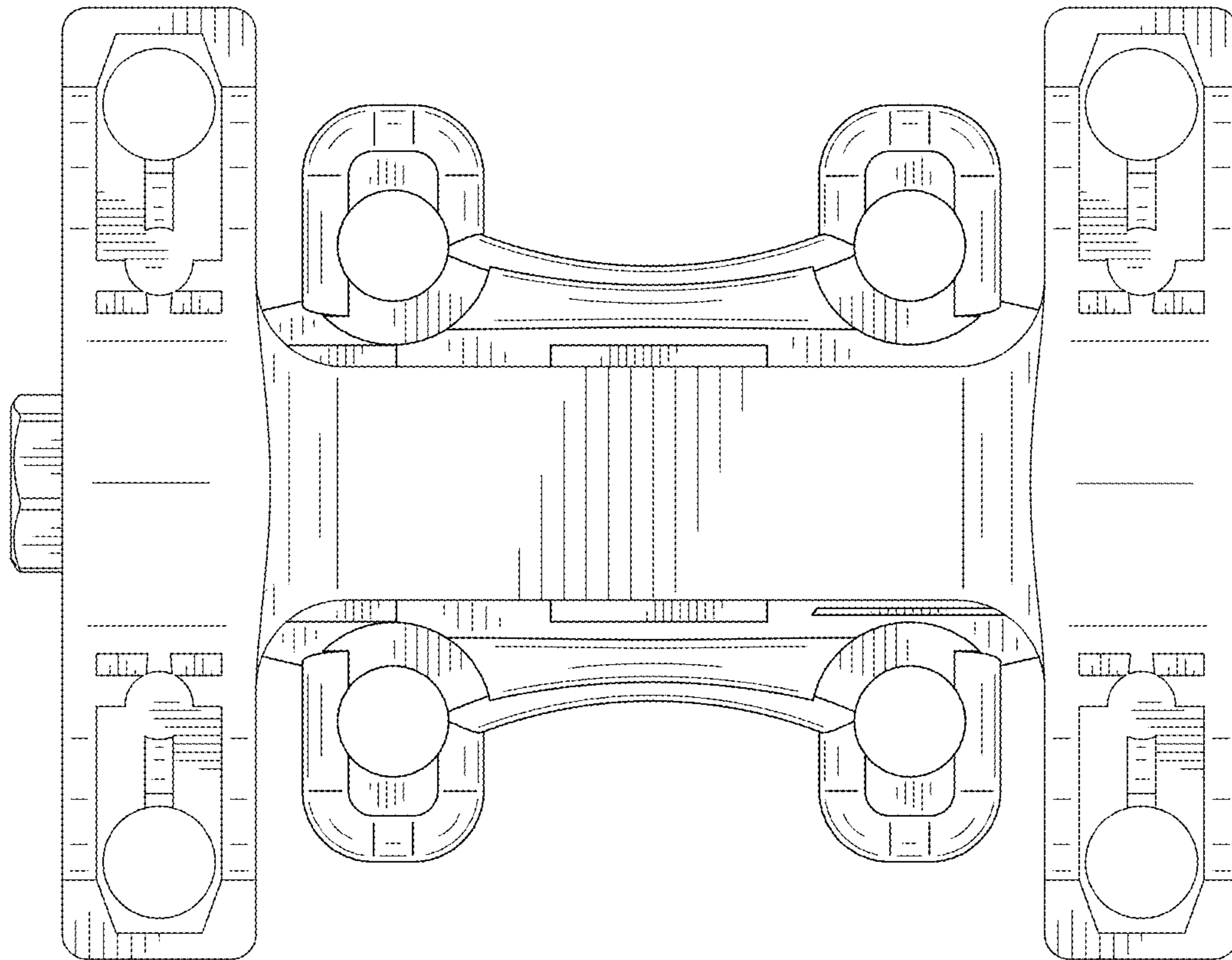


FIG. 8

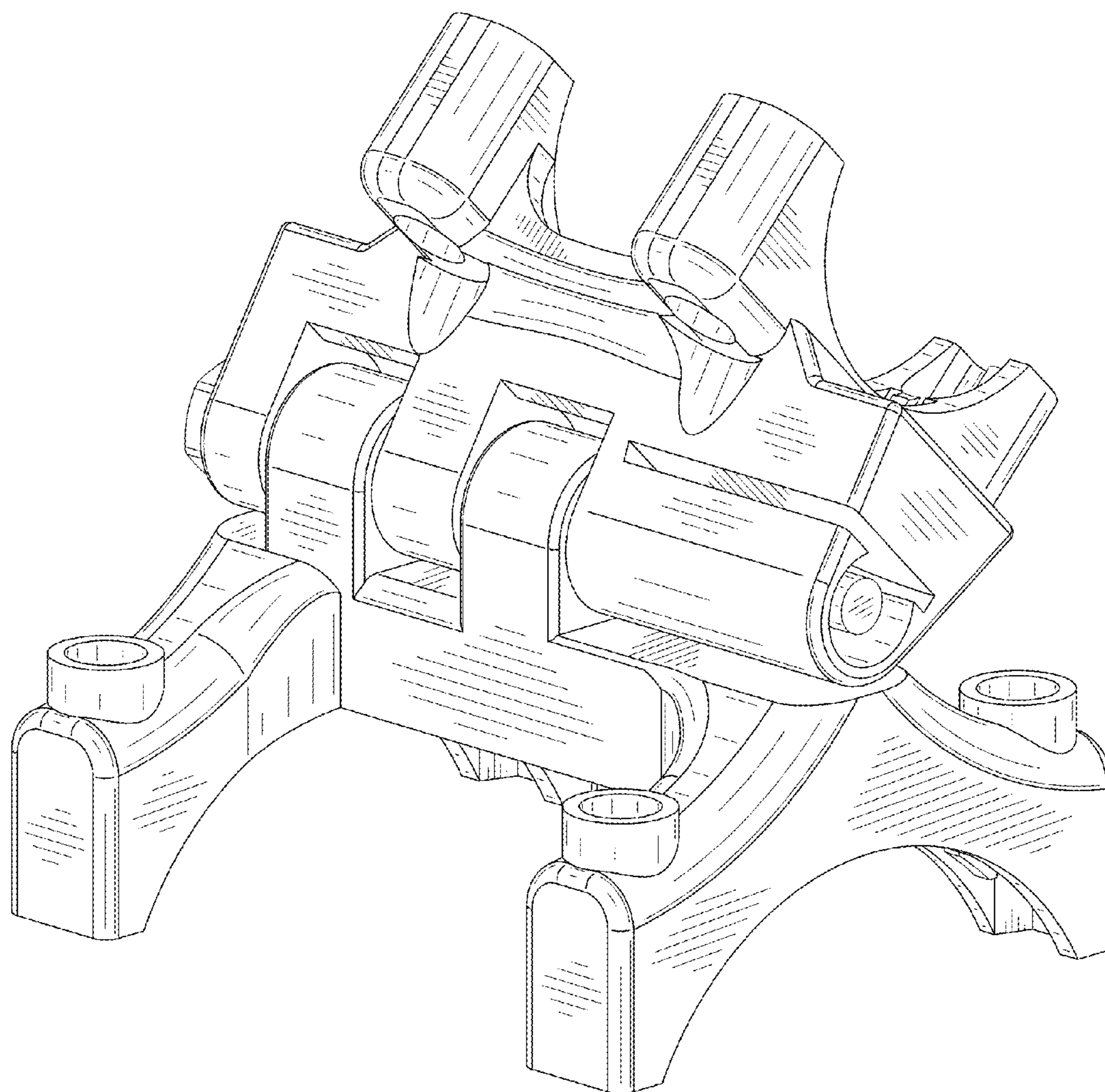


FIG. 9