



US00D728342S

(12) **United States Design Patent**
Han

(10) **Patent No.:** **US D728,342 S**

(45) **Date of Patent:** **** May 5, 2015**

(54) **CABINET KNOB**

(71) Applicant: **Hardware Resources, Inc.**, Bossier City, LA (US)

(72) Inventor: **Kukjin Han**, High Point, NC (US)

(73) Assignee: **Hardware Resources, Inc.**, Bossier City, LA (US)

(**) Term: **14 Years**

(21) Appl. No.: **29/493,165**

(22) Filed: **Jun. 5, 2014**

(51) **LOC (10) Cl.** **08-06**

(52) **U.S. Cl.**
USPC **D8/307**

(58) **Field of Classification Search**
USPC D8/300, 305, 307, 310, 311, 312,
D8/DIG. 1, DIG. 2; D7/393; D23/250, 254;
D11/89.9, 223; 16/110.1, 413, 414,
16/415, 417, 422, 441, DIG. 30;
292/336.3, 347

See application file for complete search history.

(56) **References Cited**

U.S. PATENT DOCUMENTS

D64,095 S *	2/1924	Yates	D8/307
D65,142 S *	7/1924	Roth	D8/307
D588,896 S *	3/2009	Ricereto	D8/307
D613,823 S *	4/2010	Sofield	D23/250
D718,111 S *	11/2014	Han	D8/307

* cited by examiner

Primary Examiner — Derrick Holland

Assistant Examiner — Lauren Calve

(74) *Attorney, Agent, or Firm* — Schultz & Associates, P.C.

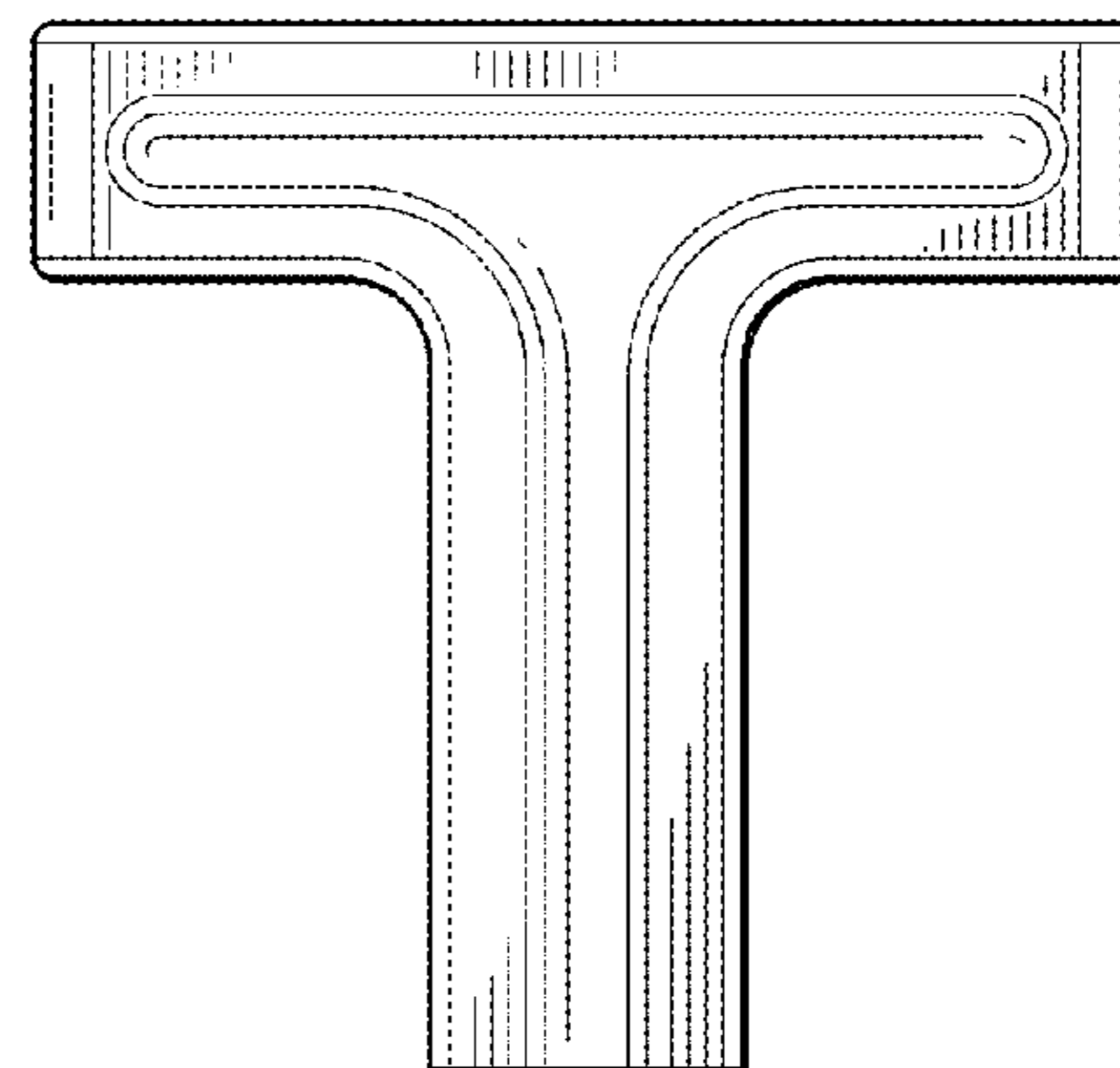
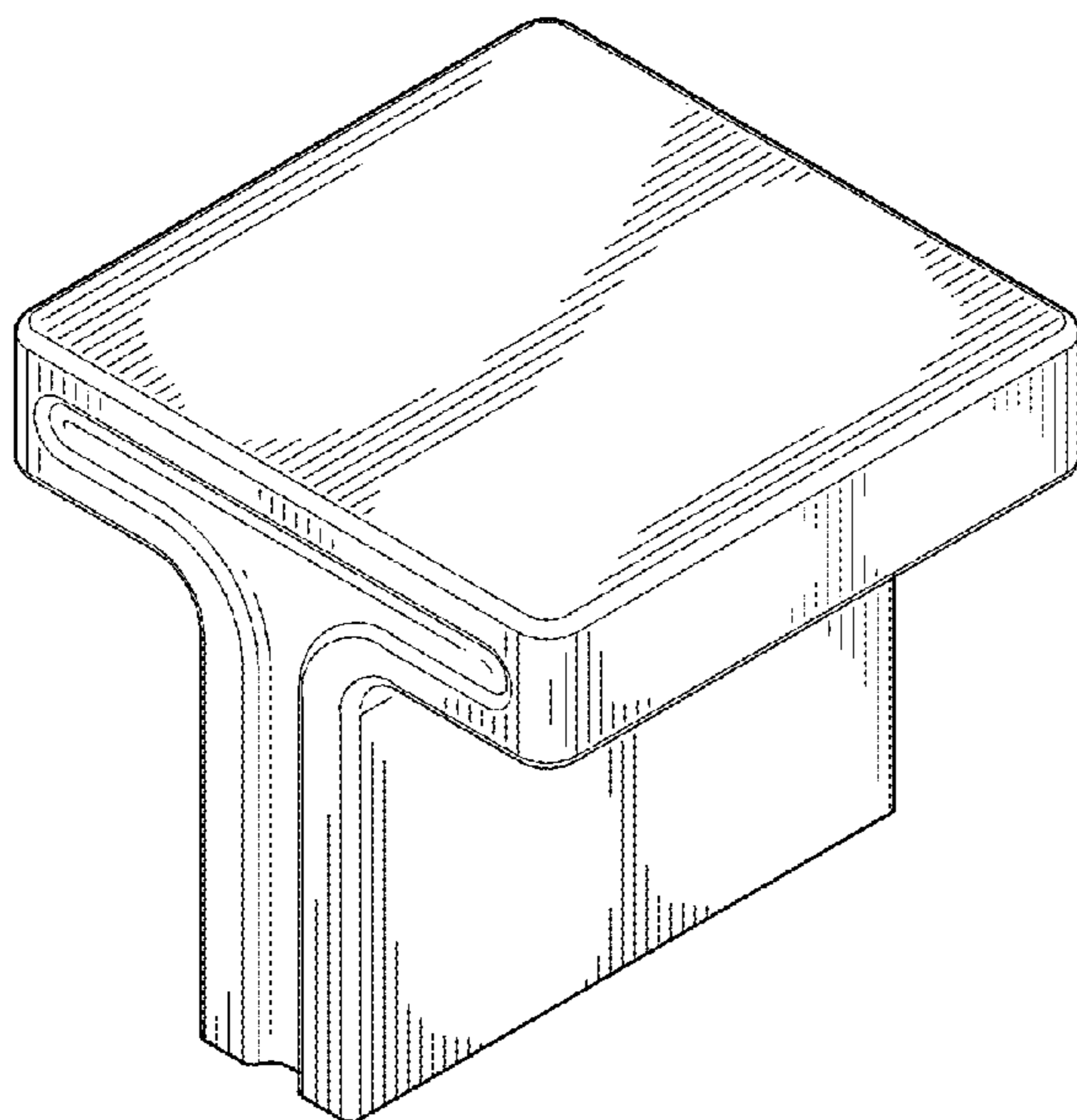
(57) **CLAIM**

The ornamental design for a cabinet knob, as shown and described.

DESCRIPTION

FIG. 1 is a perspective view of a cabinet knob showing my new design;
FIG. 2 is a side elevation view thereof;
FIG. 3 is a second side elevation view thereof;
FIG. 4 is a top plan view thereof; and,
FIG. 5 is a bottom plan view thereof.
The broken lines shown represent unclaimed subject matter and form no part of the claimed design.

1 Claim, 2 Drawing Sheets



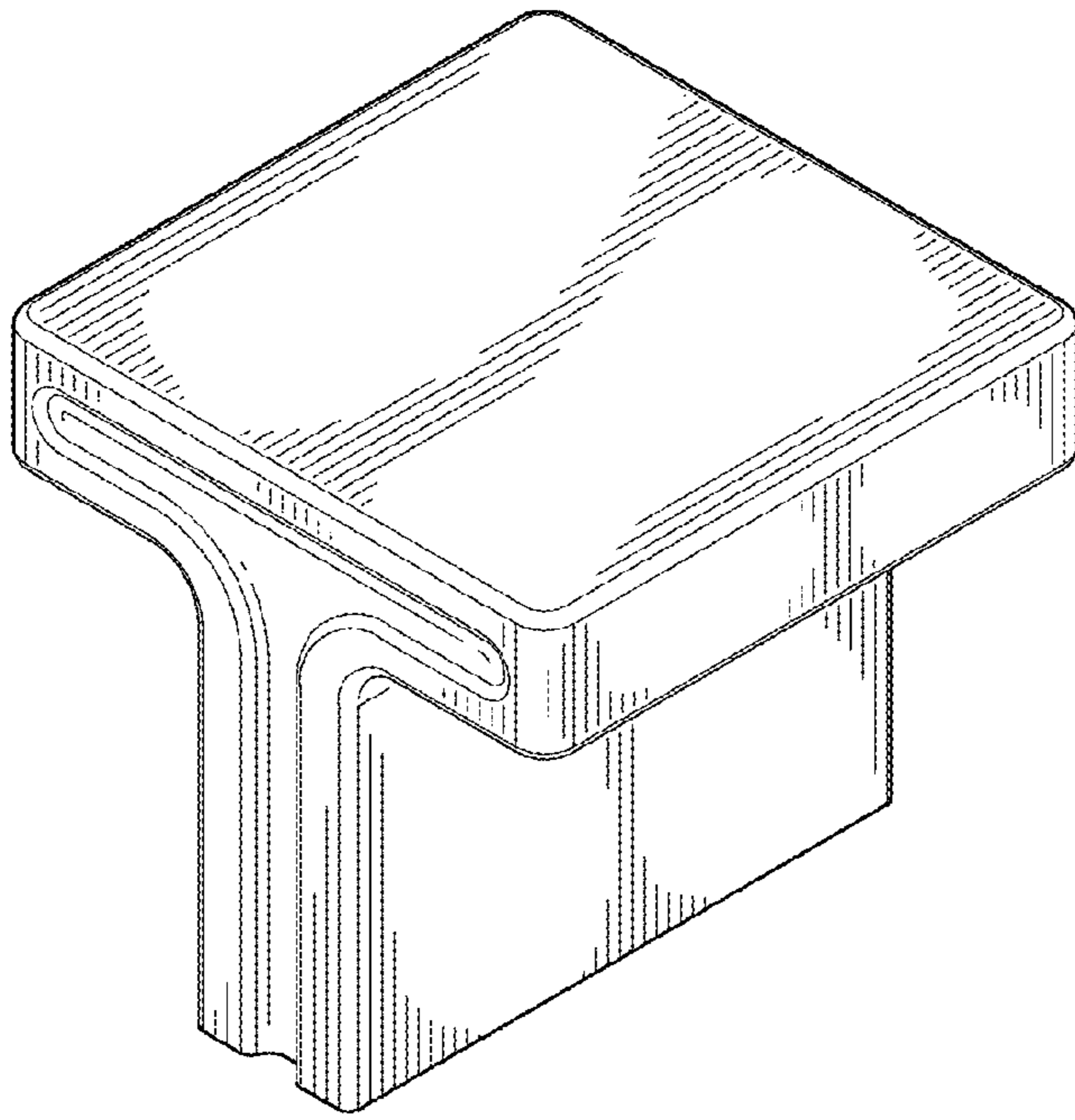


FIG. 1

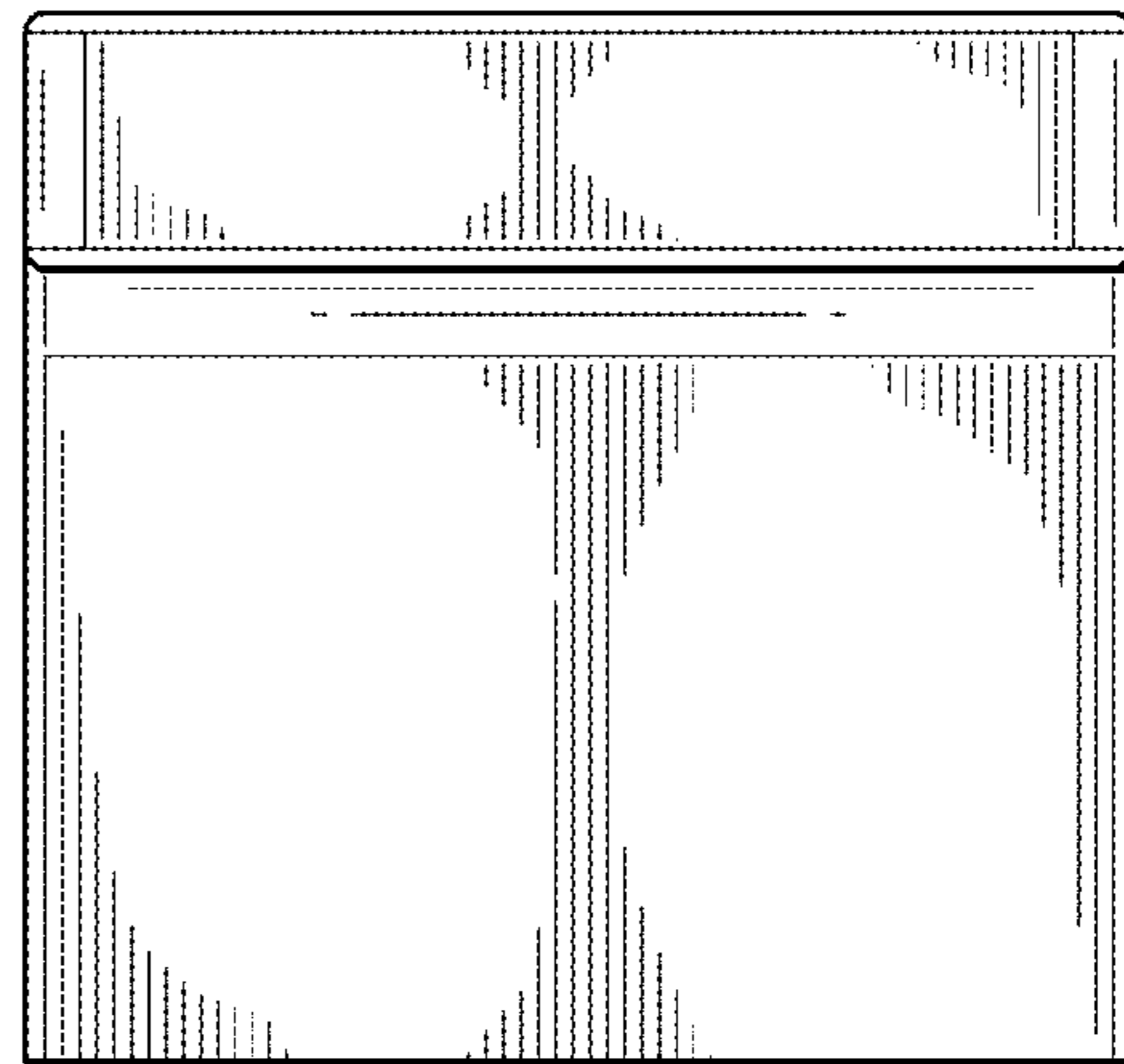


FIG. 2

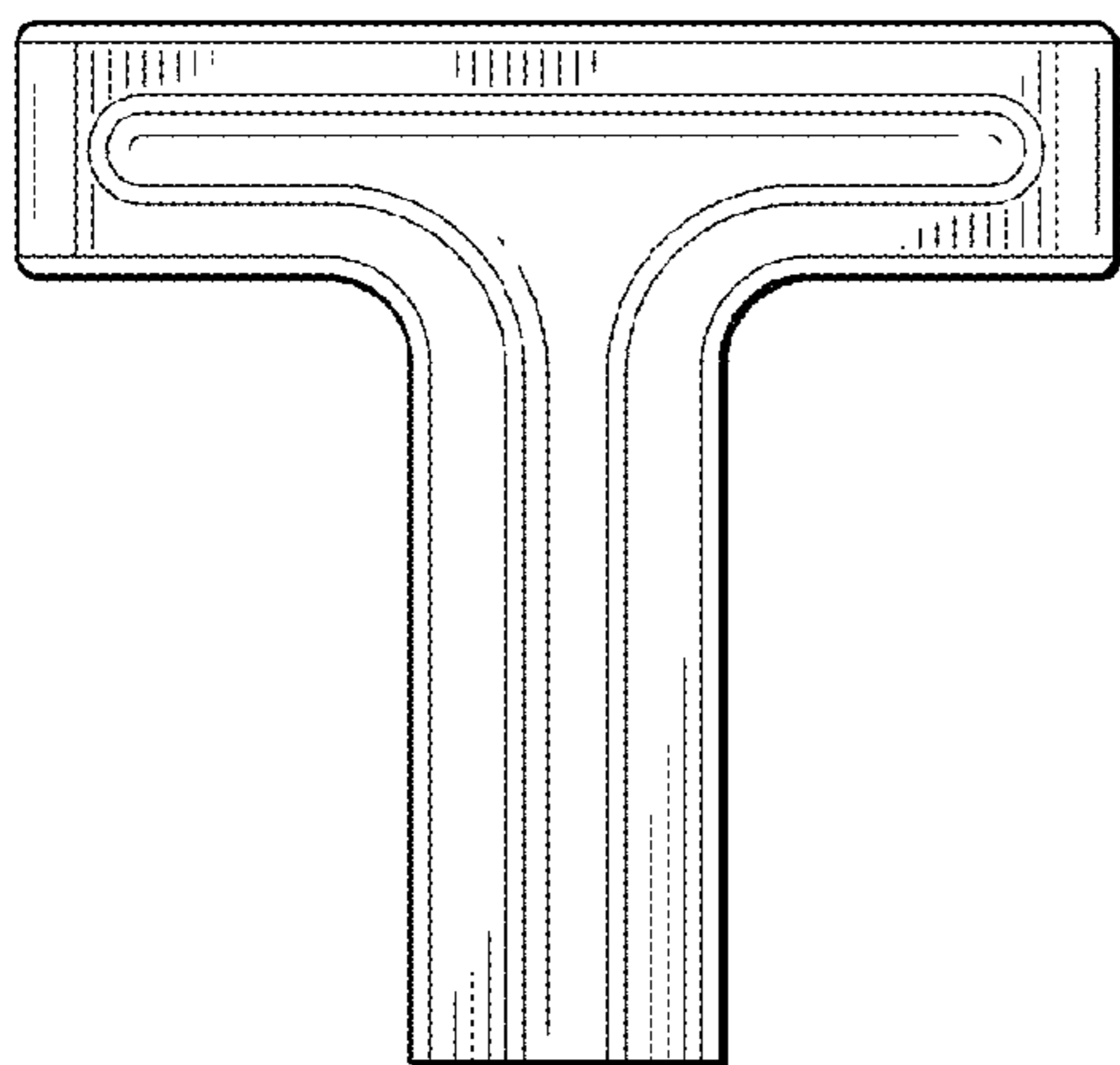


FIG. 3

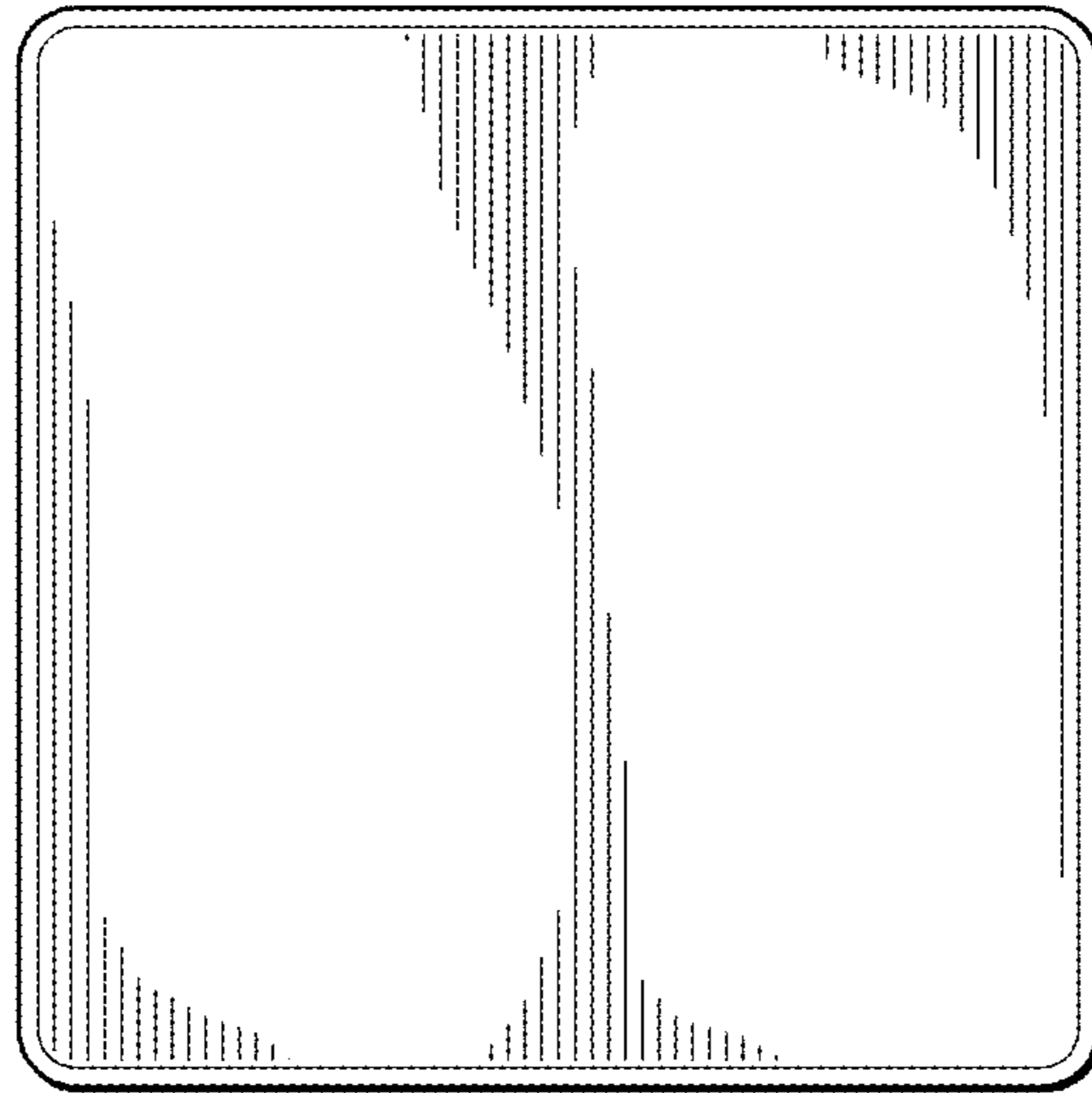


FIG. 4

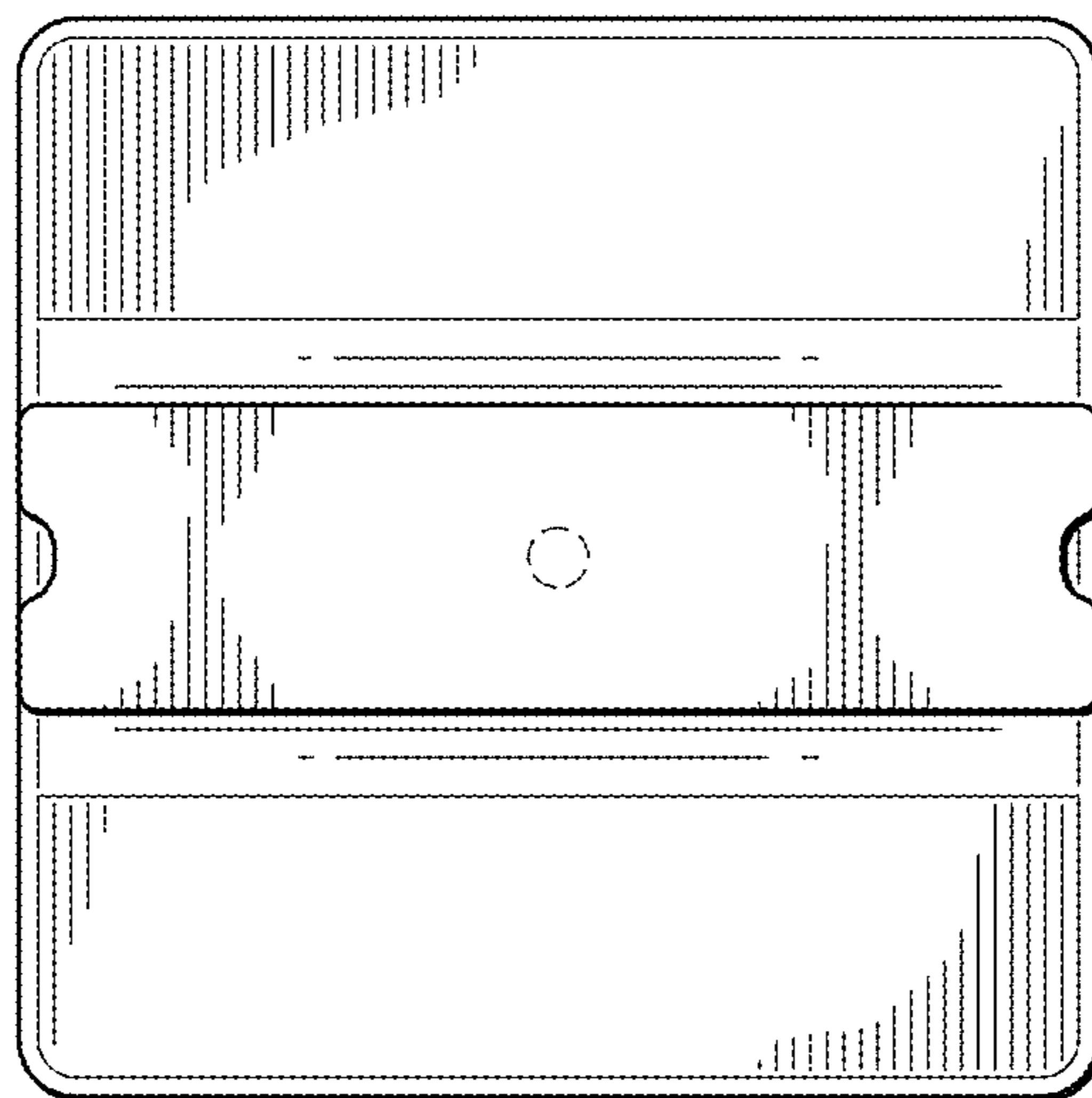


FIG. 5