



US00D728341S

(12) **United States Design Patent**  
**Zimmer**

(10) **Patent No.:** **US D728,341 S**

(45) **Date of Patent:** **\*\* May 5, 2015**

(54) **CABINET KNOB**

(71) Applicant: **Hardware Resources, Inc.**, Bossier  
City, LA (US)

(72) Inventor: **Christine Zimmer**, Hillsborough, NJ  
(US)

(73) Assignee: **Hardware Resources, Inc.**, Bossier  
City, LA (US)

(\*\*) Term: **14 Years**

(21) Appl. No.: **29/493,163**

(22) Filed: **Jun. 5, 2014**

(51) **LOC (10) Cl.** ..... **08-06**

(52) **U.S. Cl.**  
USPC ..... **D8/307**

(58) **Field of Classification Search**  
USPC ..... D8/300, 305, 307, 310, 311, 312,  
D8/DIG. 1, DIG. 2; D7/393; D23/250, 254;  
D11/89.9, 223; 16/110.1, 413, 414,  
16/415, 417, 422, 441, DIG. 30;  
292/336.3, 347

See application file for complete search history.

(56) **References Cited**

U.S. PATENT DOCUMENTS

1,783,097 A *	11/1930	Polcari .....	292/347
D316,592 S *	4/1991	Jans .....	D23/250
D564,333 S *	3/2008	McConnell .....	D8/312
D600,997 S *	9/2009	McConnell .....	D8/310
D708,040 S *	7/2014	Han .....	D8/307

\* cited by examiner

*Primary Examiner* — Derrick Holland

*Assistant Examiner* — Lauren Calve

(74) *Attorney, Agent, or Firm* — Schultz & Associates, P.C.

(57) **CLAIM**

The ornamental design for a cabinet knob, as shown and described.

**DESCRIPTION**

FIG. 1 is a perspective view of a cabinet knob showing my new design;

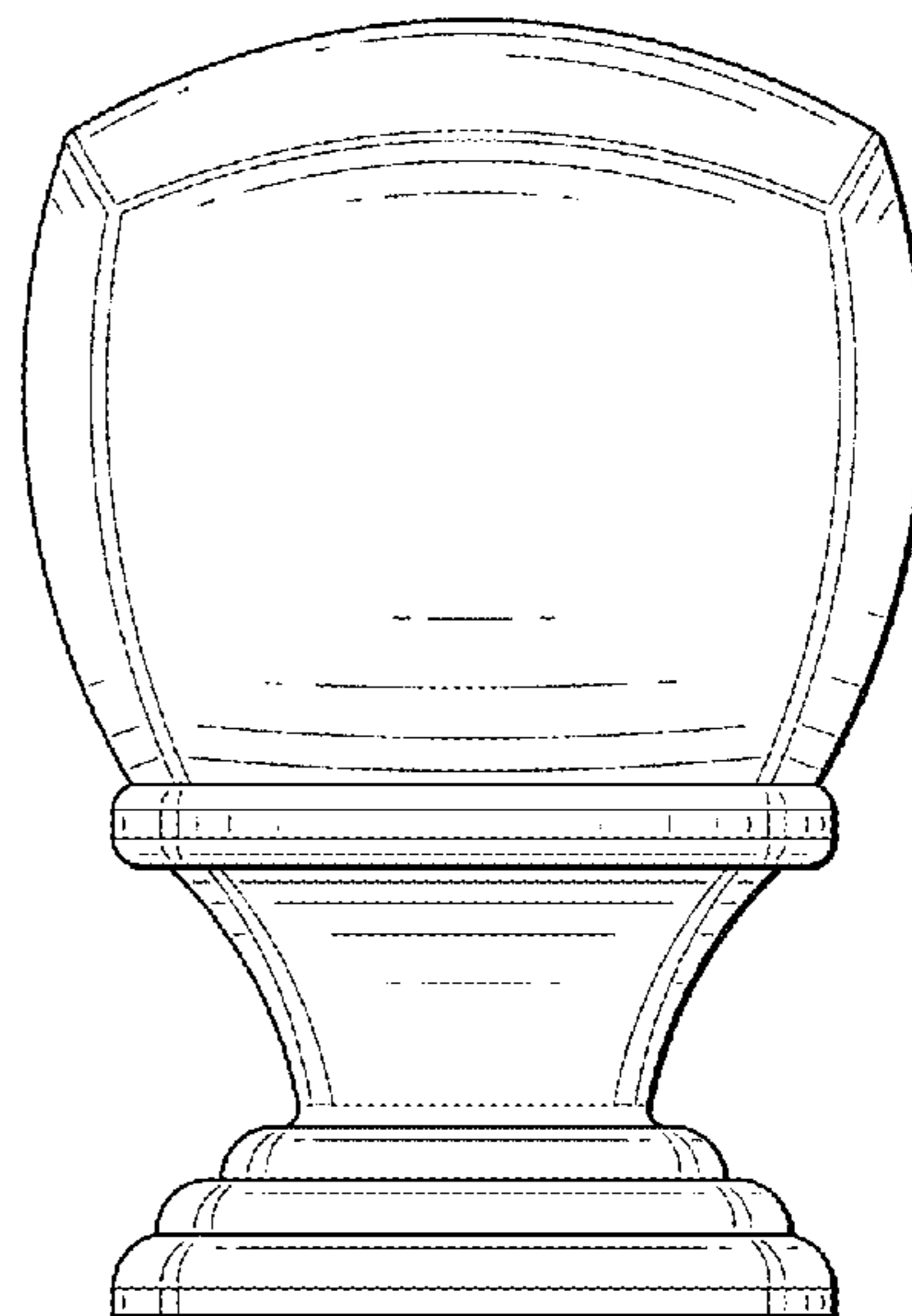
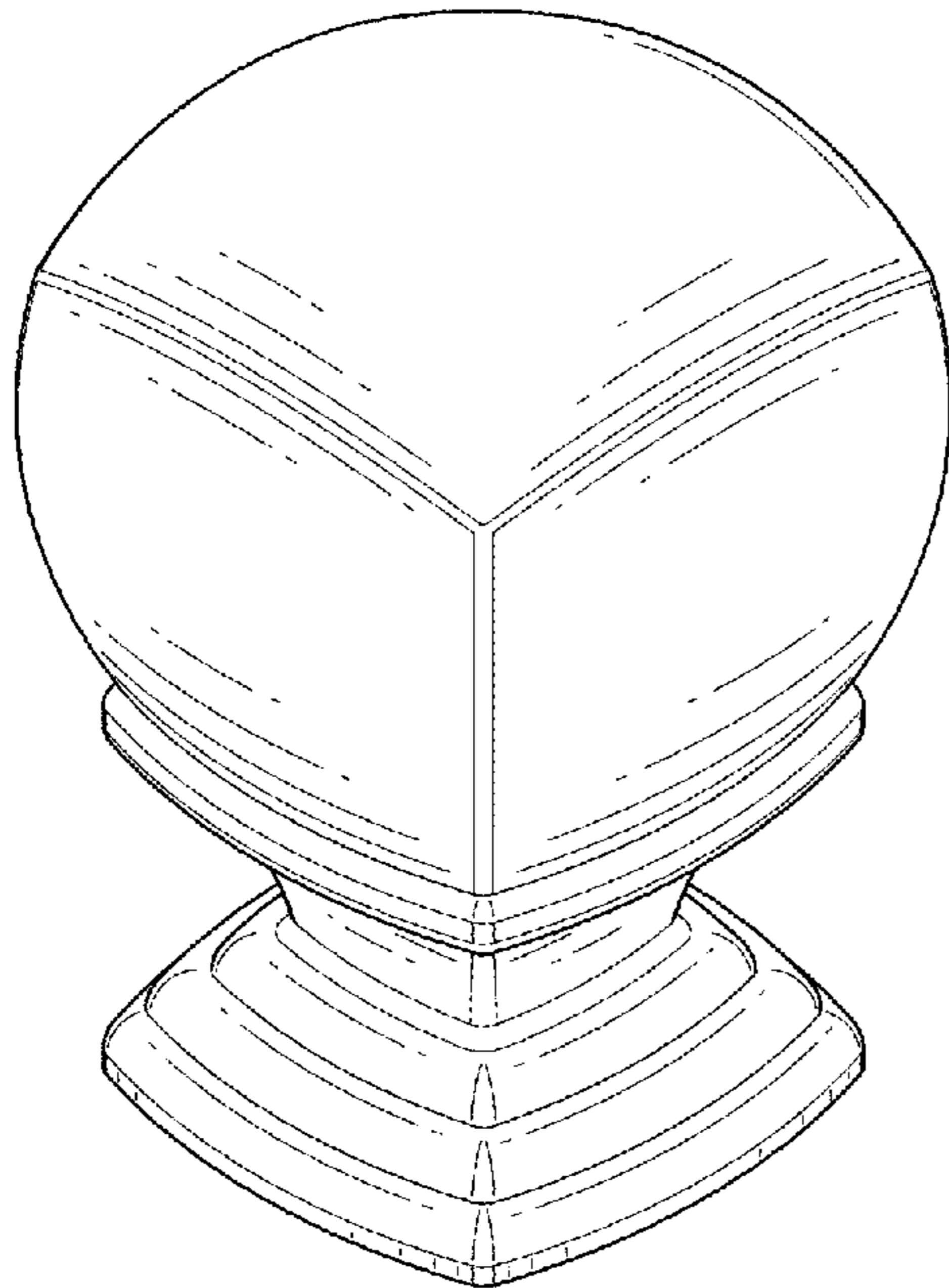
FIG. 2 is a side elevation view thereof;

FIG. 3 is a top plan view thereof; and,

FIG. 4 is a bottom plan view thereof.

The broken lines shown represent unclaimed subject matter and form no part of the claimed design.

**1 Claim, 2 Drawing Sheets**



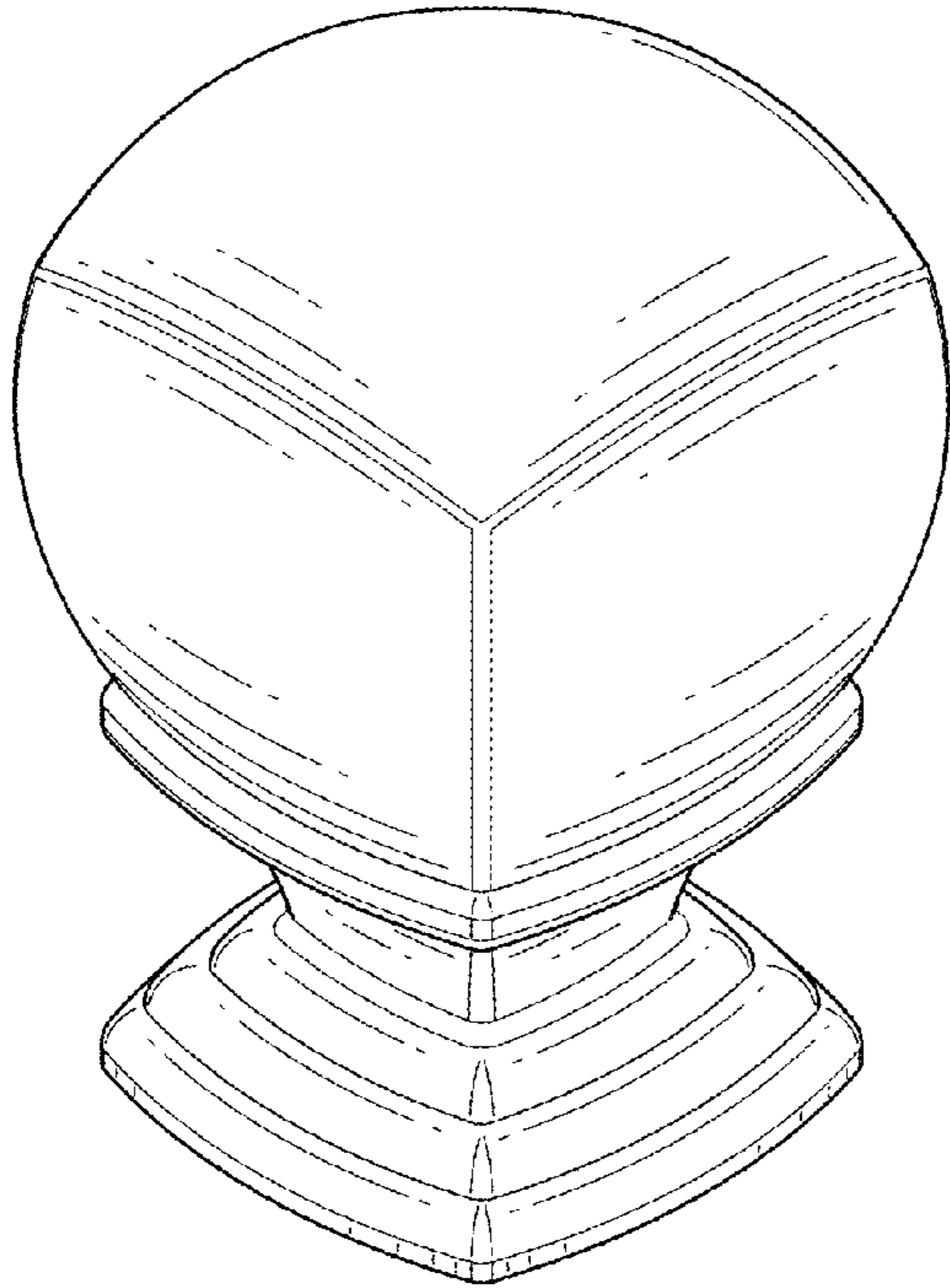


FIG. 1

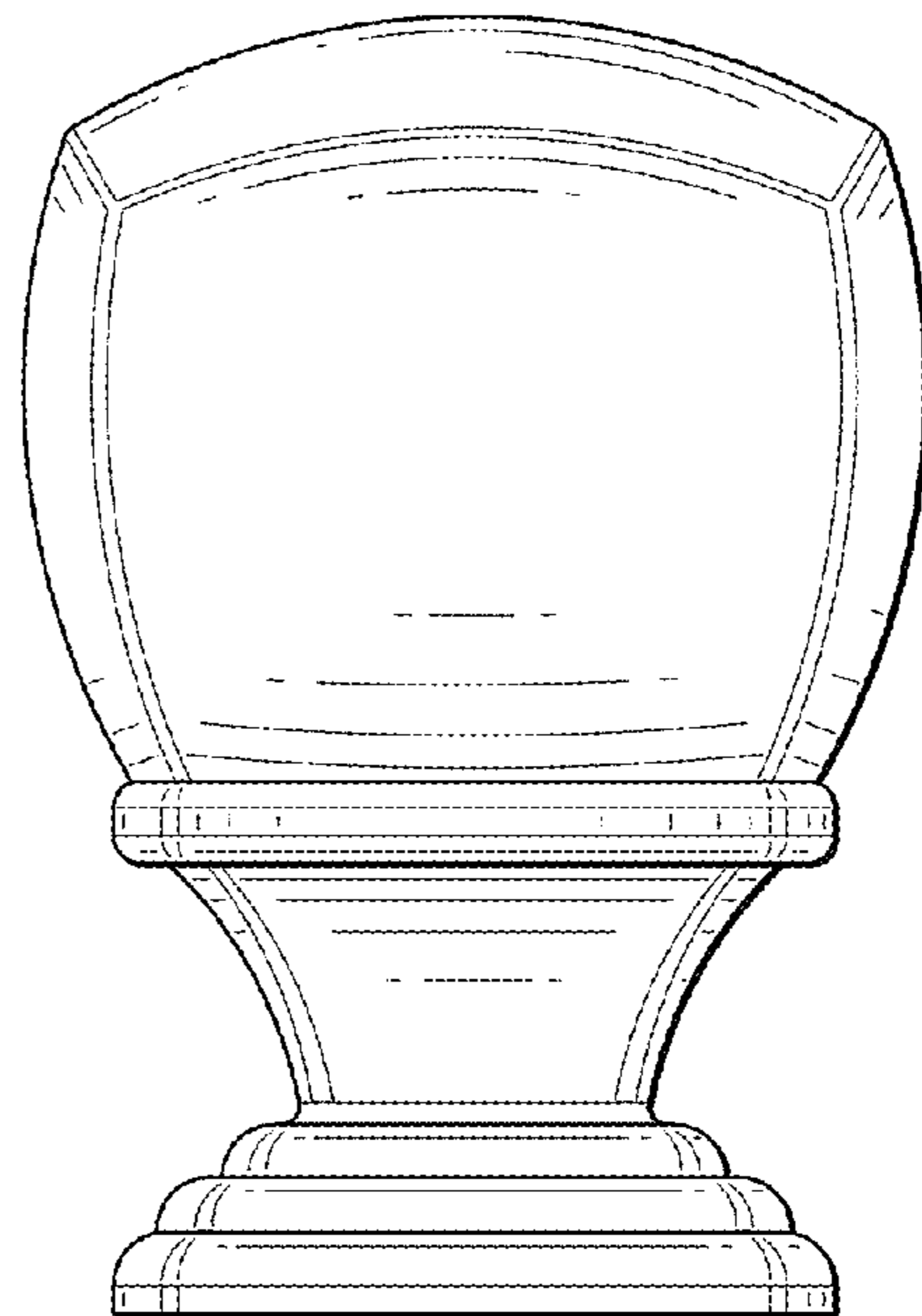


FIG. 2

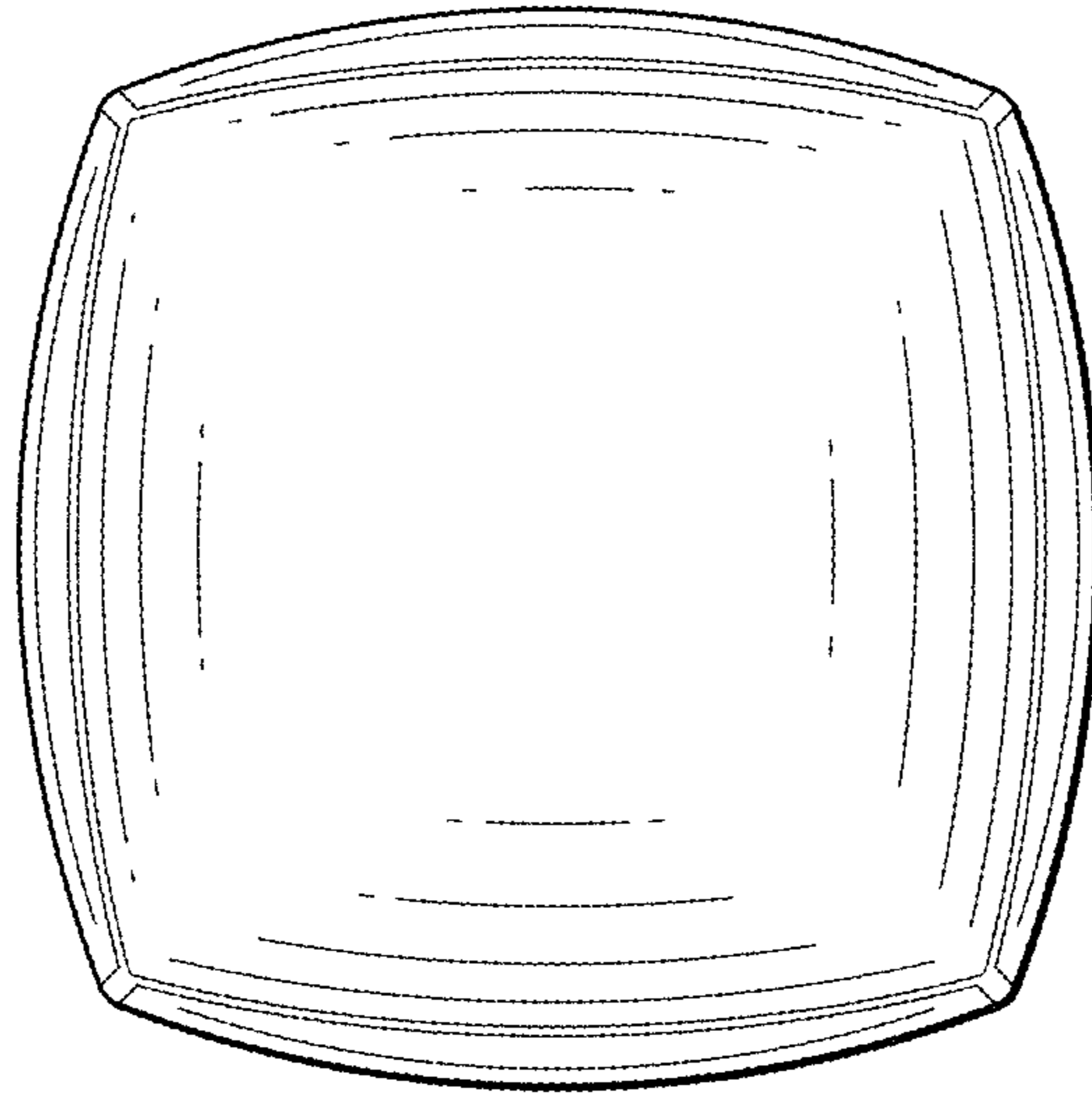


FIG. 3

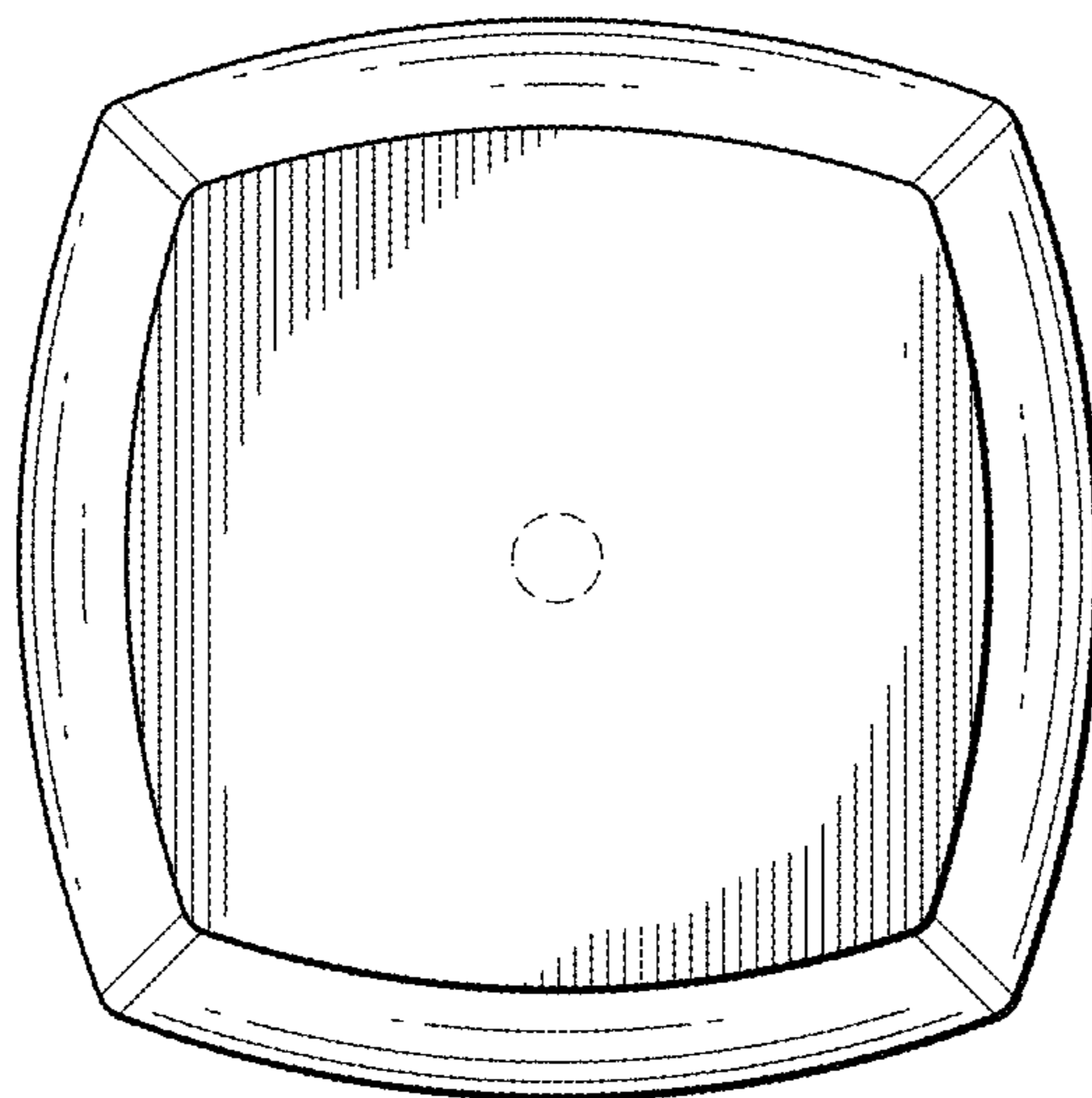


FIG. 4