



US00D728335S

(12) **United States Design Patent**
Watson

(10) **Patent No.:** **US D728,335 S**

(45) **Date of Patent:** **** May 5, 2015**

(54) **BOTTLE OPENER**

(71) Applicant: **Chelsea Watson**, Austin, TX (US)

(72) Inventor: **Chelsea Watson**, Austin, TX (US)

(**) Term: **14 Years**

(21) Appl. No.: **29/453,090**

(22) Filed: **Apr. 25, 2013**

(51) **LOC (10) Cl.** **07-06**

(52) **U.S. Cl.**
USPC **D8/42**

(58) **Field of Classification Search**
CPC B67B 7/0423; B67B 2007/0458;
B67B 7/0441; B67B 7/0405
USPC D8/18, 33-43, 88, 89, 105; 7/113,
7/151-156; 81/3.07, 3.09, 3.2, 3.27,
81/3.29, 3.31, 3.35, 3.37, 3.4, 3.48, 3.49,
81/3.55

See application file for complete search history.

(56) **References Cited**

U.S. PATENT DOCUMENTS

3,451,076	A *	6/1969	Deaver	7/118
D374,801	S *	10/1996	Puig et al.	D8/42
D413,499	S *	9/1999	Anderson et al.	D8/34
D416,773	S *	11/1999	Cellini	D8/42

5,992,269	A *	11/1999	Puig et al.	81/3.35
D421,373	S *	3/2000	Hollinger	D8/42
6,176,154	B1 *	1/2001	Brucart Puig et al.	81/3.47
D490,672	S *	6/2004	Simons	D8/42
D496,571	S *	9/2004	Kay	D8/42
7,272,992	B2 *	9/2007	Farfalli et al.	81/3.09
D576,003	S *	9/2008	Patrizio et al.	D8/40
D586,953	S *	2/2009	Riggio	D27/172
D691,008	S *	10/2013	Watson	D8/34
D706,598	S *	6/2014	Agarwal et al.	D8/42
2007/0051205	A1 *	3/2007	Farfalli et al.	81/3.45
2011/0283840	A1 *	11/2011	Brucart-Puig	81/3.09
2013/0319179	A1 *	12/2013	Colman	81/3.09
2014/0020512	A1 *	1/2014	Burato	81/3.09
2014/0123398	A1 *	5/2014	Brike	7/155

* cited by examiner

Primary Examiner — Elizabeth Albert

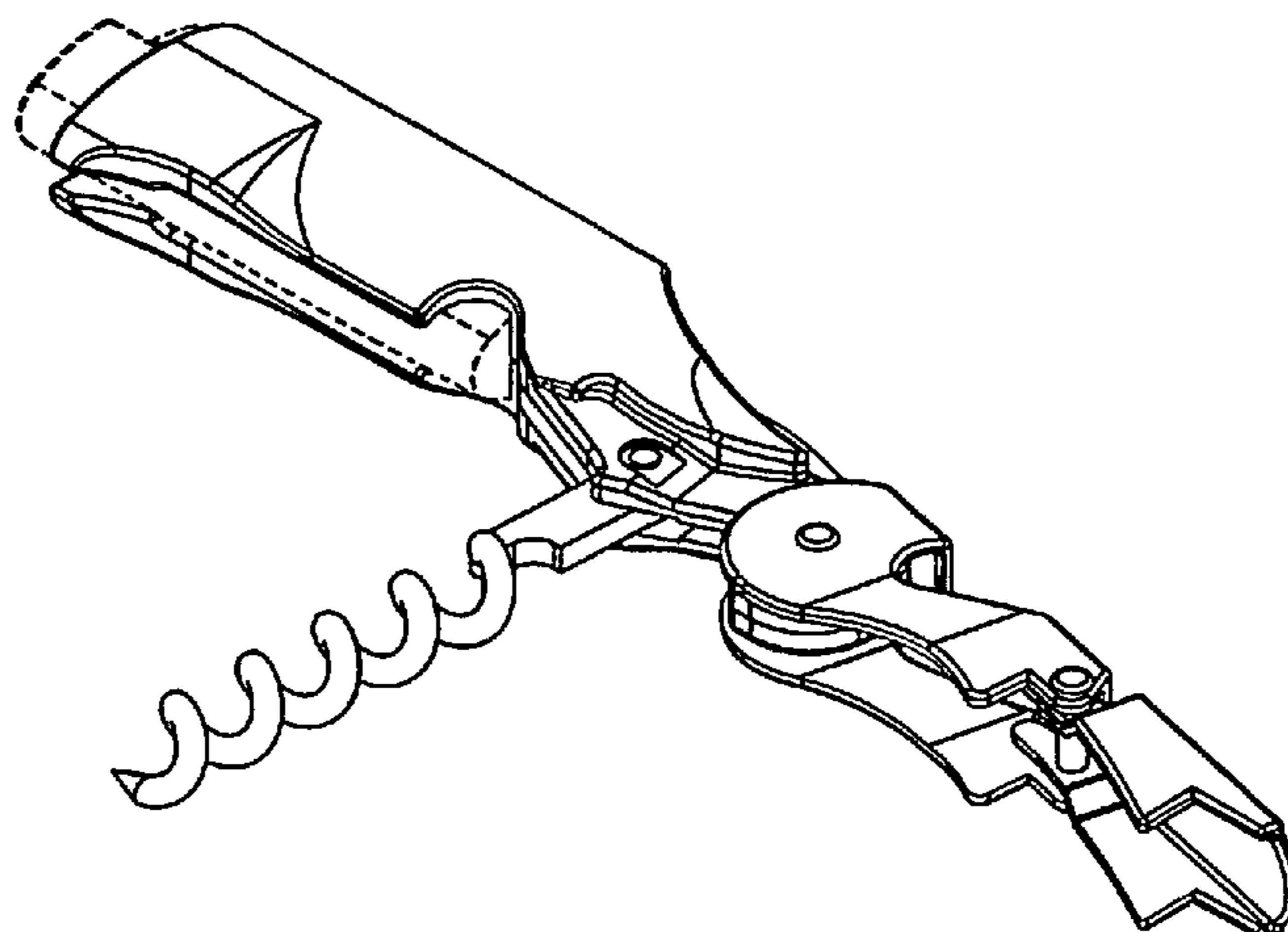
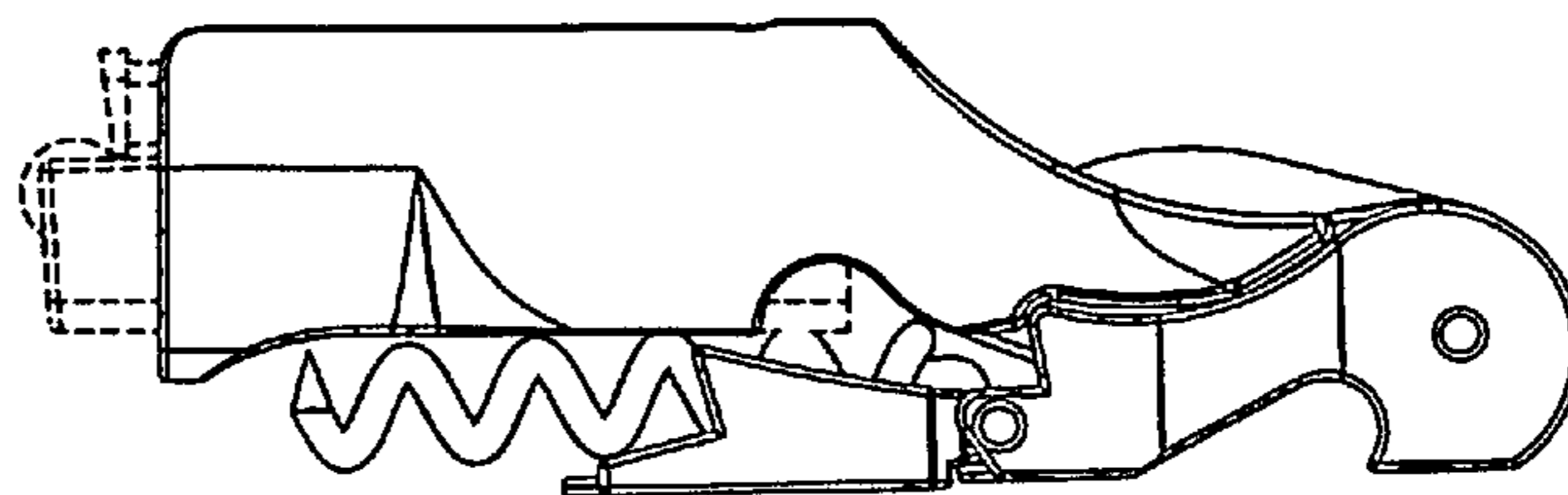
(57) **CLAIM**

The ornamental design for a bottle opener, as shown and described.

DESCRIPTION

FIG. 1 is a left side view of a bottle opener;
FIG. 2 is a right side view thereof;
FIG. 3 is a first perspective view thereof; and,
FIG. 4 is a second perspective view thereof.
The broken lines showing a lighter and cross-head screw are included for the purpose of showing features that form no part of the claimed design.

1 Claim, 2 Drawing Sheets



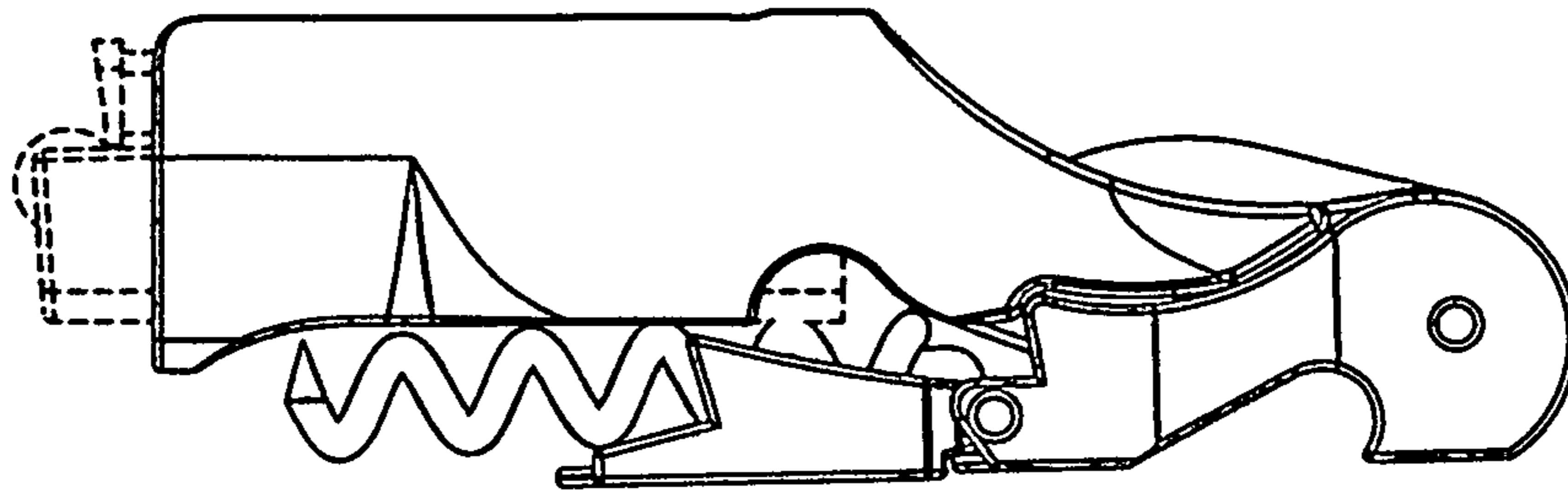


Figure 1

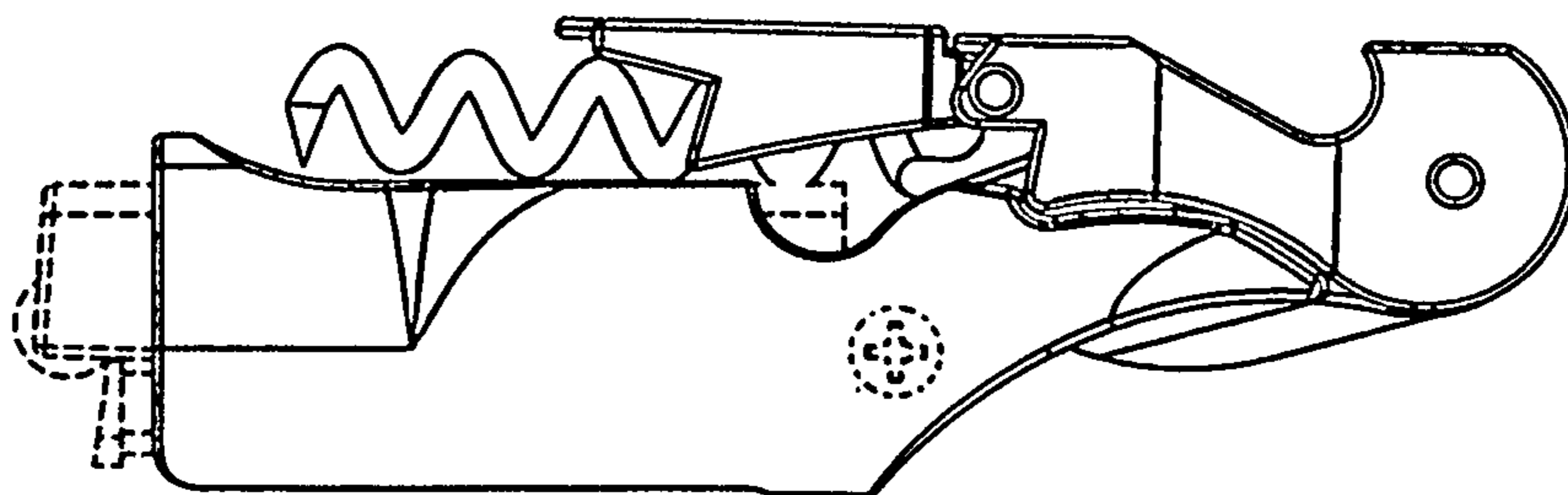


Figure 2

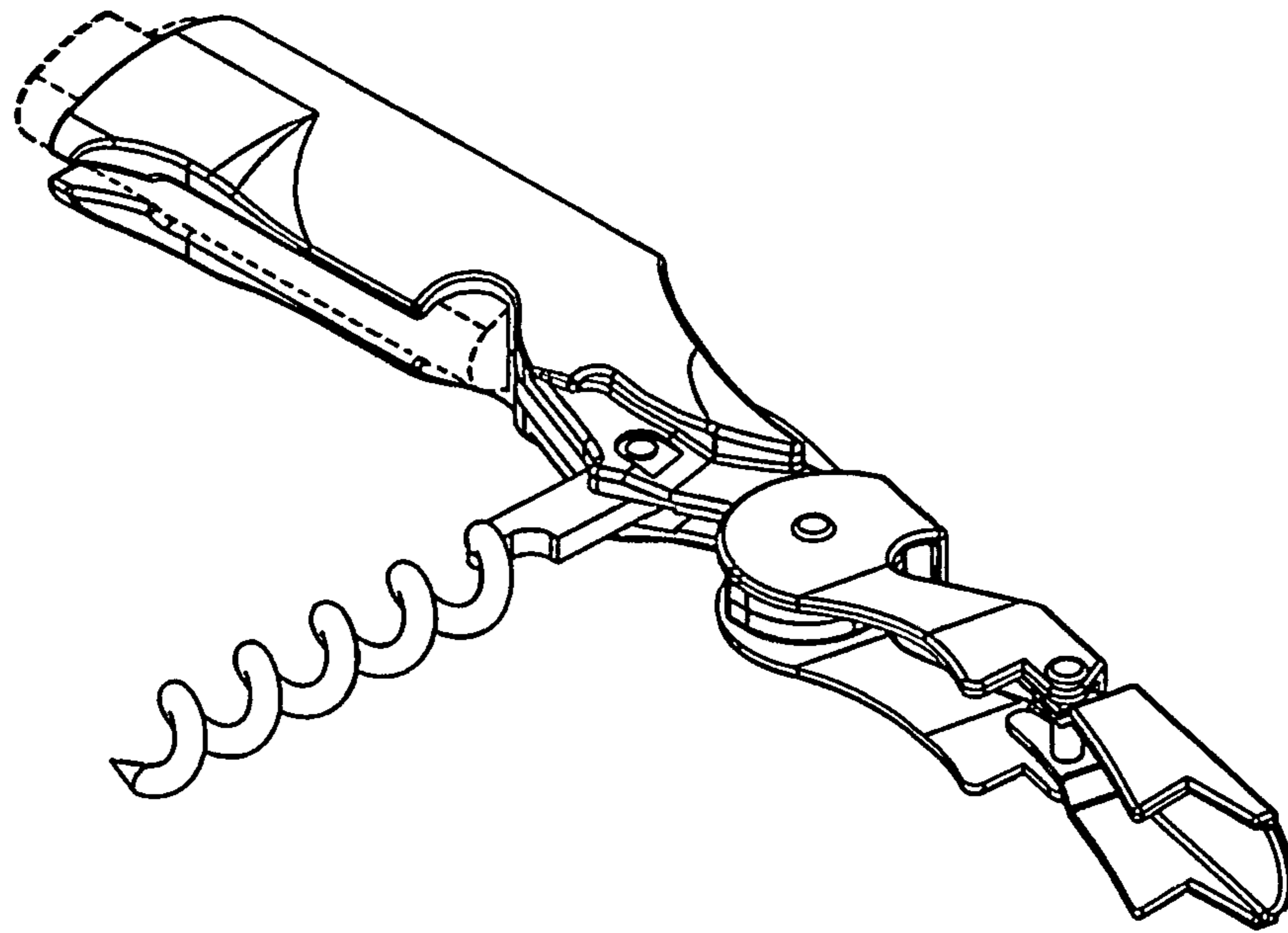


Figure 3

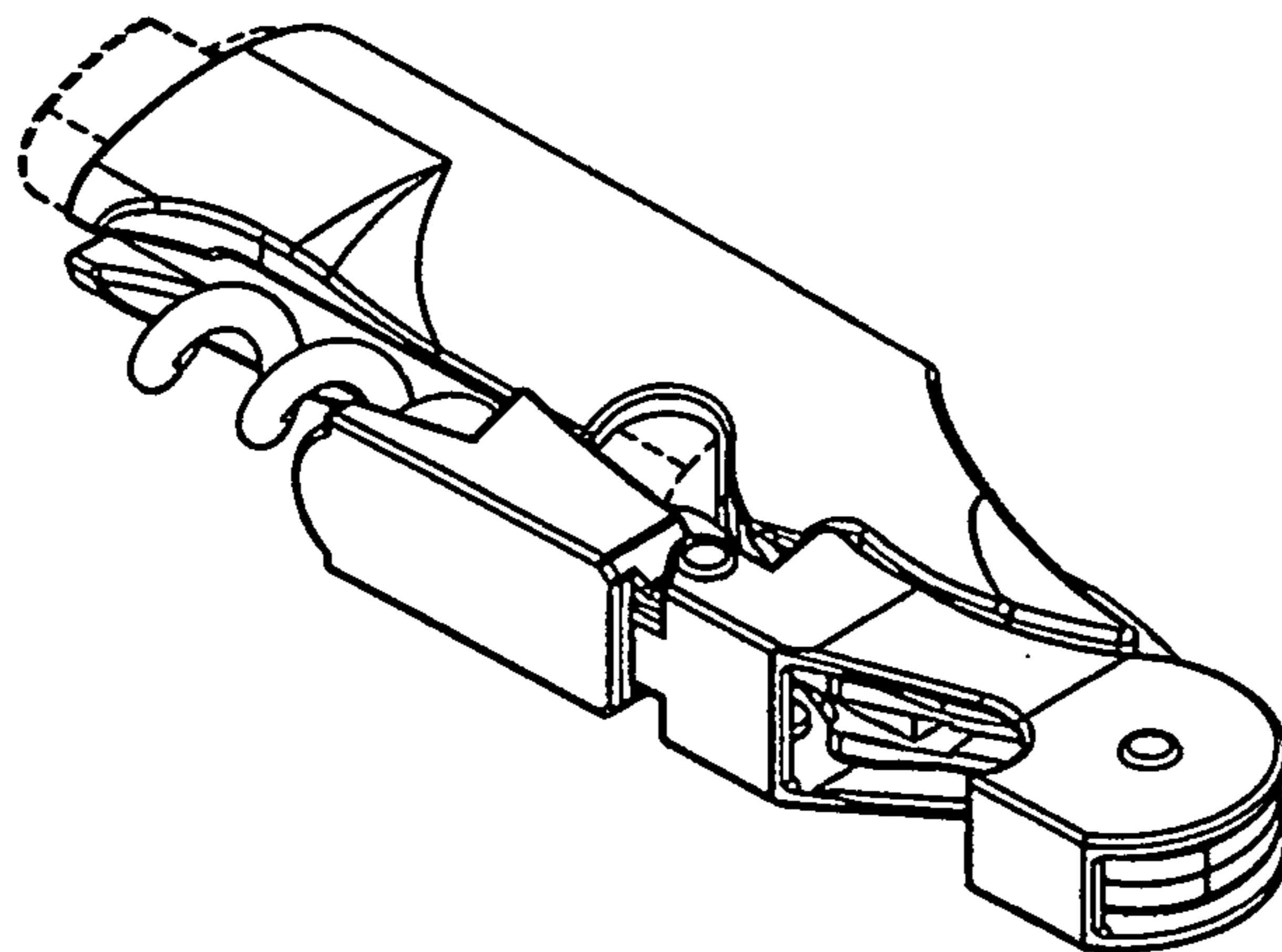


Figure 4