



US00D728334S

(12) **United States Design Patent**
Magiera

(10) **Patent No.:** **US D728,334 S**

(45) **Date of Patent:** **** May 5, 2015**

(54) **HAND TOOL**

D694,611 S * 12/2013 Yoakum D8/349

(71) Applicant: **David Magiera**, Arlington, TX (US)

* cited by examiner

(72) Inventor: **David Magiera**, Arlington, TX (US)

Primary Examiner — Randall Gholson

(73) Assignee: **Armored Closet LLC**, Arlington, TX (US)

(74) *Attorney, Agent, or Firm* — Scott L. Harper; Harper Washam LLP

(**) Term: **14 Years**

(57) **CLAIM**

The ornamental design for a hand tool, as shown and described.

(21) Appl. No.: **29/500,230**

DESCRIPTION

(22) Filed: **Aug. 22, 2014**

(51) **LOC (10) Cl.** **08-05**

(52) **U.S. Cl.**
USPC **D8/27; D8/17**

(58) **Field of Classification Search**
USPC D8/17, 18, 19, 21, 26, 27, 28, 105;
81/119, 120, 121.1, 124.3, 124.4,
81/125.1, 176.1, 176.2, 186
See application file for complete search history.

FIG. 1 is a perspective view of the hand tool of the present invention;
FIG. 2 is a front view of the hand tool of the present invention;
FIG. 3 is a rear view of the hand tool of the present invention;
FIG. 4 is a left side view of the hand tool of the present invention;
FIG. 5 is a right side view of the hand tool of the present invention;
FIG. 6 is a top view of the hand tool of the present invention;
and,
FIG. 7 is a bottom view of the hand tool of the present invention.

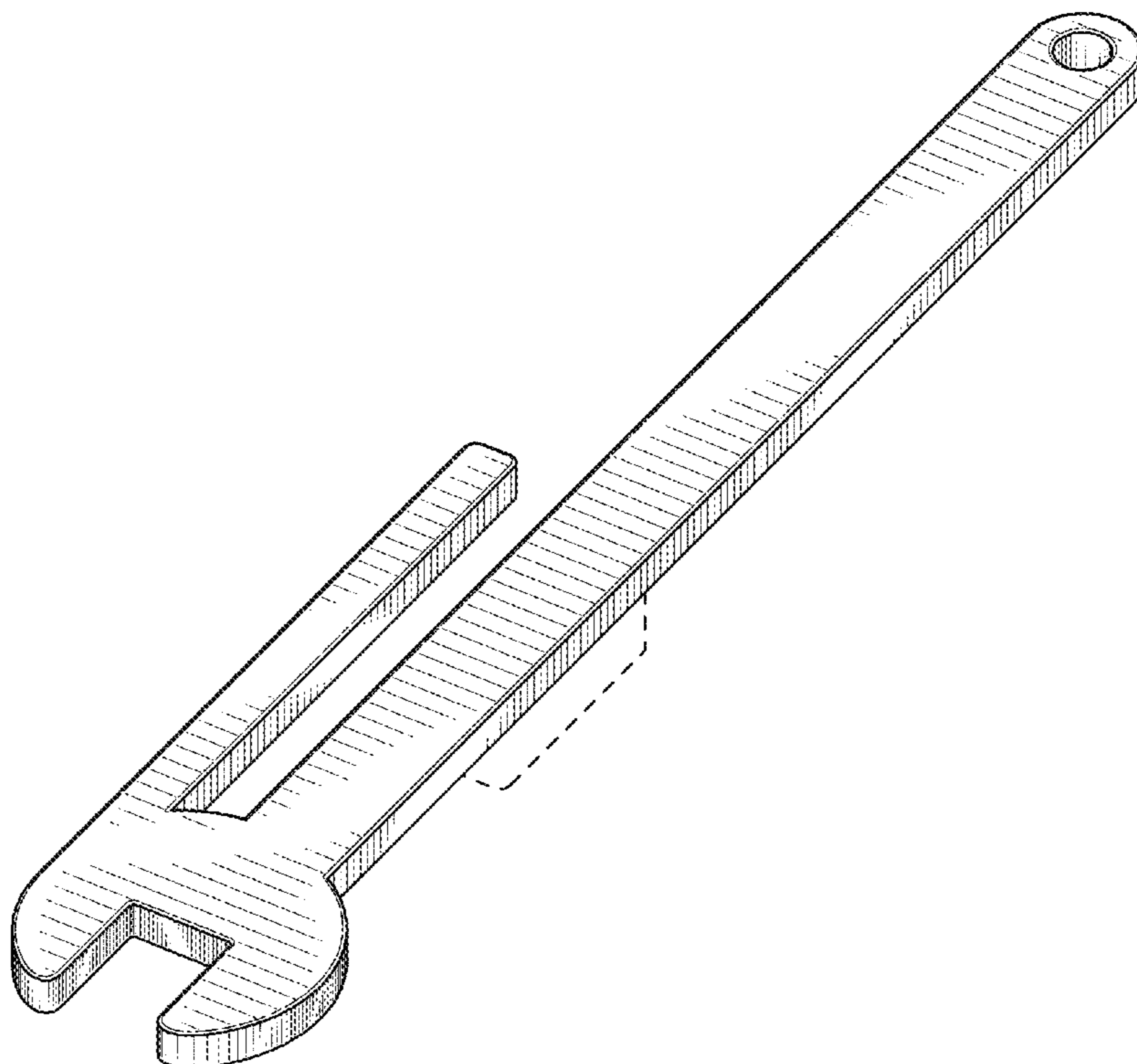
The unequal broken lines shown on the hand tool are for purposes of surface shading only and the evenly spaced broken lines showing the optional magnetic hanger form no part of the claimed design.

(56) **References Cited**

U.S. PATENT DOCUMENTS

D454,287	S	*	3/2002	Wolf	D8/40
6,637,299	B1	*	10/2003	Steele	81/124.5
D517,892	S	*	3/2006	Galyean	D8/99
D519,342	S	*	4/2006	Hartman et al.	D8/28
D675,076	S	*	1/2013	Oachs et al.	D8/17
D679,967	S	*	4/2013	Junyong et al.	D8/17

1 Claim, 4 Drawing Sheets



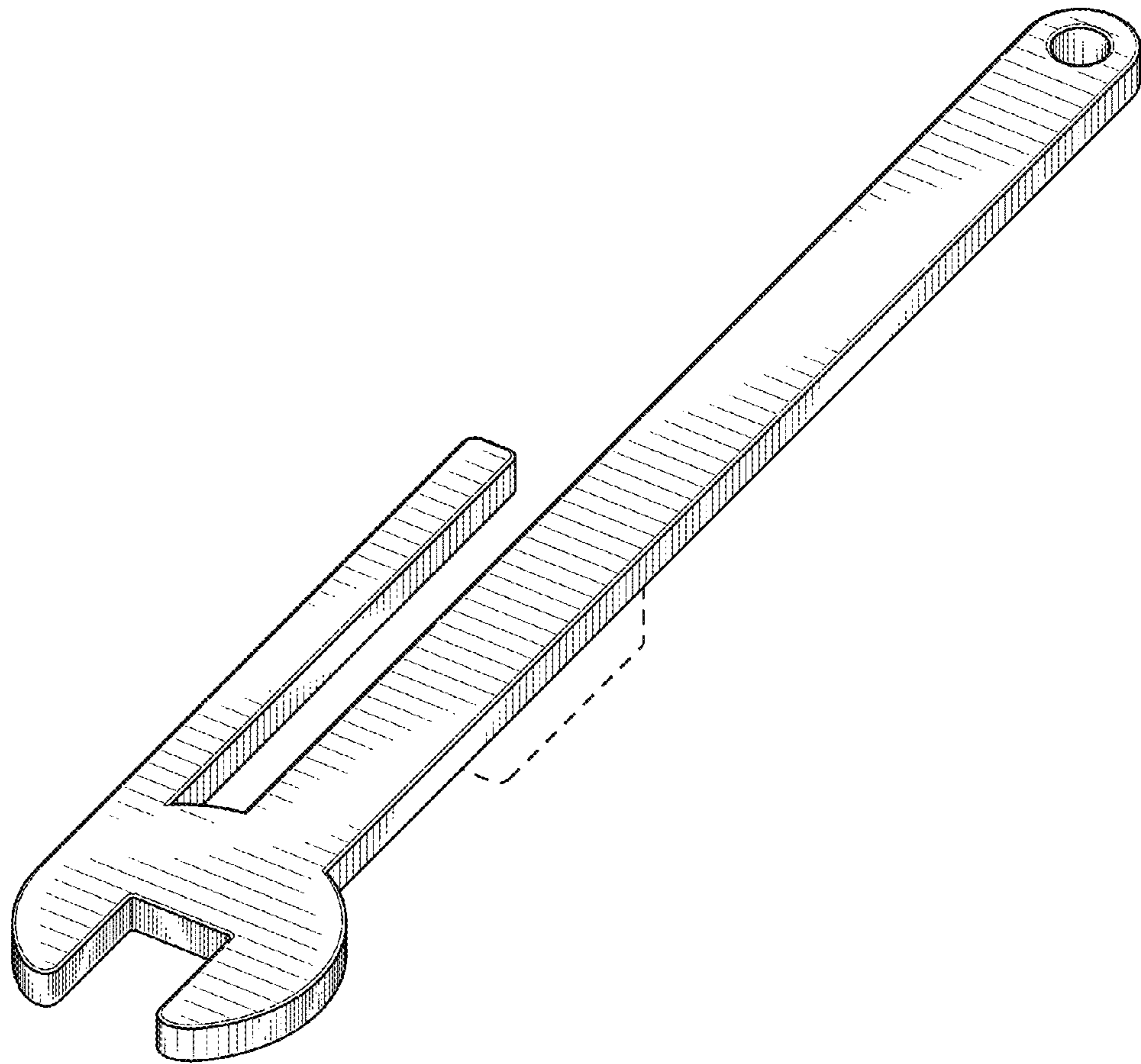


FIG. 1

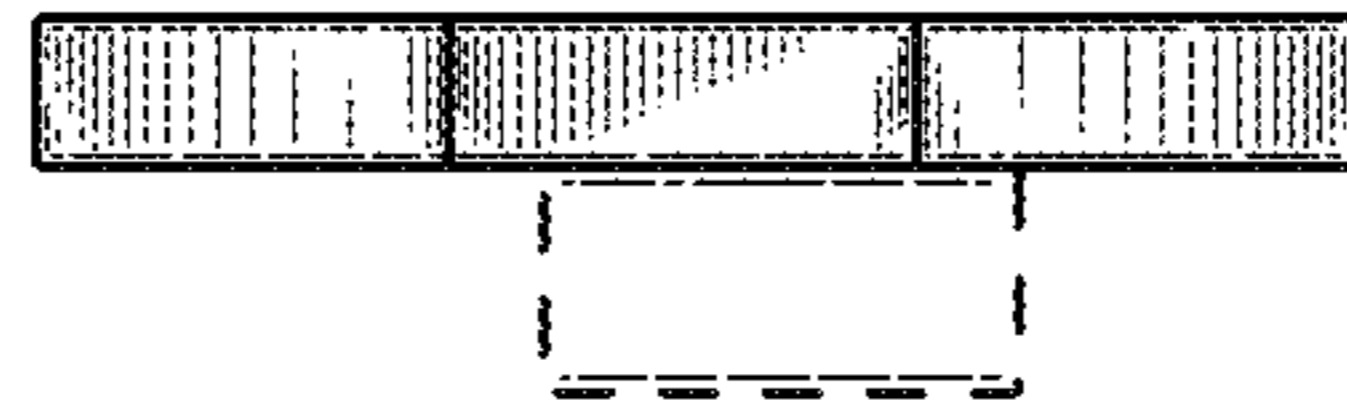


FIG. 2



FIG. 3



FIG. 4

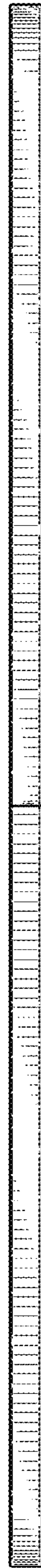


FIG. 5

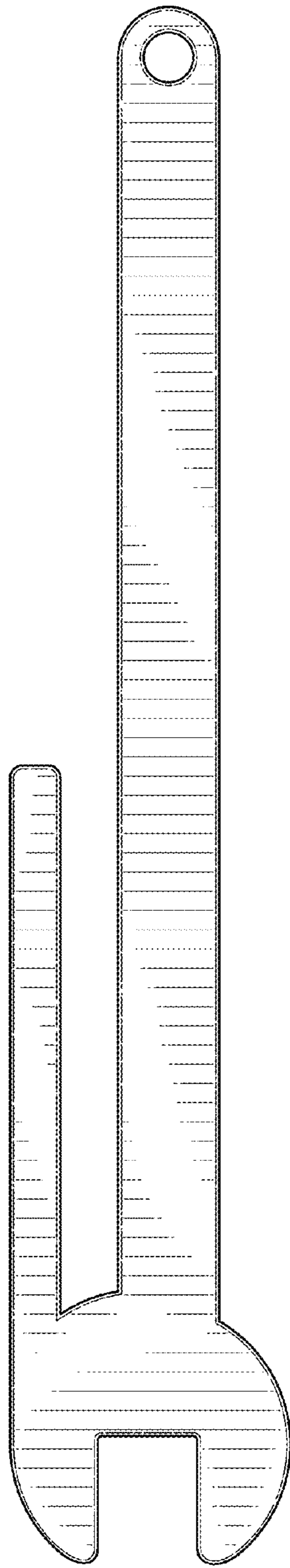


FIG. 6

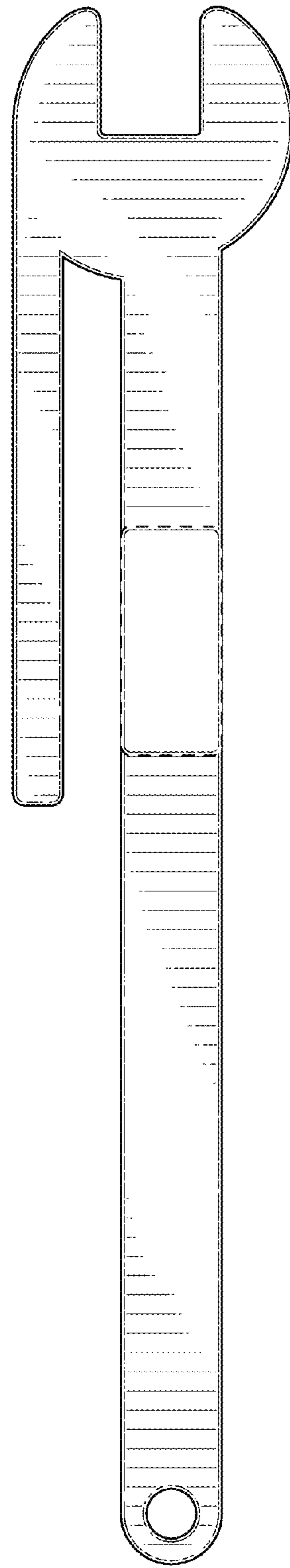


FIG. 7