



US00D728319S

(12) **United States Design Patent**
Dixon

(10) **Patent No.:** **US D728,319 S**

(45) **Date of Patent:** **** *May 5, 2015**

(54) **CHOPSTICK-TYPE UTENSIL**

(71) Applicant: **Rush Dixon**, Mount Pleasant, SC (US)

(72) Inventor: **Rush Dixon**, Mount Pleasant, SC (US)

(*) Notice: This patent is subject to a terminal disclaimer.

(**) Term: **14 Years**

(21) Appl. No.: **29/455,746**

(22) Filed: **May 23, 2013**

Related U.S. Application Data

(62) Division of application No. 29/438,122, filed on Nov. 26, 2012, now Pat. No. Des. 683,597.

(51) **LOC (10) Cl.** **07-03**

(52) **U.S. Cl.**
USPC **D7/643**; D7/642

(58) **Field of Classification Search**

CPC A01K 85/16; A01D 9/02; A01D 9/04;
A01D 9/06; A47G 21/00; A47G 21/004;
A47G 21/005; A47G 21/02; A47G 21/023;
A47G 21/04; A47G 21/06; A47G 21/08;
A47G 21/10; A47G 21/103; A47J 43/28;
A47J 43/281; A47J 43/282; A61F 13/10;
A61J 7/0023; B25G 1/00; B25G 1/01; B25G
1/02; B25G 3/00; B65D 75/56; B65D 75/563;
B65D 75/566; B67B 7/00; B67B 7/724;
B67B 7/73; A61B 17/30; G02C 13/006
USPC D7/368, 401.2, 642-645, 653-664, 669,
D7/675-677, 683, 686-689, 691, 693;
D8/107, 300-301; D22/117-118, 133,
D22/150; 16/110.1, 407, 430; 30/1, 137,
30/142-150, 322-329, 340, 342-345;
40/42.28; 294/25-26, 49, 55.5, 57,
294/99.2; 401/10

See application file for complete search history.

(56) **References Cited**

U.S. PATENT DOCUMENTS

2,055,314	A	*	9/1936	Seburger	401/10
2,411,825	A	*	11/1946	Ferguson	294/99.2
D232,634	S	*	9/1974	May	D22/150
4,044,492	A	*	8/1977	Ingram	43/42.28
D376,834	S	*	12/1996	Moore	D22/133
5,911,462	A	*	6/1999	Hui	294/99.2
D526,862	S	*	8/2006	Lion et al.	D7/686
D533,036	S	*	12/2006	Seiple	D7/693
D539,615	S	*	4/2007	Weaver	D7/643
D602,750	S	*	10/2009	Holcomb et al.	D7/693
D677,997	S	*	3/2013	Costa	D7/643
D683,597	S	*	6/2013	Dixon	D7/642
D705,613	S	*	5/2014	Dixon	D7/642

* cited by examiner

Primary Examiner — Ricky Pham

(74) *Attorney, Agent, or Firm* — QuickPatents; Kevin Prince

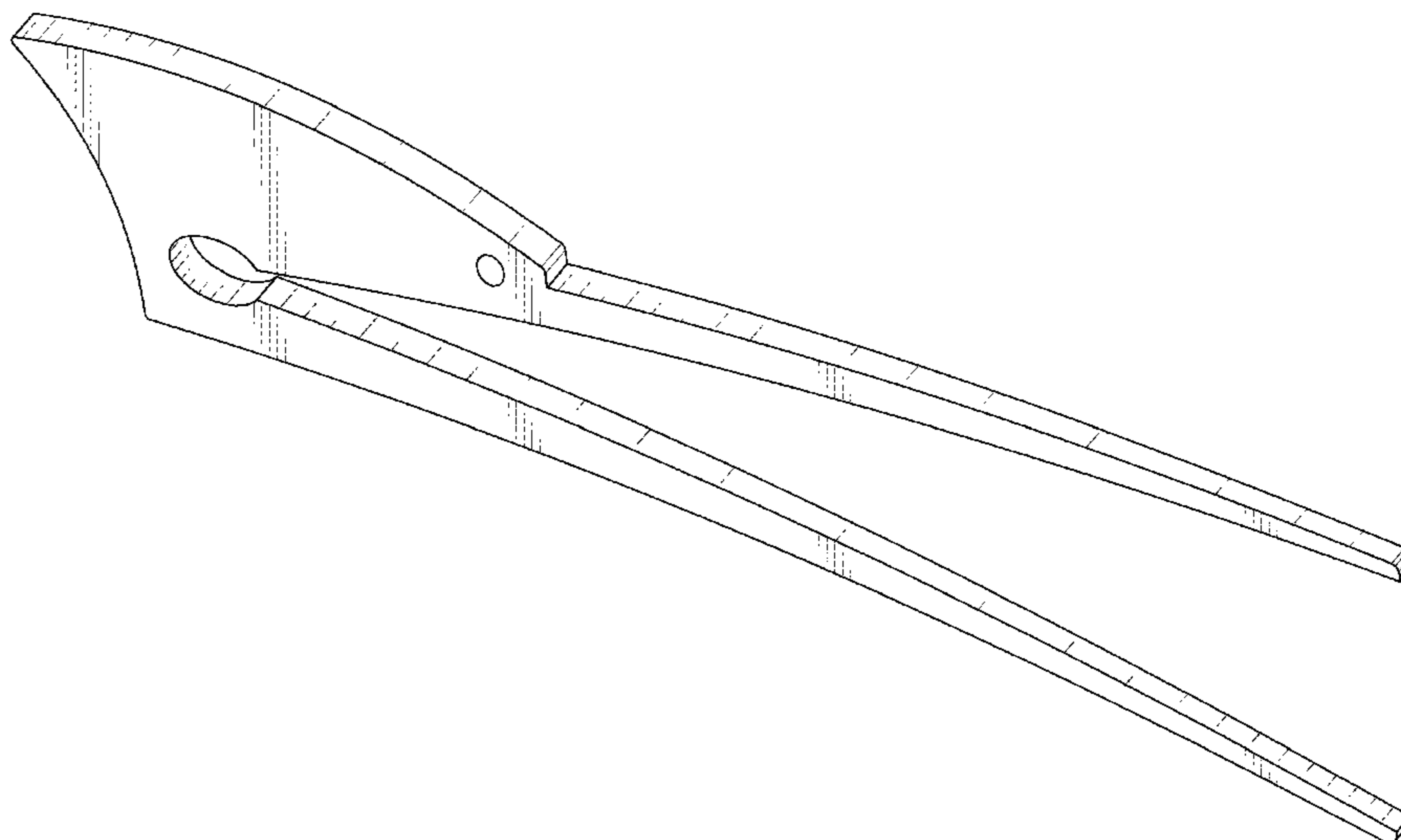
(57) **CLAIM**

I claim the ornamental design for a chopstick-type utensil, as shown and described.

DESCRIPTION

FIG. 1 is a perspective view of a chopstick-type utensil, showing a first embodiment of my new design; FIG. 2 is a front elevational view of FIG. 1; FIG. 3 is a rear elevational view of FIG. 1; FIG. 4 is a right-side elevational view of FIG. 1, the left-side elevational view being a mirror image thereof; FIG. 5 is a top plan view of FIG. 1; and, FIG. 6 is a bottom plan view of FIG. 1.

1 Claim, 3 Drawing Sheets



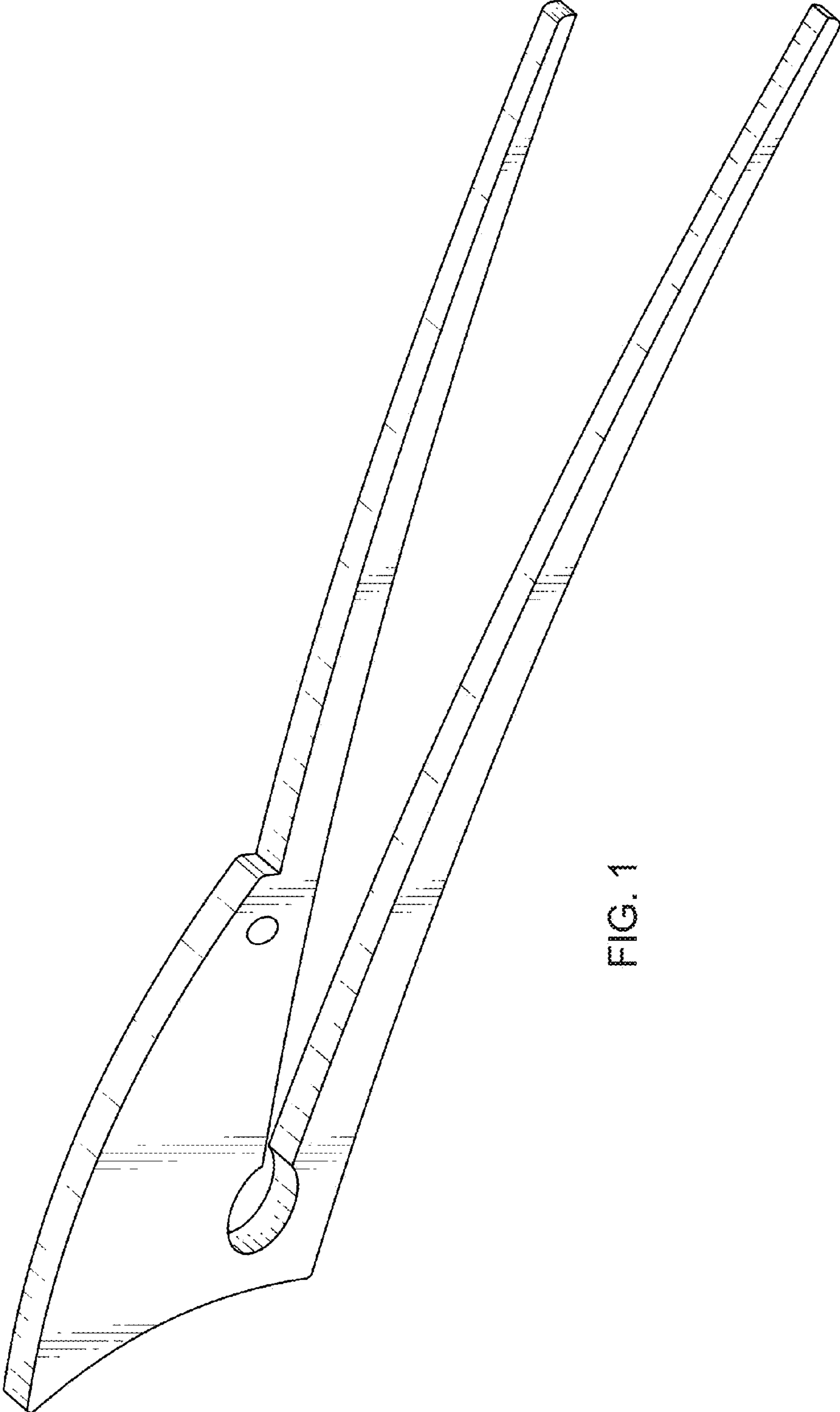


FIG. 1

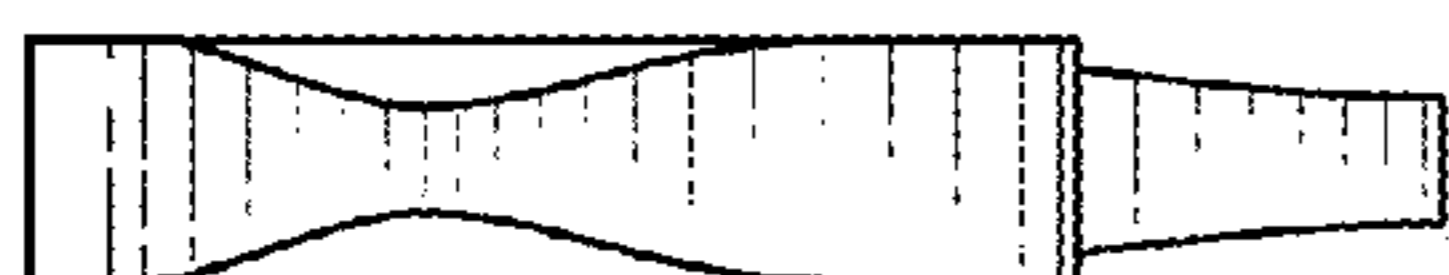


FIG. 2

FIG. 3

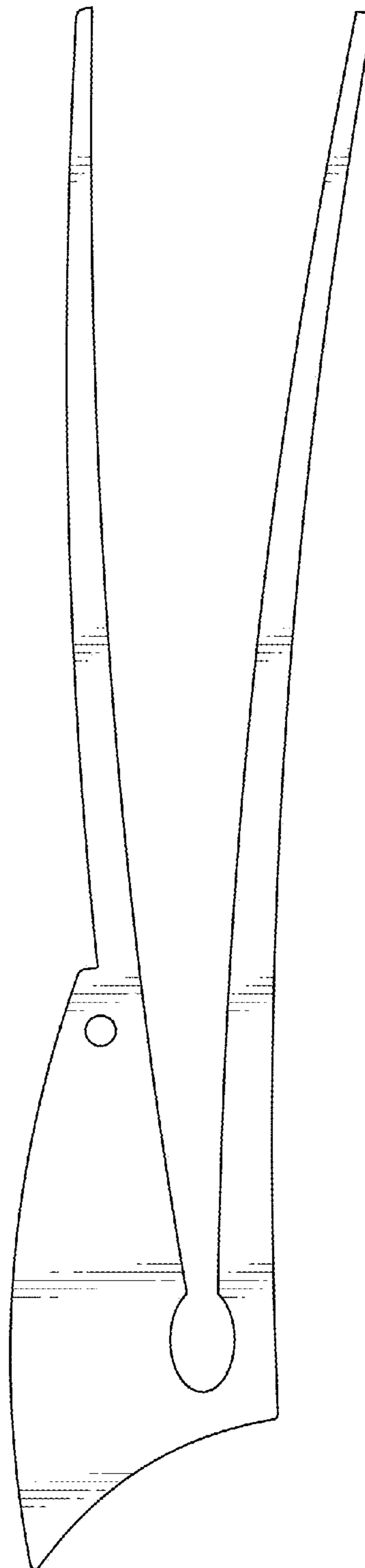


FIG. 4

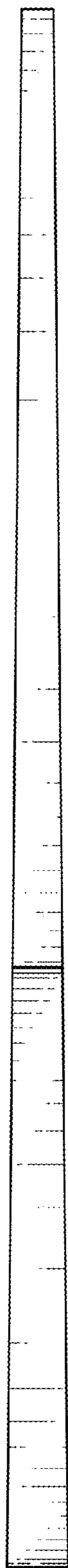


FIG. 5

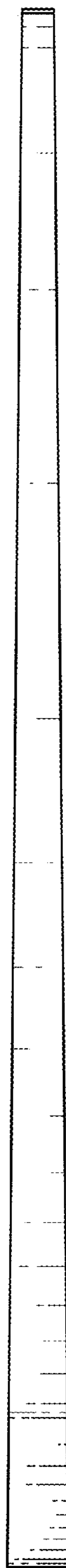


FIG. 6